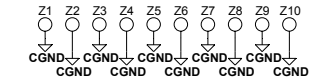
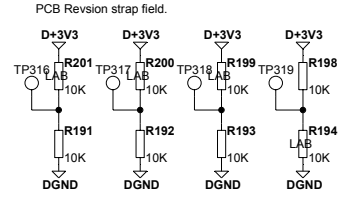
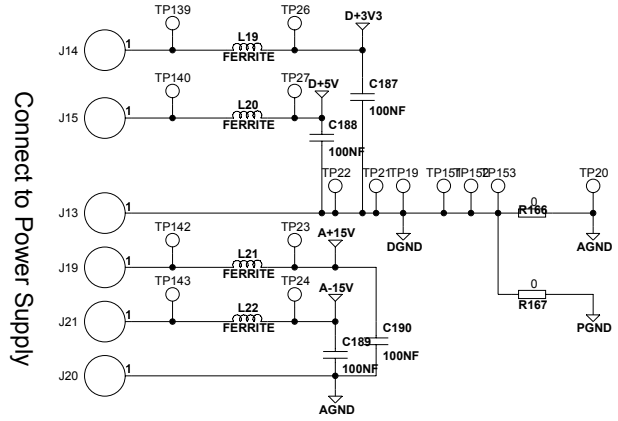
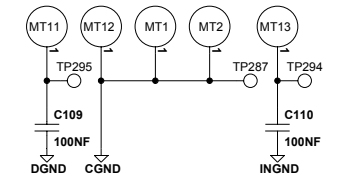
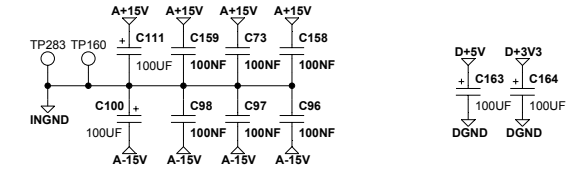
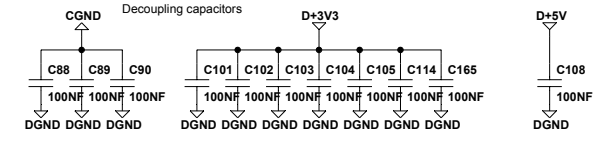
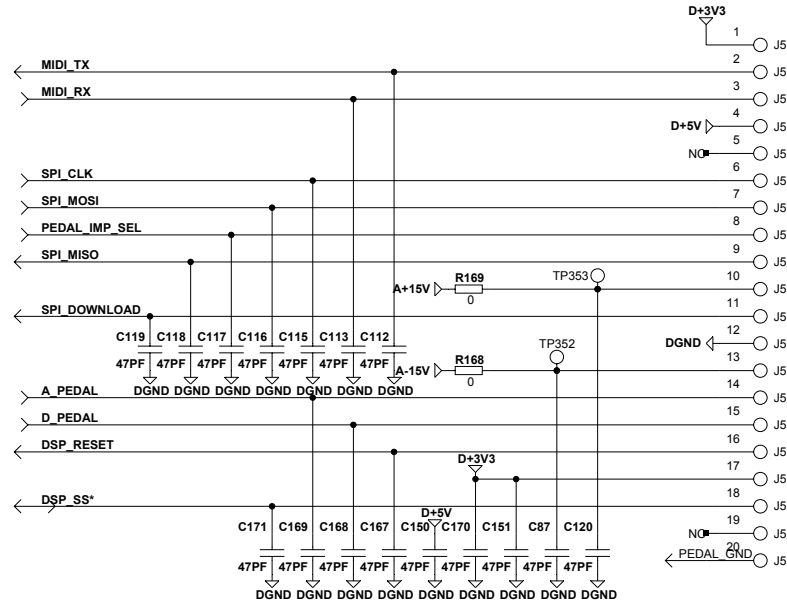


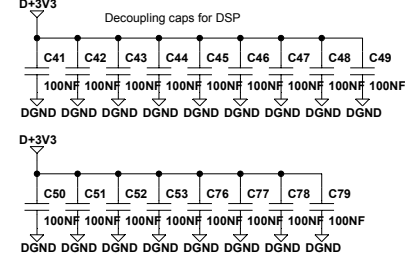
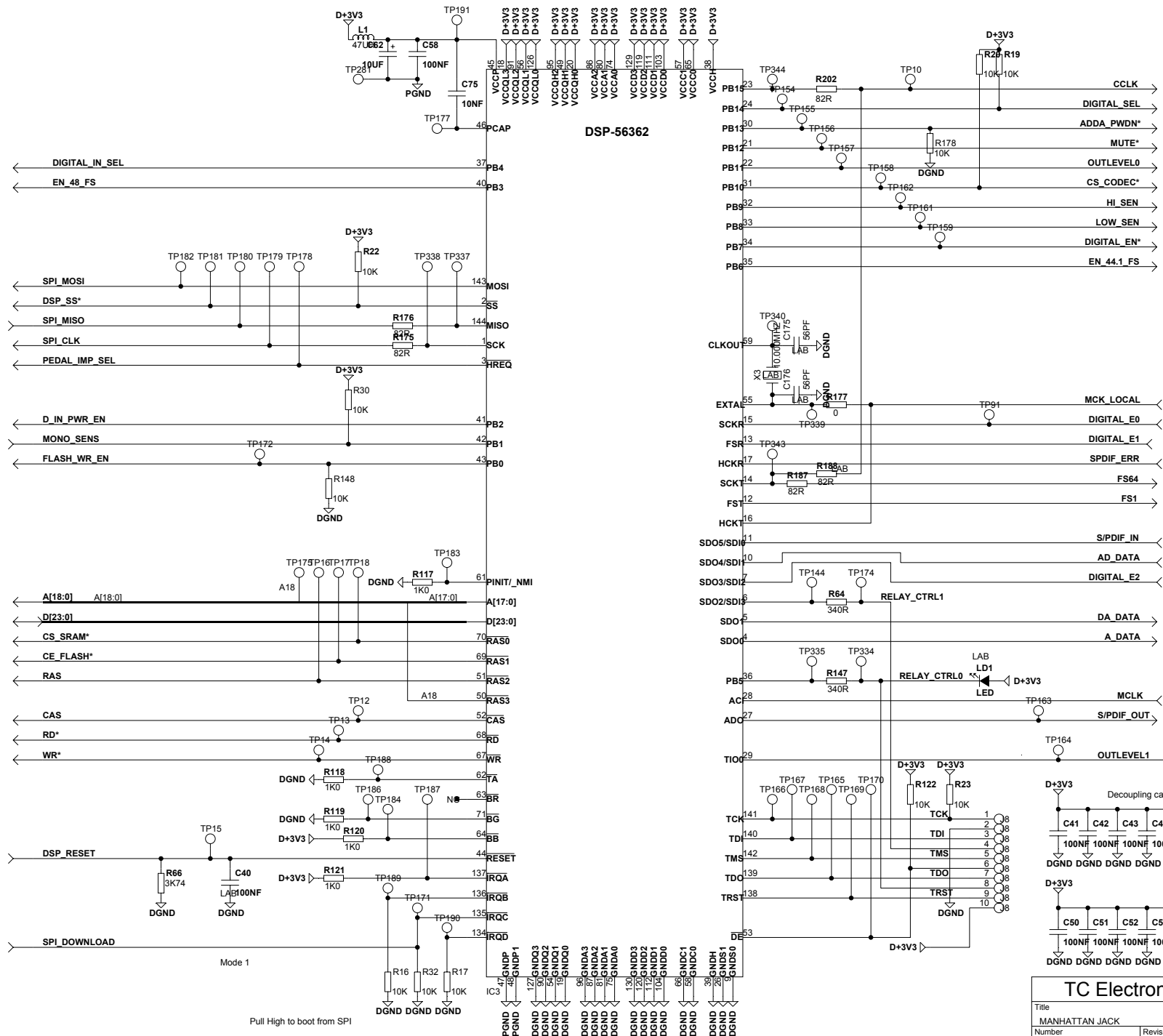
Manhattan Mainboard PCB
 M10

TC Electronic A/S		Designer MAR.HK
Title MANHATTAN JACK		Module title BLOCK LEVEL SCHEMATIC
Number P16001	Revision 6BB	Previous page XX
Date 3-10-2004 14:24	Filename MAINBOARD	Page / of 1 / 13

Connect to Front

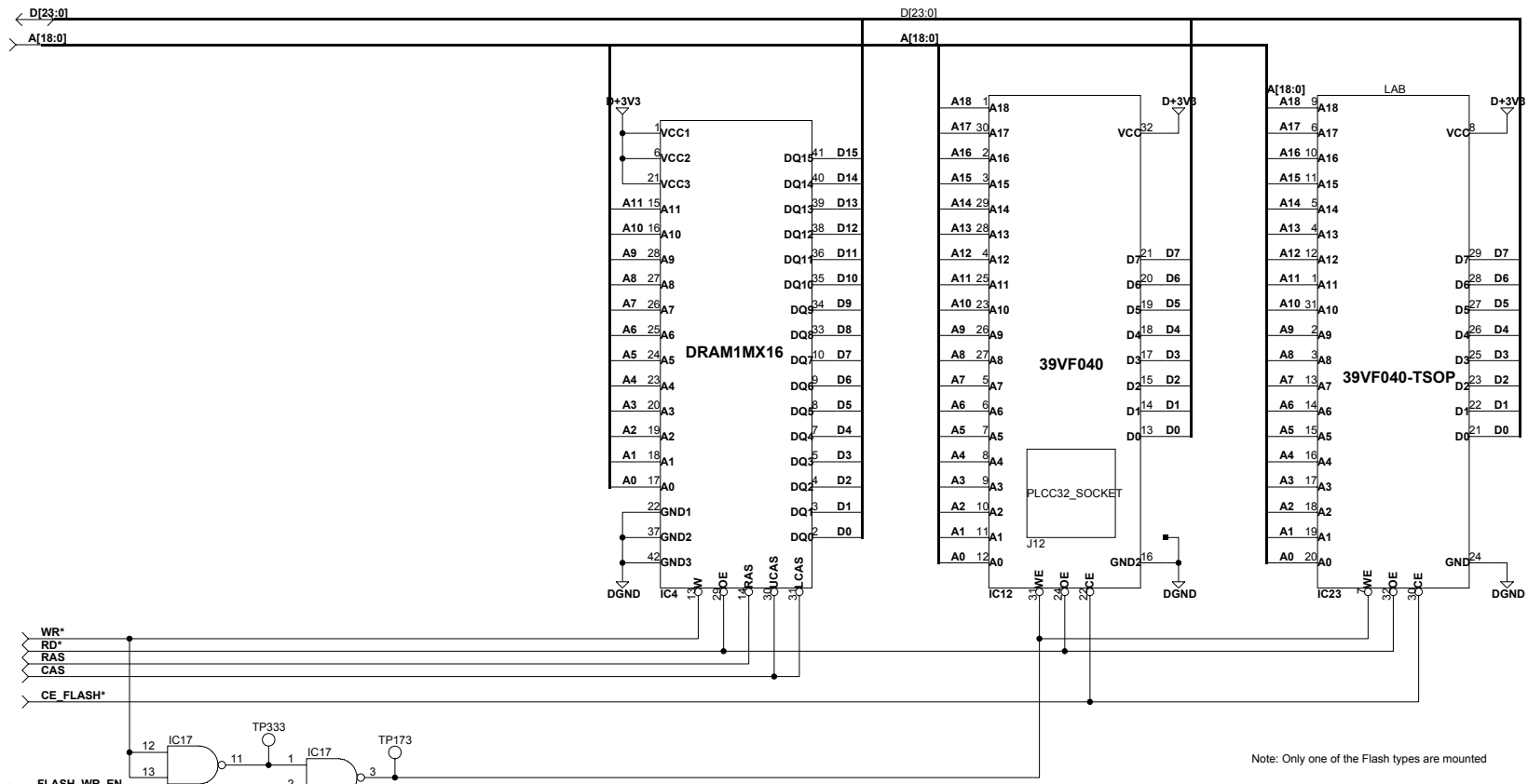
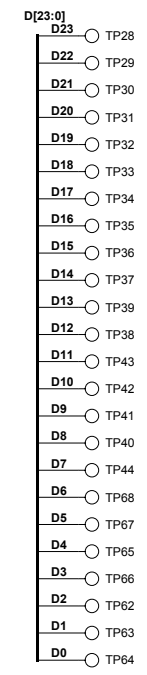
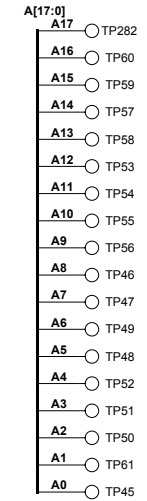
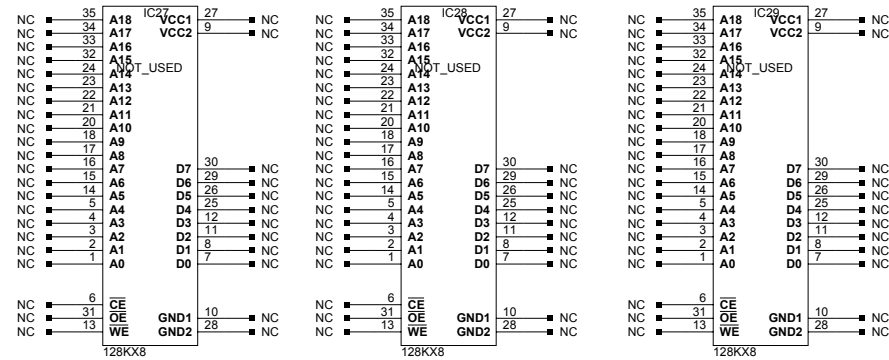


Title TC Electronic A/S		Designer MAR
Module title MANHATTAN JACK		INTERFACE TO FRONT AND POWER
Number P16001	Revision 6BB	Previous page 1
Date 3-10-2004 14:16	Filename INTERFACE	Page / of 2 / 13



Title MANHATTAN JACK		Module title DSP		Designer MAR
Number P16001	Revision 6BB	Filename DSP		Previous page 1
Date 3-10-2004 14:09	Page / of 3 / 13			

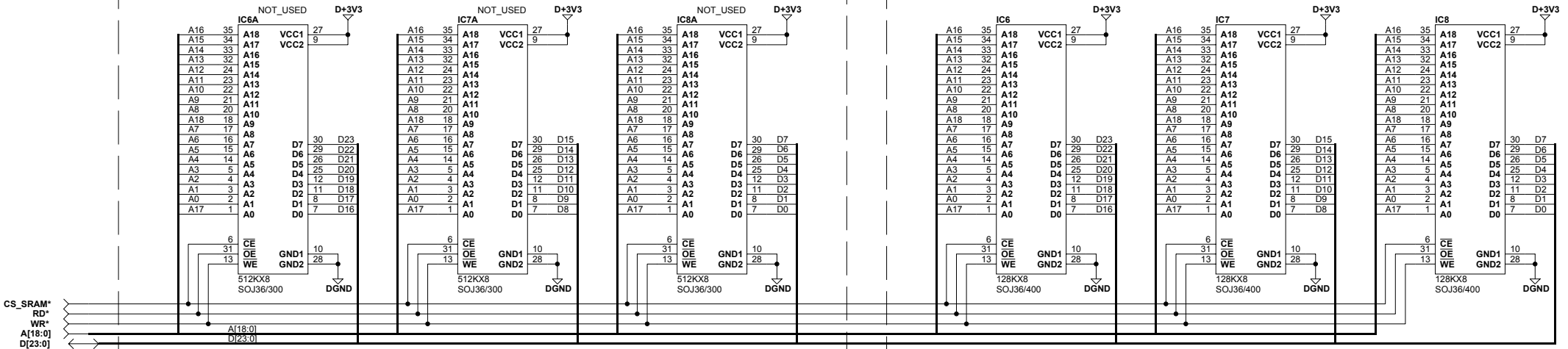
These devices defines the SRAM on the Partlist



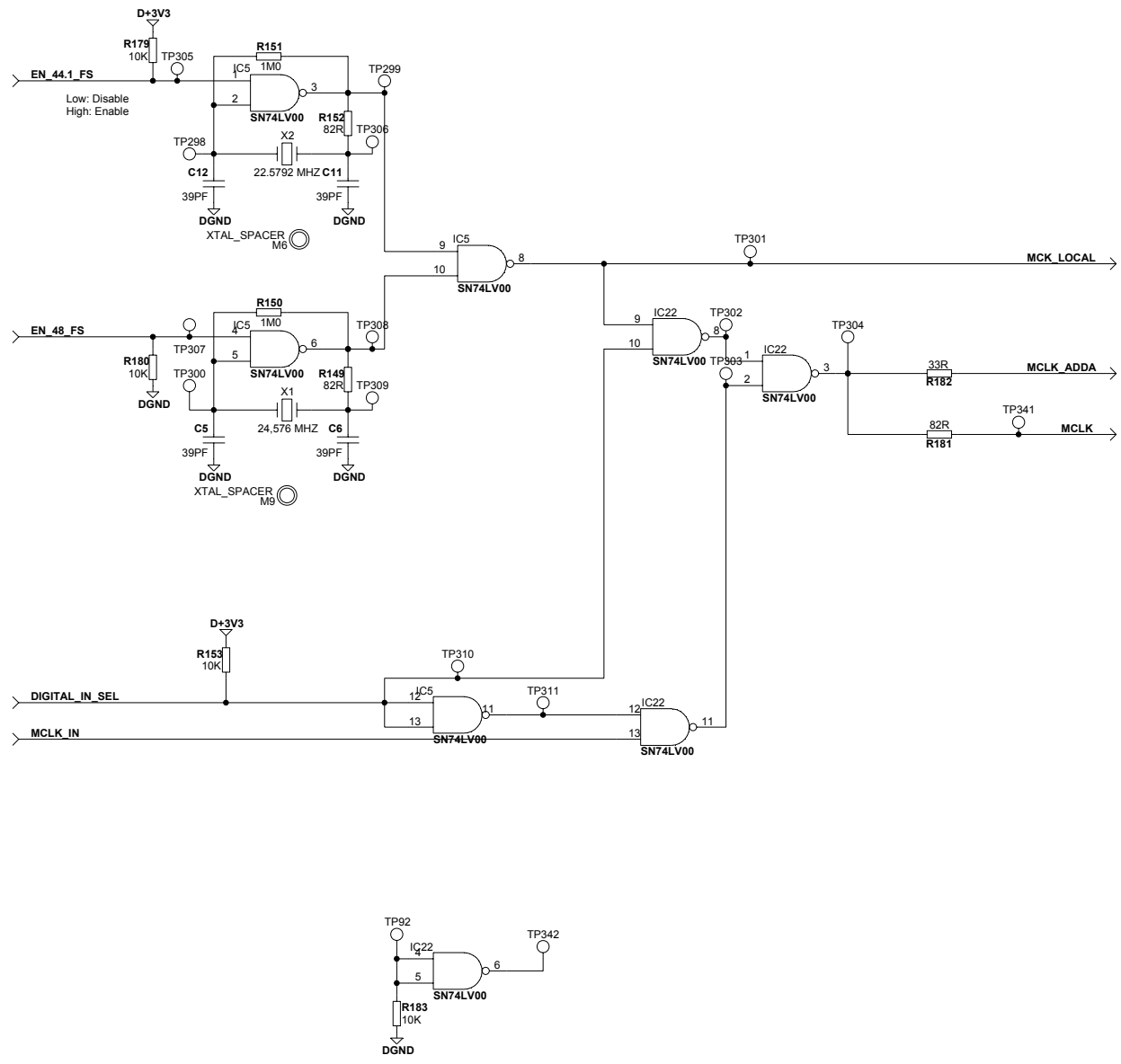
Note: Only one of the Flash types are mounted

SOJ36/300 mil - 128k/512k

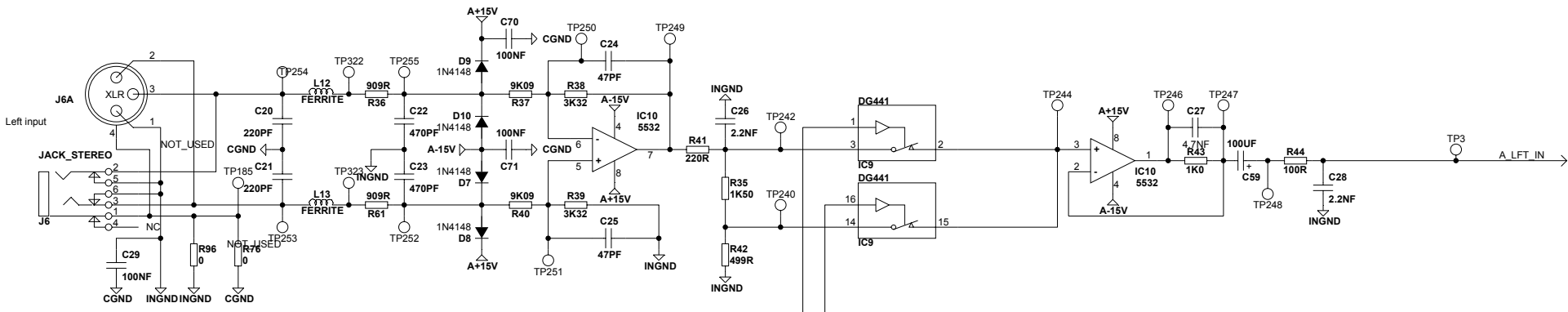
SOJ36/400 mil - 128k/512k



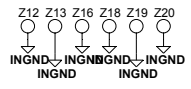
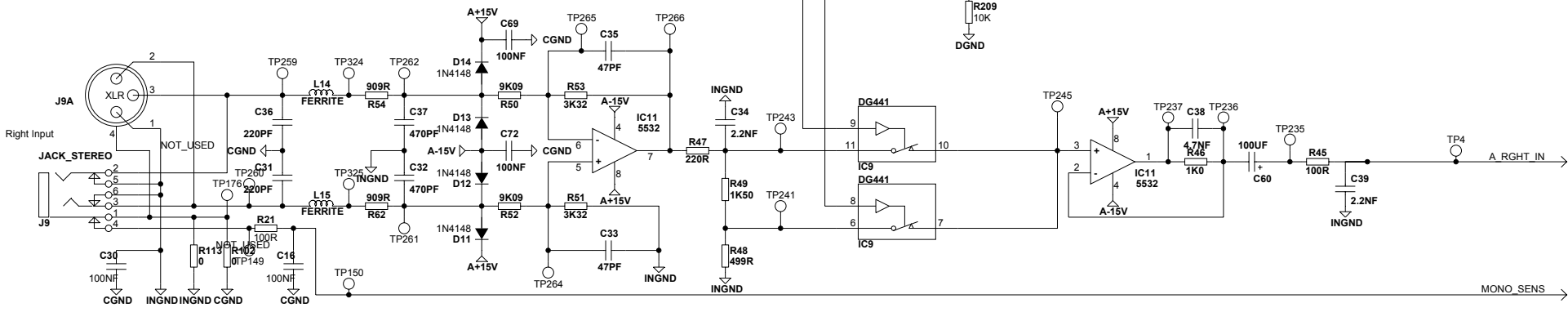
These SRAM devices defines the PCB layout



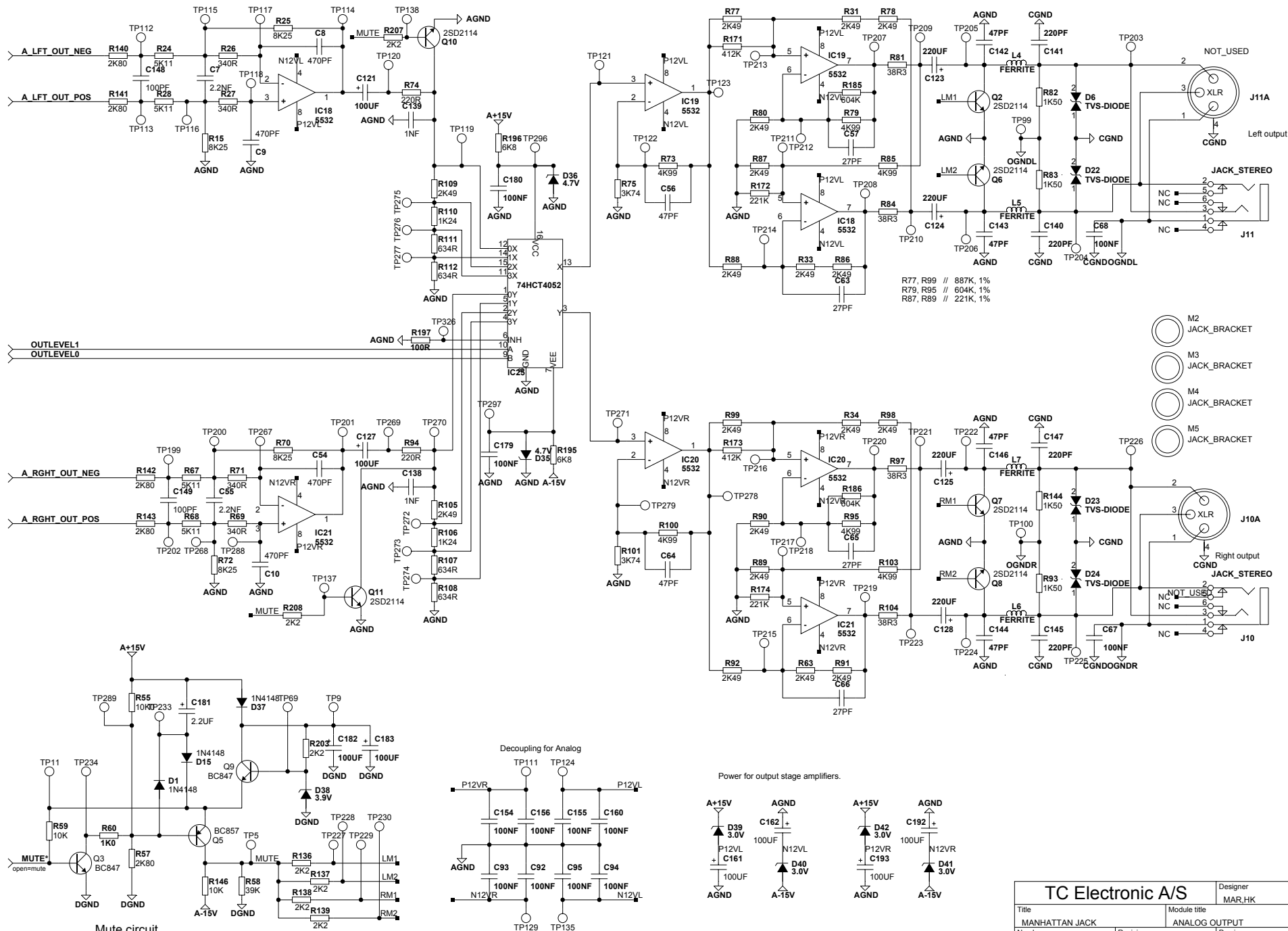
Title MANHATTAN JACK		Module title CLOCK		Designer MAR
Number P16001	Revision 6BB	Previous page 1		
Date 3-10-2004 14:14	Filename CLOCK	Page / of 6 / 13		



JACK version: R96 and R113 (0 ohm) mounted.
 XLR version: R76 and R102 (0 ohm) mounted



Title MANHATTAN JACK		Designer HK, MAR
Module title ANALOG INPUT		Previous page 1
Number P16001	Revision 6BB	Page / of 7 / 12
Date 3-10-2004 14:13	Filename ANALOG_IN	



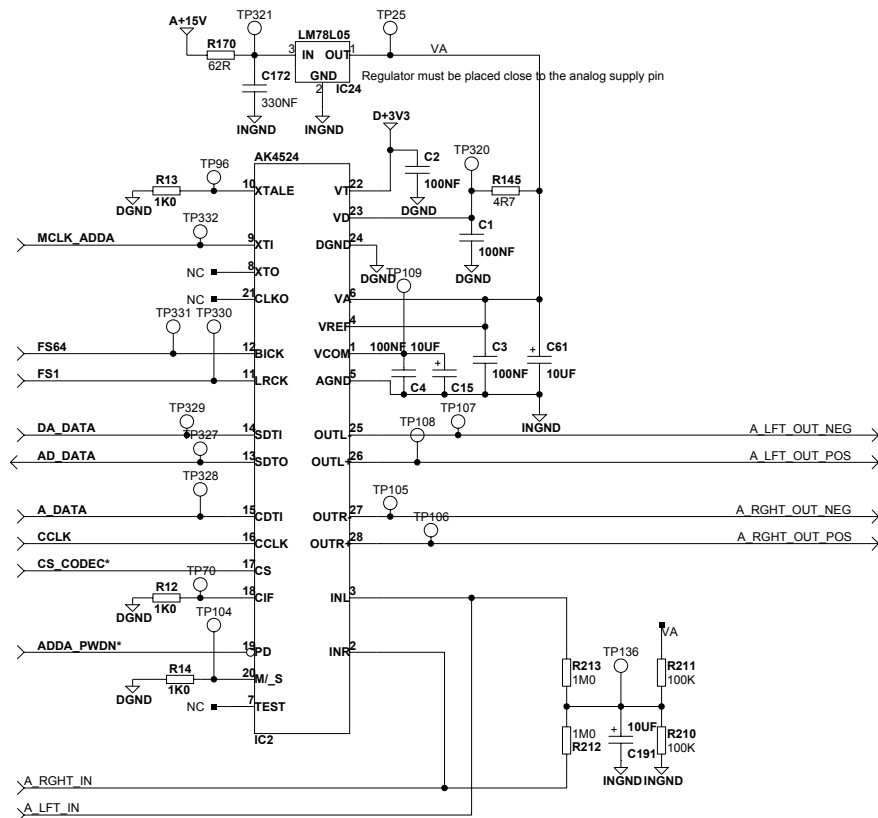
- M2 JACK_BRACKET
- M3 JACK_BRACKET
- M4 JACK_BRACKET
- M5 JACK_BRACKET

Mute circuit

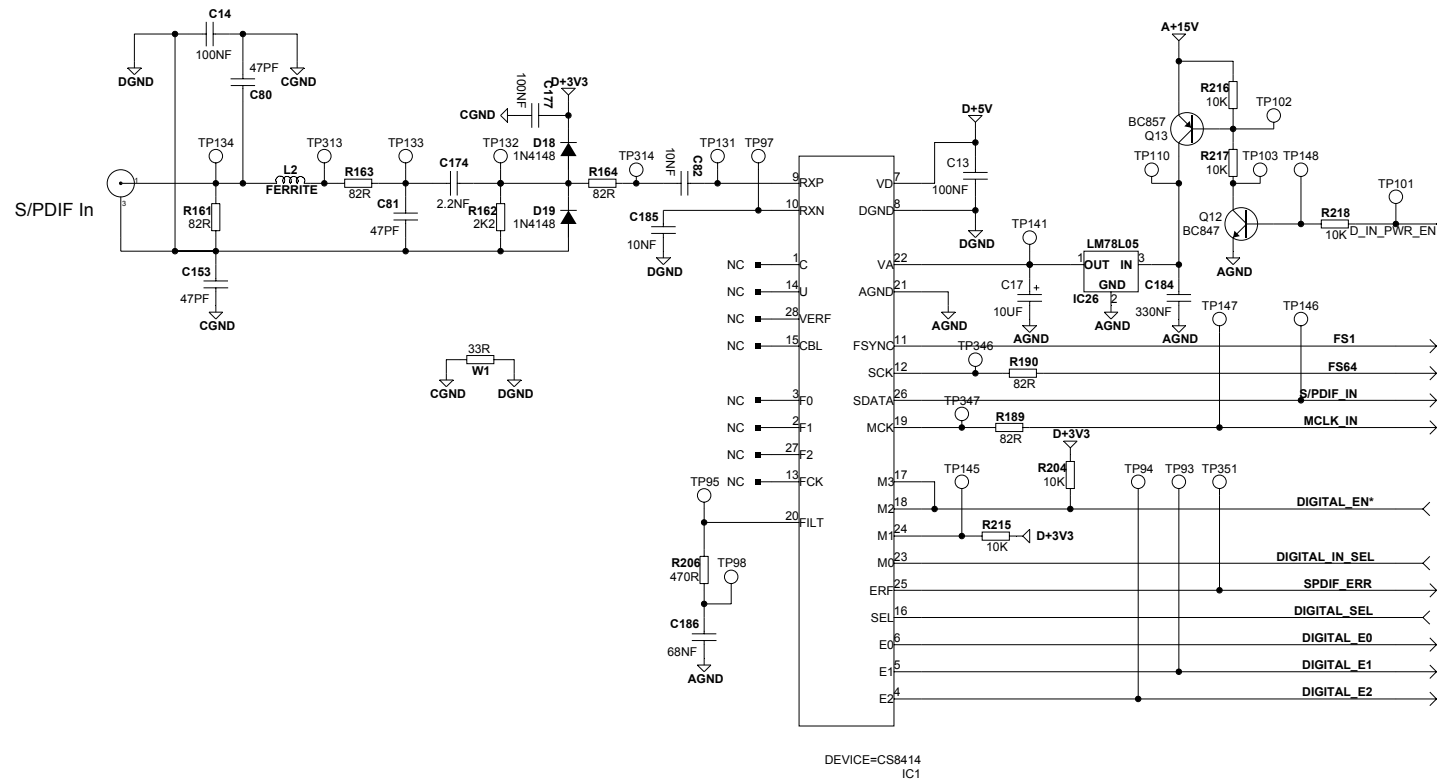
Decoupling for Analog

Power for output stage amplifiers.

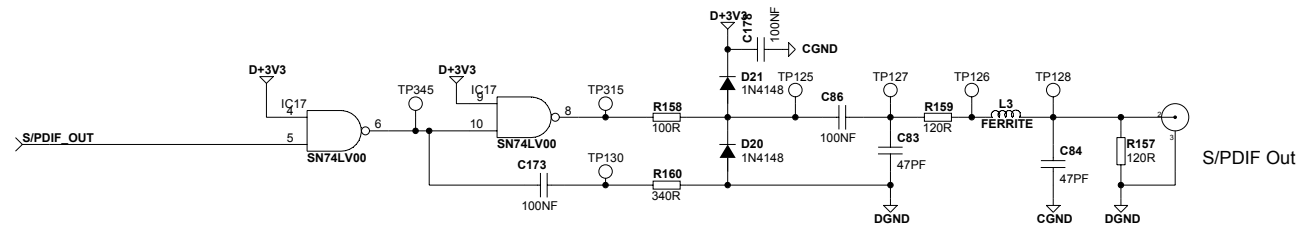
TC Electronic A/S		Designer MAR.HK
Title MANHATTAN JACK	Module title ANALOG OUTPUT	
Number P16001	Revision 6BB	Previous page 1
Date 3-10-2004 14:15	Filename ANALOG_OUT	Page / of 9 / 13



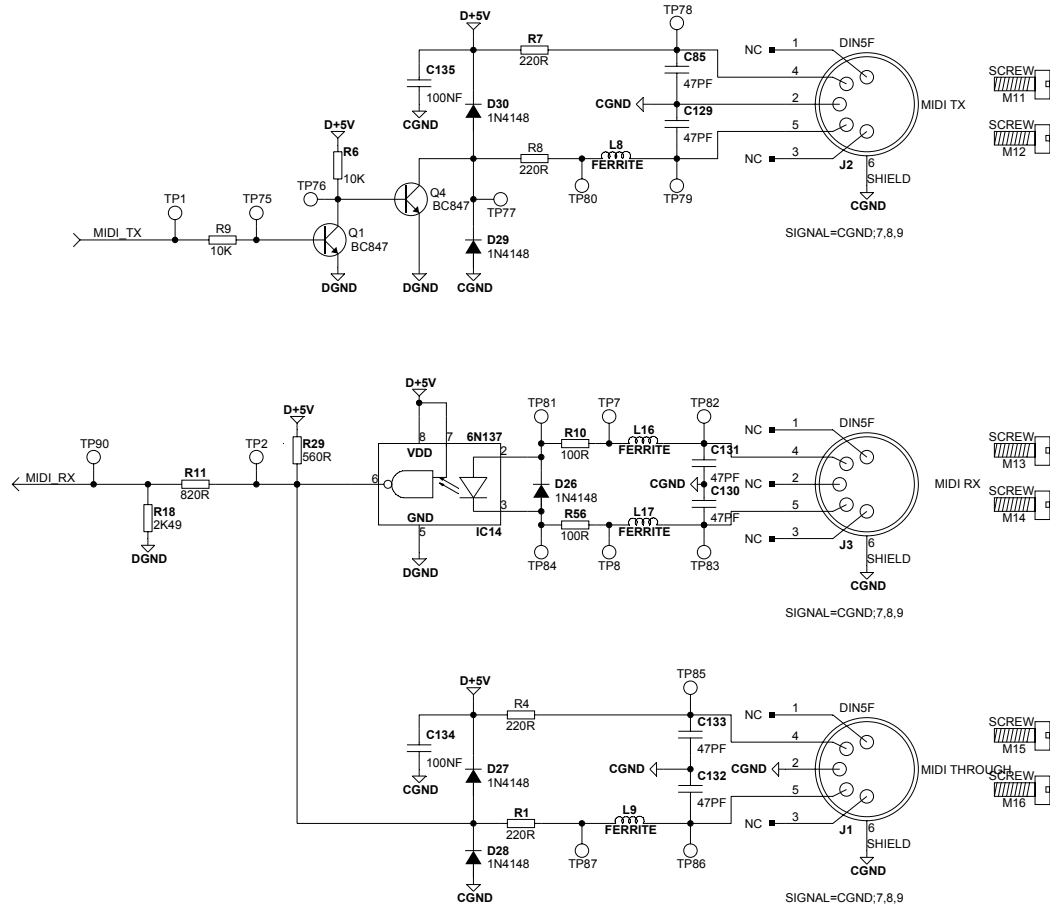
TC Electronic A/S		Designer MAR
Title MANHATTAN JACK		Module title CODEC
Number P16001	Revision 6BB	Previous page 1
Date 3-10-2004 14:12	Filename CODEC	Page / of 8 / 13



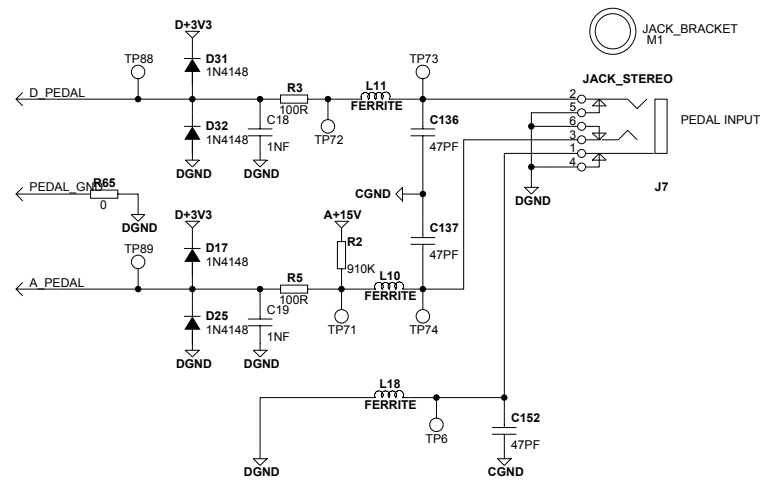
Title MANHATTAN JACK		Module title DIGITAL INPUT		Designer MAR
Number P16001	Revision 6BB	Previous page 1		
Date 3-10-2004 14:14	Filename DIGITAL_IN	Page / of 10 / 13		



Title MANHATTAN JACK		Module title DIGITAL OUTPUT		Designer MAR
Number P16001	Revision 6BB	Previous page 1		
Date 3-10-2004 14:15	Filename DIGITAL_OUT	Page / of 11 / 13		



Title		Designer
MANHATTAN JACK		MAR
Module title		
MIDI INTERFACE		
Number	Revision	Previous page
P16001	6BB	1
Date	Filename	Page / of
3-10-2004 14:16	MIDI	12 / 13



Title MANHATTAN JACK		Module title PEDAL INTERFACE		Designer MAR
Number P16001	Revision 6BB	Previous page 1		
Date 3-10-2004 14:16	Filename PEDAL	Page / of 13 / 13		