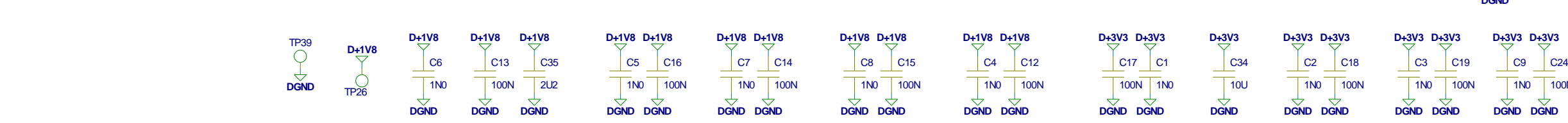
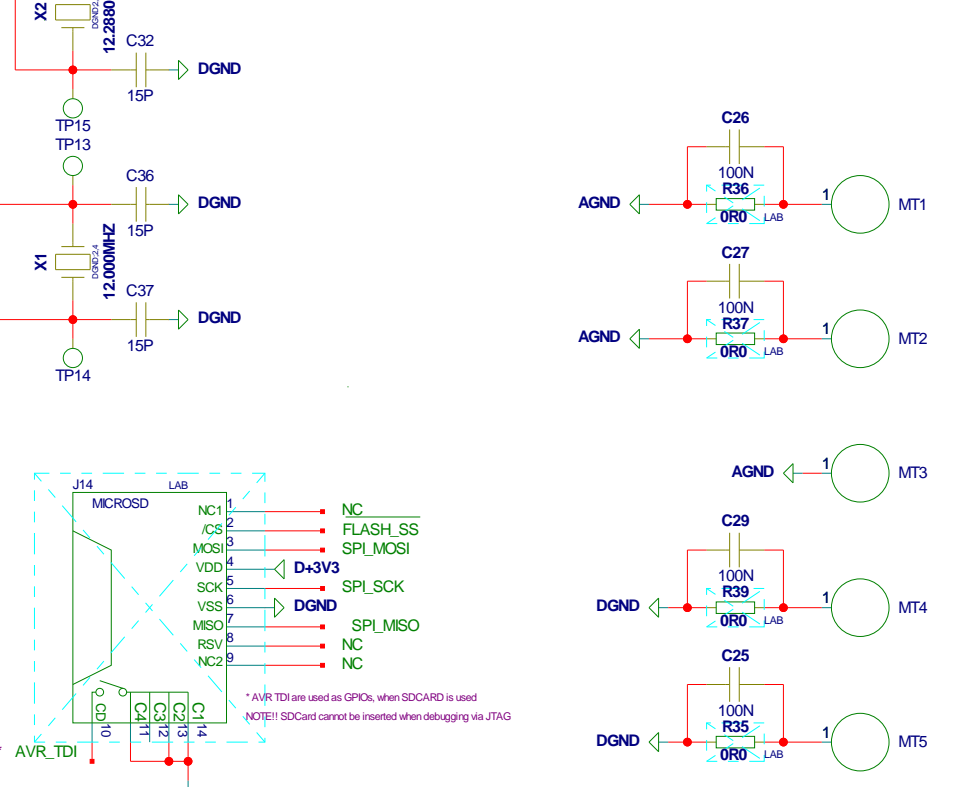
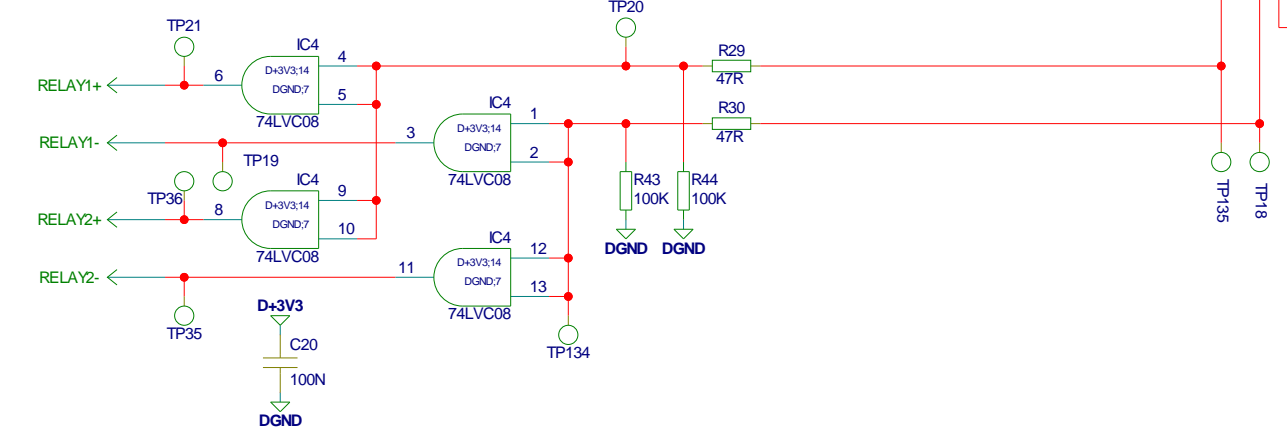
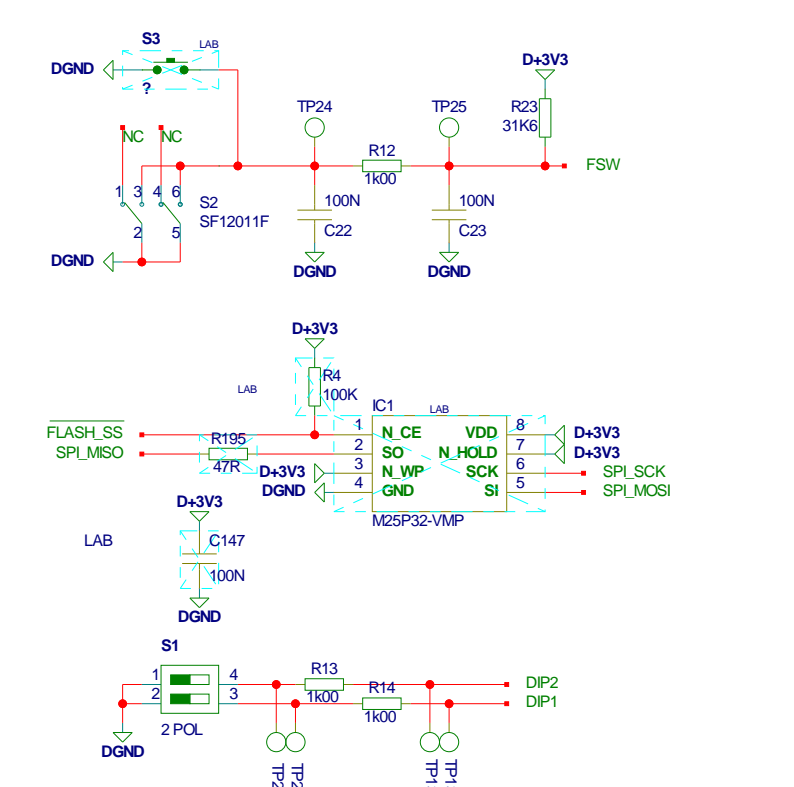
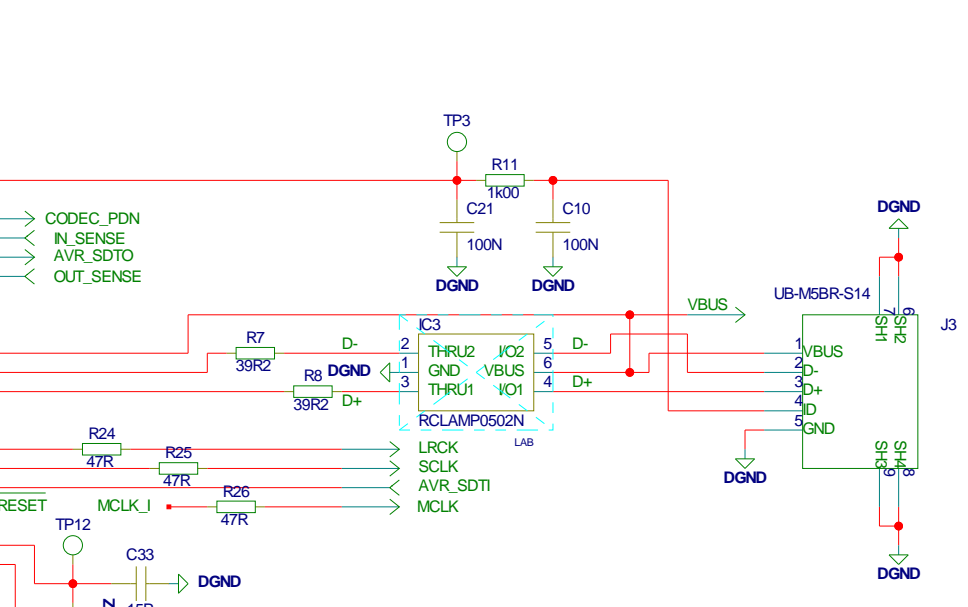
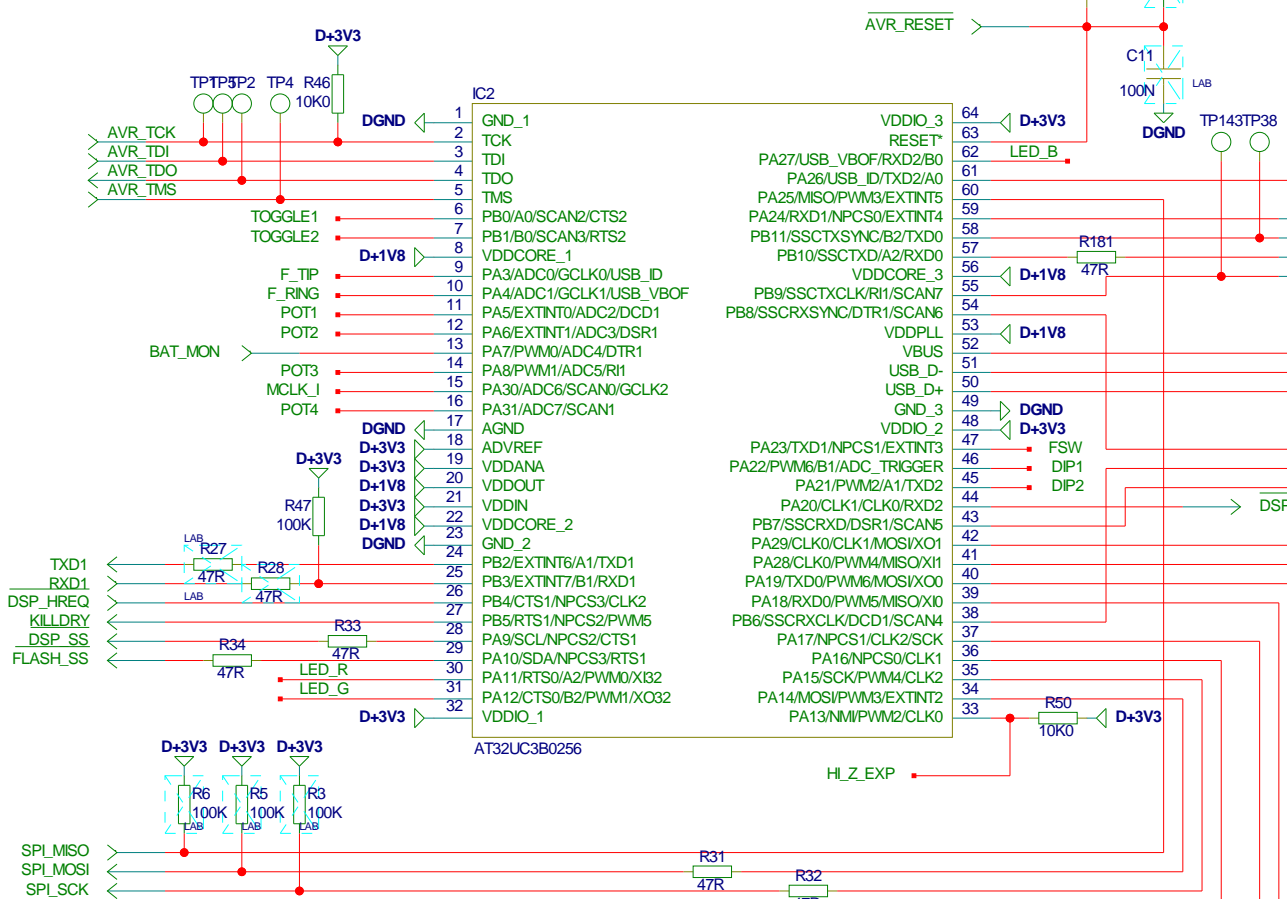
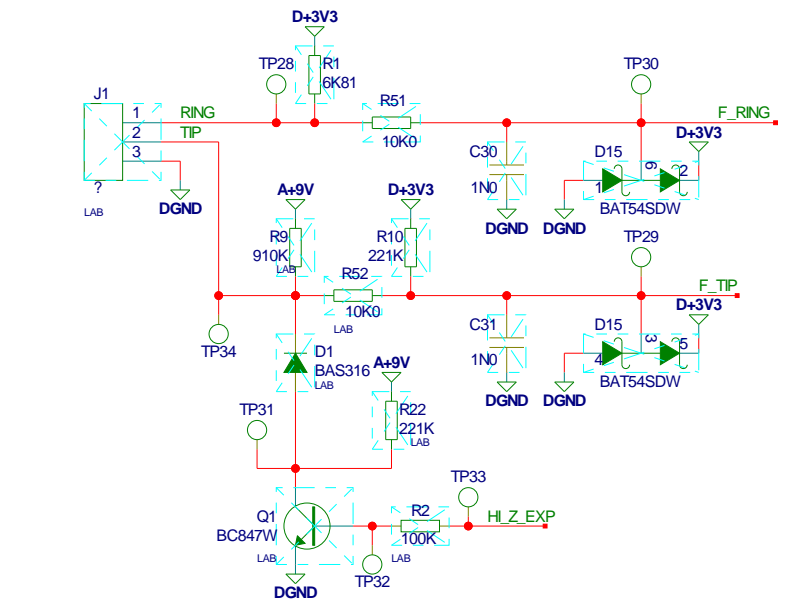
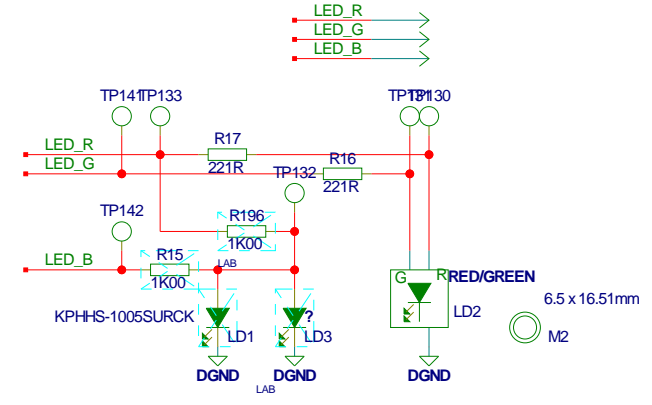
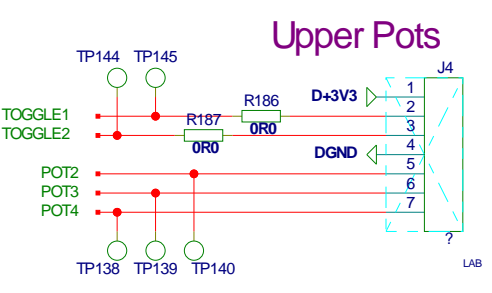
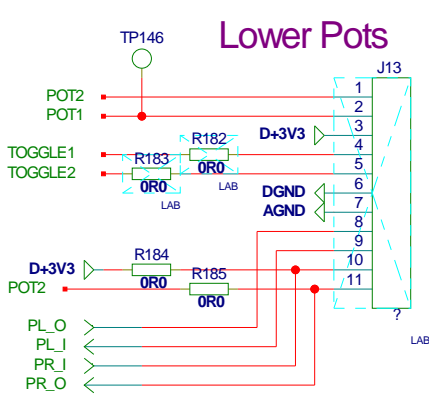


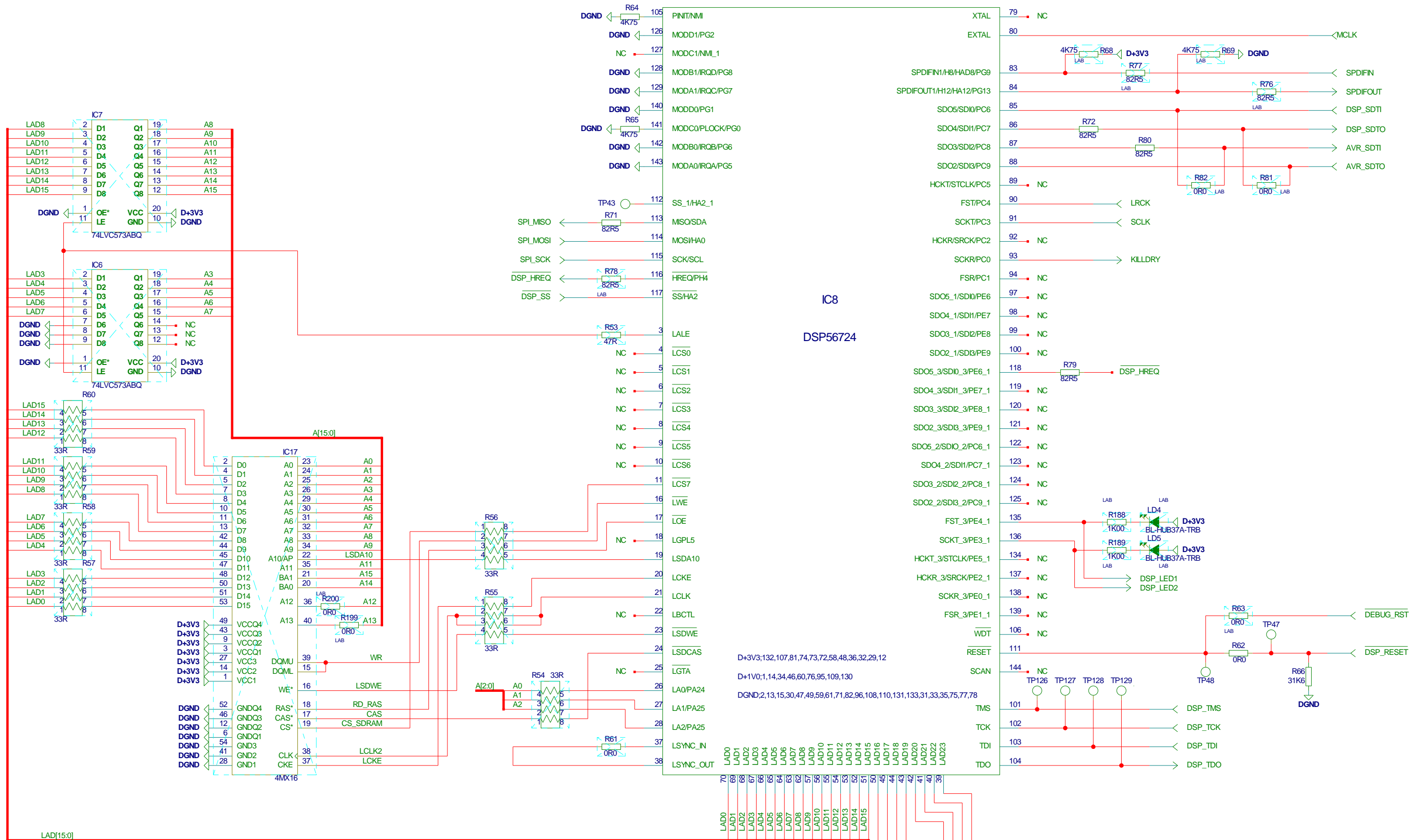
M1
P22381-B

VORTEX FLANGER

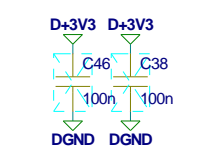
TC Electronic A/S		Designer
ERIK MAINBOARD 724		HJE/PRO
OVERVIEW		
Number	Revision	Previous page
P22381	BDE	XX
Date	Filename	Page / of
7-6-2011_9:17	P22381-B_D	1 / 6



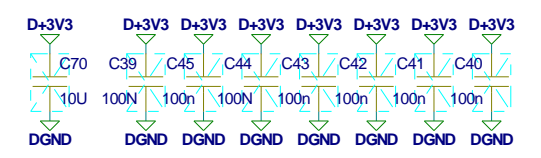
TC Electronic A/S		Designer	HJE/PRO
Title	ERIK MAINBOARD 724	Module title	UC_AND_CONNECTS
Number	P22381	Revision	BDE
Date	7-6-2011 9:19	Filename	UC_AND_CONNECTS_D_1
		Page	1
		Page	2/6



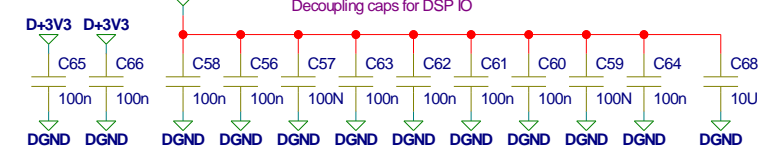
Decoupling caps for Latch



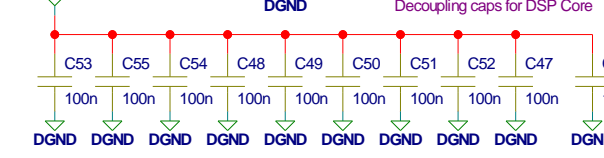
Decoupling caps for SDRAM



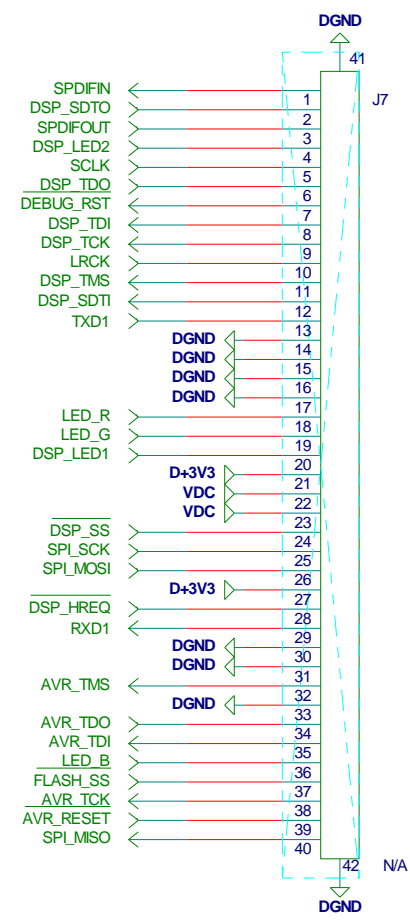
Decoupling caps for DSP IO



Decoupling caps for DSP Core

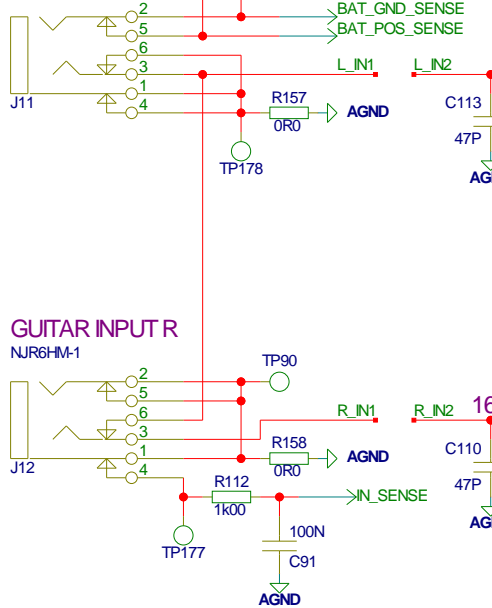


TC Electronic A/S		Designer	HJE/PRO
Title		Module title	
ERIK MAINBOARD 724		DSP SECTION	
Number	Revision	Previous page	
P22381	BDE	2	
Date	Filename	Page / of	
7-6-2011_9:19	DSP724_D_1	3 / 6	

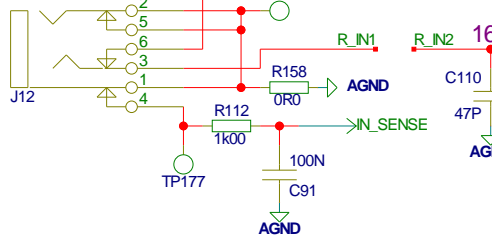


TC Electronic A/S		Designer HJE/PRO
Title ERIK MAINBOARD 724		Module title DEBUG CONNECTOR
Number P22381	Revision BDE	Previous page 3
Date 7-6-2011_9:18	Filename DEBUGINTERFACE_D_1	Page / of 4 / 6

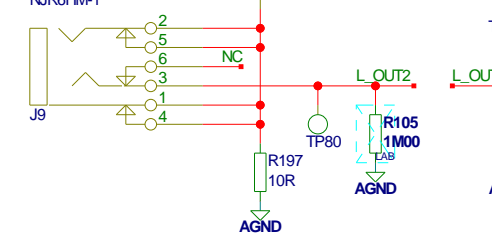
GUITAR INPUT L
NJR6HM-1



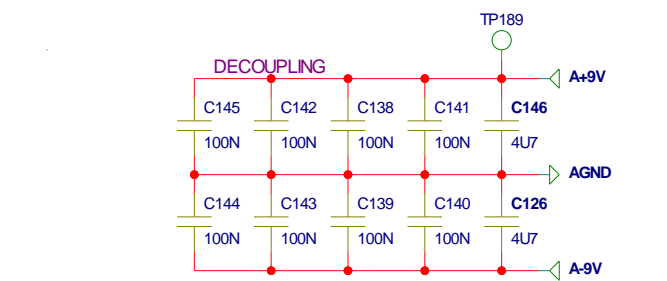
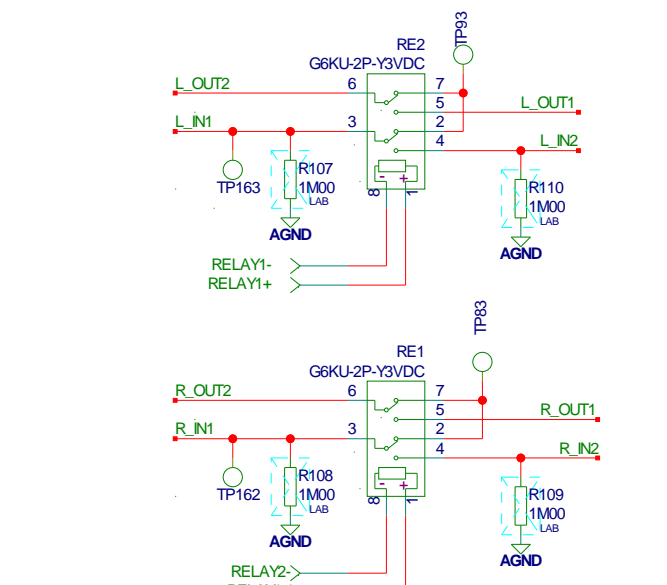
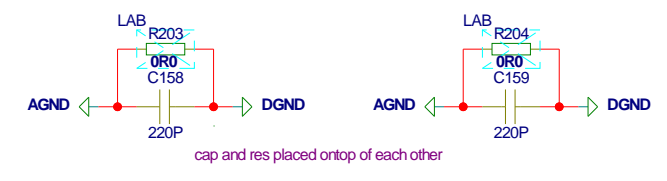
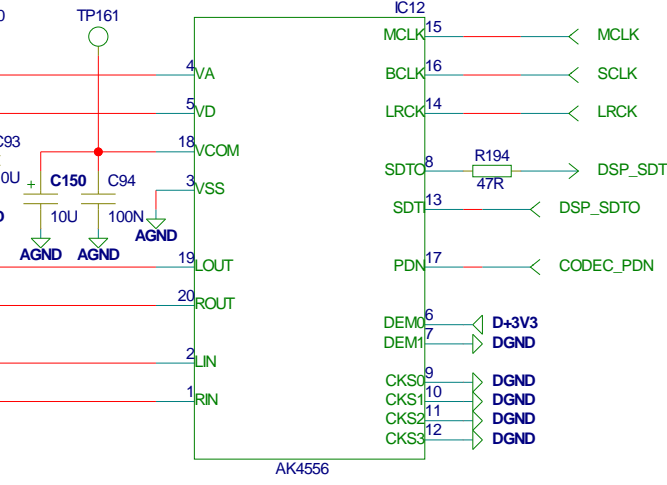
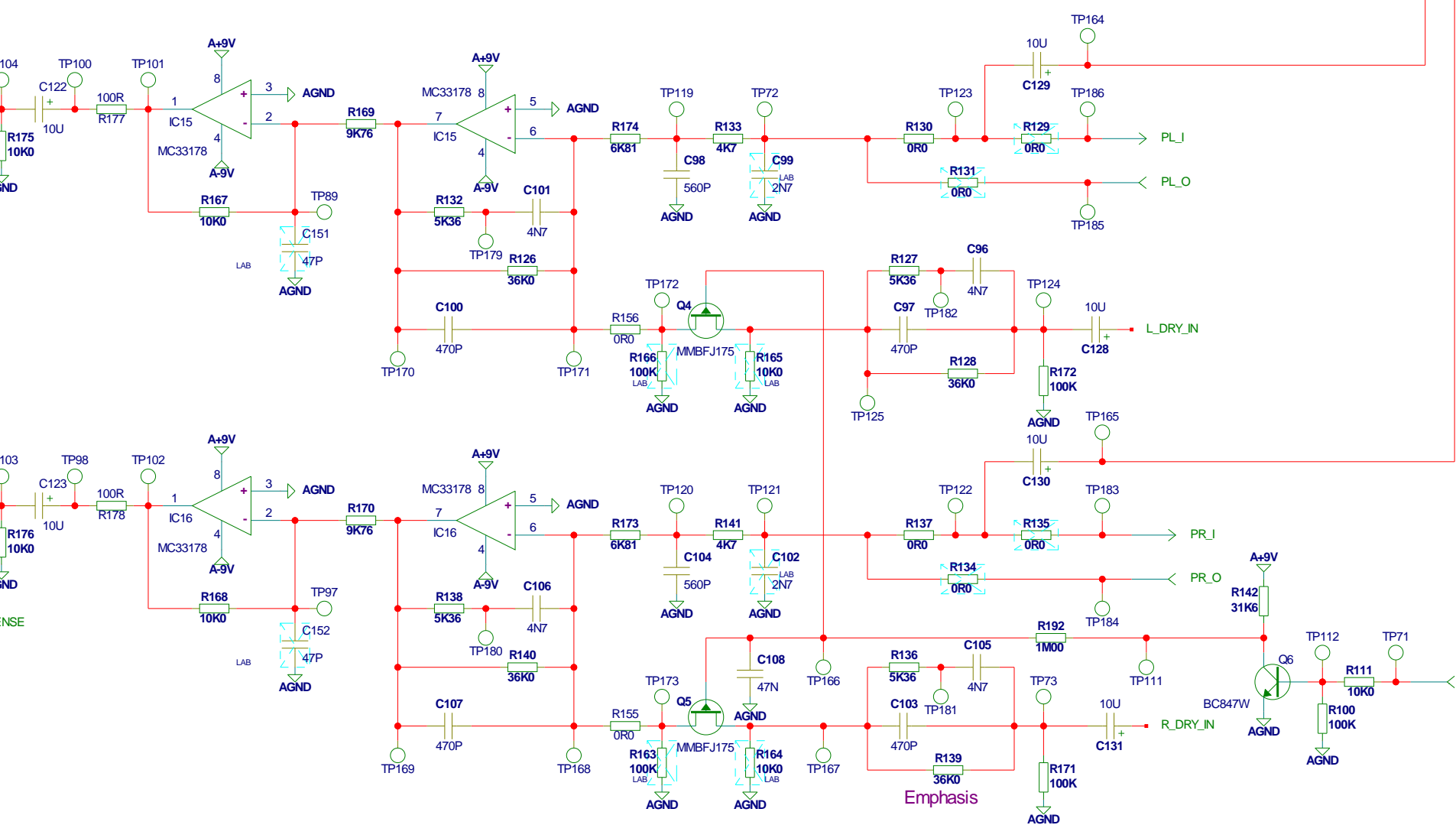
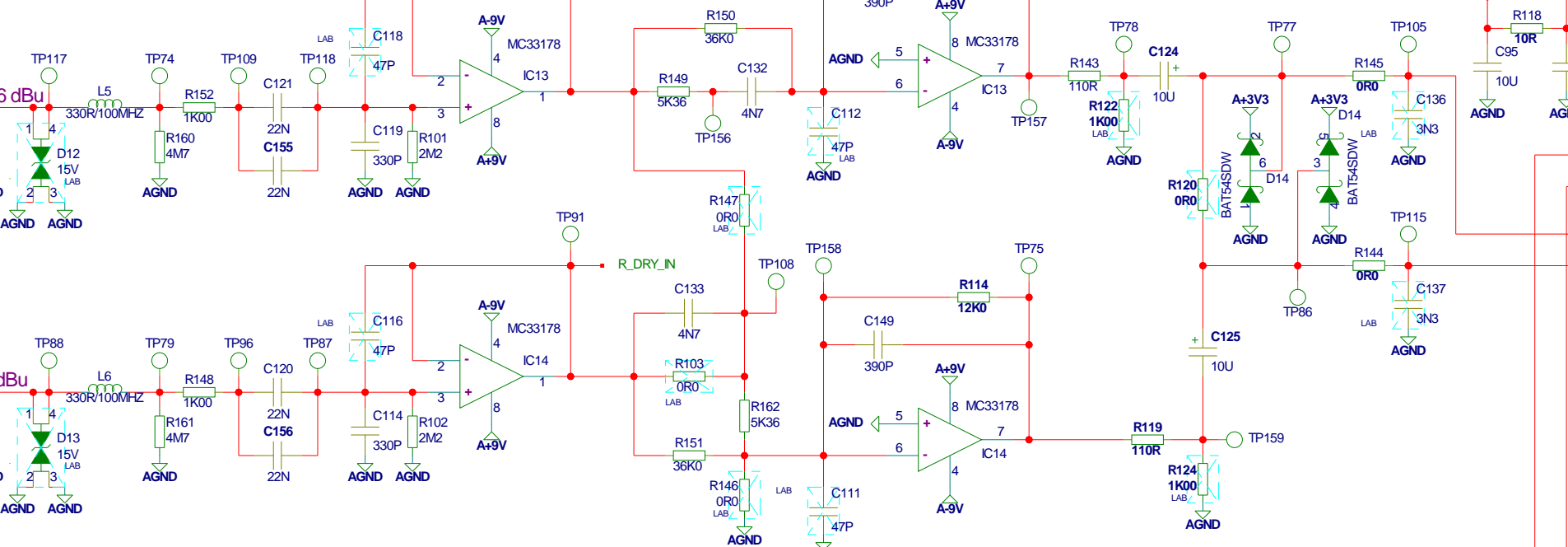
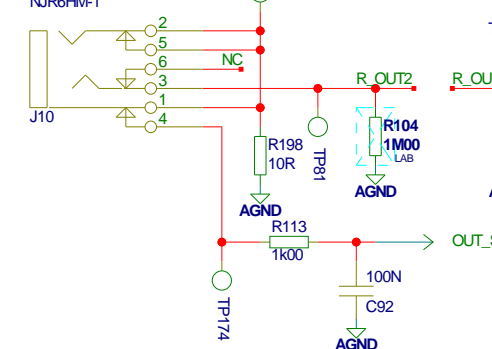
GUITAR INPUT R
NJR6HM-1



GUITAR OUTPUT L
NJR6HM-1



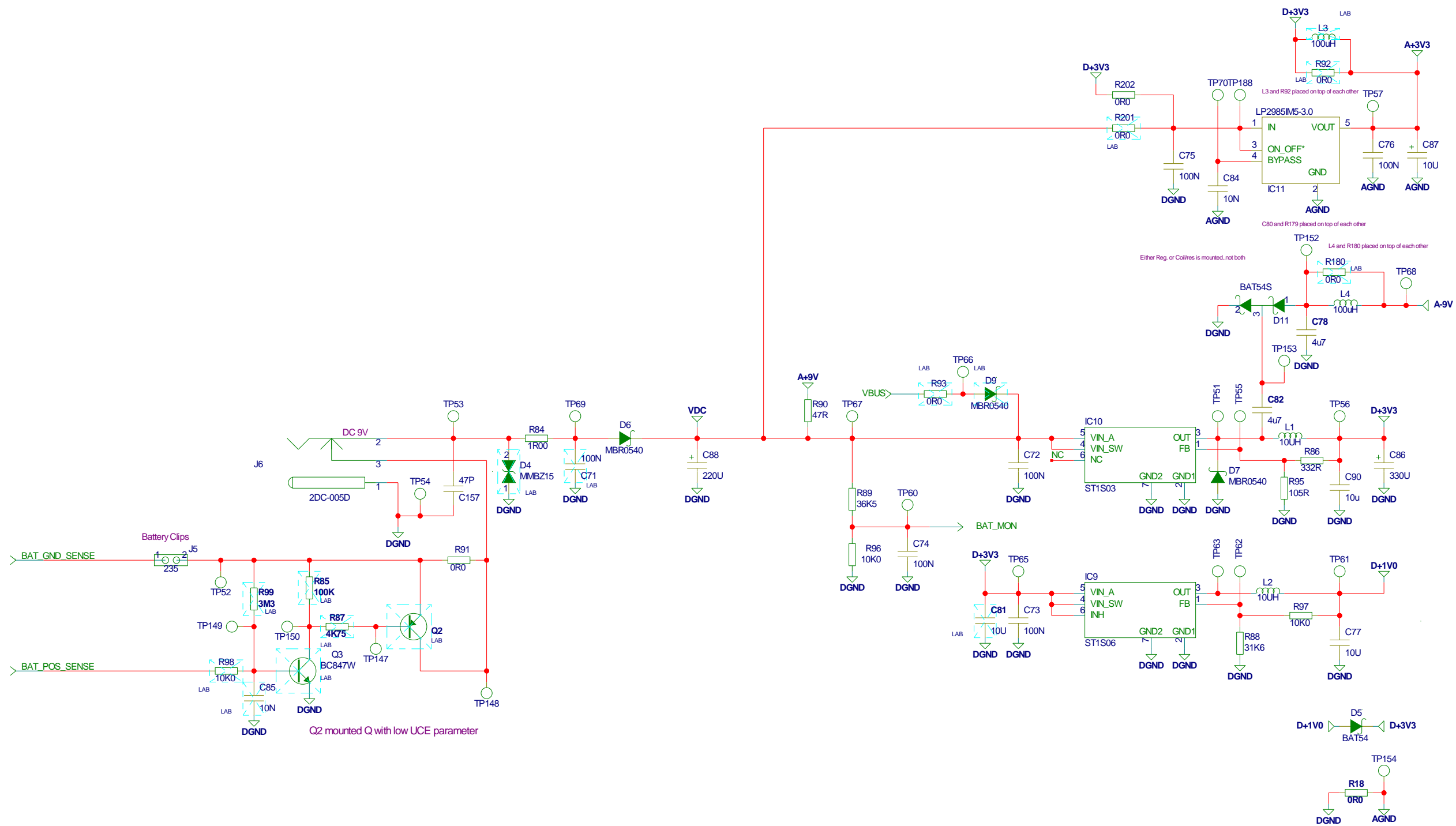
GUITAR OUTPUT R
NJR6HM-1



TC Electronic A/S

Title ERK MAINBOARD 724		Module title ANALOG SECTION	
Number P22381	Revision BDE	Previous page 4	
Date 7-6-2011_9:18	Filenam ANALOG_D_1	Page / of 5 / 6	

Emphasis



TC Electronic A/S		Designer HJE/PRO
Title ERIK MAINBOARD 724		Module title POWER SUPPLY
Number P22381	Revision BDE	Previous page 5
Date 7-6-2011_9:18	Filename POWER_D_1	Page / of 6 / 6