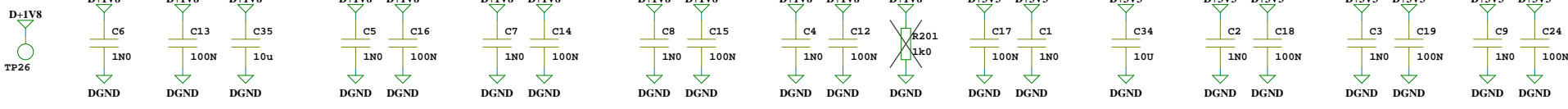
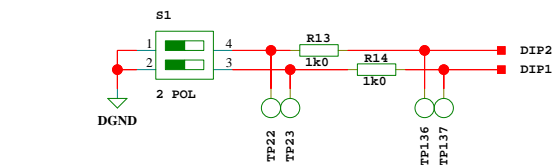
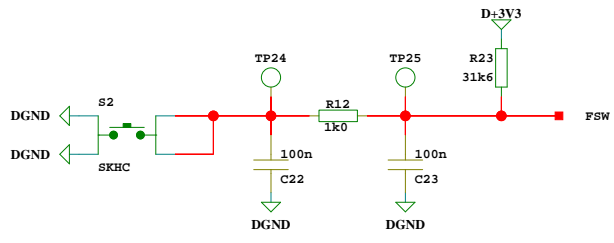
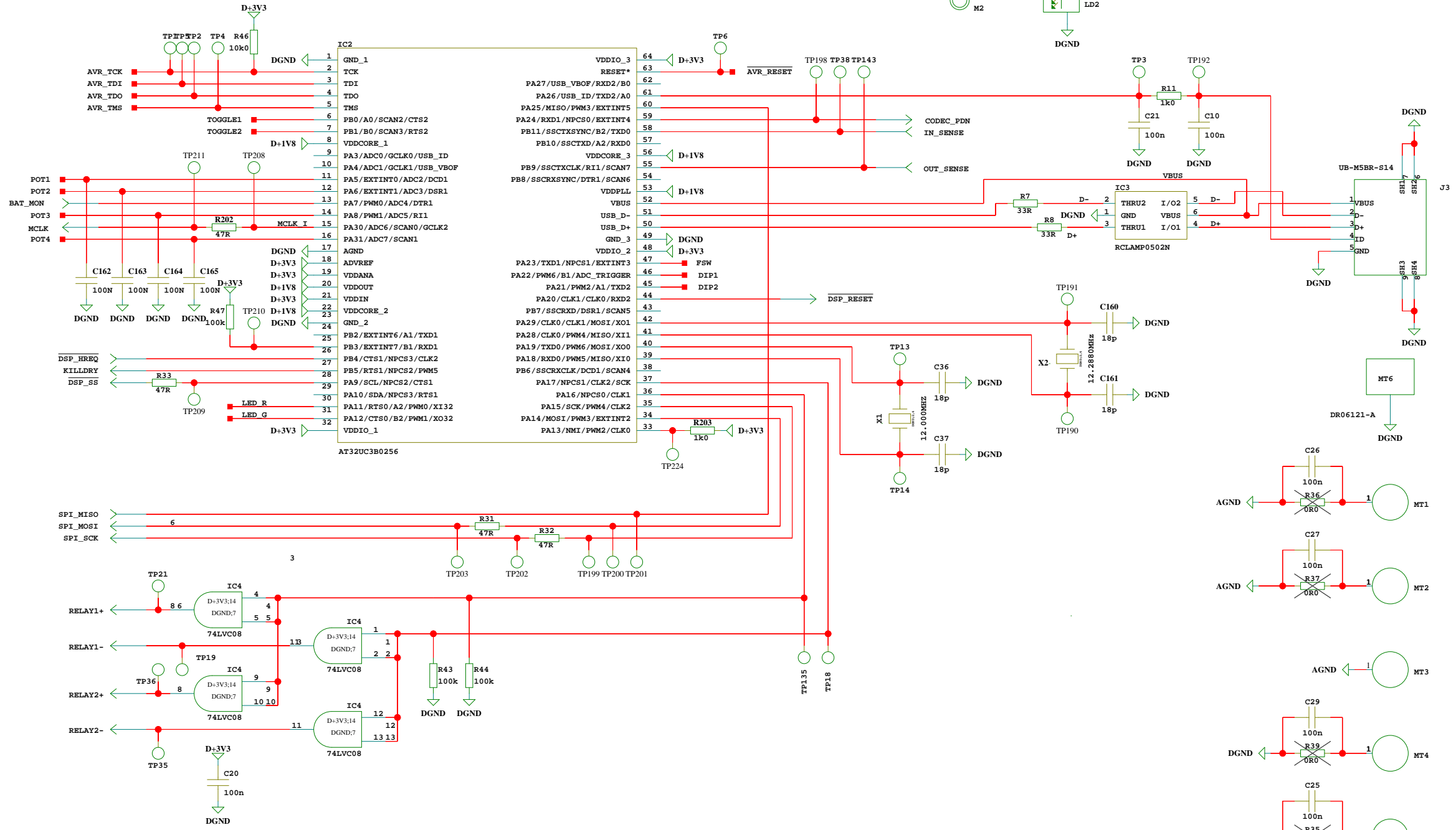
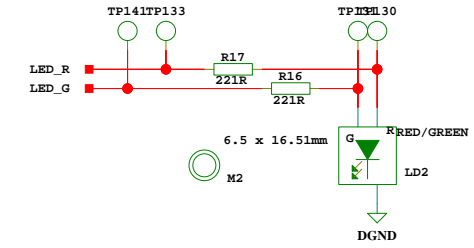
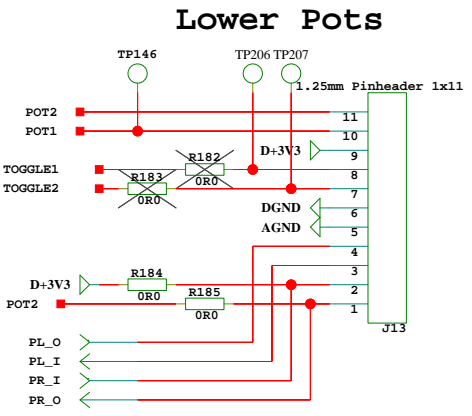
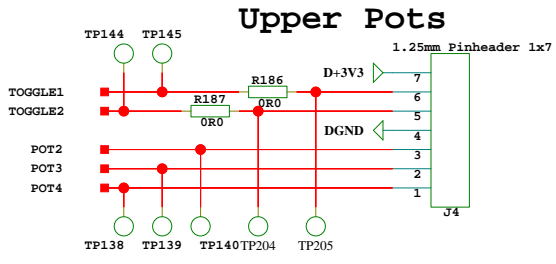
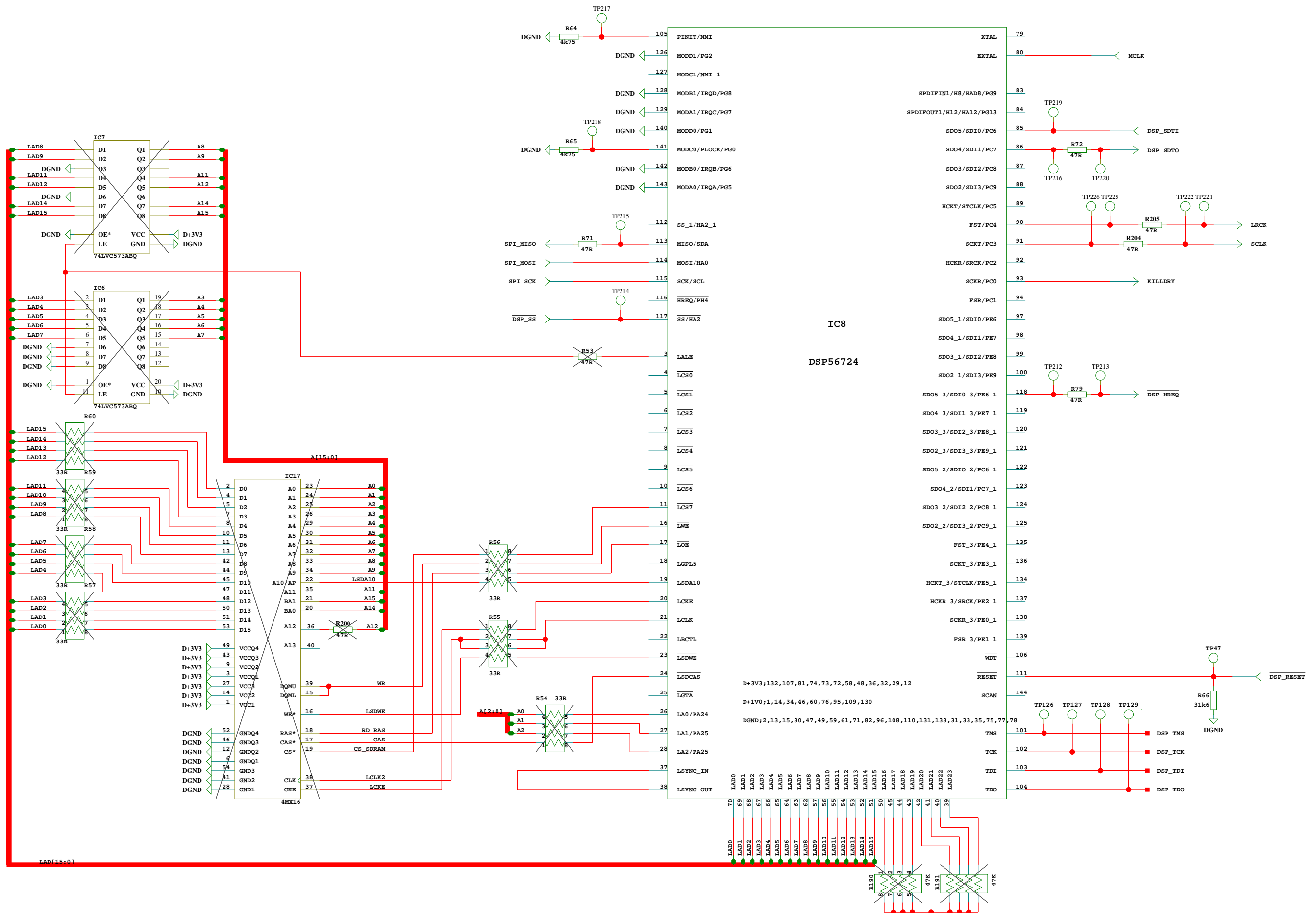


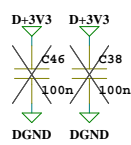
M1
 P22381-D
 PCB

		Designer(s)		HJE/PRO
Title		Module title		
VORTEX (1096-ERIK)		MODULE TITLE		
Number	Revision	Variant	Version	Board type
P22381	D	D	A	MAINBOARD
Date	Filename			Page / of
13/09/2013:15:37	P22381-D			1 / 5

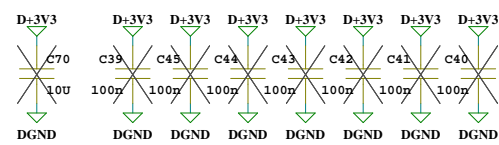




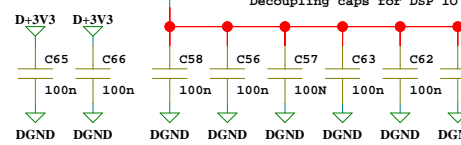
Decoupling caps for Latch



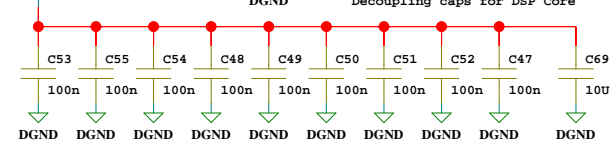
Decoupling caps for SDRAM



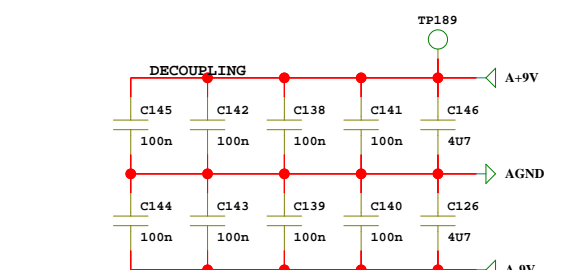
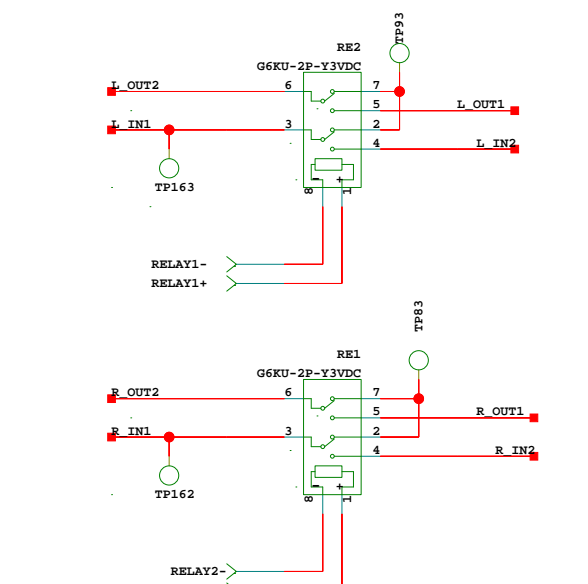
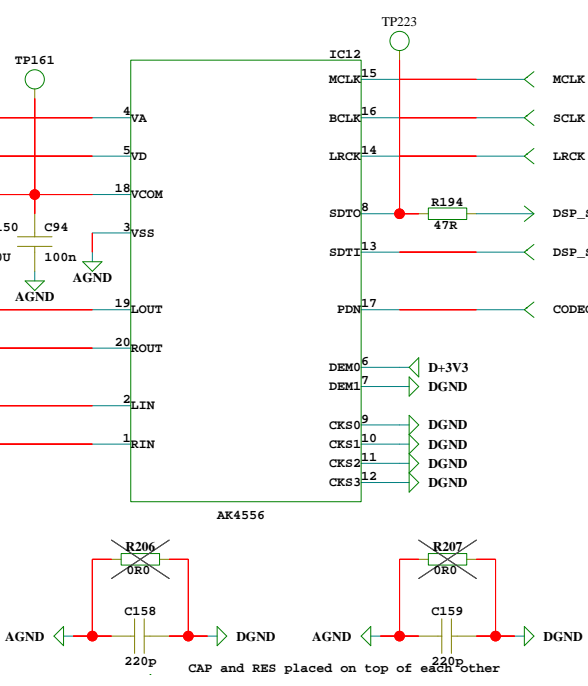
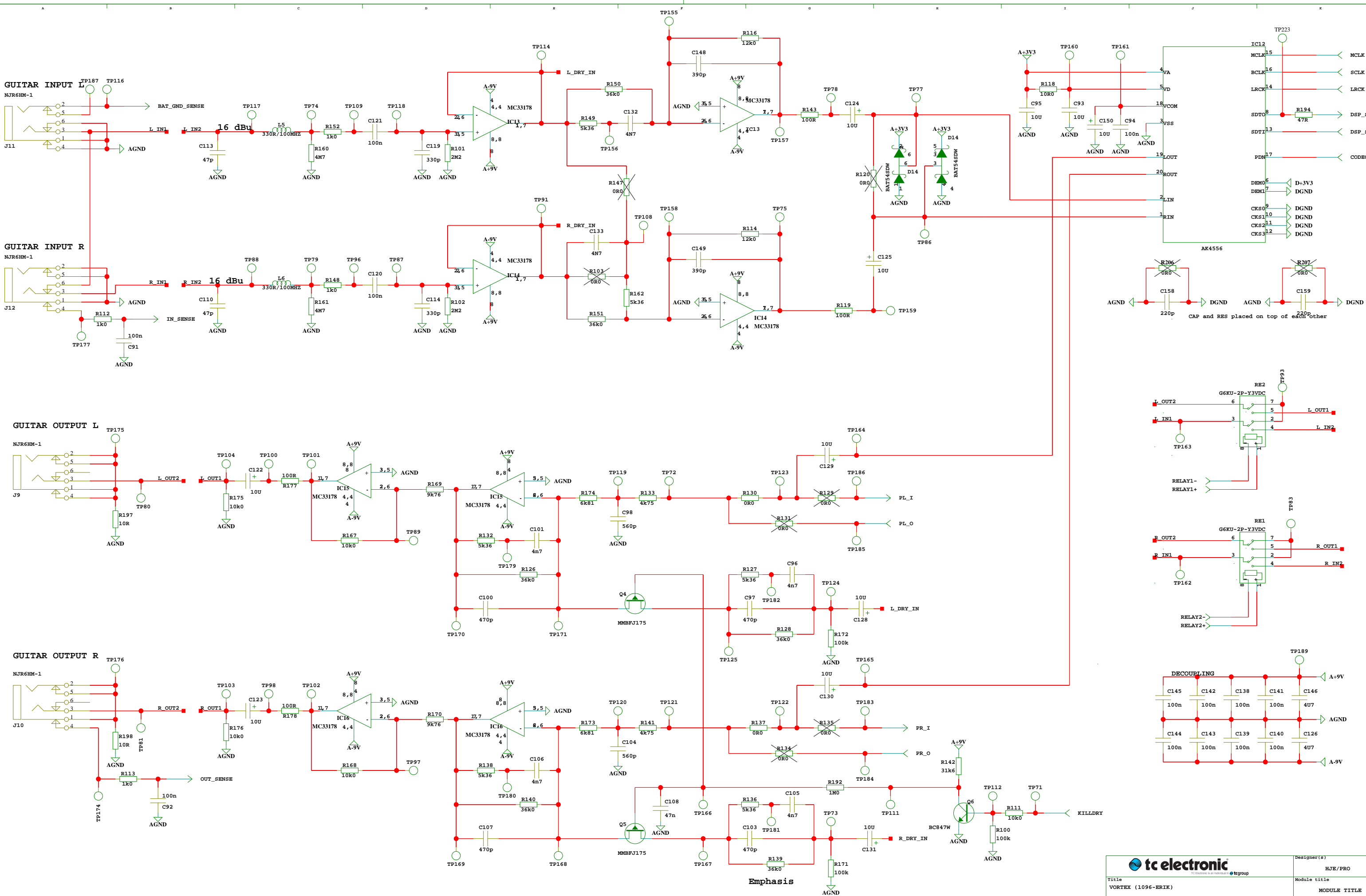
Decoupling caps for DSP IO



Decoupling caps for DSP Core



tc electronic				Designer(s)
Title VORTEX (1096-ERIK)				HJE/PRO
Revision				Module title
Variant				MODULE TITLE
Version				Board type
Date				MAINBOARD
Filename dsp724				Page / of
13/09/2013:15:37				3 / 5



Emphasis

				Designer(s)	HJE/PRO
Title				Module title	
VORTEX (1096-ERIK)				MODULE TITLE	
Number	Revision	Variant	Version	Board type	
F22381	D	D	A	MAINBOARD	
Date	Filename				Page / of
13/09/2013:15:37	analog				4 / 5

