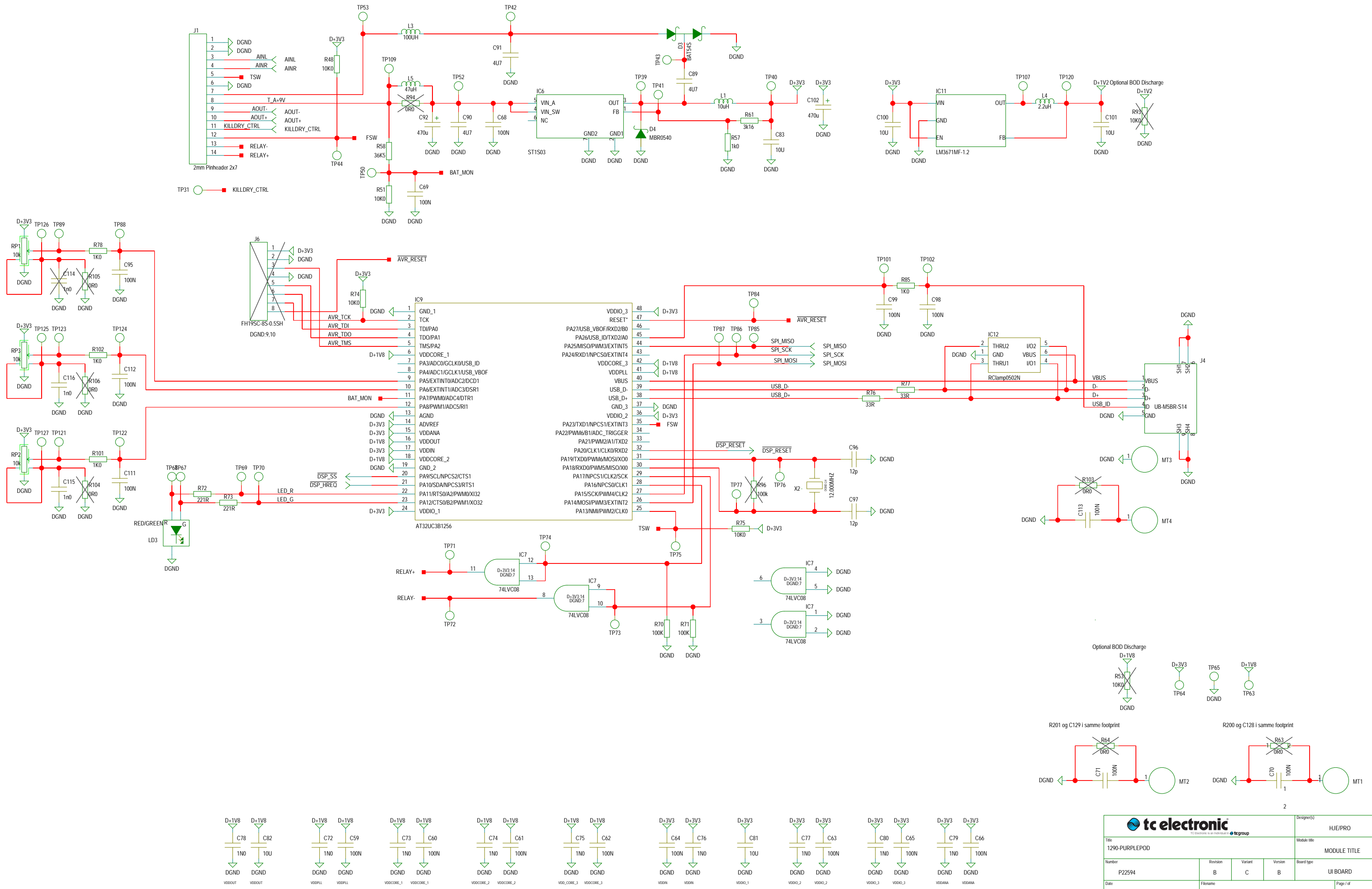
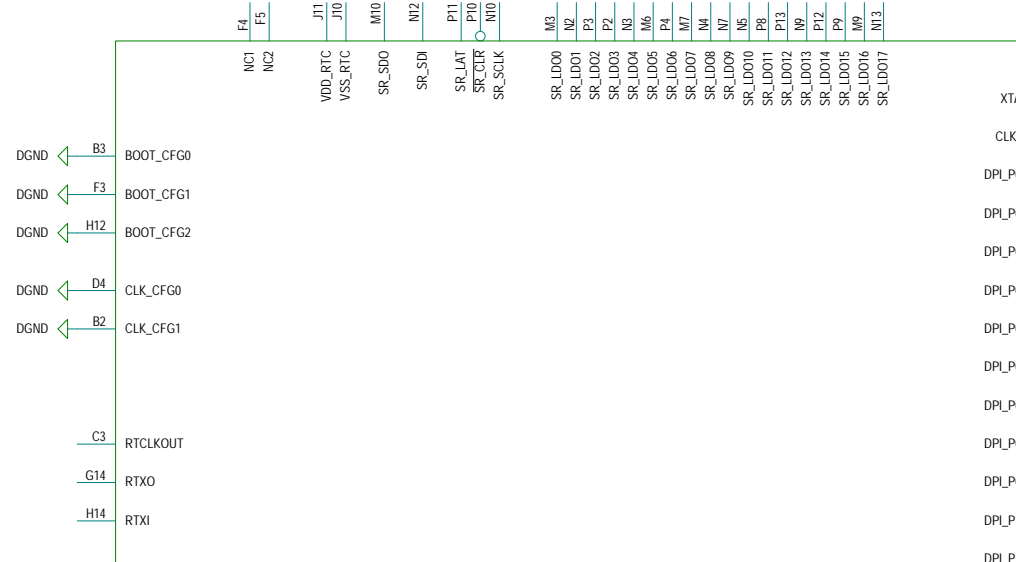
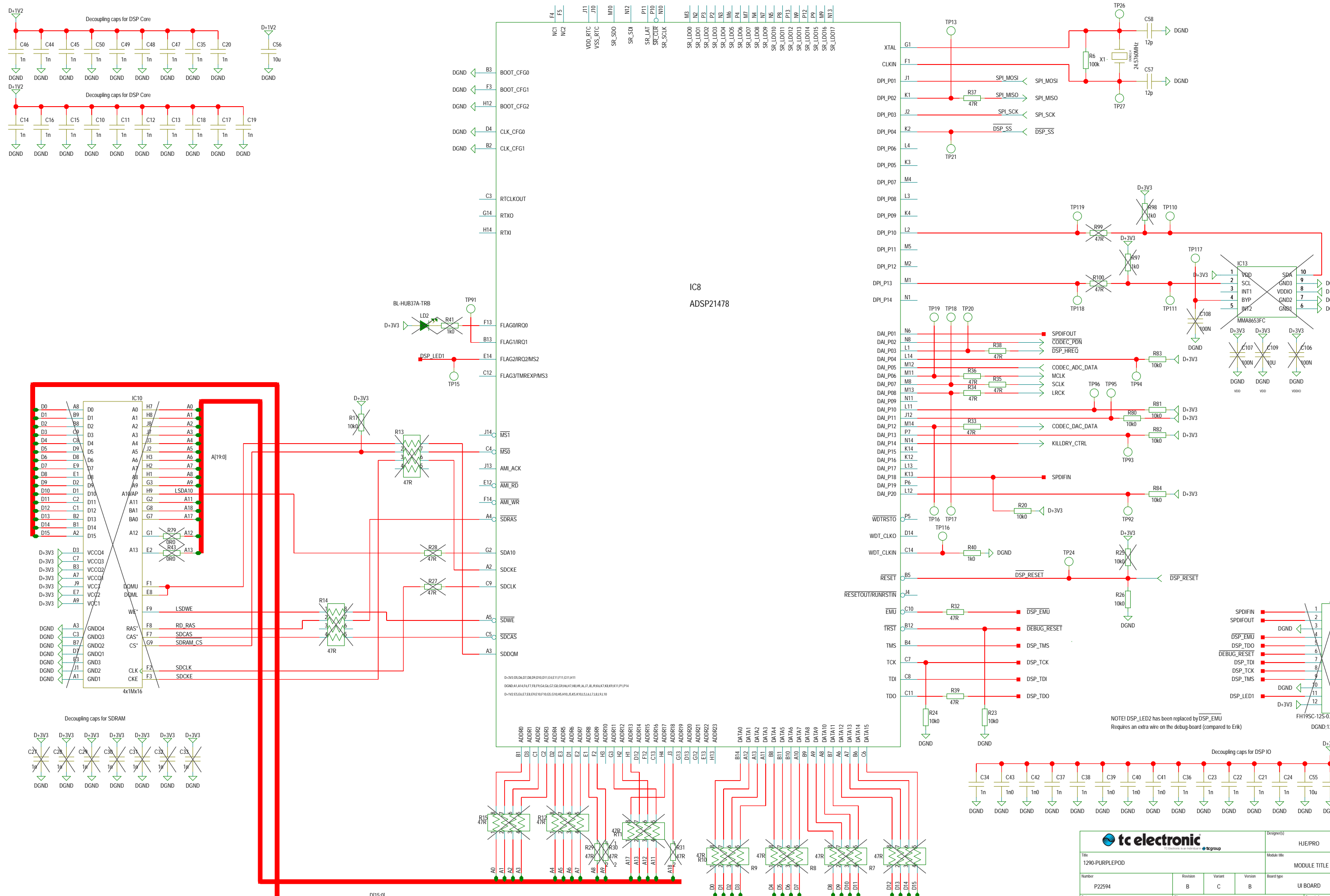


M1
P22594-B
pcb

				Designer(s)	HJE/PRO
Title 1290-PURPLEPOD				Module title	MODULE TITLE
Number P22594	Revision B	Variant C	Version B	Board type	UI BOARD
Date 13/01/2014:10:51	Filename			Page / of	1 / 4



		HJE/PRO	
		Module title	
Title 1290-PURPLEPOD	Revision B	Variant C	Version B
Number P22594	Board type UI BOARD		
Date 13/01/2014:10:51	File name uc_and_connects	Page / of 2 / 4	



		(Designer) HJE/PRO	
Title	1290-PURPLEPOD	Module title	MODULE TITLE
Number	P22594	Revision	B
Date	13/01/2014:10:51	Variant	C
		Version	B
		Board type	UI BOARD
		Page / of	3 / 4

