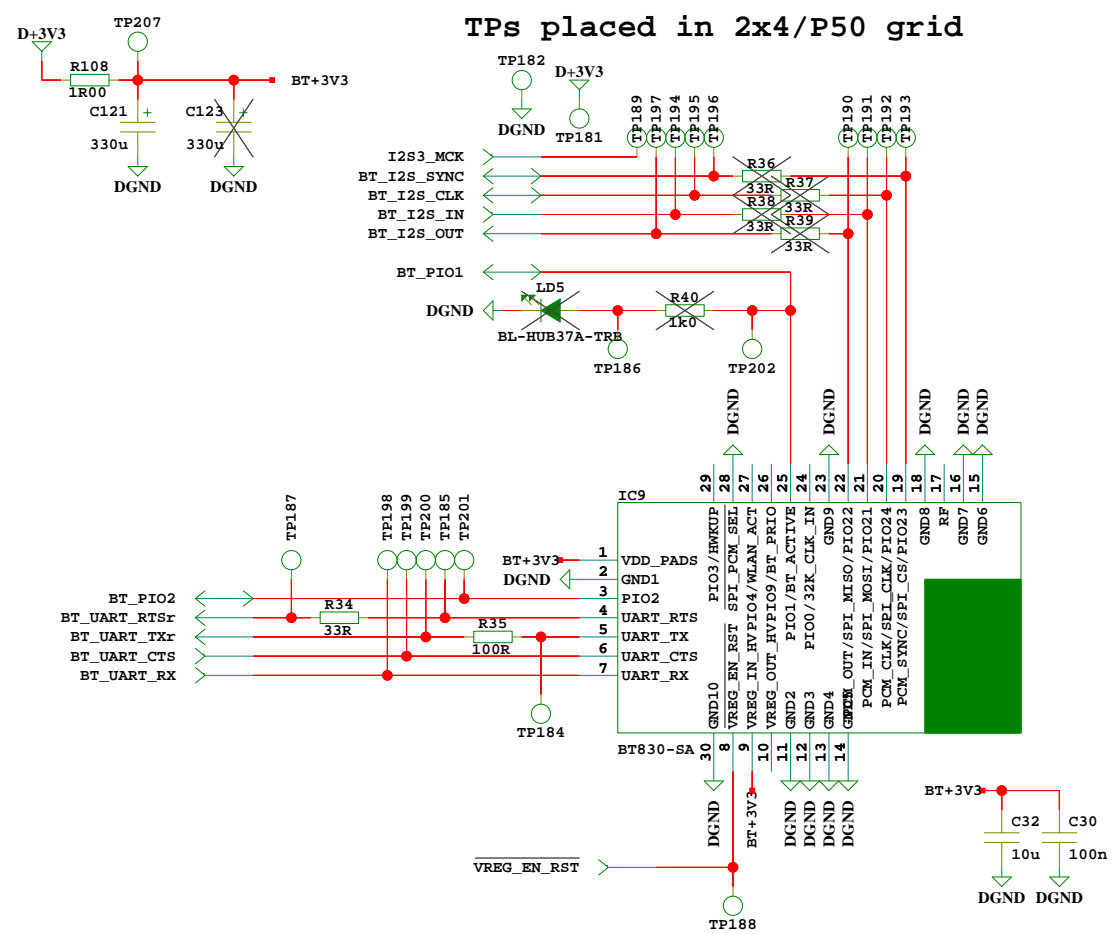
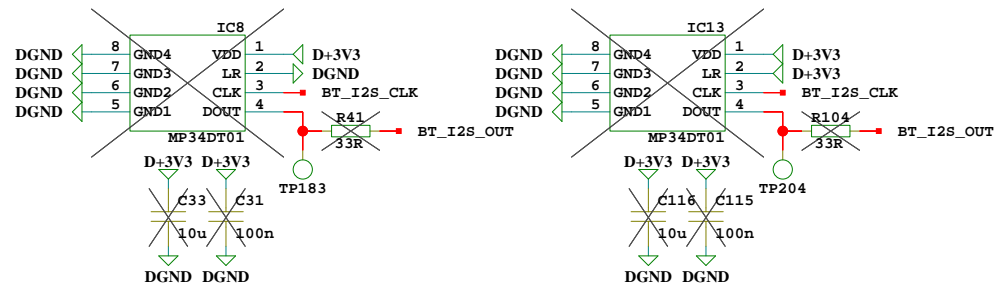


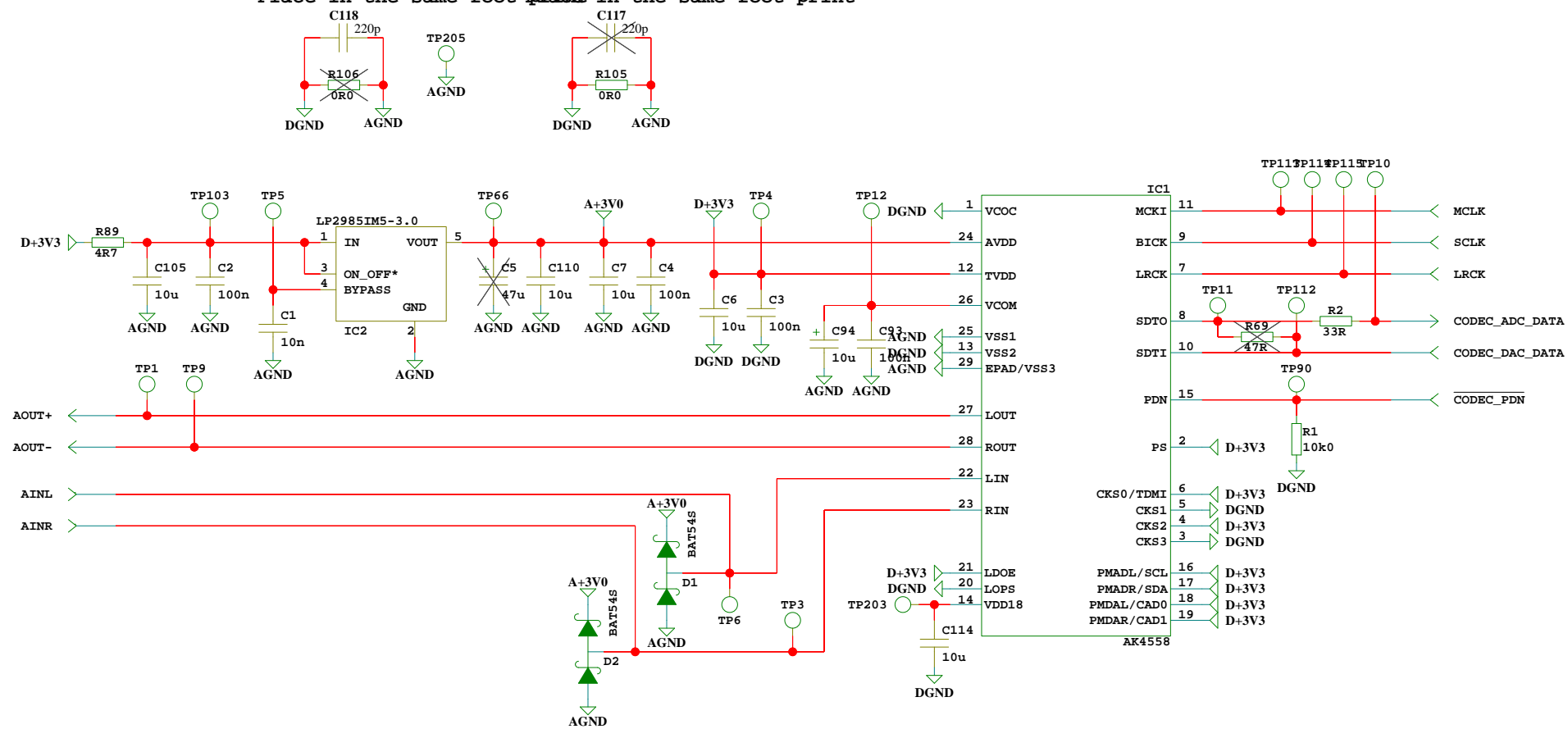
M1
 F22592-B
 pcb

TC Electronic				Designer(s) HJE/PRO
Title 1331-RIFFRAFF				Module title MODULE TITLE
Number F22592	Revision B	Variant A	Version C	Board type UI BOARD
Date 09/02/2016:14:01	Filename			Page / of 1 / 5

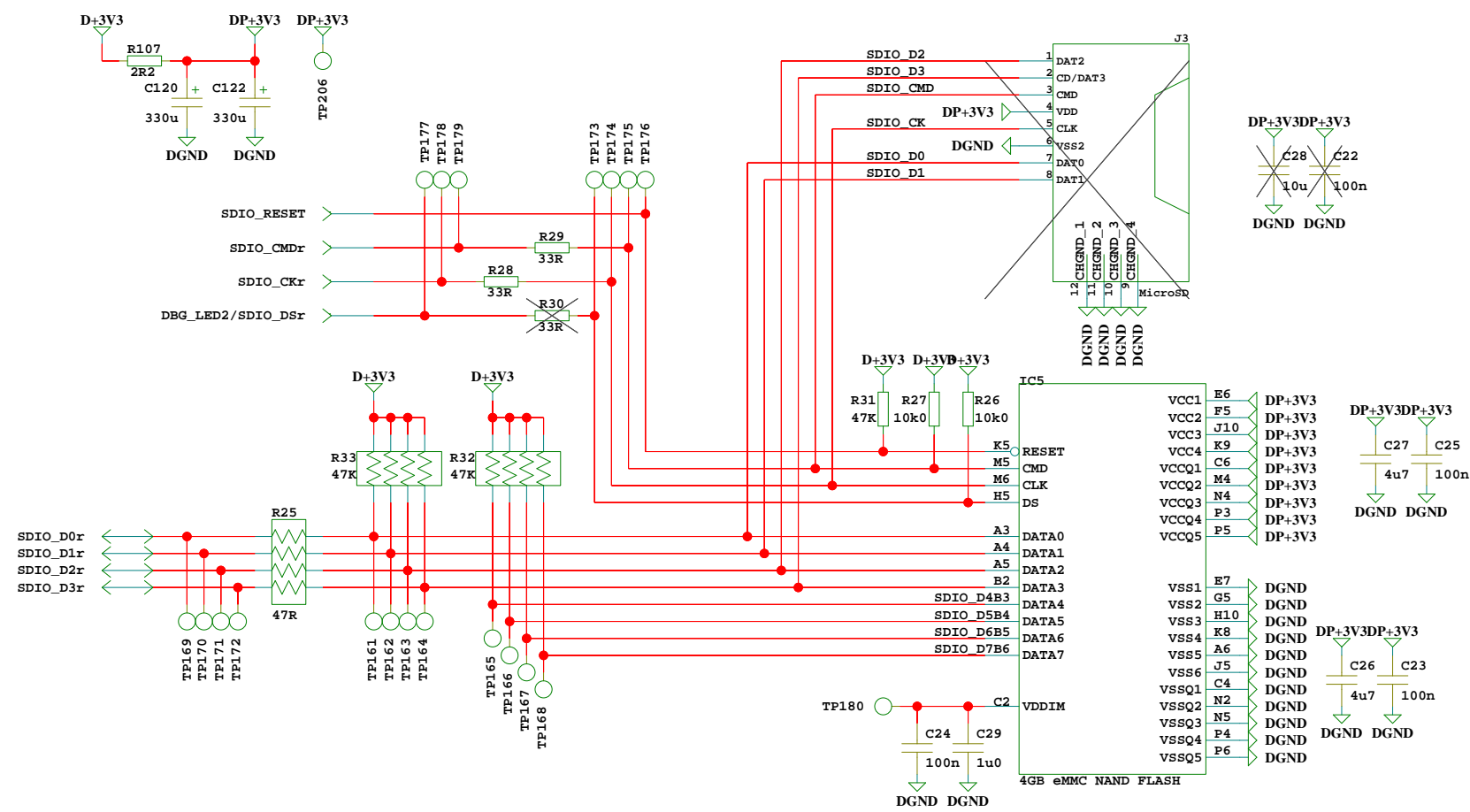


TC Electronic				Designer(s) HJE/PRO	
Title 1331-RIFFRAFF				Module title MODULE TITLE	
Number P22592	Revision B	Variant A	Version C	Board type UI BOARD	
Date 09/02/2016:14:01	Filename BLUETOOTH_I2S			Page / of 2 / 5	

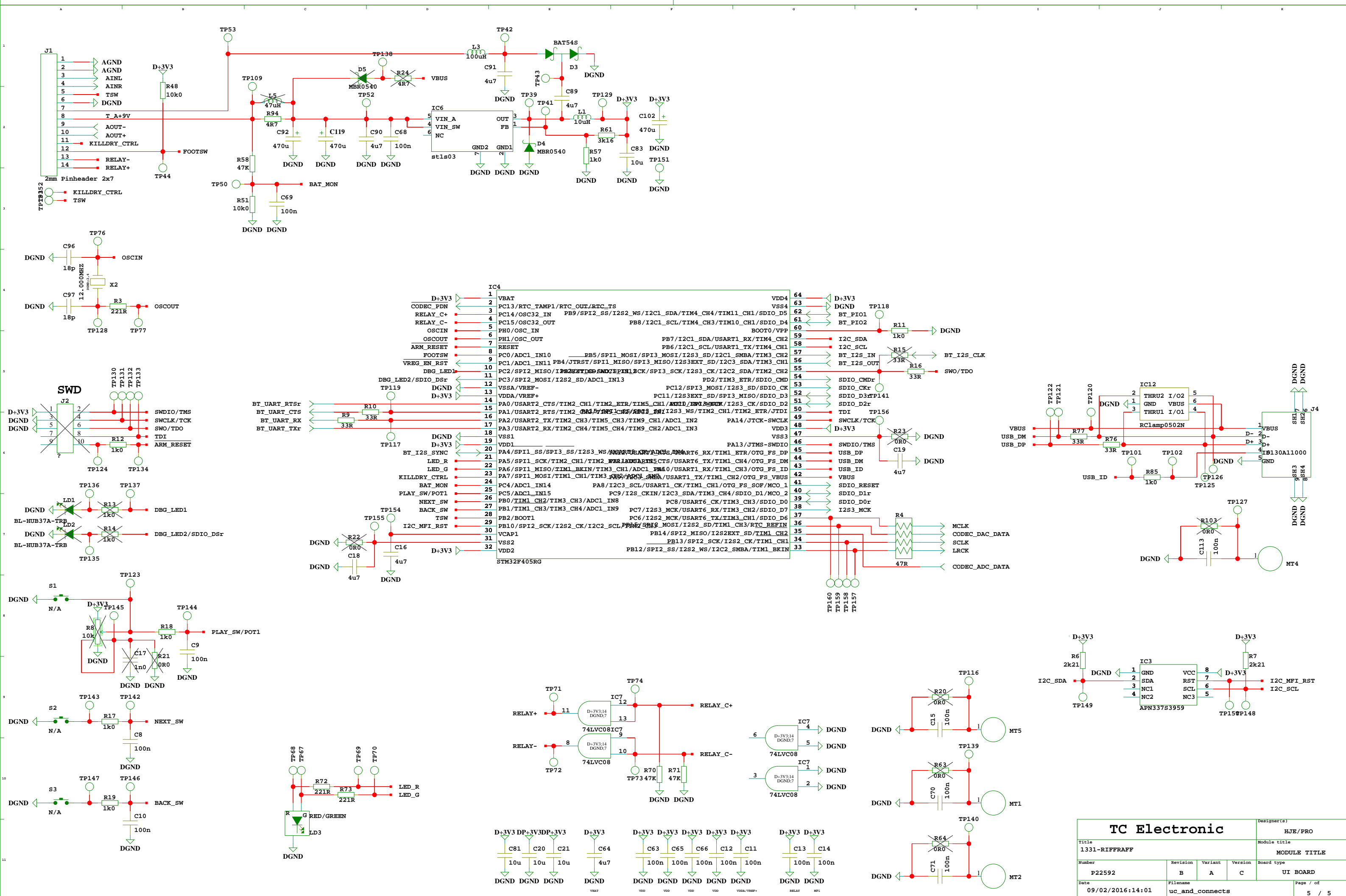
Place in the same foot print ~~Place in the same foot print~~



TC Electronic				Designer(s) HJE/PRO
Title 1331-RIFFRAFF				Module title MODULE TITLE
Number P22592	Revision B	Variant A	Version C	Board type UI BOARD
Date 09/02/2016:14:01	Filename codec	Page / of 3 / 5		



TC Electronic				Designer(s)	HJE/PRO
Title 1331-RIFFRAFF				Module title MODULE TITLE	
Number P22592	Revision B	Variant A	Version C	Board type UI BOARD	
Date 09/02/2016:14:01	Filename FLASH			Page / of 4 / 5	



TC Electronic				Designer(s)	HJE/PRO
Title				Module title	
1331-RIFFRAFF				MODULE TITLE	
Number	Revision	Variant	Version	Board type	
P22592	B	A	C	UI BOARD	
Date	Filename			Page / of	
09/02/2016:14:01	uc_and_connects			5 / 5	