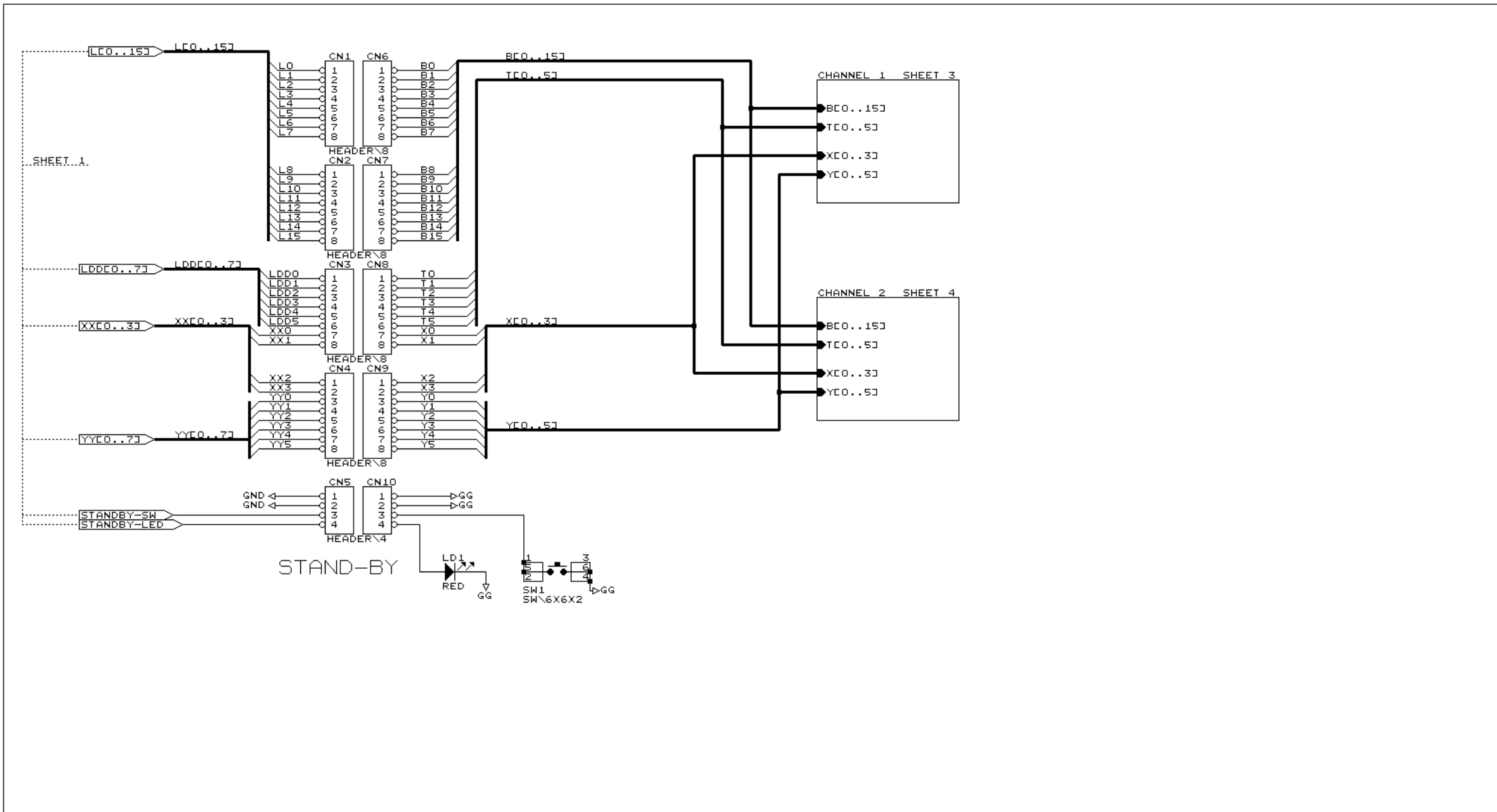


TC ELECTRONIC A/S		
PCB Name: VIKING VI, PC12506-2		
Title "GOLD CHANNEL FRONT BOARD" MAIN FRONT PCB		
Size	Document Number	REV
B	P1250621.SCH	2.1
Date:	May 19, 1999	Sheet 1 of 5

ALL VOLTAGES ARE MEASURED WITH DGND AS REFERENCE.



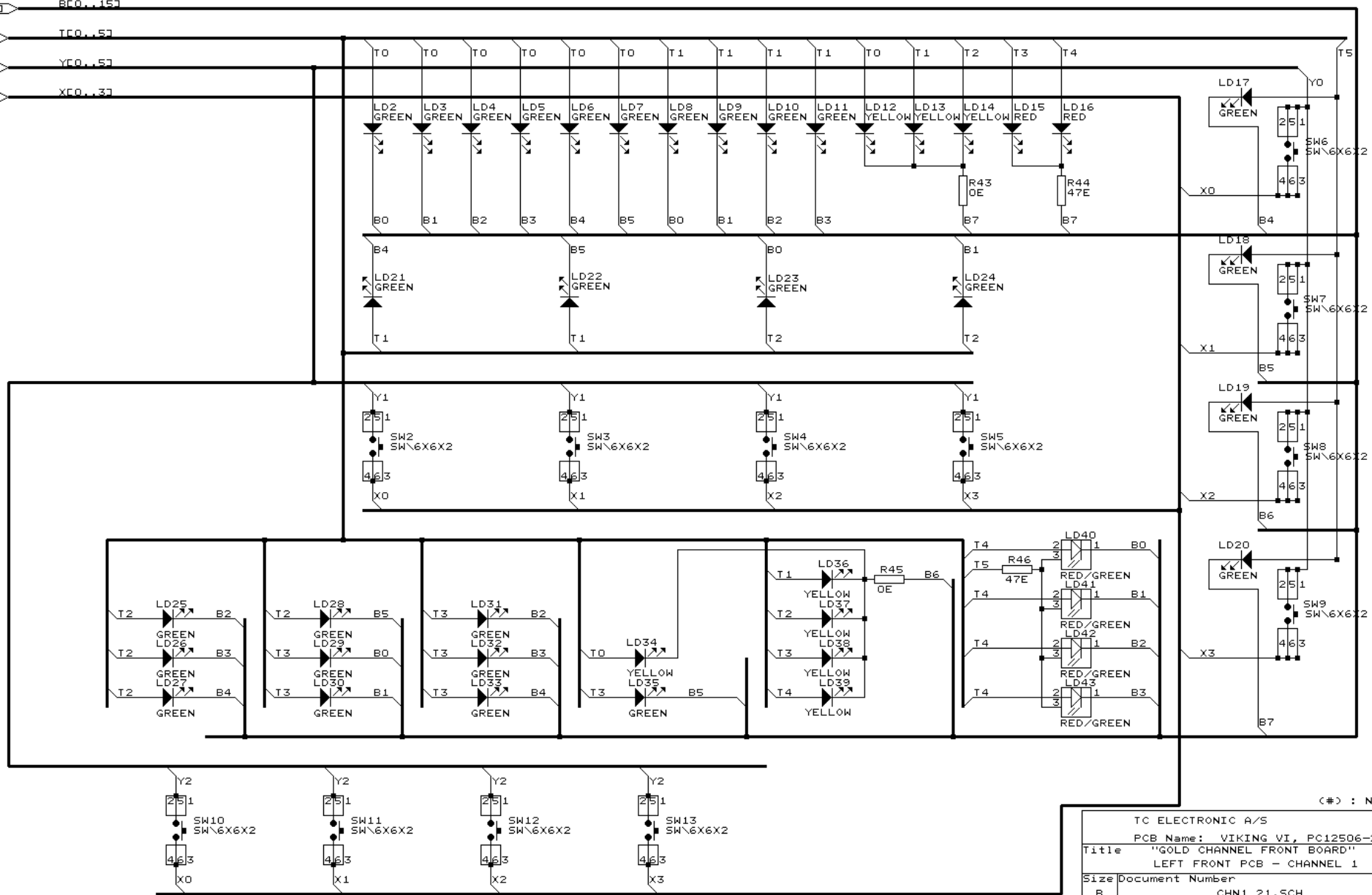
(#) : NOT USED

TC ELECTRONIC A/S		
PCB Name: VIKING VI, PC12506-2		
Title "GOLD CHANNEL FRONT BOARD" LEFT FRONT PCB		
Size	Document Number	REV
B	VIK6LF21.SCH	2.1
Date:	June 15, 1999	Sheet 2 of 5

ALL VOLTAGES ARE MEASURED WITH DGND AS REFERENCE.

BCO...15J BCO...15J
 TCO...5J TCO...5J
 YCO...5J YCO...5J
 XCO...3J XCO...3J

..SHEET..2.



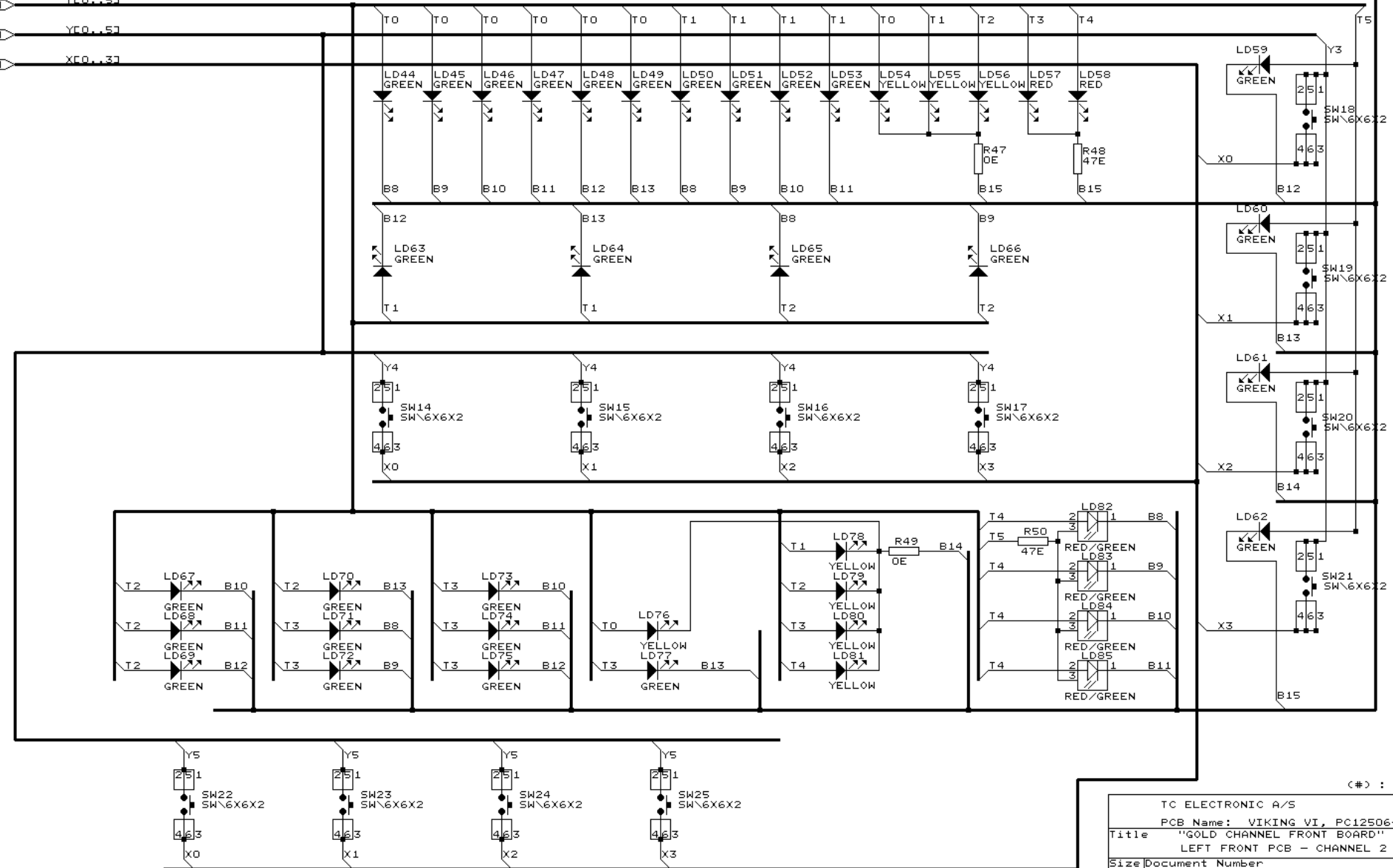
(#) : NOT USED

TC ELECTRONIC A/S		
PCB Name: VIKING VI, PC12506-2		
Title "GOLD CHANNEL FRONT BOARD"		
LEFT FRONT PCB - CHANNEL 1		
Size	Document Number	REV
B	CHN1_21.SCH	2.1
Date:	May 19, 1999	Sheet 3 of 5

ALL VOLTAGES ARE MEASURED WITH DGND AS REFERENCE.

BCD..153
 TCD..53
 YCD..53
 XCD..33

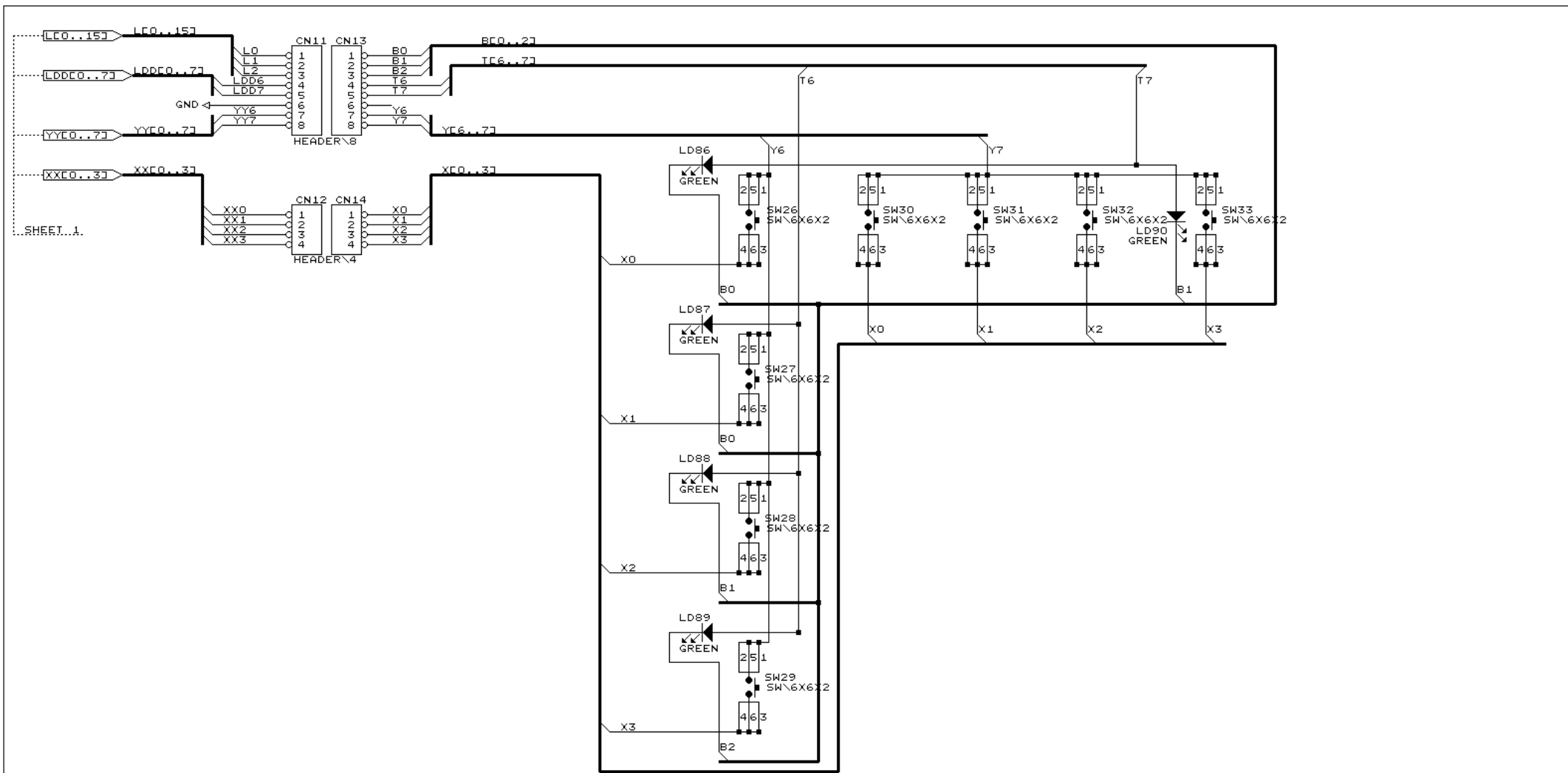
..SHEET..2.



(#) : NOT USED

TC ELECTRONIC A/S		
PCB Name: VIKING VI, PC12506-2		
Title "GOLD CHANNEL FRONT BOARD"		
LEFT FRONT PCB - CHANNEL 2		
Size	Document Number	REV
B	CHN2_21.SCH	2.1
Date:	May 19, 1999	Sheet 4 of 5

ALL VOLTAGES ARE MEASURED WITH DGND AS REFERENCE.



SHEET 1.

(#) : NOT USED

TC ELECTRONIC A/S		
PCB Name: VIKING VI, PC12506-2		
Title "GOLD CHANNEL FRONT BOARD" RIGHT FRONT PCB		
Size	Document Number	REV
B	VIK6RF21.SCH	2.1
Date:	May 19, 1999	Sheet 5 of 5

ALL VOLTAGES ARE MEASURED WITH DGND AS REFERENCE.