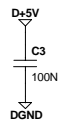
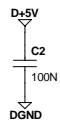
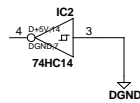
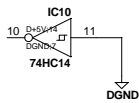
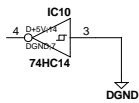
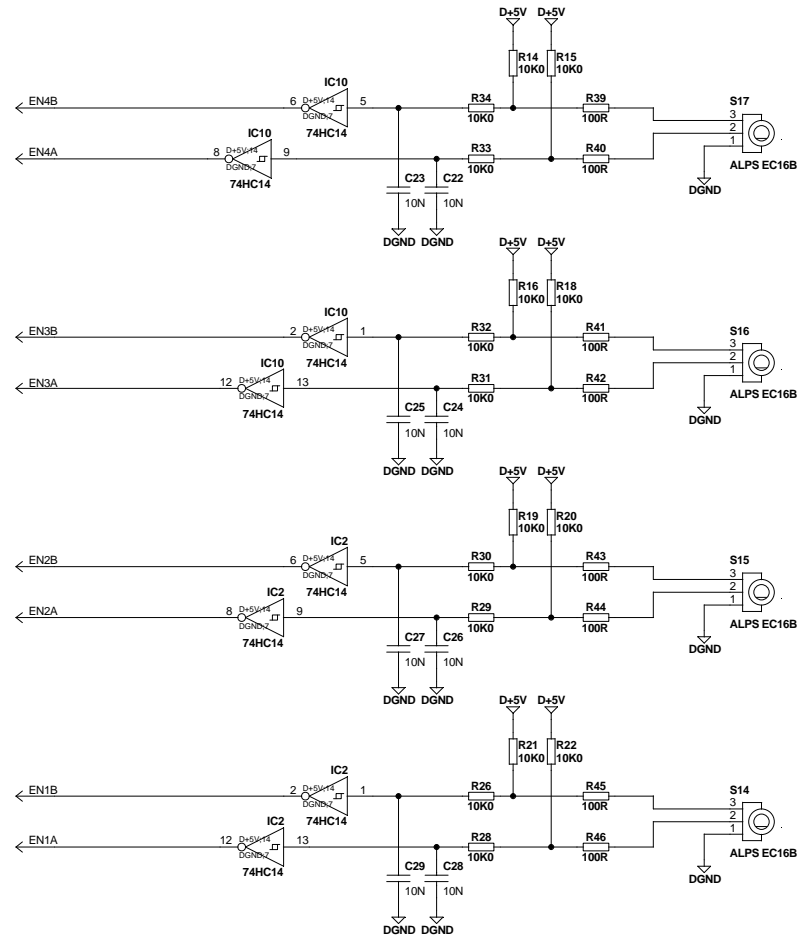
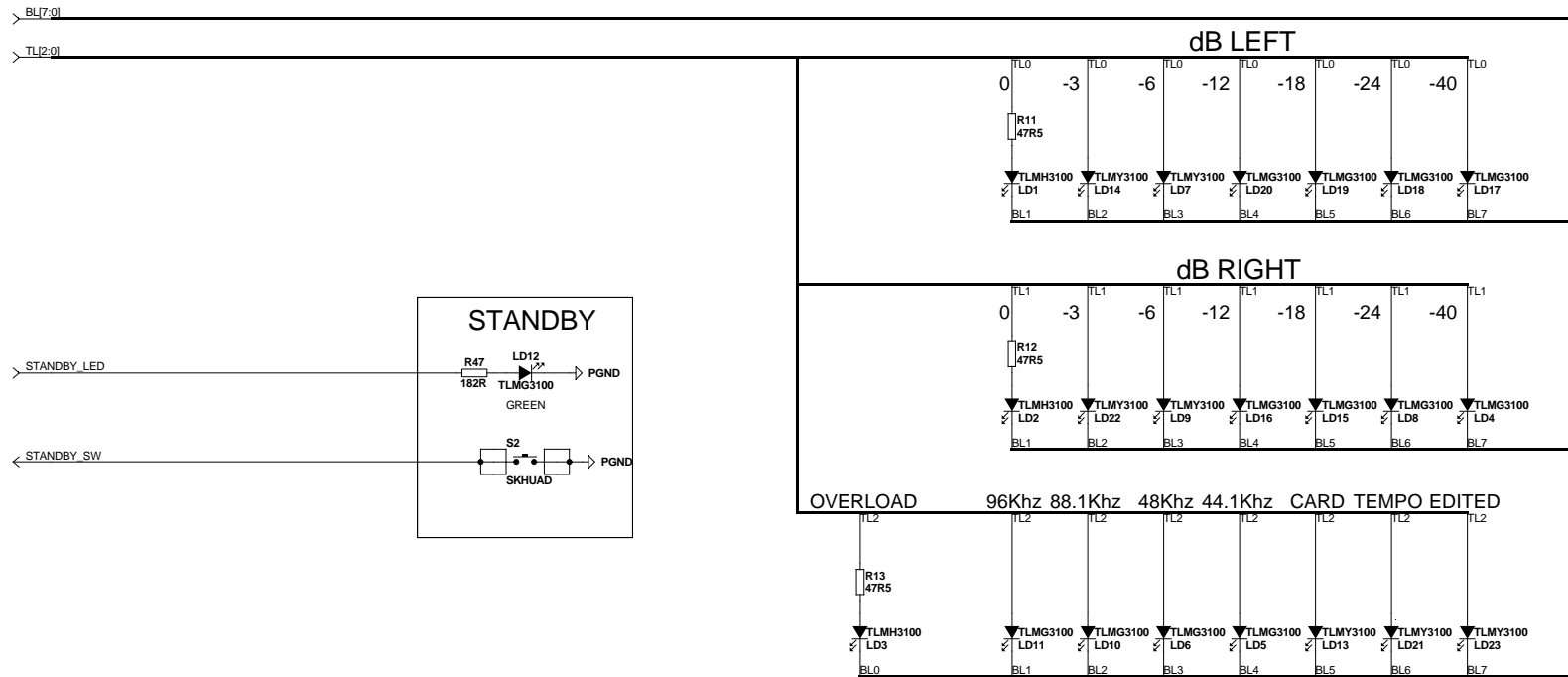


TC Electronic A/S		Designer
Title	VIKING 12	NIM
Module title	MAIN	
Number	P12512	Revision
	CAB	Previous page
		0
Date	9-16-2003 12:57	Filename
		P12512-CAB
		Page / of
		1 / 6



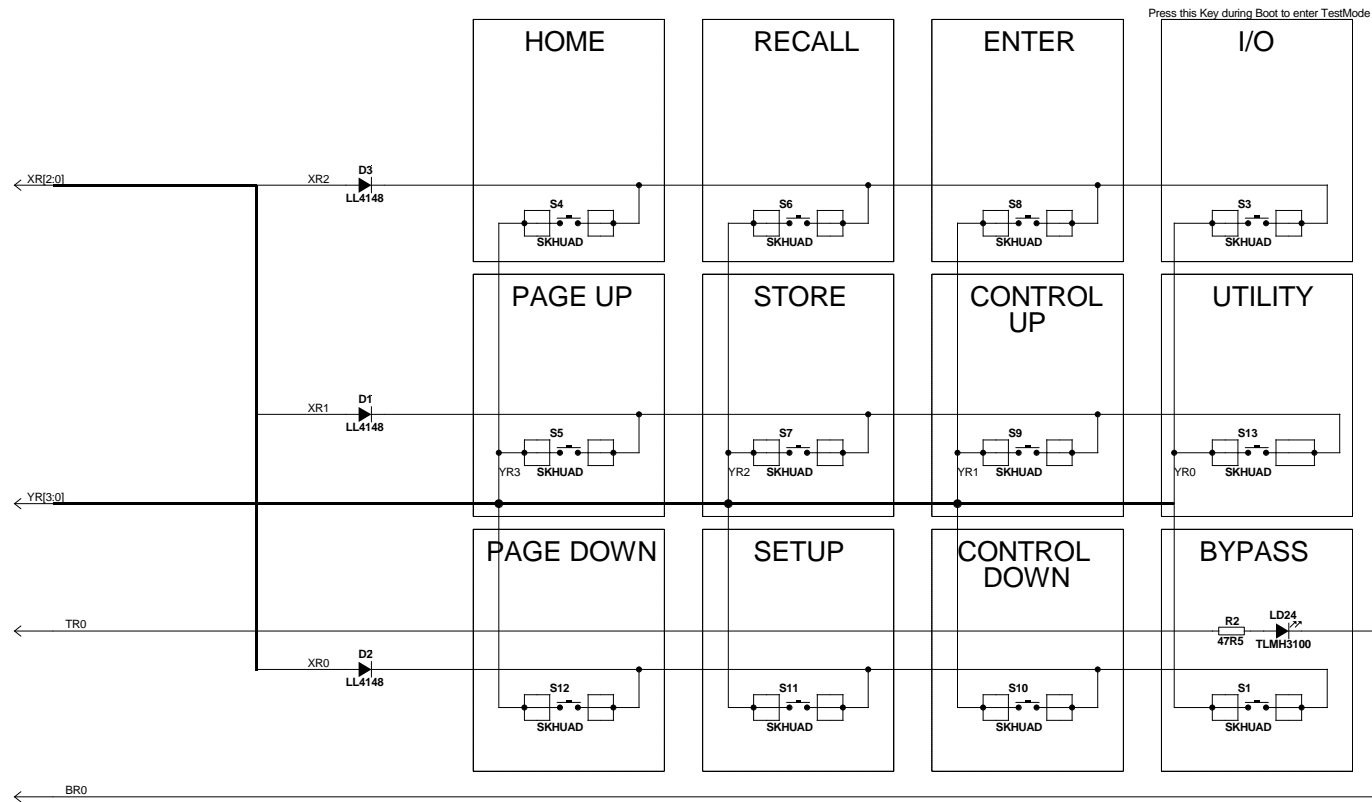
TC Electronic A/S		Designer NIM
Title VIKING 12	Module title ENCODERS SECTION	
Number P12512	Revision CAB	Previous page 1
Date 3-14-2003 10:16	Filename ENCODERS	Page / of 2 / 6

LEFT PCB



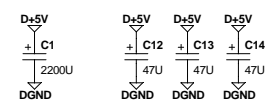
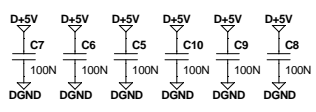
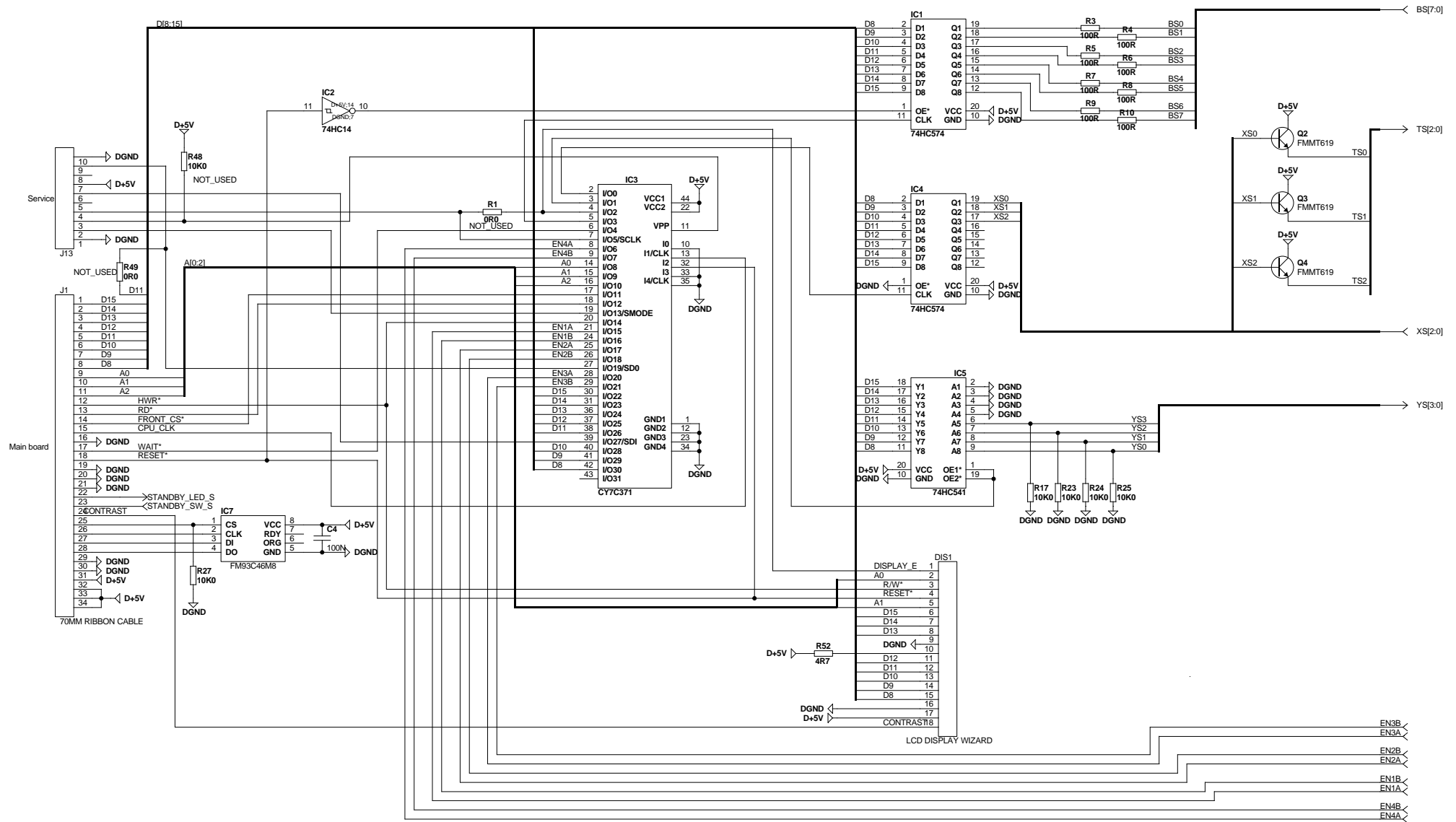
TC Electronic A/S		Designer NIM
Title Viking 12		Module title LEFT FRONT PCB
Number P12512	Revision CAB	Previous page 1
Date 3-14-2003 10:17	Filename LEFT_PCB	Page / of 3 / 6

RIGHT PCB

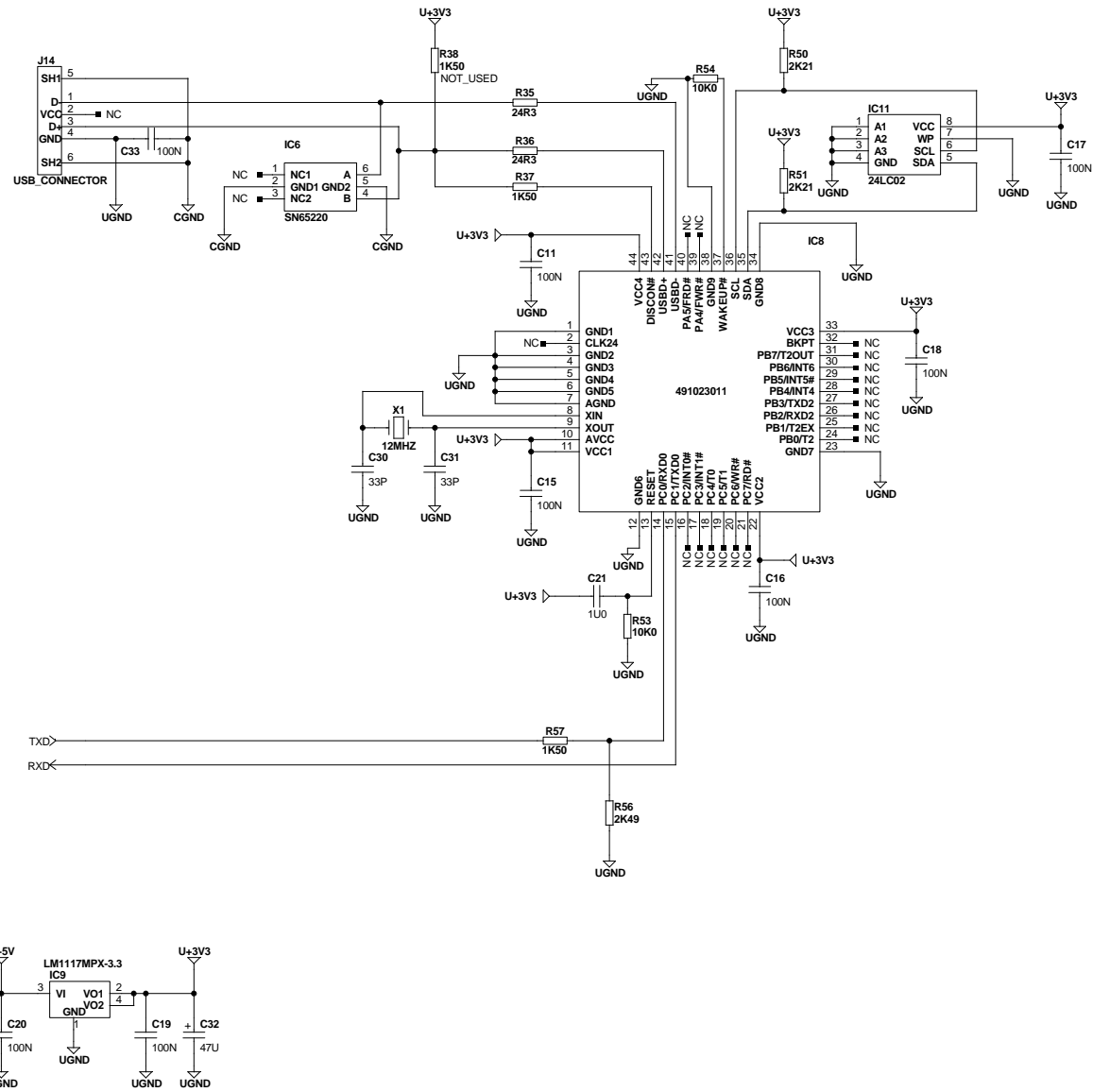


Title		Module title	
VIKING 12		RIGHT FRONT PCB	
Number	Revision	Previous page	
P12512	CAB	1	
Date	Filename	Page / of	
3-14-2003 10:14	RIGHT_PCB	4 / 6	

Designer
NIM



TC Electronic A/S		Designer
Title	VIKING 12	NIM
Module title	SCAN CHAIN SECTION	
Number	P12512	Revision
Date	3-14-2003 14:26	Filename
Page / of	5 / 6	Previous page
		Page / of



TC Electronic A/S		Designer
Title	VIKING 12	NIM
Module title	USB MODULE	
Number	Revision	Previous page
P12512	CAB	1
Date	Filename	Page / of
9-16-2003 12:57	USB	6 / 6