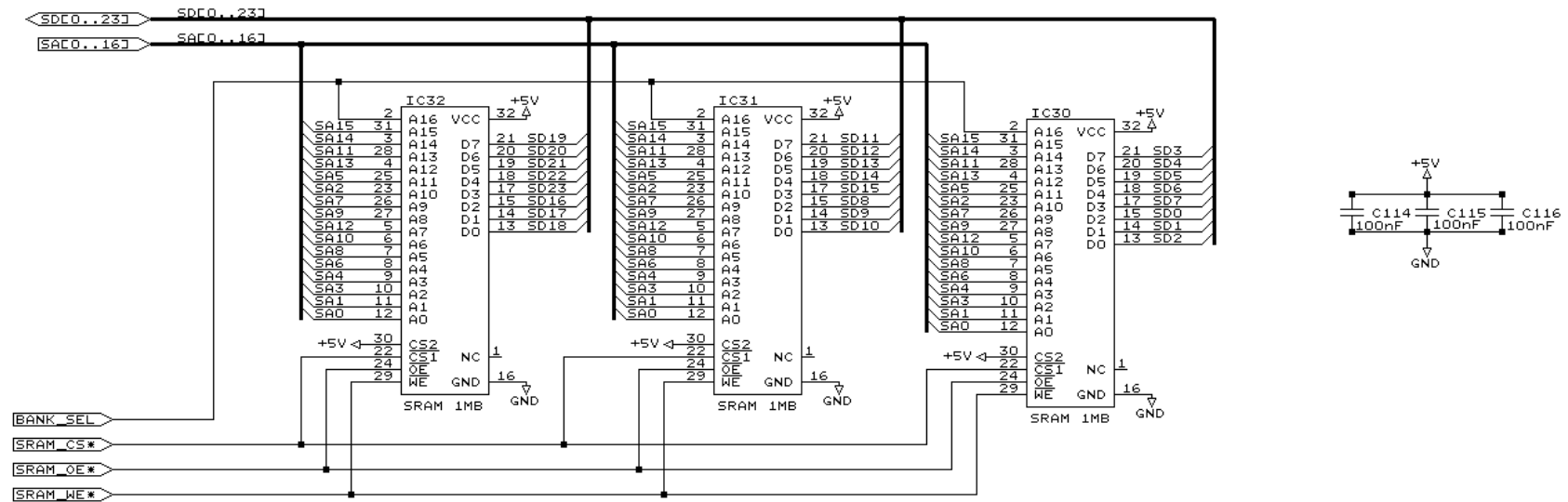
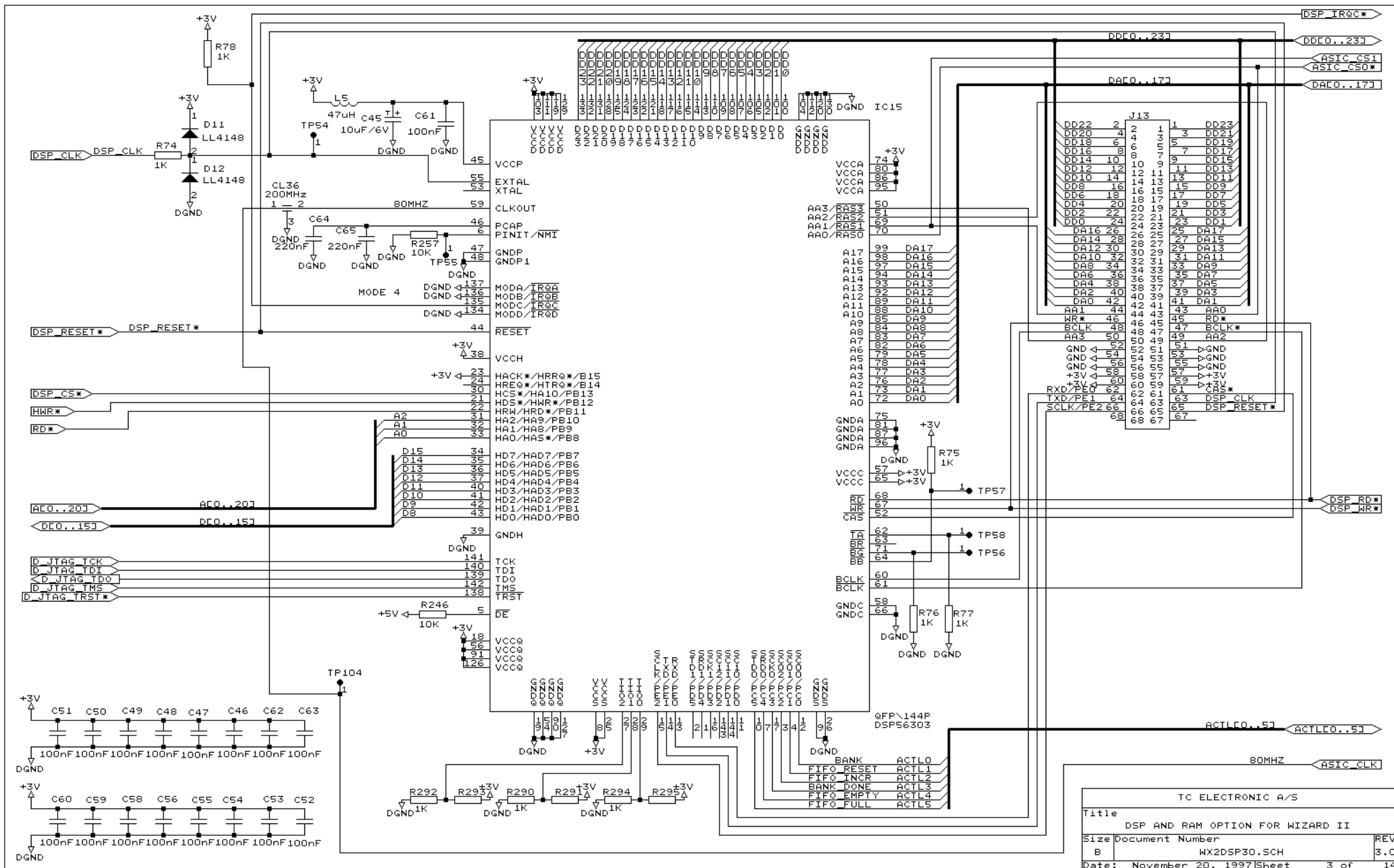
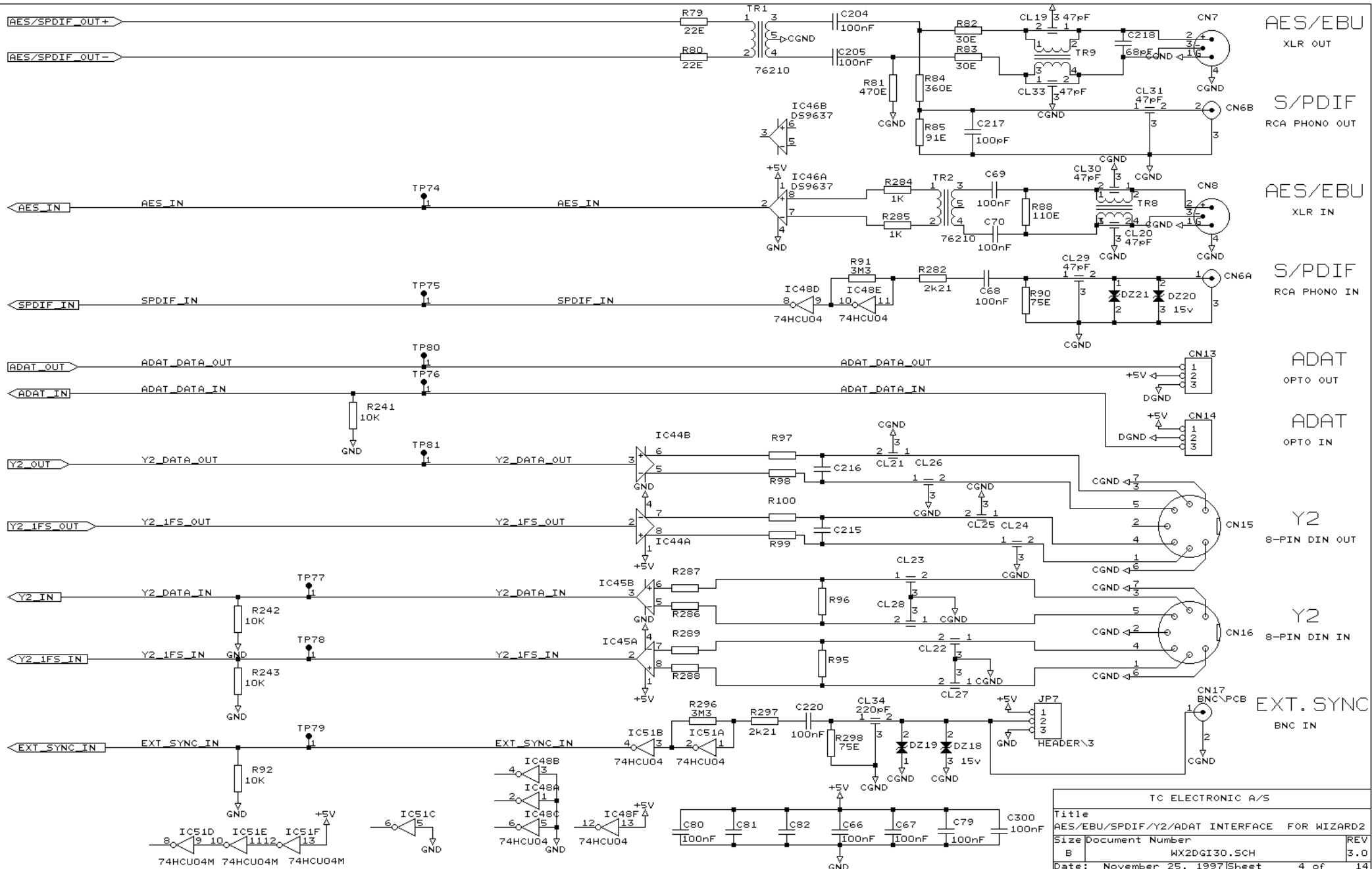


TC ELECTRONIC A/S			
Title			
WIZARD II MAIN BOARD			
Size	Document Number	REV	
B	P1300130.SCH	3.0	
Date:	March 4, 1999	Sheet	1 of 14

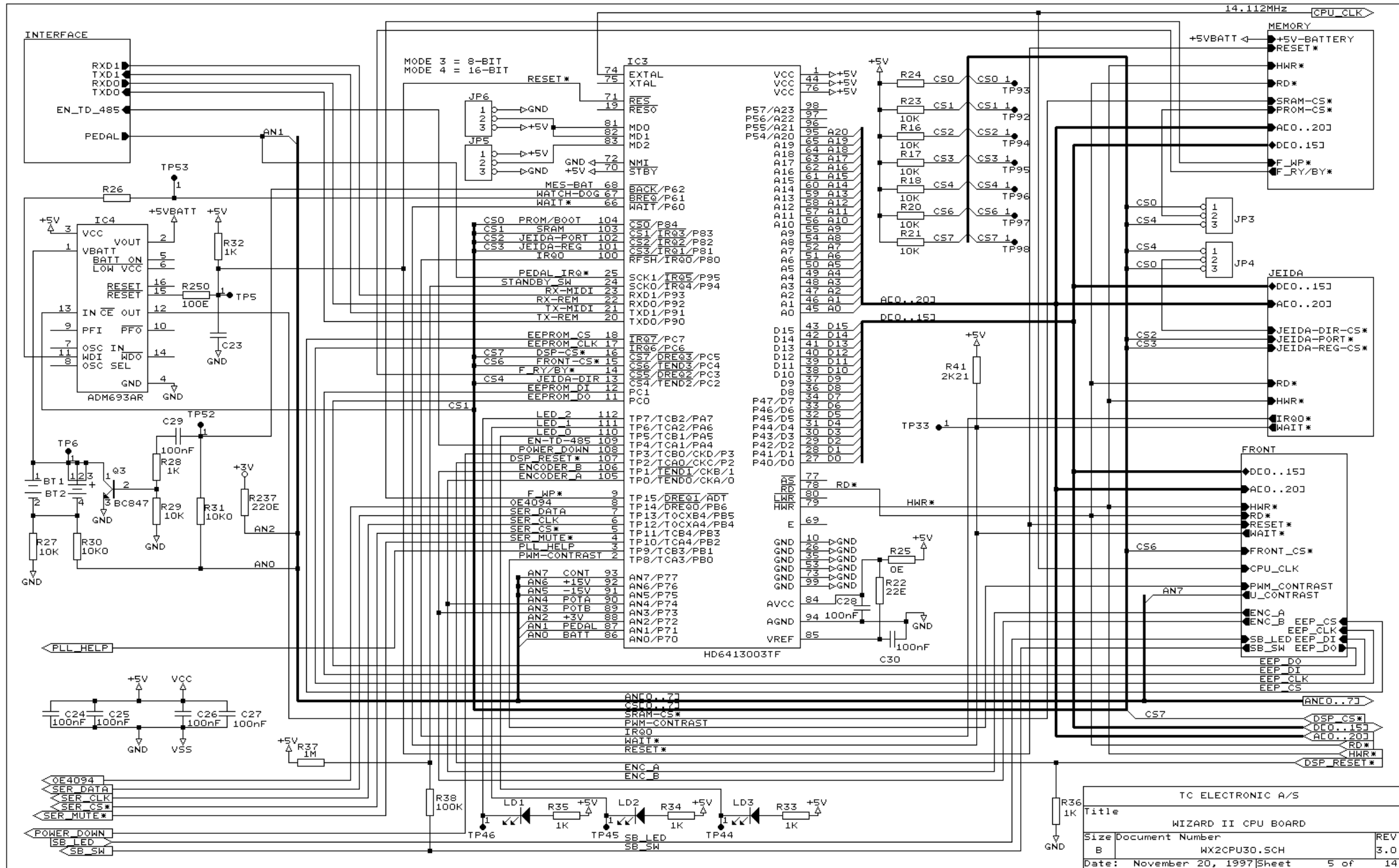


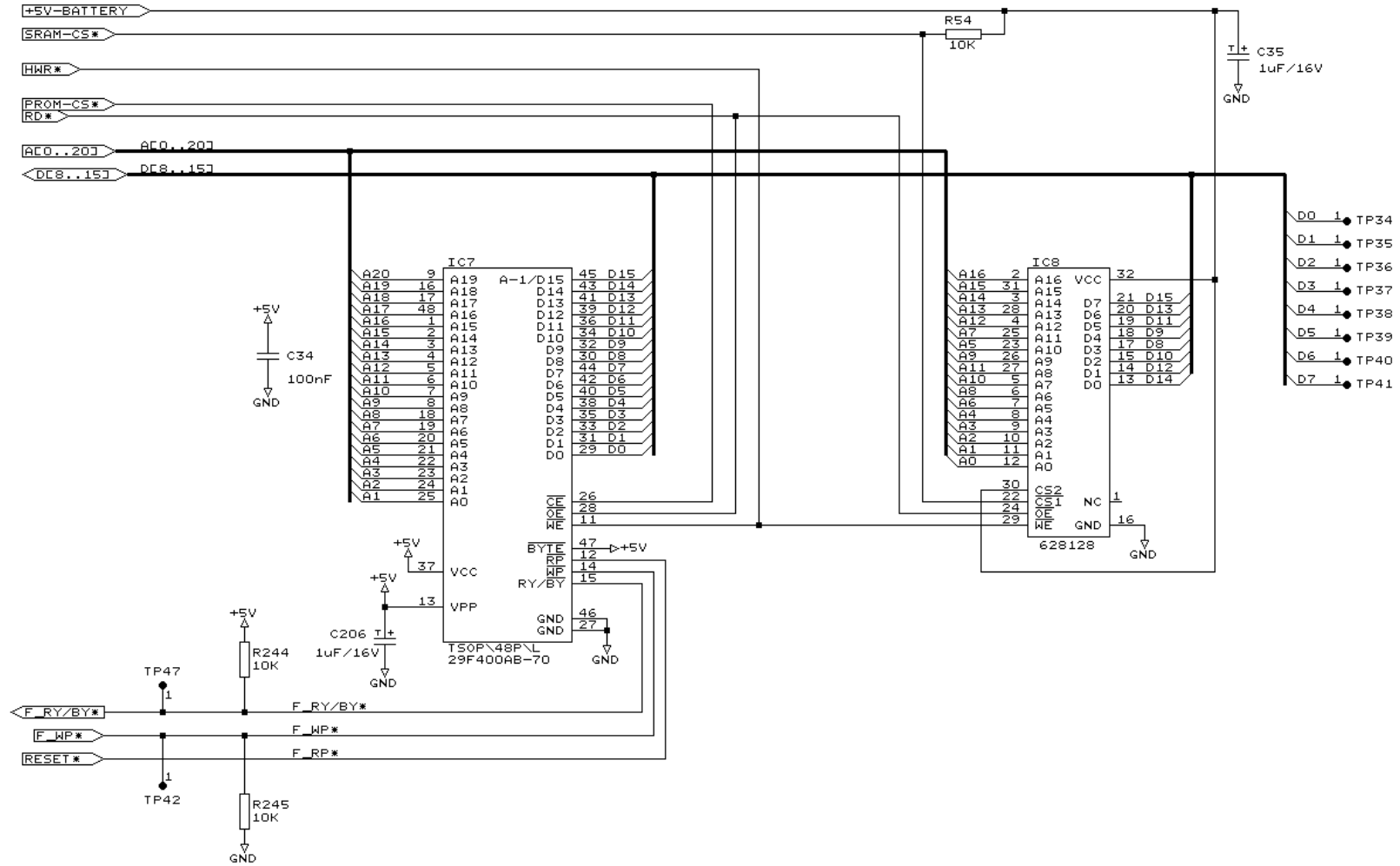
TC ELECTRONIC A/S		
Title		
MEMORY FOR DSP FOR VIKING		
Size	Document Number	REV
B	HX2DSM30.SCH	3.0
Date:	November 20, 1997	Sheet 2 of 14



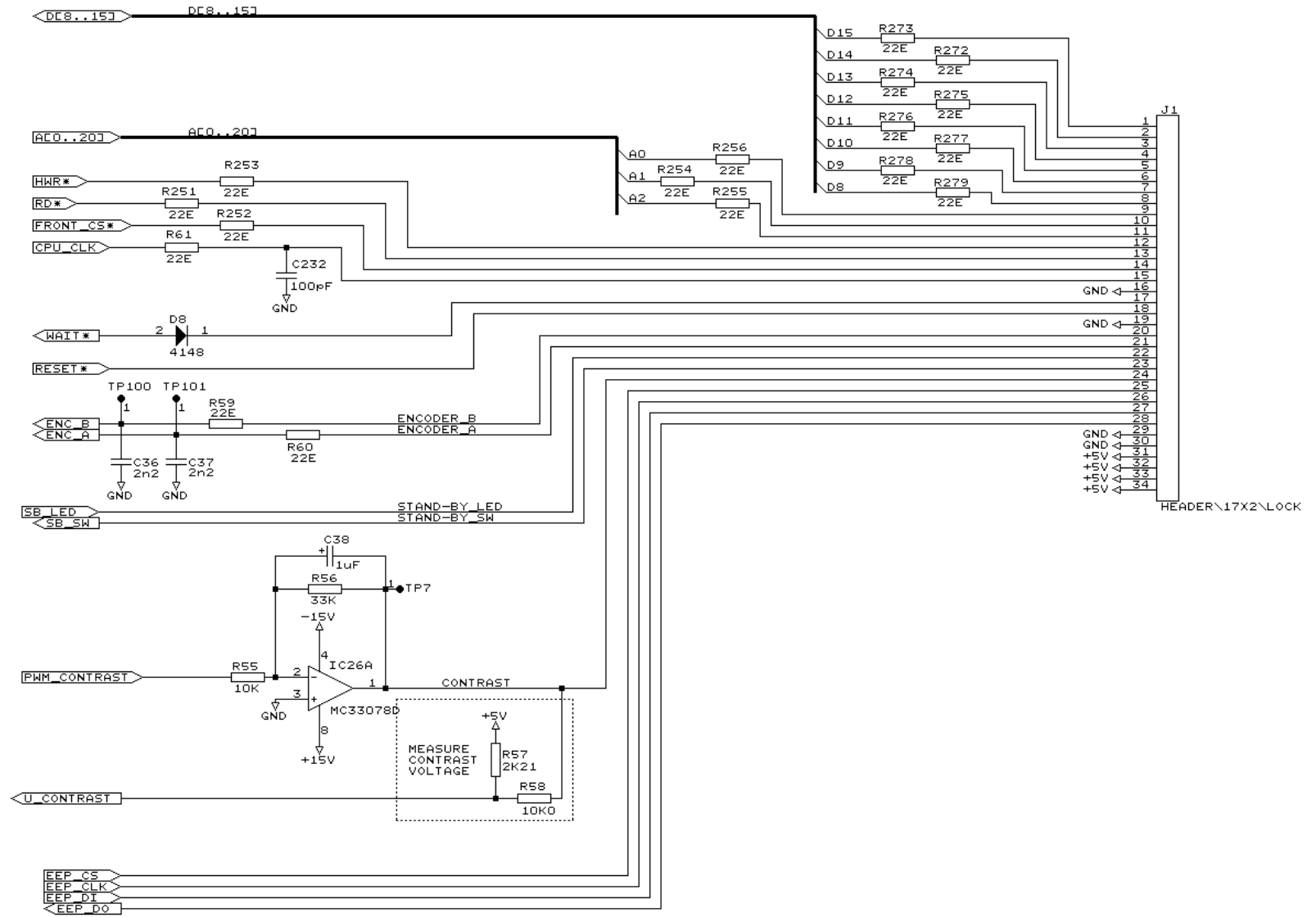


TC ELECTRONIC A/S		
Title	AES/EBU/SPDIF/Y2/ADAT INTERFACE FOR WIZARD2	
Size	Document Number	REV
B	HX2DGI30.SCH	3.0
Date:	November 25, 1997	Sheet 4 of 14



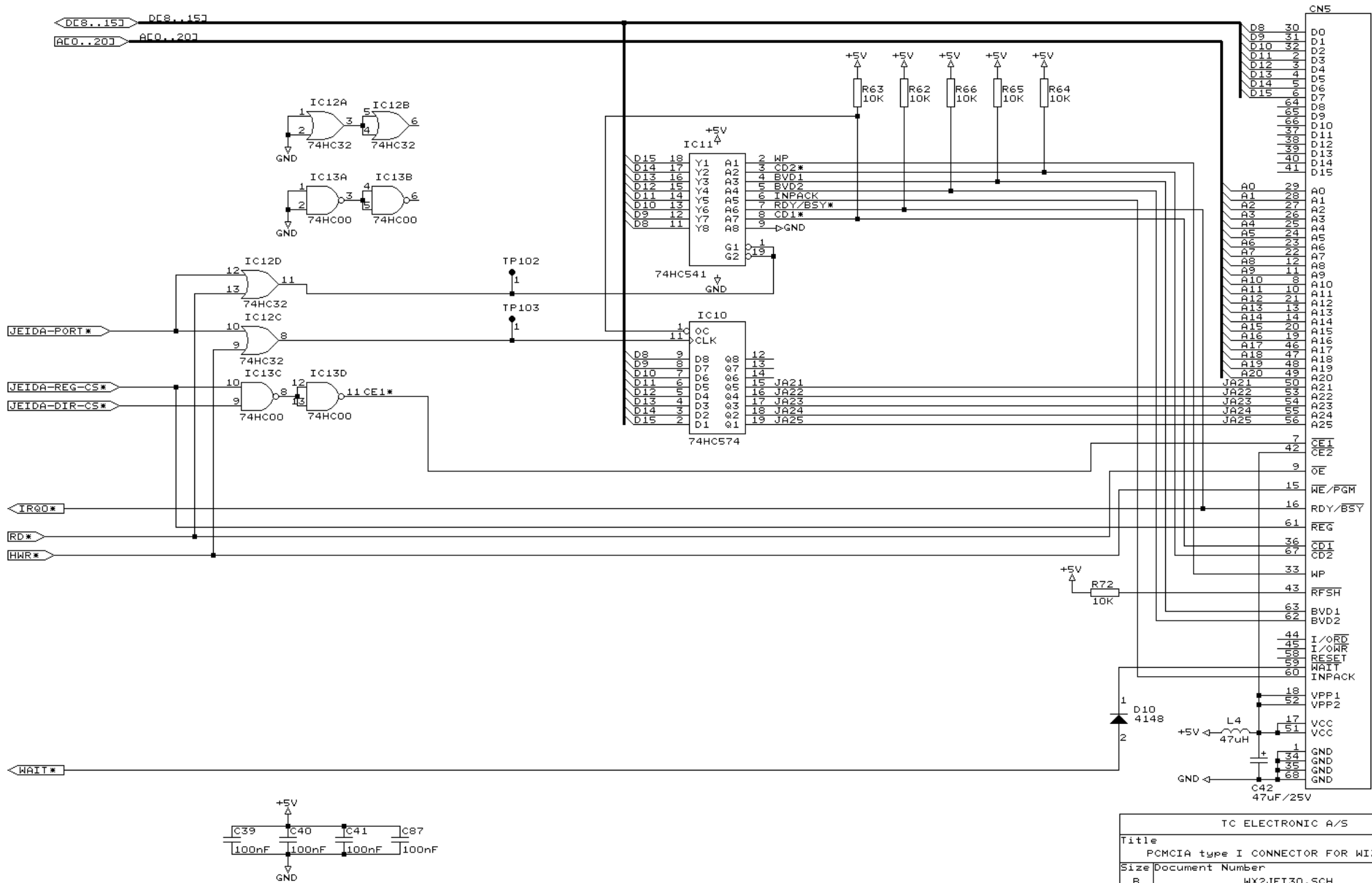


TC ELECTRONIC A/S		
Title CPU-MEMORY FOR WIZARD II		
Size	Document Number	REV
B	HX2MEM30.SCH	3.0
Date:	November 20, 1997	Sheet 6 of 14

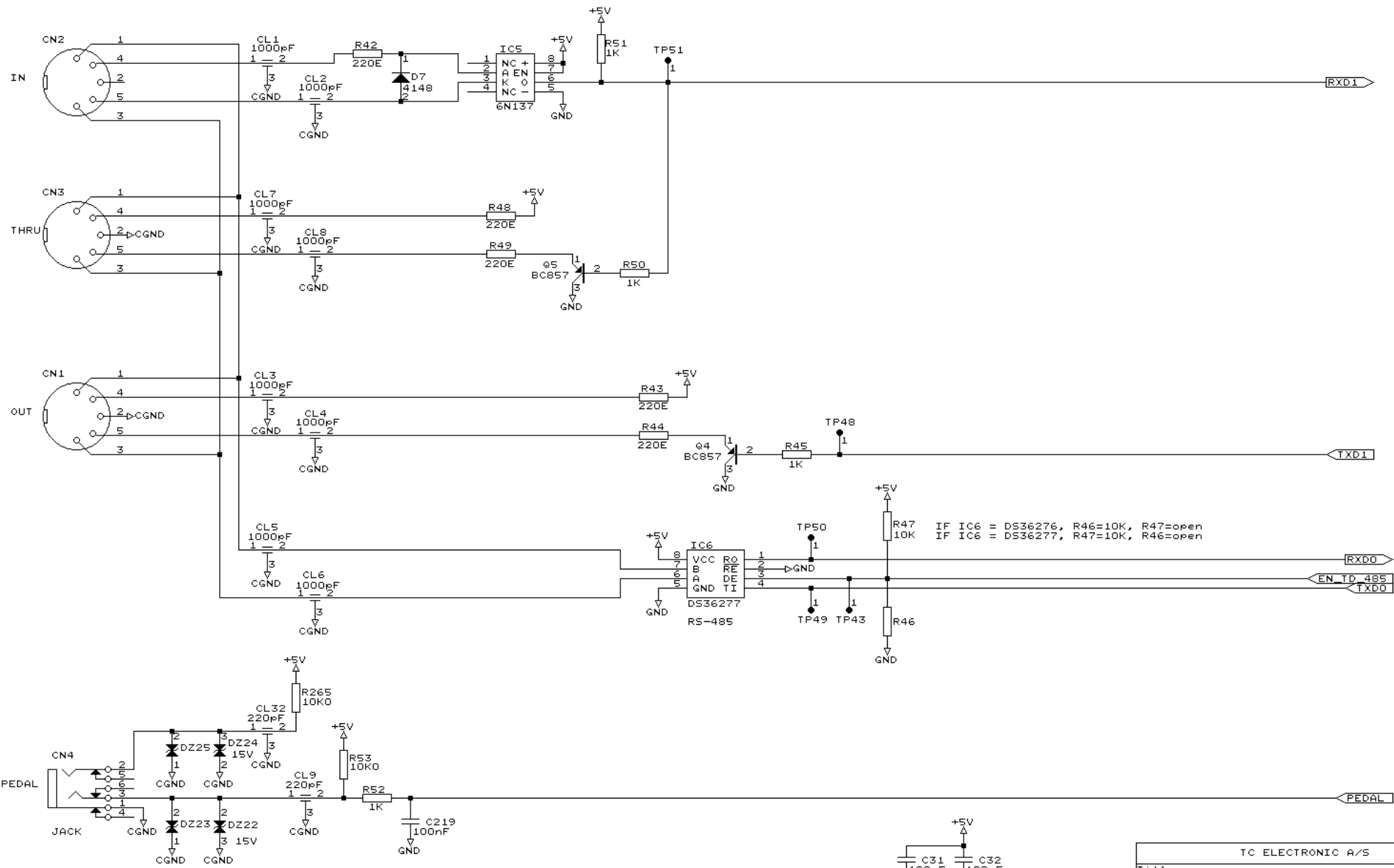


TC ELECTRONIC A/S		
Title CONNECTION TO FRONT PCB FOR WIZARD II		
Size	Document Number	REV
B	HX2FNT30.SCH	3.0
Date:	November 20, 1997	Sheet 7 of 14

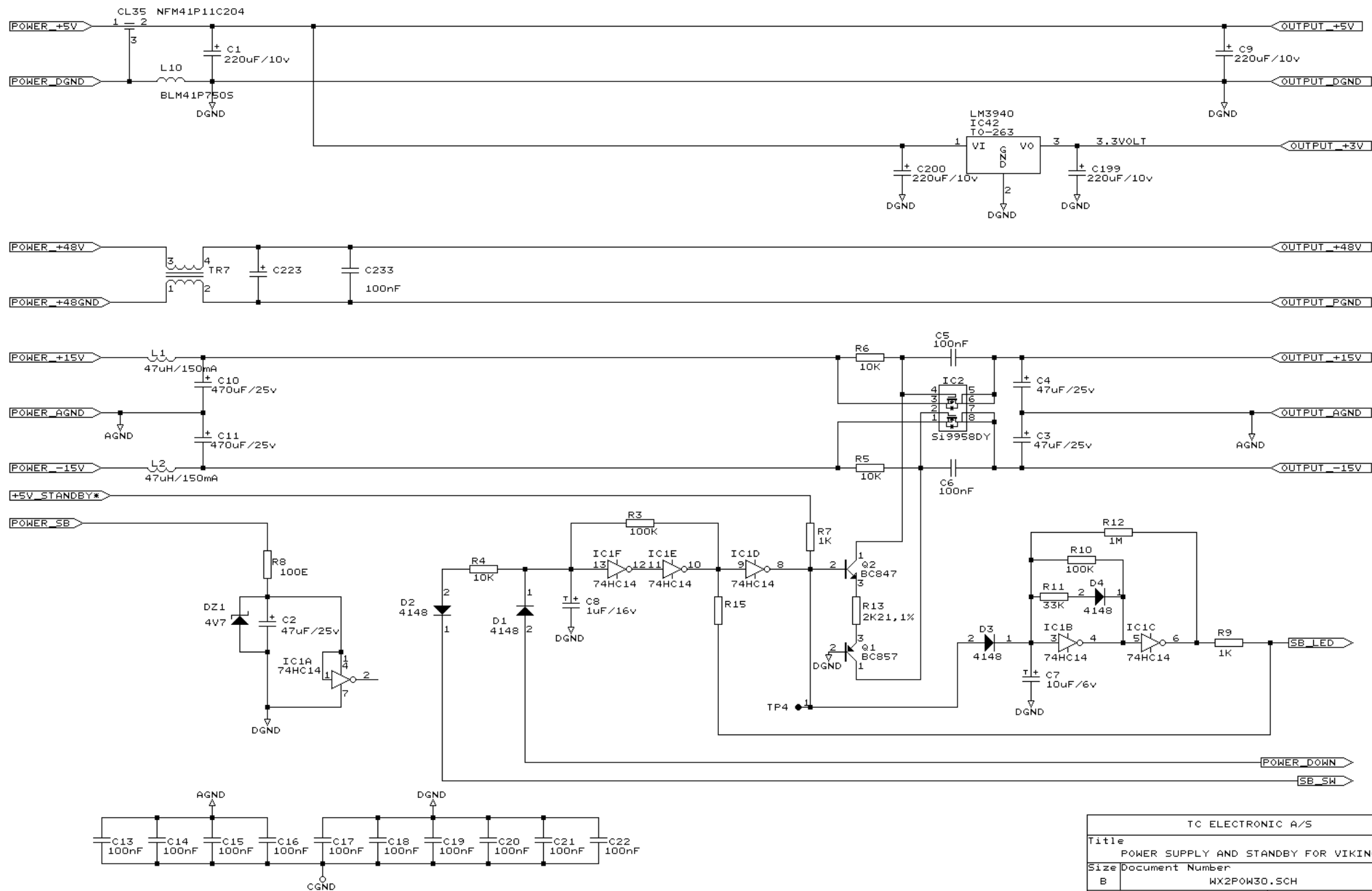
PCMCIA type I CONNECTOR FOR WIZARD II



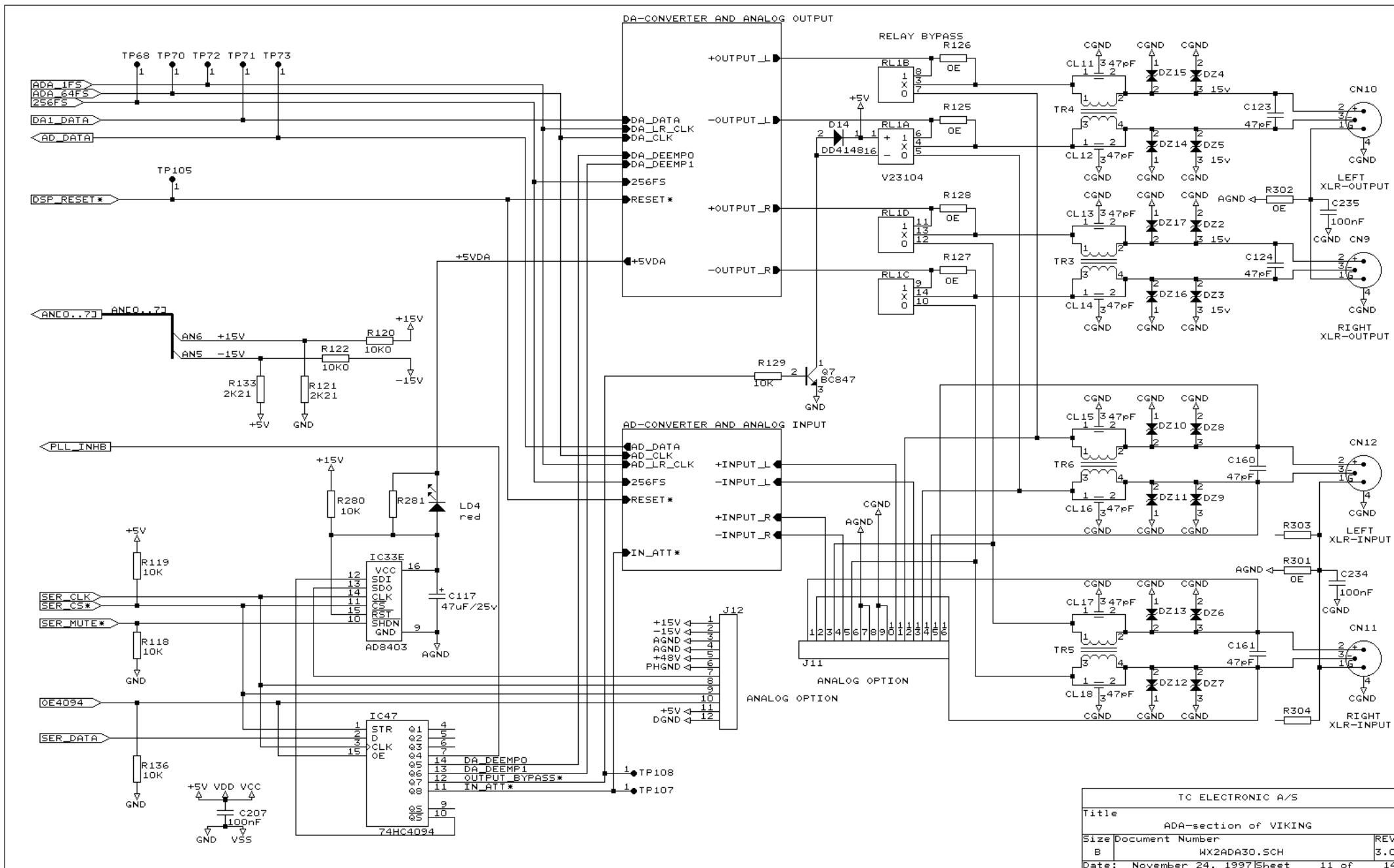
TC ELECTRONIC A/S		
Title	PCMCIA type I CONNECTOR FOR WIZARD II	
Size	Document Number	REV
B	HX2JEI30.SCH	3.0
Date:	November 20, 1997	Sheet 8 of 14



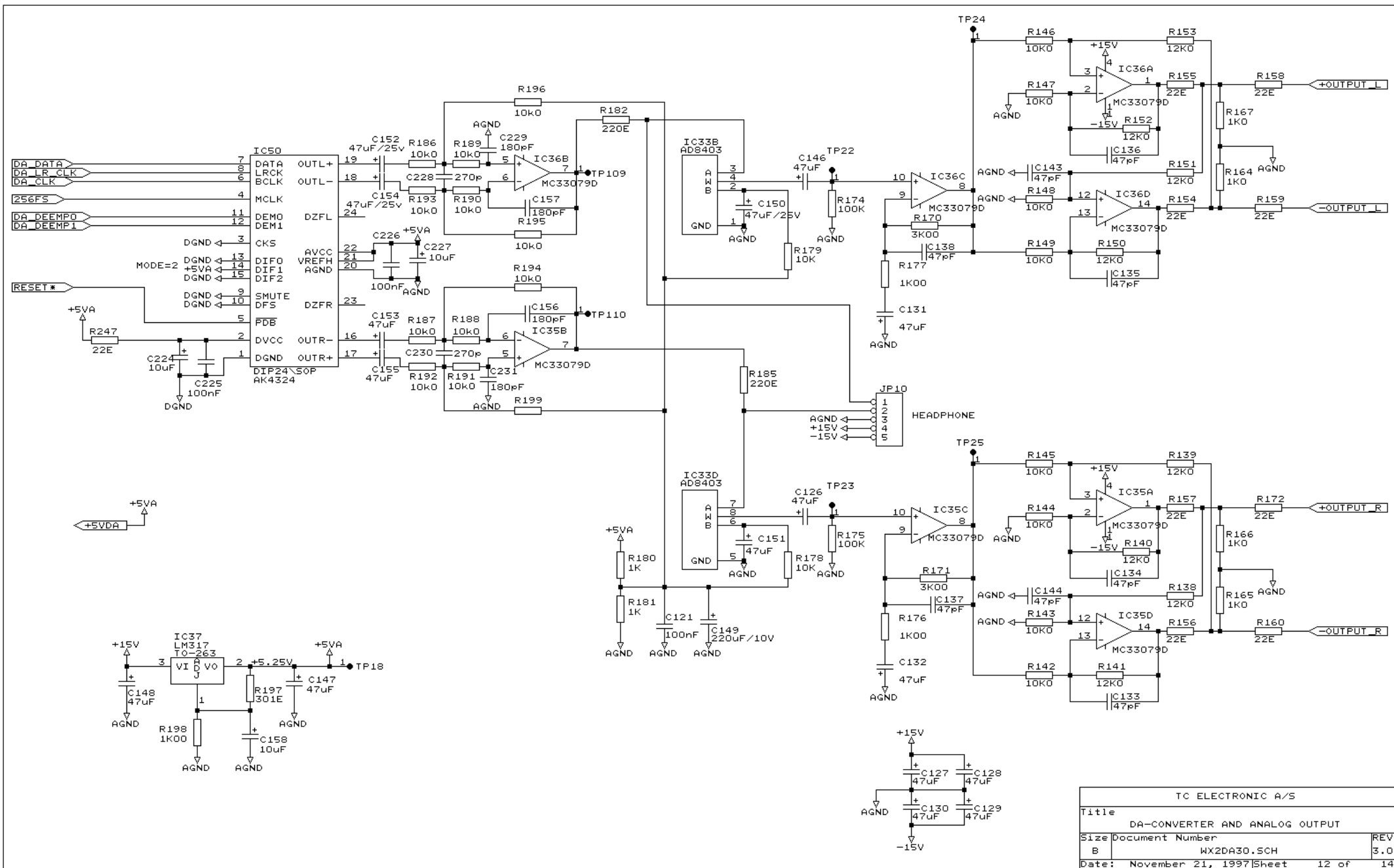
TC ELECTRONIC A/S		
Title MIDI/REMOTE/PEDAL INTERFACE FOR WIZARD II		
Size	Document Number	REV
B	HX2INT30.SCH	3.0
Date:	November 20, 1997	Sheet 9 of 14



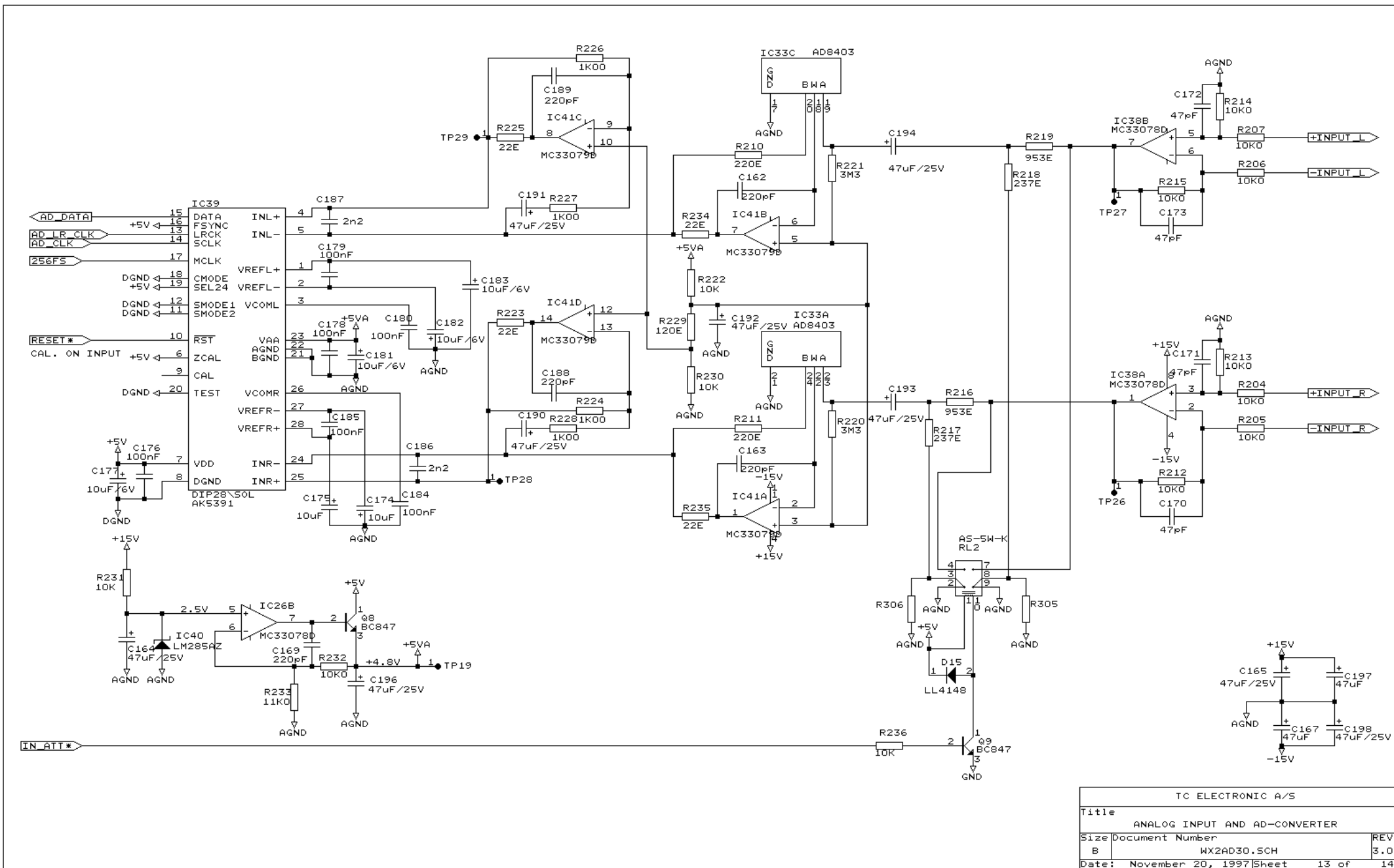
TC ELECTRONIC A/S		
Title	POWER SUPPLY AND STANDBY FOR VIKING	
Size	Document Number	REV
B	HX2P0W30.SCH	3.0
Date:	November 19, 1997	Sheet 10 of 14



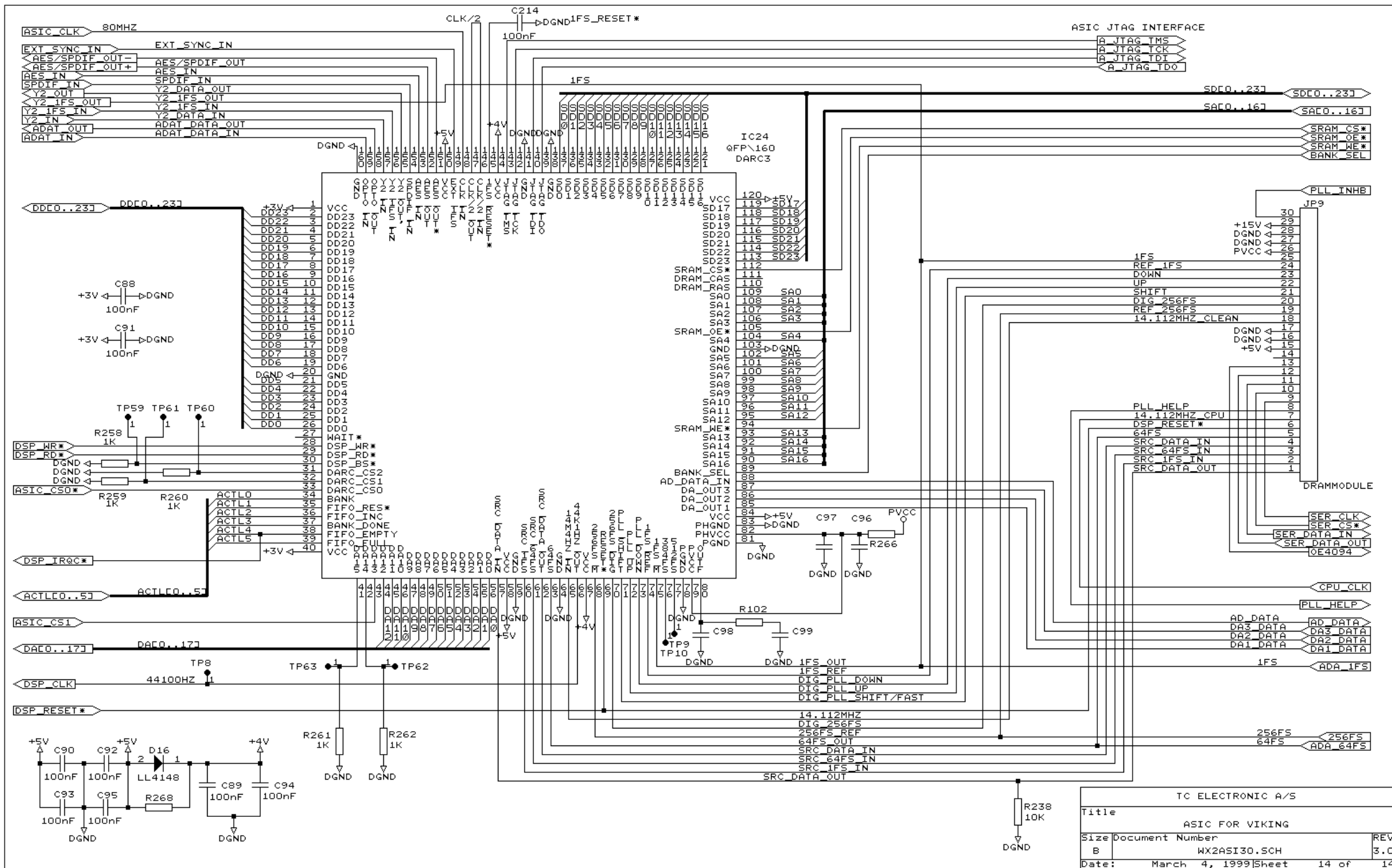
TC ELECTRONIC A/S		
Title ADA-section of VIKING		
Size	Document Number	REV
B	HX2ADA30.SCH	3.0
Date:	November 24, 1997	Sheet 11 of 14



TC ELECTRONIC A/S		
Title DA-CONVERTER AND ANALOG OUTPUT		
Size	Document Number	REV
B	HX2DA30.SCH	3.0
Date:	November 21, 1997	Sheet 12 of 14



TC ELECTRONIC A/S		
Title ANALOG INPUT AND AD-CONVERTER		
Size	Document Number	REV
B	HX2AD30.SCH	3.0
Date:	November 20, 1997	Sheet 13 of 14



TC ELECTRONIC A/S		
Title	ASIC FOR VIKING	
Size	Document Number	REV
B	WX2ASI30.SCH	3.0
Date:	March 4, 1999	Sheet 14 of 14