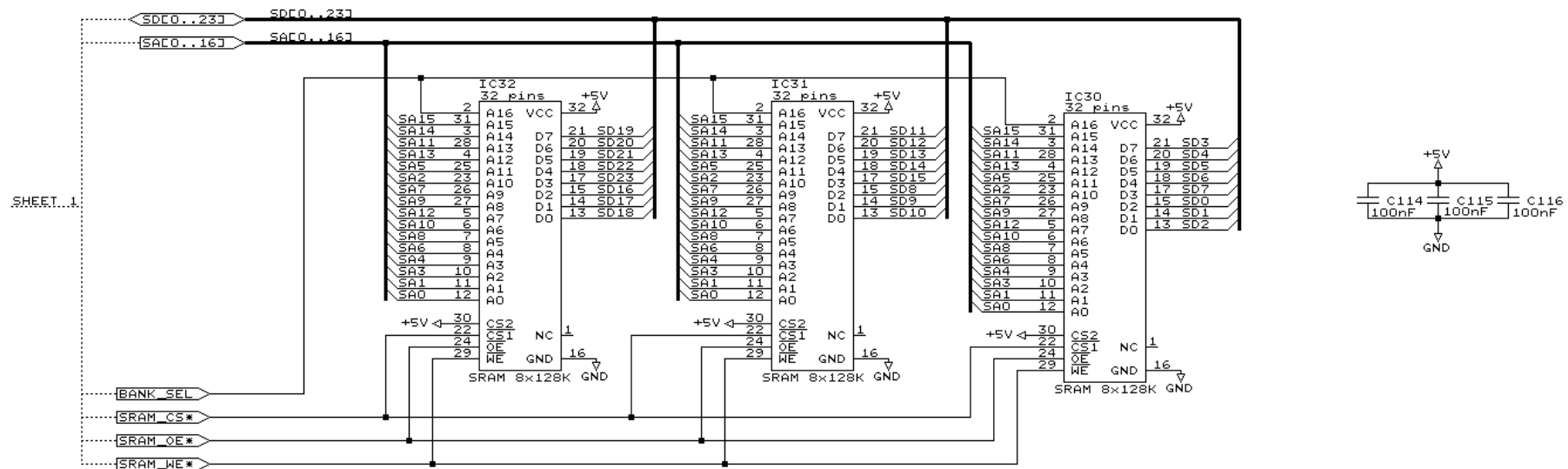


(#) : NOT USED

TC ELECTRONIC A/S		
PCB NAME: WIZARD II, PC13001-4		
Title "DBMAX MAIN BOARD" MAIN BOARD		
Size	Document Number	REV
B	DBMAX / D22 "HIGH LEVEL"	4.7
Date:	June 9, 1999	Sheet 1 of 14

ALL VOLTAGES ARE MEASURED WITH DGND AS REFERENCE.

# SOUND RAM

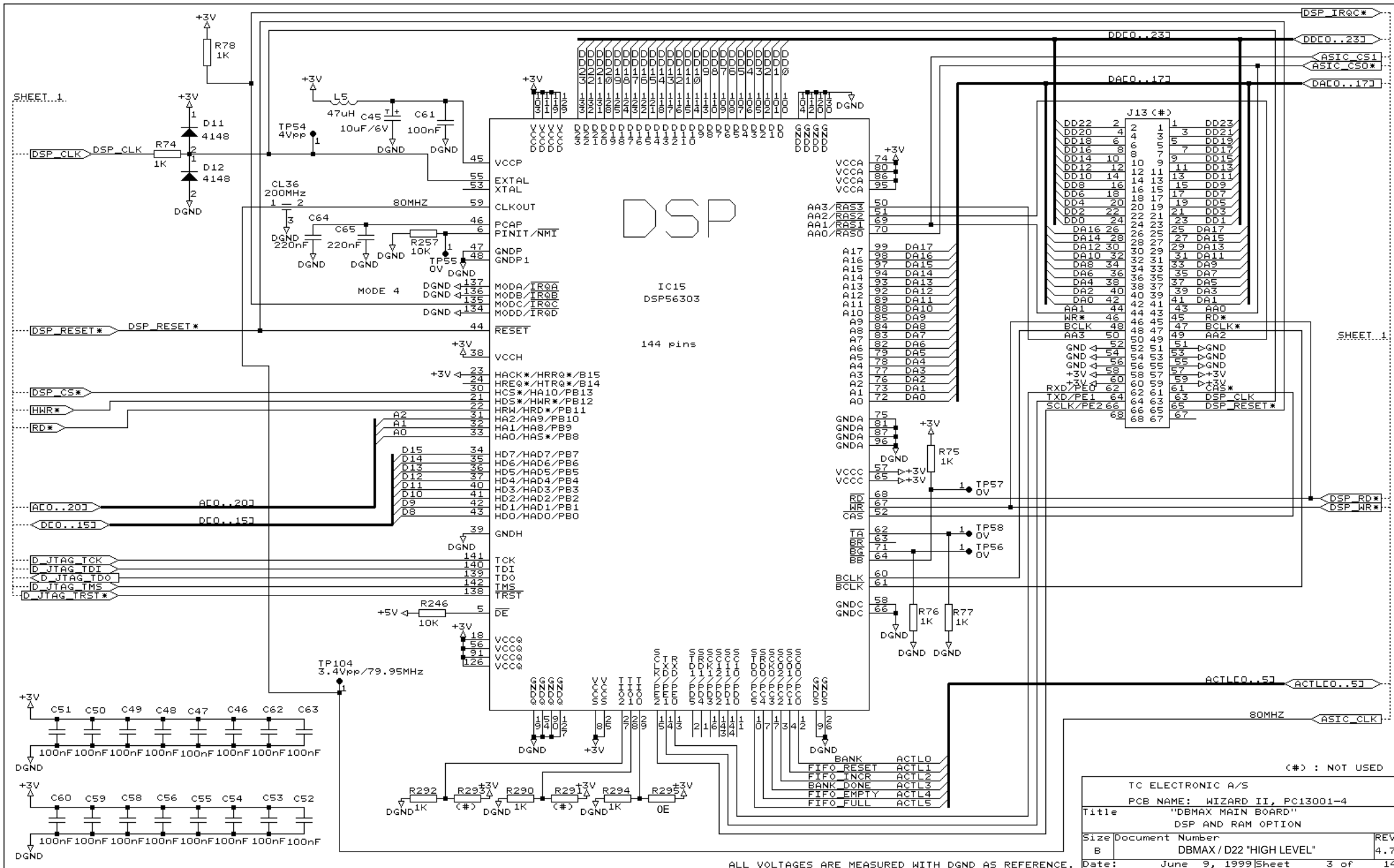


SHEET...1

(<#> : NOT USED

TC ELECTRONIC A/S		
PCB NAME: WIZARD II, PC13001-4		
Title "DBMAX MAIN BOARD"		
MEMORY FOR DSP		
Size	Document Number	REV
B	DBMAX / D22 "HIGH LEVEL"	4.7
Date:	June 9, 1999	Sheet 2 of 14

ALL VOLTAGES ARE MEASURED WITH DGND AS REFERENCE.

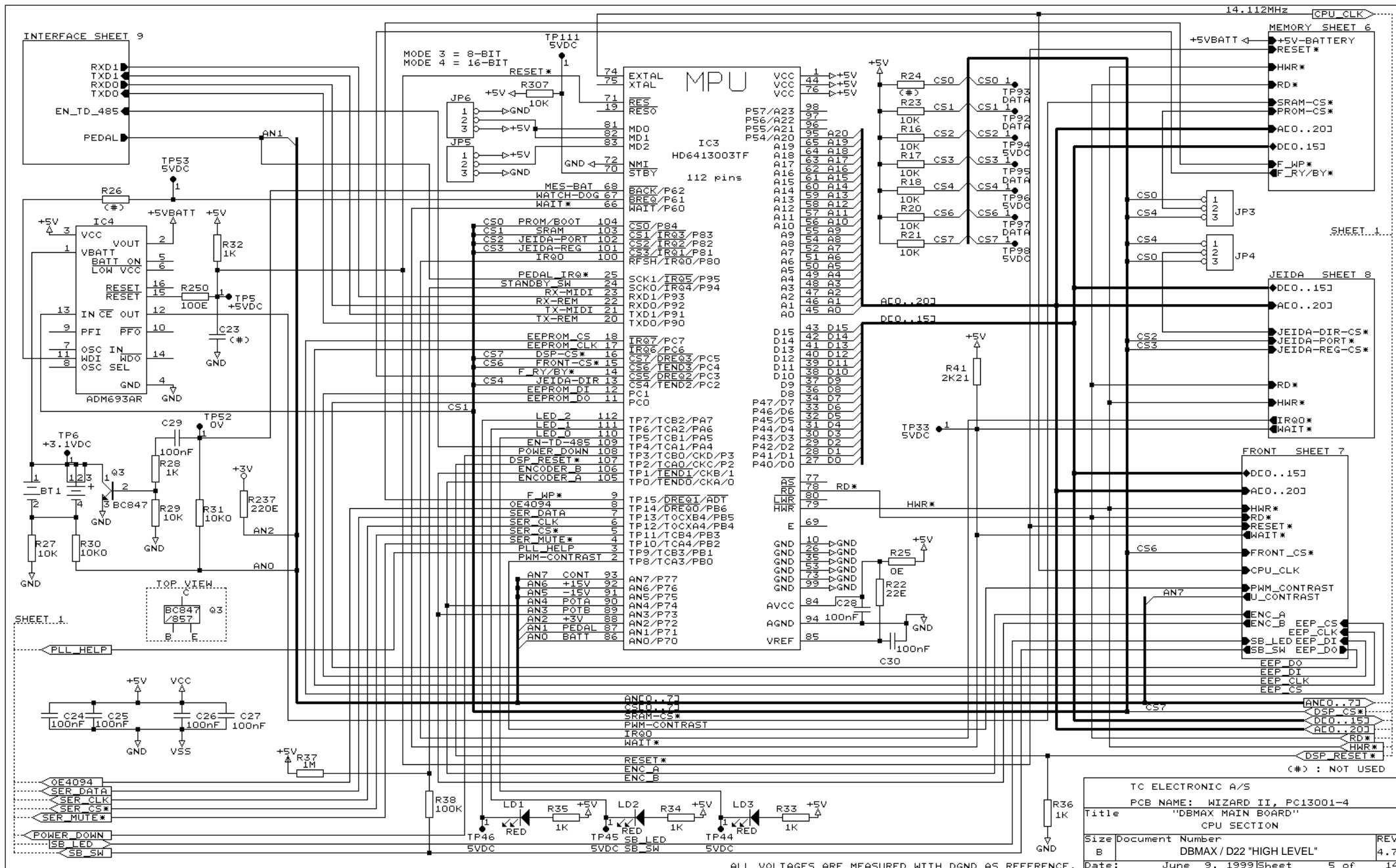


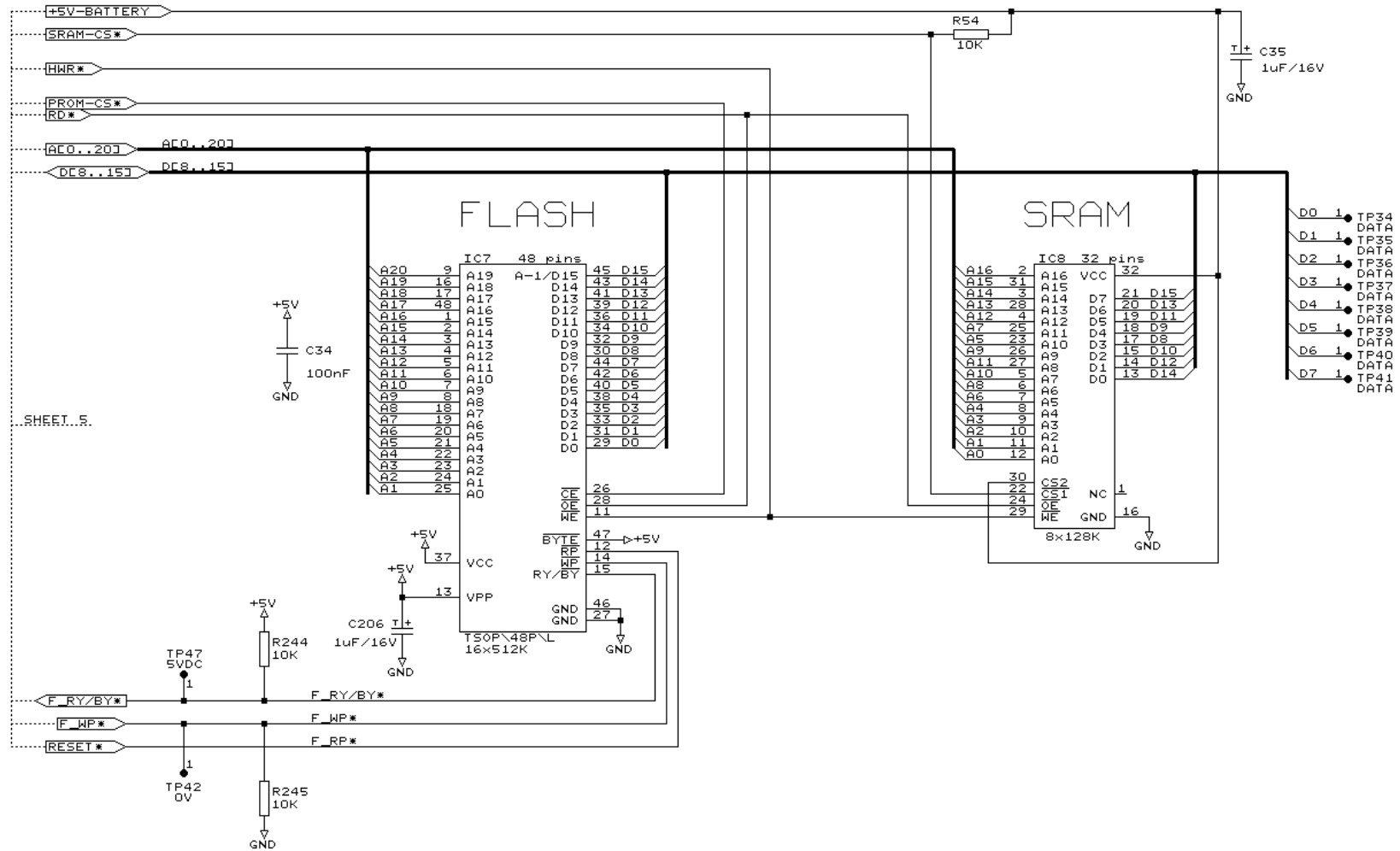
(#) : NOT USED

TC ELECTRONIC A/S		
PCB NAME: WIZARD II, PC13001-4		
Title "DBMAX MAIN BOARD" DSP AND RAM OPTION		
Size	Document Number	REV
B	DBMAX / D22 "HIGH LEVEL"	4.7
Date:	June 9, 1999	Sheet 3 of 14

ALL VOLTAGES ARE MEASURED WITH DGND AS REFERENCE.





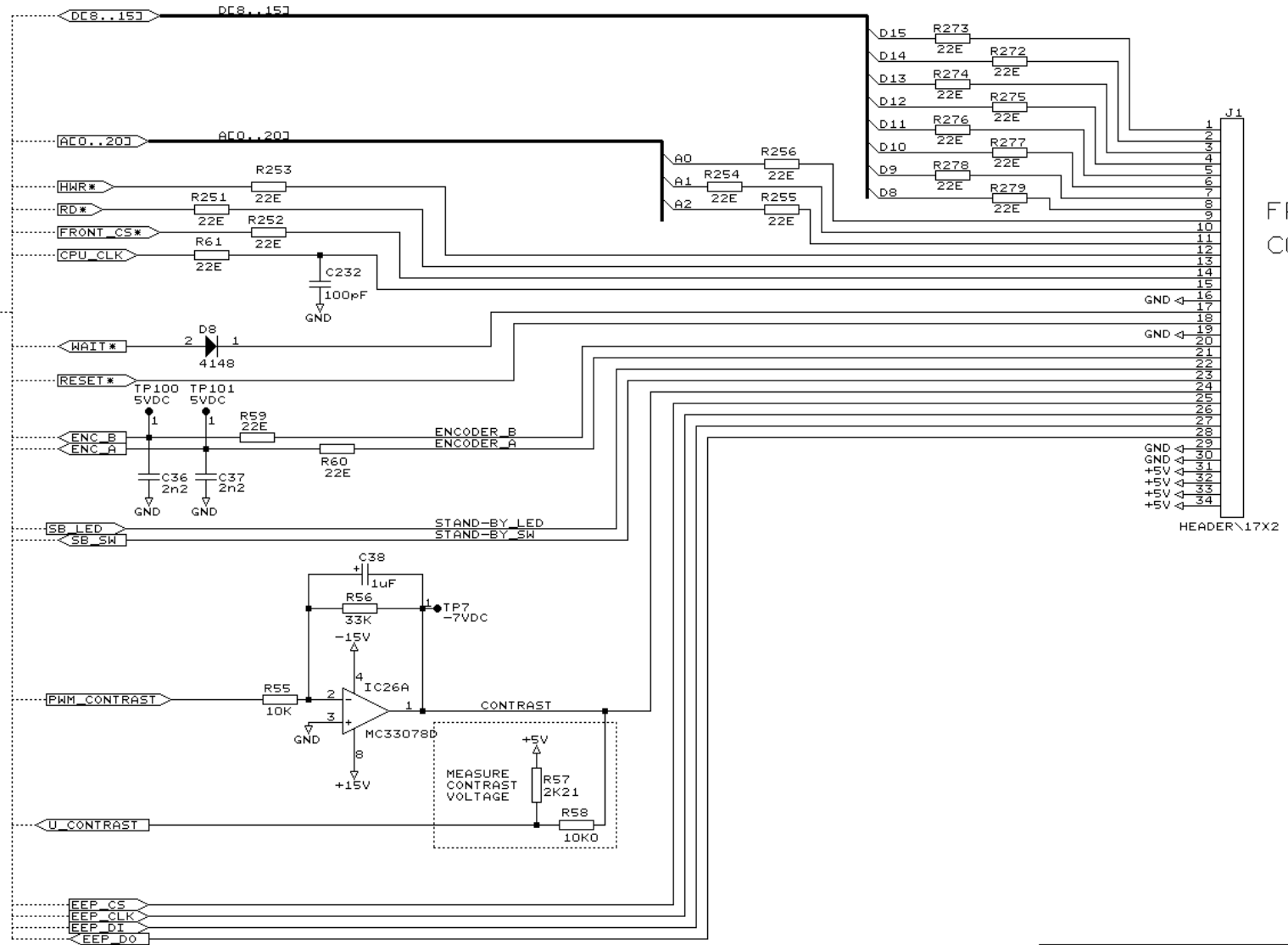


SHEET...5

(#) : NOT USED

TC ELECTRONIC A/S		
PCB NAME: WIZARD II, PC13001-4		
Title "DBMAX MAIN BOARD" CPU MEMORY		
Size	Document Number	REV
B	DBMAX / D22 "HIGH LEVEL"	4.7
Date:	June 9, 1999	Sheet 6 of 14

SHEET 5

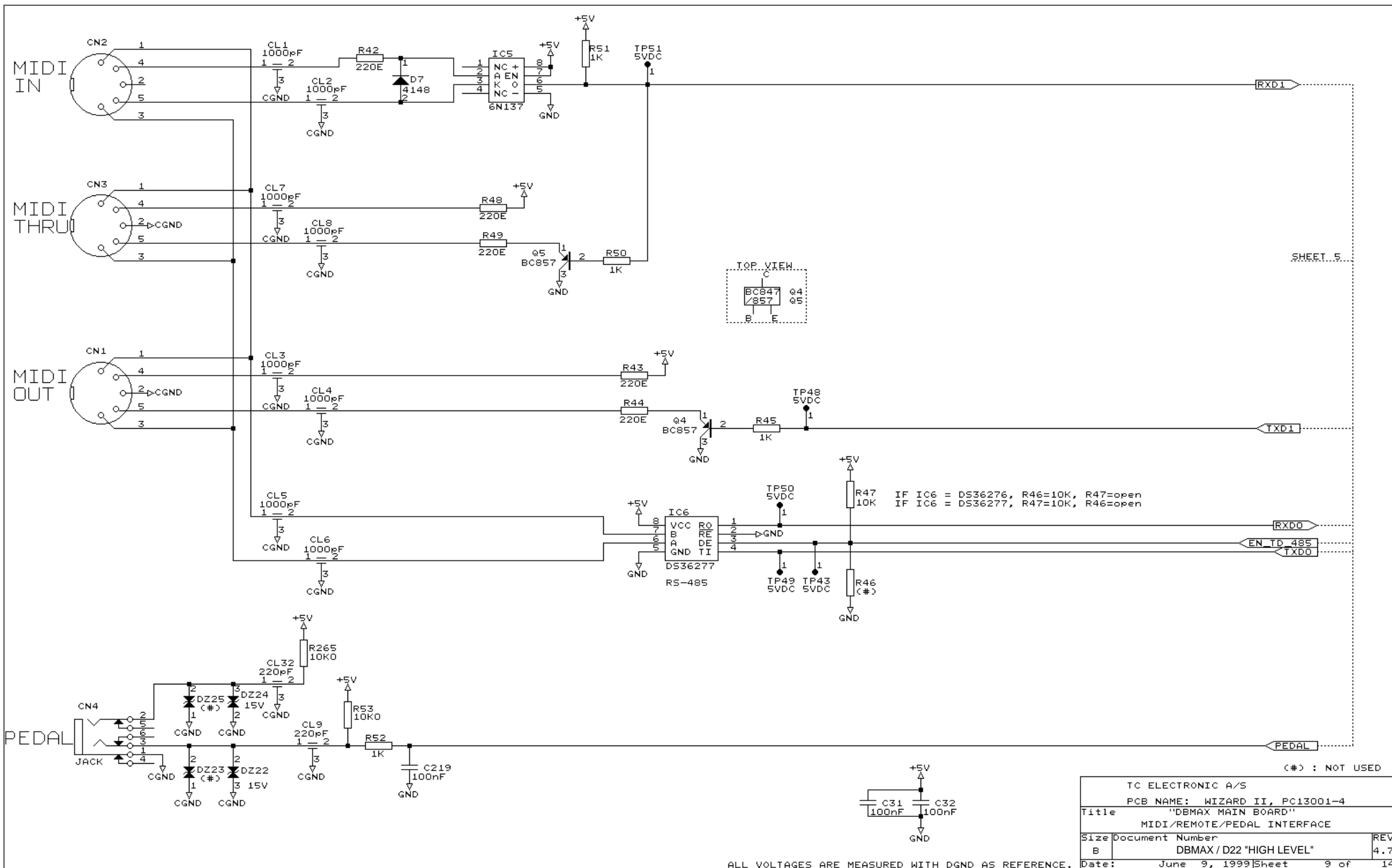


(#) : NOT USED

TC ELECTRONIC A/S		
PCB NAME: WIZARD II, PC13001-4		
Title "DBMAX MAIN BOARD"		
CONNECTION TO FRONT PCB		
Size	Document Number	REV
B	DBMAX / D22 "HIGH LEVEL"	4.7
Date:	June 9, 1999	Sheet 7 of 14





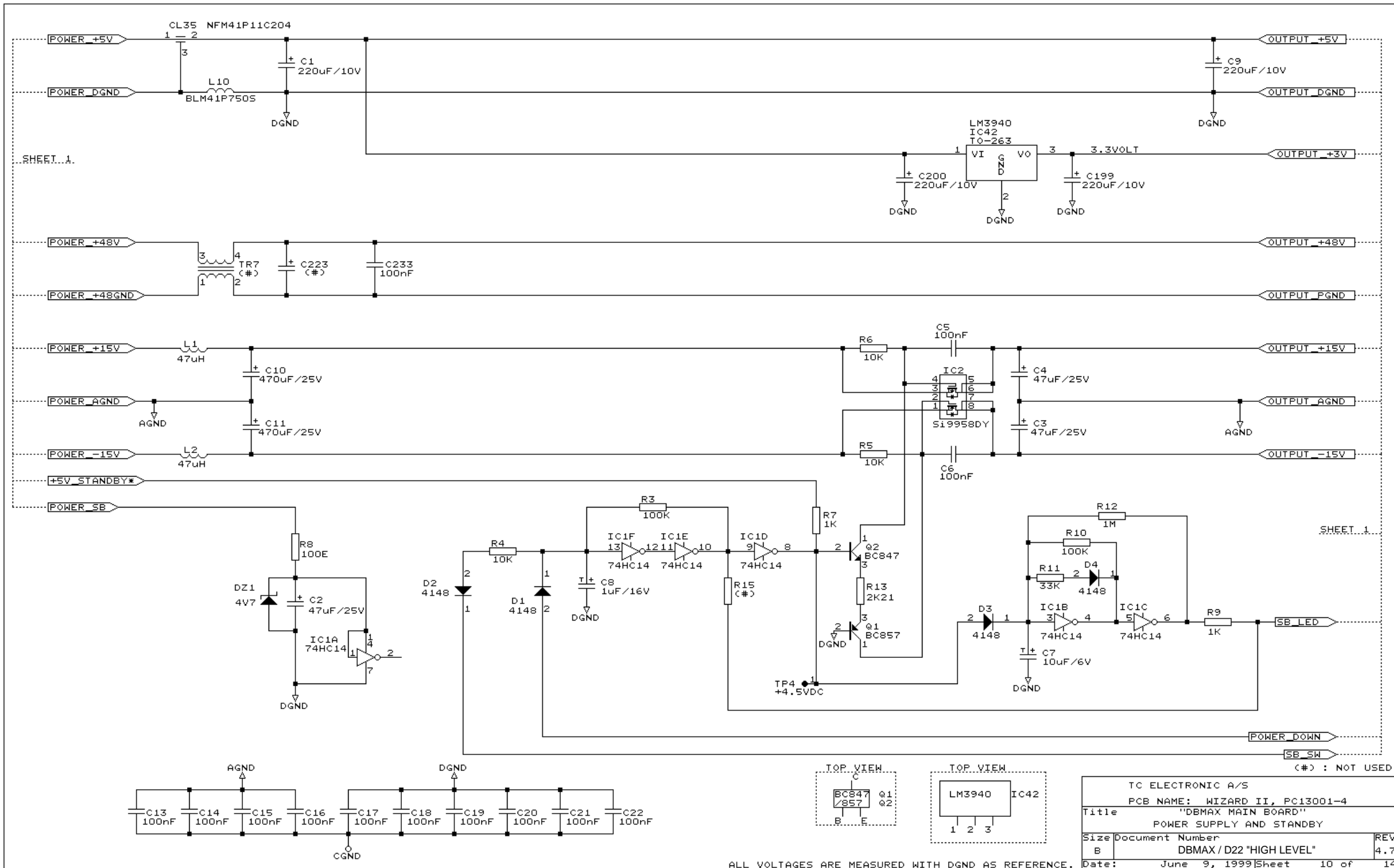


SHEET...5...

(#) : NOT USED

TC ELECTRONIC A/S		
PCB NAME: WIZARD II, PC13001-4		
Title "DBMAX MAIN BOARD"		
MIDI/REMOTE/PEDAL INTERFACE		
Size	Document Number	REV
B	DBMAX / D22 "HIGH LEVEL"	4.7
Date:	June 9, 1999	Sheet 9 of 14

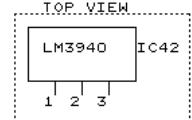
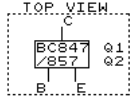
ALL VOLTAGES ARE MEASURED WITH DGND AS REFERENCE.



SHEET...1.

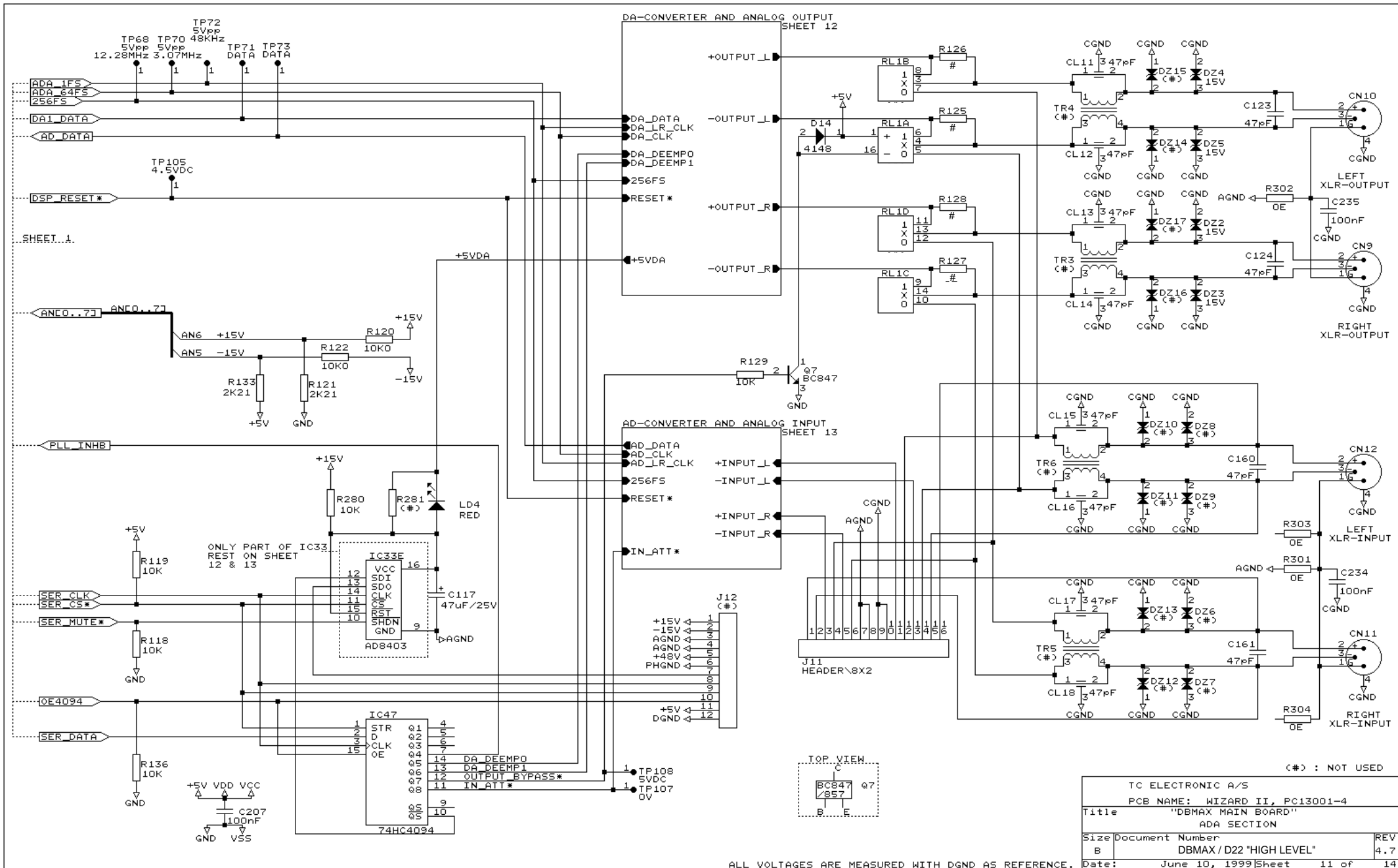
SHEET...1.

(#) : NOT USED

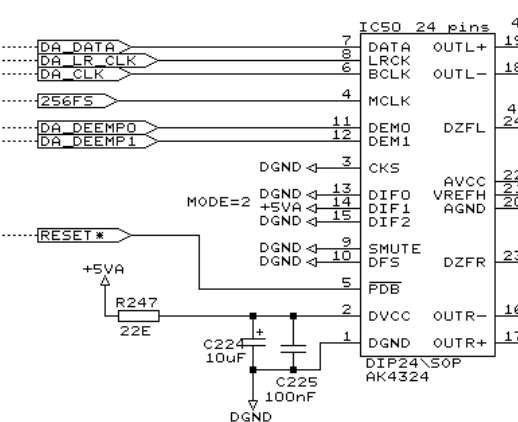


TC ELECTRONIC A/S		
PCB NAME: WIZARD II, PC13001-4		
Title "DBMAX MAIN BOARD"		
POWER SUPPLY AND STANDBY		
Size	Document Number	REV
B	DBMAX / D22 "HIGH LEVEL"	4.7
Date:	June 9, 1999	Sheet 10 of 14

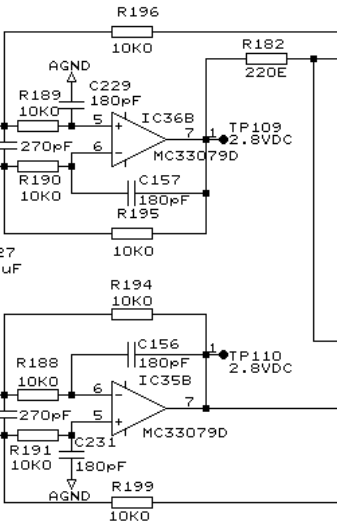
ALL VOLTAGES ARE MEASURED WITH DGND AS REFERENCE.



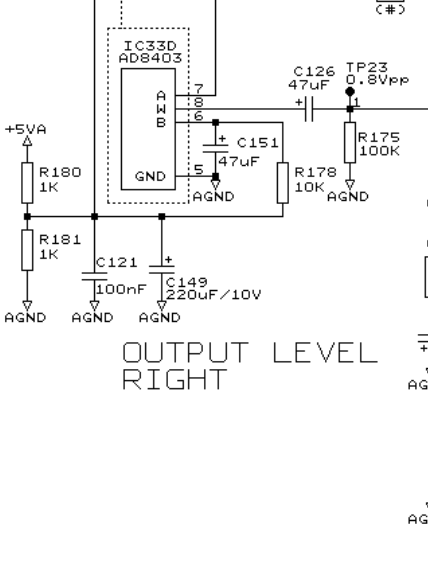
### 24-BIT DA-CONVERTER



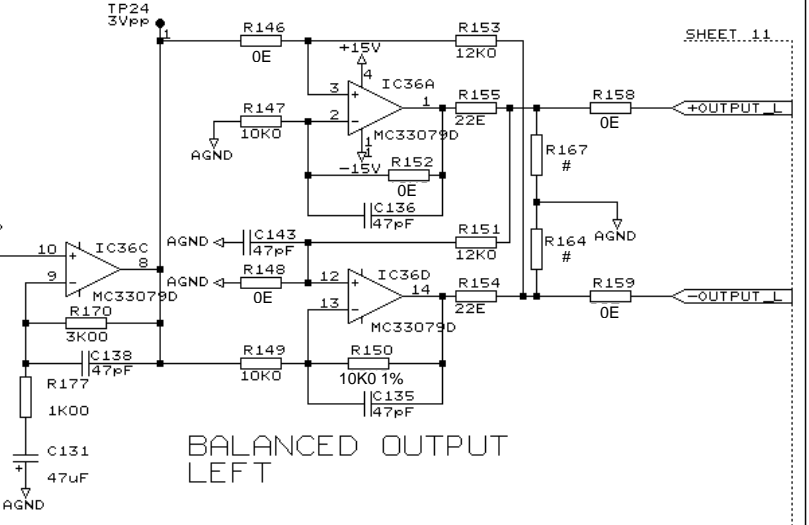
### OUTPUT LEVEL LEFT



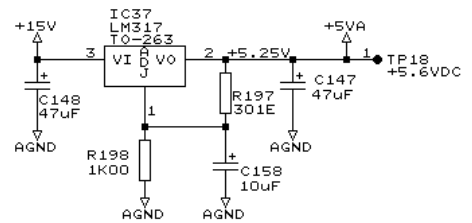
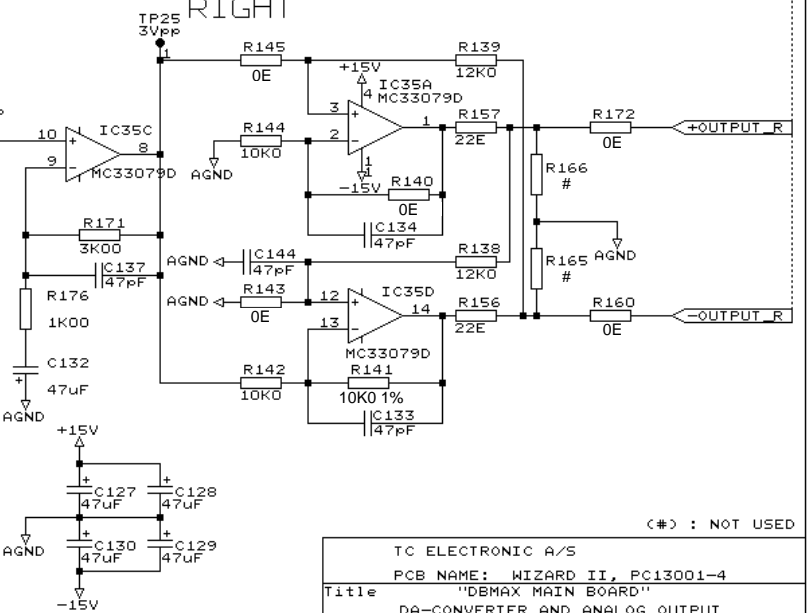
### OUTPUT LEVEL RIGHT



### BALANCED OUTPUT LEFT



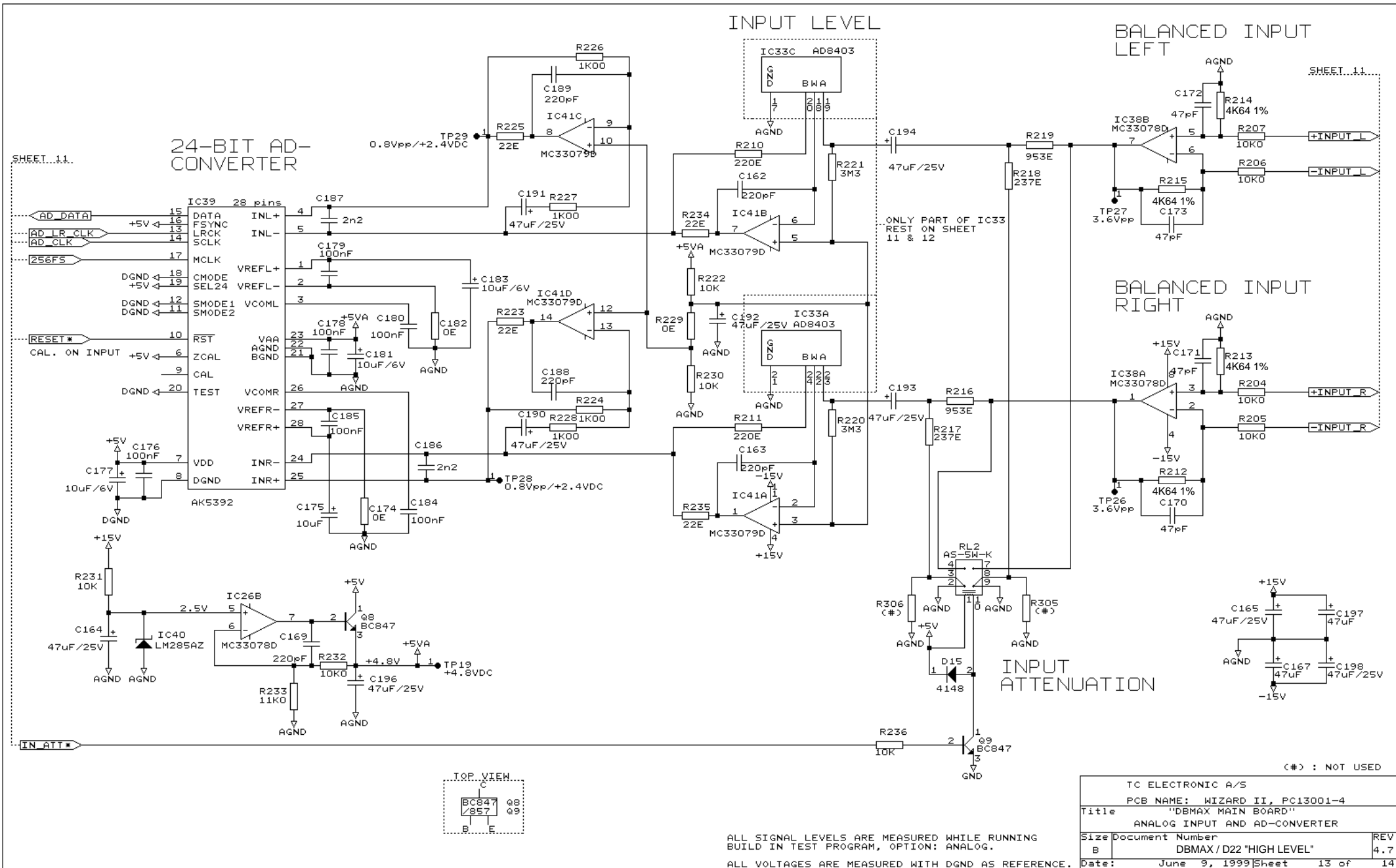
### BALANCED OUTPUT RIGHT



(#) : NOT USED

TC ELECTRONIC A/S		
PCB NAME: WIZARD II, PC13001-4		
Title "DBMAX MAIN BOARD"		
DA-CONVERTER AND ANALOG OUTPUT		
Size	Document Number	REV
B	DBMAX / D22 "HIGH LEVEL"	4.7
Date:	June 9, 1999	Sheet 12 of 14

ALL SIGNAL LEVELS ARE MEASURED WHILE RUNNING BUILD IN TEST PROGRAM, OPTION: ANALOG.  
 ALL VOLTAGES ARE MEASURED WITH DGND AS REFERENCE.



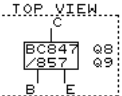
24-BIT AD-CONVERTER

INPUT LEVEL

BALANCED INPUT LEFT

BALANCED INPUT RIGHT

INPUT ATTENUATION



TC ELECTRONIC A/S		
PCB NAME: WIZARD II, PC13001-4		
Title "DBMAX MAIN BOARD"		
ANALOG INPUT AND AD-CONVERTER		
Size	Document Number	REV
B	DBMAX / D22 "HIGH LEVEL"	4.7
Date:	June 9, 1999	Sheet 13 of 14

ALL SIGNAL LEVELS ARE MEASURED WHILE RUNNING BUILD IN TEST PROGRAM, OPTION: ANALOG.  
ALL VOLTAGES ARE MEASURED WITH DGND AS REFERENCE.

