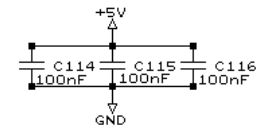
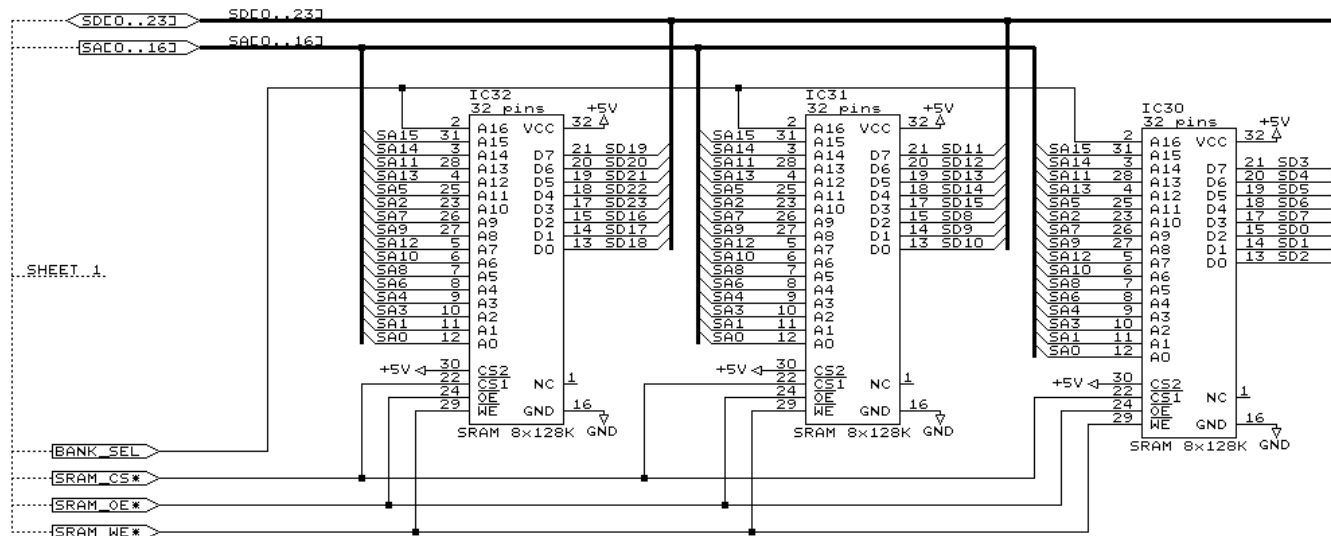


(#) : NOT USED

| | | |
|---|-----------------|---------------|
| TC ELECTRONIC A/S | | |
| PCB Name: WIZARD II, PC13001-5 | | |
| Title "GOLD CHANNEL MAIN BOARD" MAIN BOARD | | |
| Size | Document Number | REV |
| B | P1300151.SCH | 5.1 |
| Date: | May 18, 1999 | Sheet 1 of 14 |

ALL VOLTAGES ARE MEASURED WITH DGND AS REFERENCE.

SOUND RAM

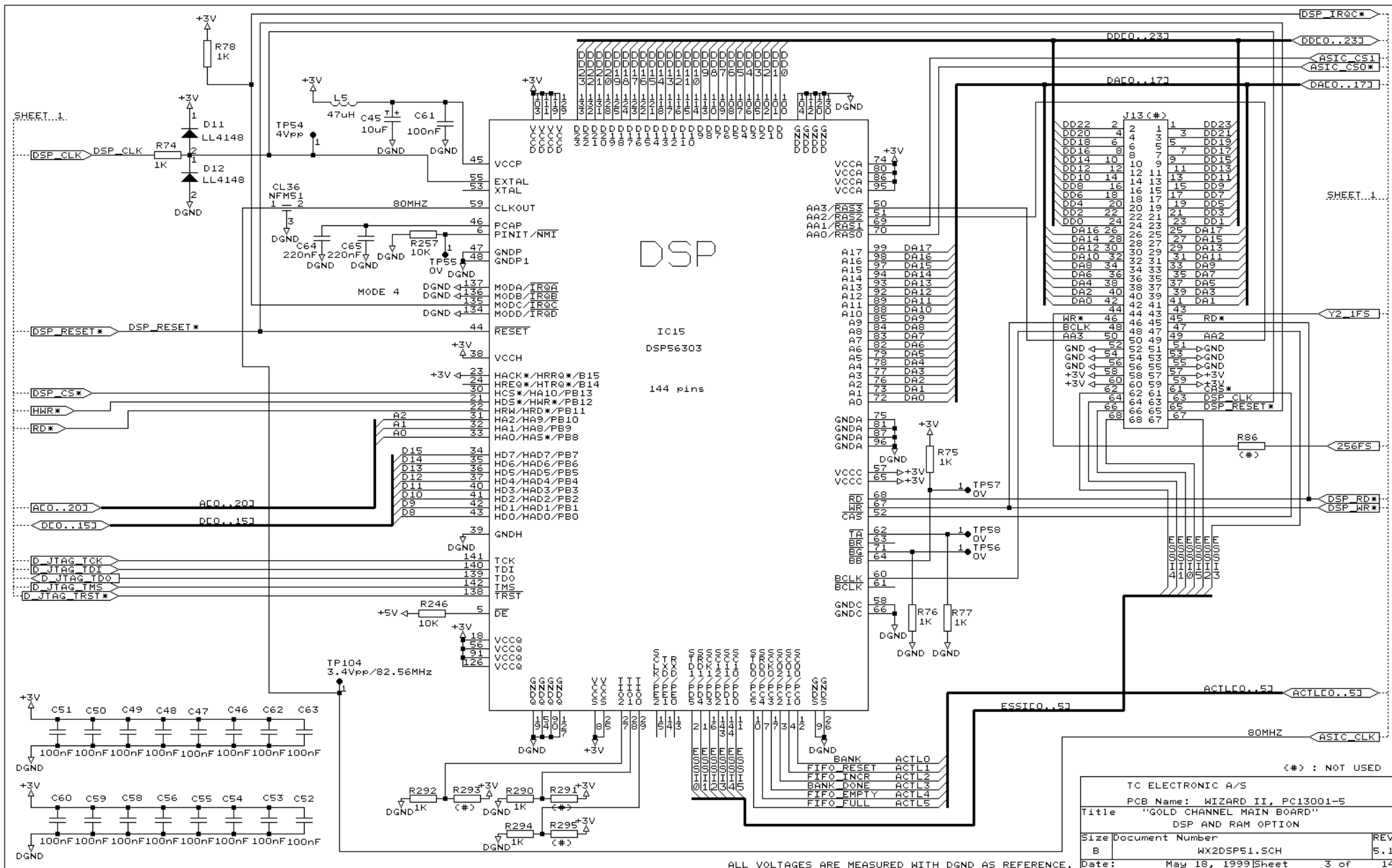


SHEET...1.

(#) : NOT USED

| | | |
|---|-----------------|---------------|
| TC ELECTRONIC A/S | | |
| PCB Name: WIZARD II, PC13001-5 | | |
| Title "GOLD CHANNEL MAIN BOARD" MEMORY FOR DSP | | |
| Size | Document Number | REV |
| B | WX2DSMS1.SCH | 5.1 |
| Date: | May 18, 1999 | Sheet 2 of 14 |

ALL VOLTAGES ARE MEASURED WITH DGND AS REFERENCE.

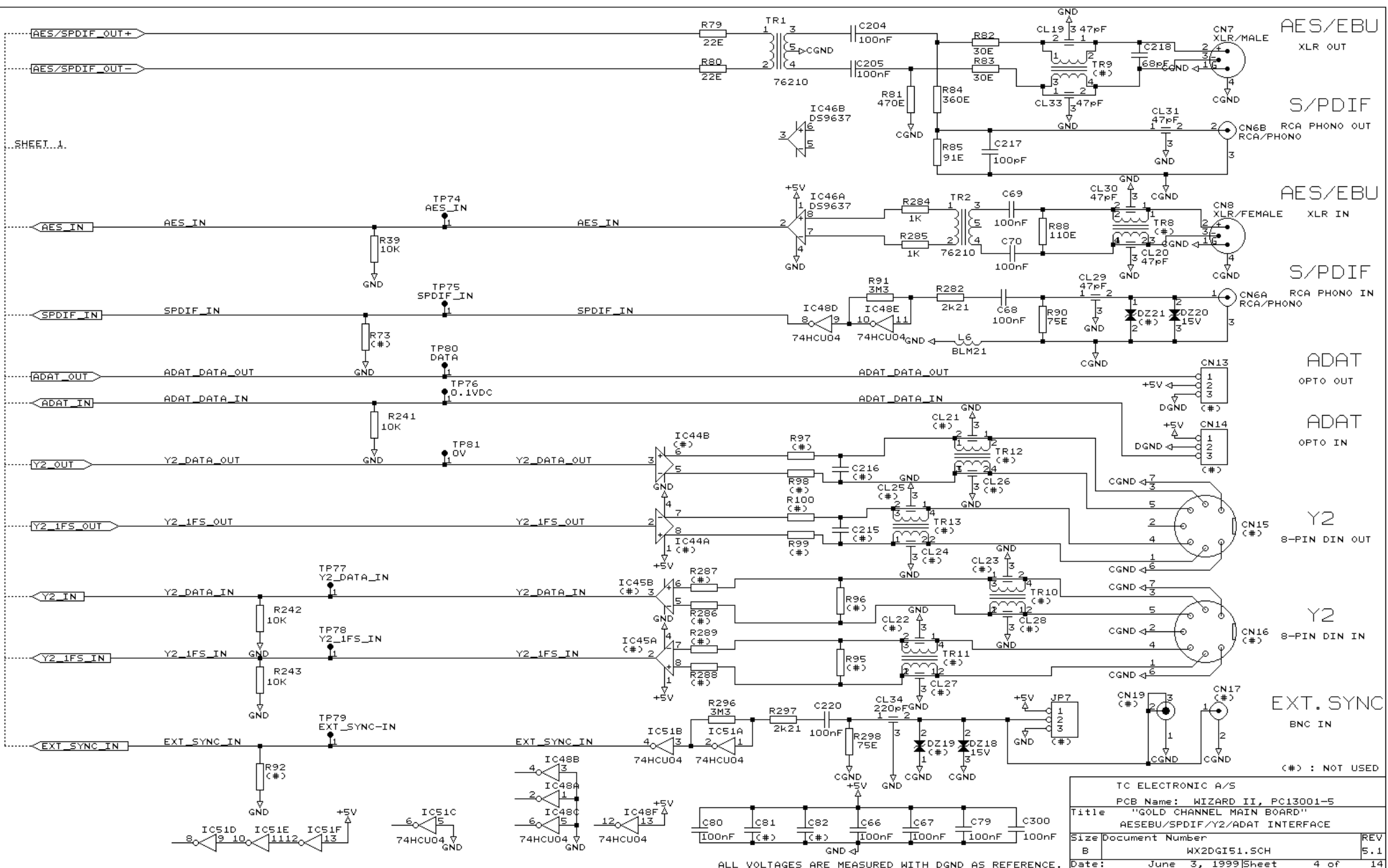


DSP

IC15
DSP56303
144 pins

| | | |
|---|-----------------|---------------|
| TC ELECTRONIC A/S | | |
| PCB Name: WIZARD II, PC13001-5 | | |
| Title "GOLD CHANNEL MAIN BOARD" DSP AND RAM OPTION | | |
| Size | Document Number | REV |
| B | HX2DSPS1.SCH | 5.1 |
| Date: May 18, 1999 | | Sheet 3 of 14 |

ALL VOLTAGES ARE MEASURED WITH DGND AS REFERENCE.



SHEET 1.

AES/EBU
XLR OUT

S/PDIF
RCA PHONO OUT
RCA/PHONO

AES/EBU
XLR IN

S/PDIF
RCA PHONO IN
RCA/PHONO

ADAT
OPTO OUT

ADAT
OPTO IN

Y2
8-PIN DIN OUT

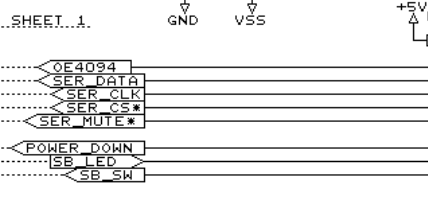
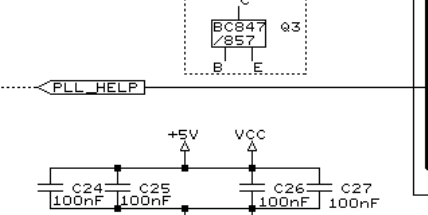
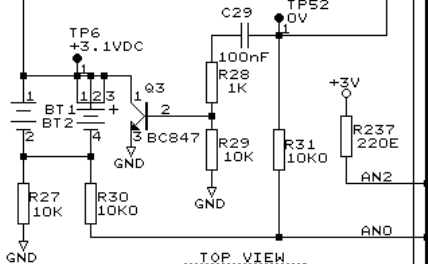
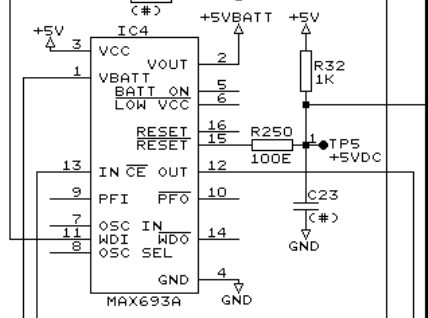
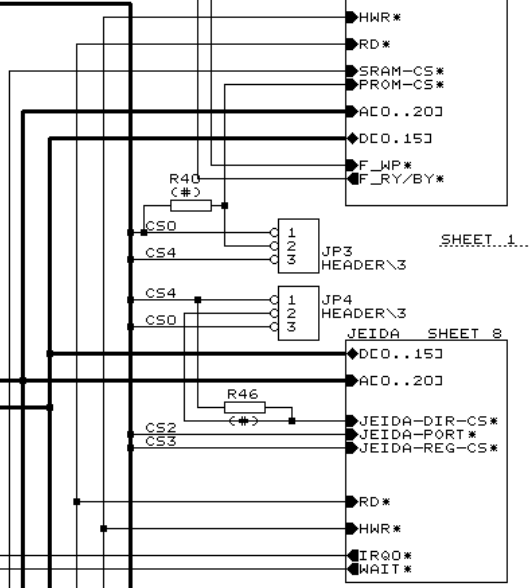
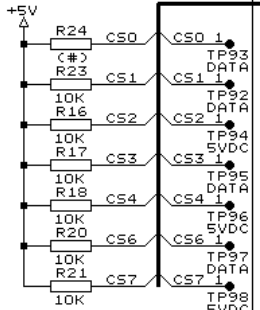
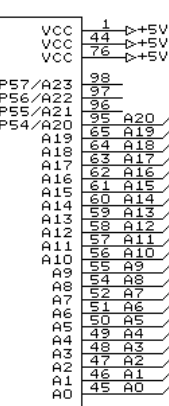
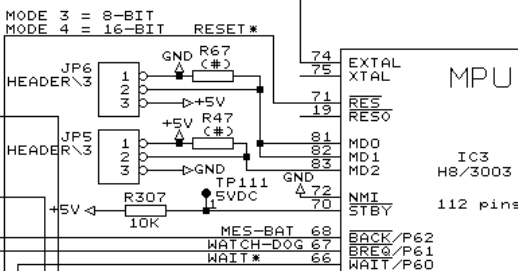
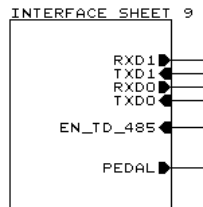
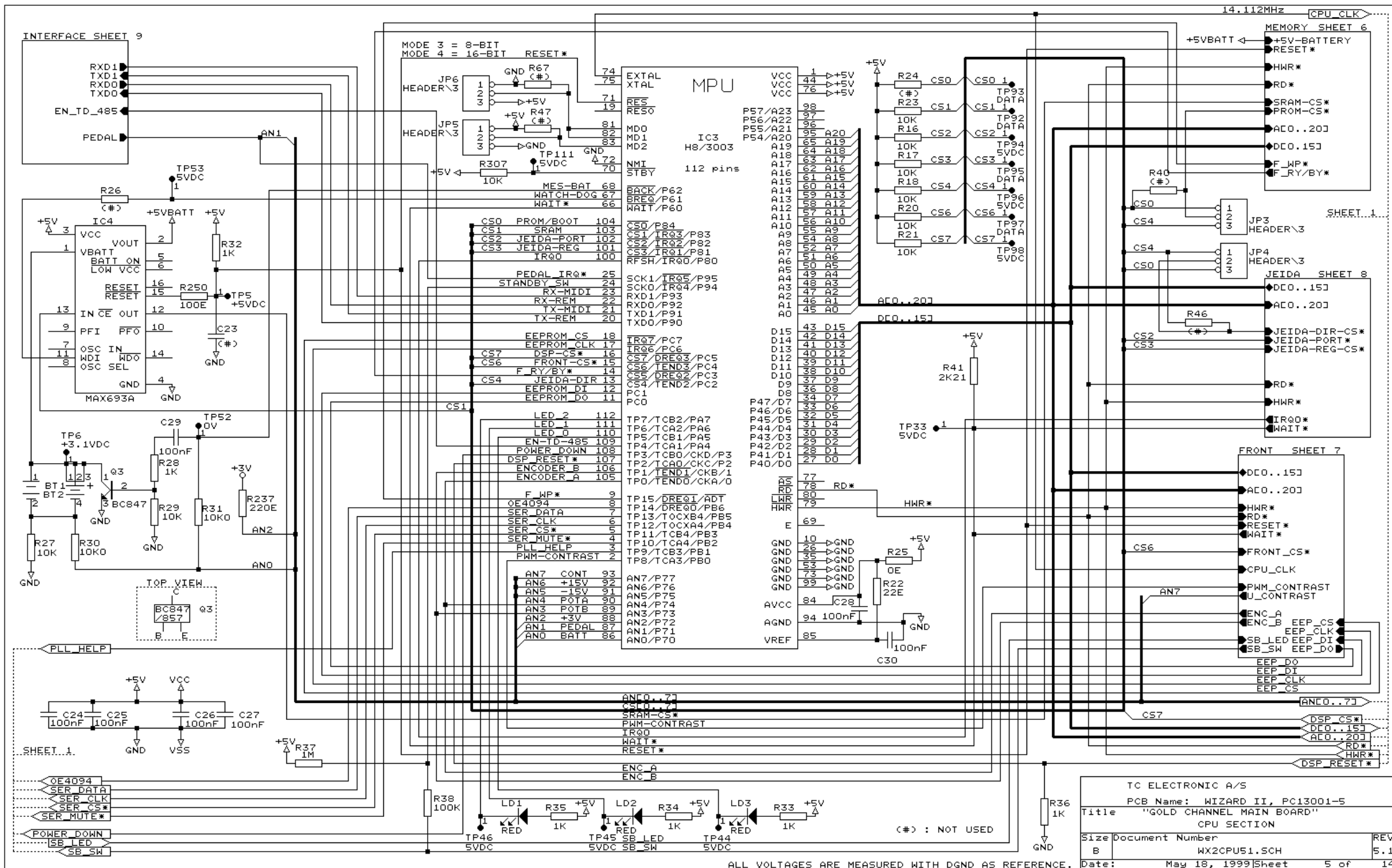
Y2
8-PIN DIN IN

EXT. SYNC
BNC IN

(#) : NOT USED

| | |
|---------------------------------|-----------------|
| TC ELECTRONIC A/S | |
| PCB Name: WIZARD II, PC13001-5 | |
| Title "GOLD CHANNEL MAIN BOARD" | |
| AESEBU/SPDIF/Y2/ADAT INTERFACE | |
| Size | Document Number |
| B | WX2DGI51.SCH |
| Date: | June 3, 1999 |
| Sheet | 4 of 14 |
| REV | 5.1 |

ALL VOLTAGES ARE MEASURED WITH DGND AS REFERENCE.



TC ELECTRONIC A/S

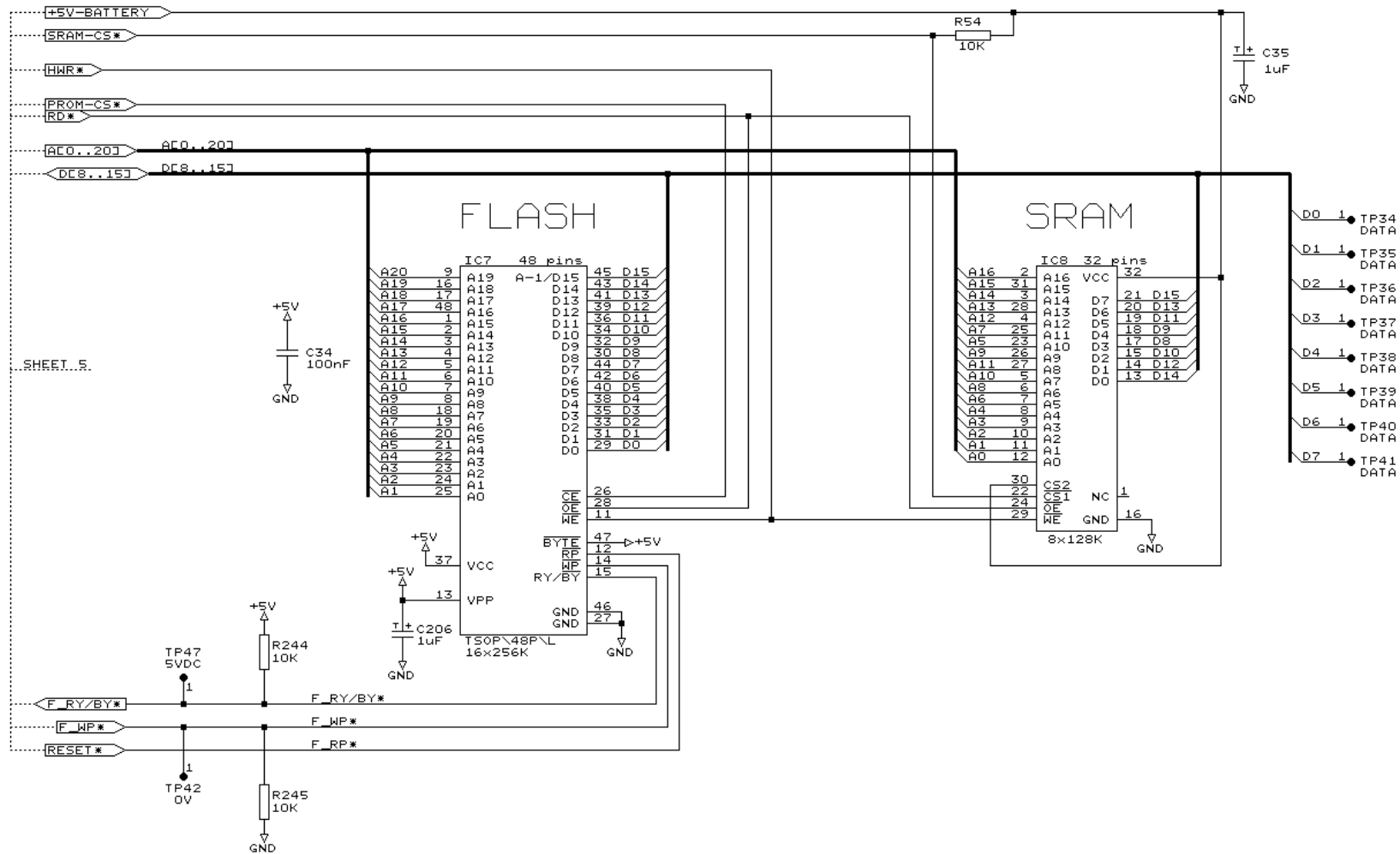
PCB Name: WIZARD II, PC13001-5

Title "GOLD CHANNEL MAIN BOARD" CPU SECTION

| | | |
|------|-----------------|-----|
| Size | Document Number | REV |
| B | WX2CPU1.SCH | 5.1 |

Date: May 18, 1999 Sheet 5 of 14

ALL VOLTAGES ARE MEASURED WITH DGND AS REFERENCE.

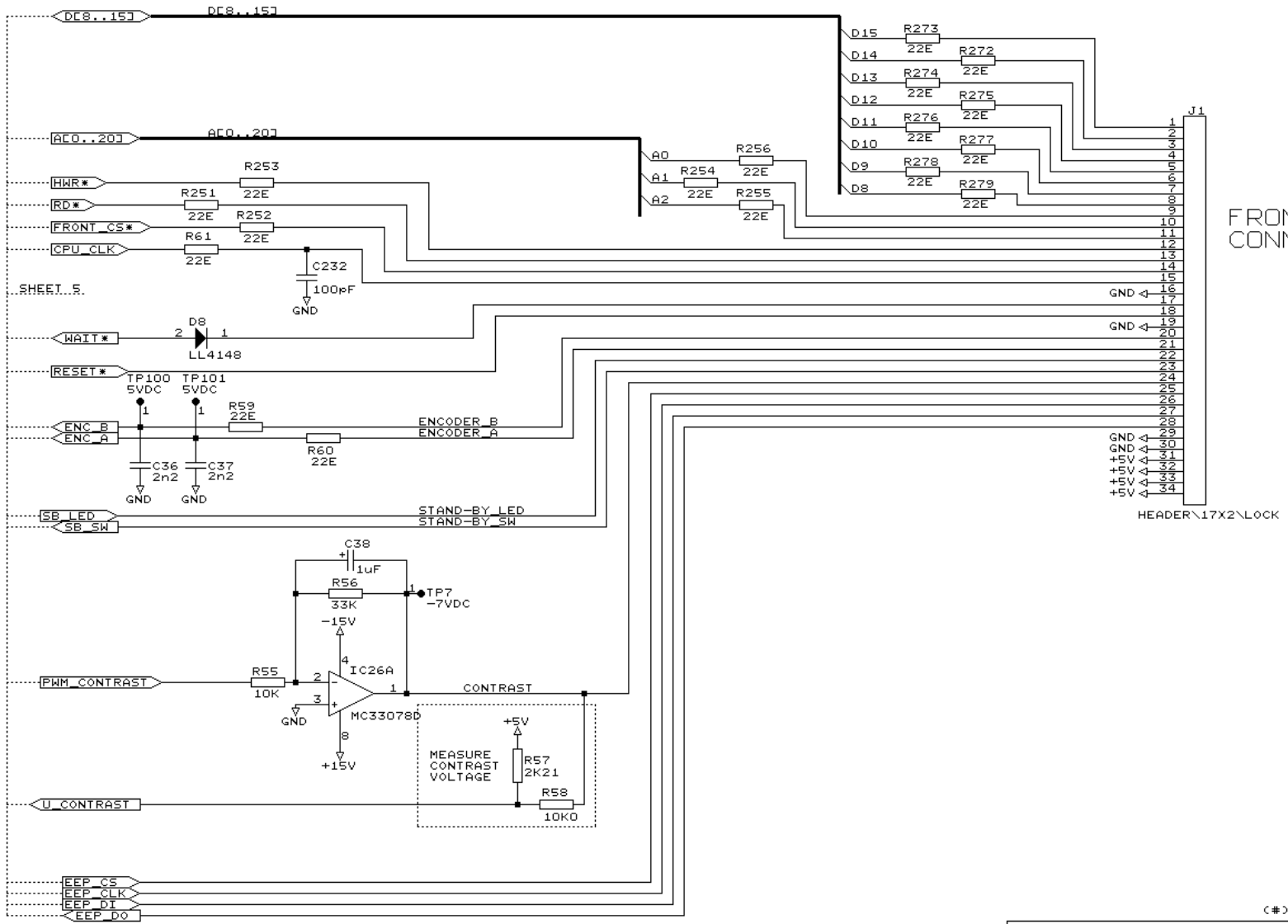


SHEET...5.

(#) : NOT USED

| | | |
|---|-----------------|---------------|
| TC ELECTRONIC A/S | | |
| PCB Name: WIZARD II, PC13001-5 | | |
| Title "GOLD CHANNEL MAIN BOARD" CPU MEMORY | | |
| Size | Document Number | REV |
| B | WX2MEMS1.SCH | 5.1 |
| Date: | May 18, 1999 | Sheet 6 of 14 |

ALL VOLTAGES ARE MEASURED WITH DGND AS REFERENCE.



SHEET 5.

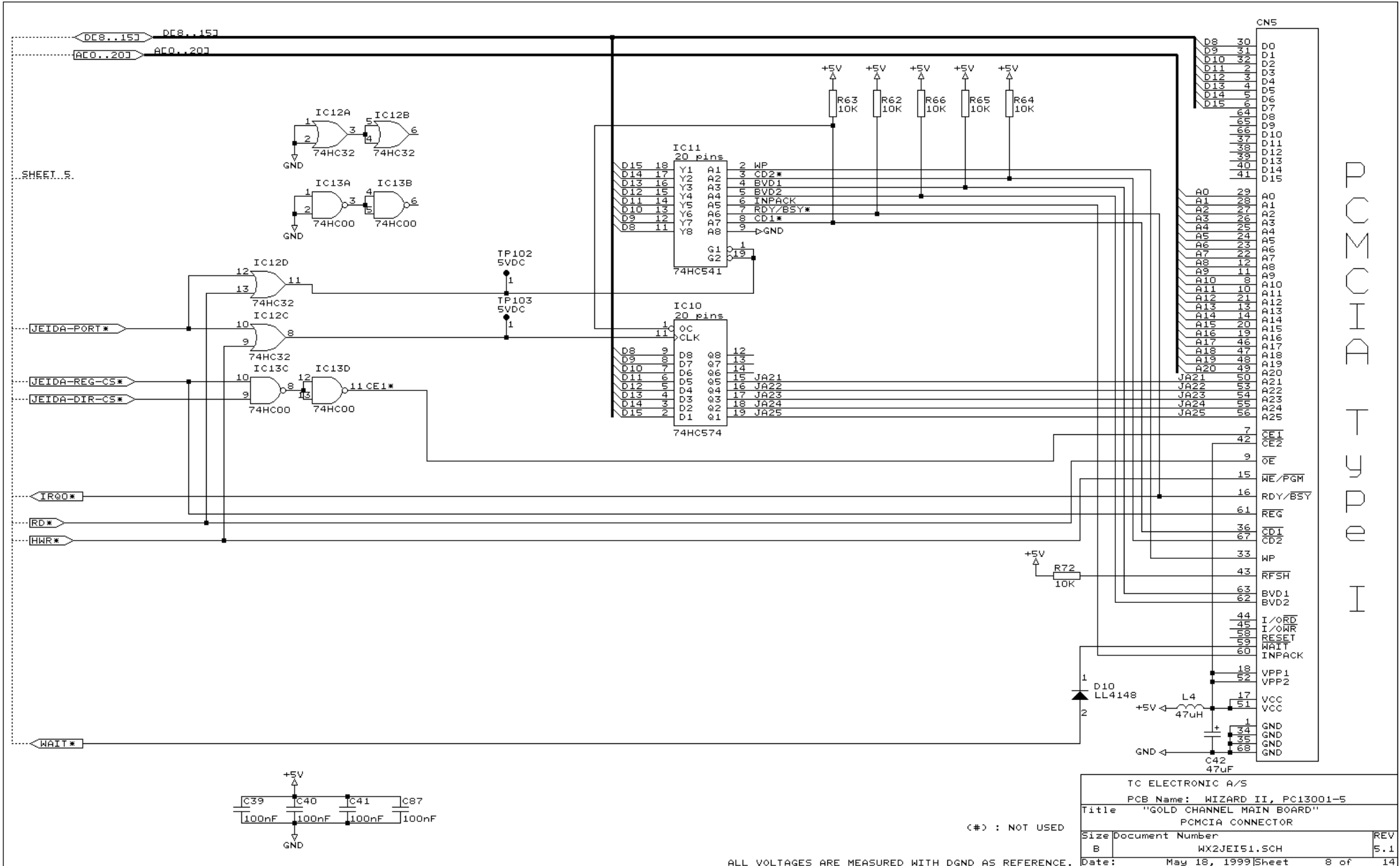
FRONT CONNECTOR

HEADER 17X2 LOCK

(#) : NOT USED

| | | |
|---------------------------------|-----------------|---------------|
| TC ELECTRONIC A/S | | |
| PCB Name: WIZARD II, PC13001-5 | | |
| Title "GOLD CHANNEL MAIN BOARD" | | |
| CONNECTION TO FRONT PCB | | |
| Size | Document Number | REV |
| B | WX2FNT51.SCH | 5.1 |
| Date: | May 18, 1999 | Sheet 7 of 14 |

ALL VOLTAGES ARE MEASURED WITH DGND AS REFERENCE.



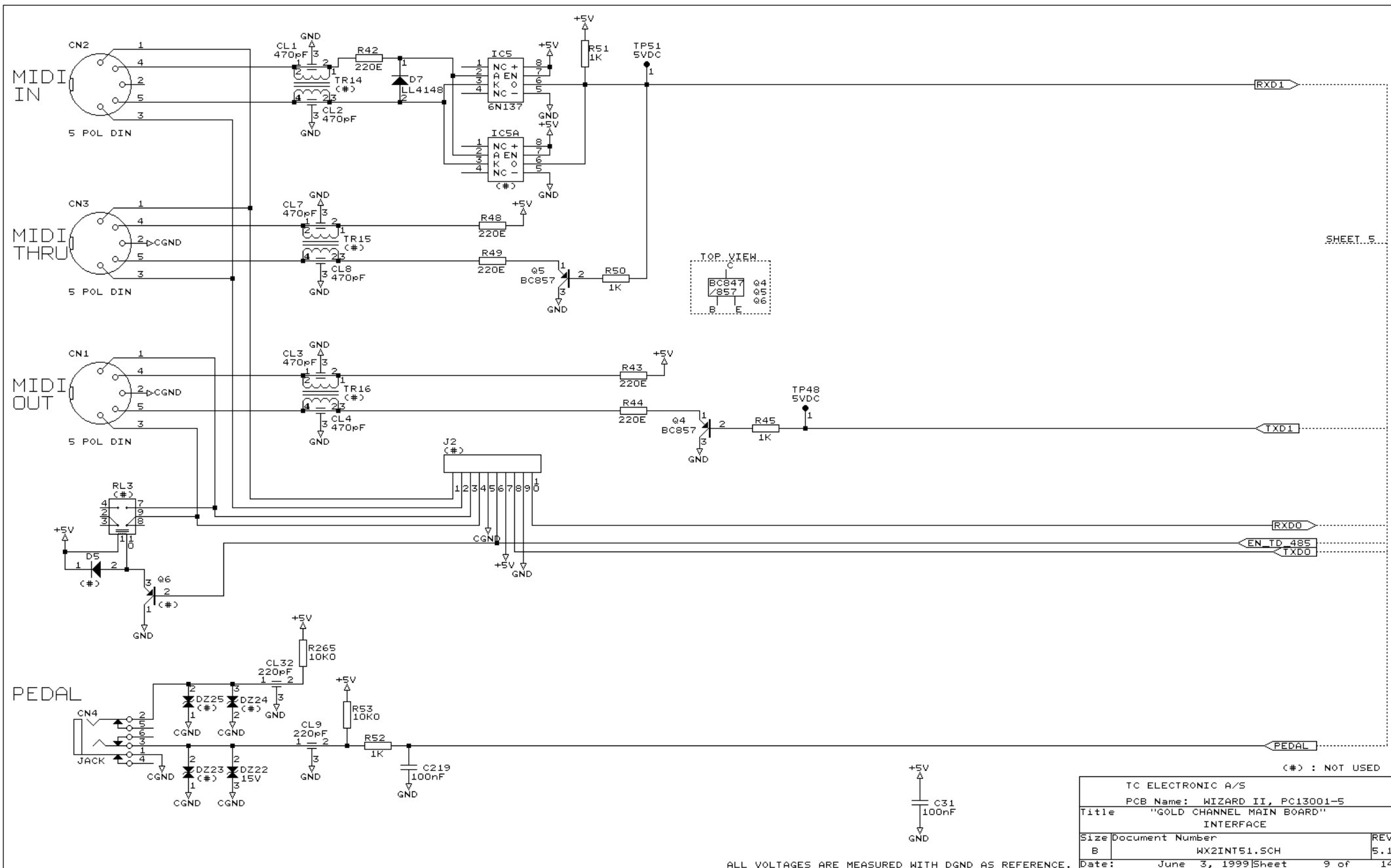
SHEET 5.

PCMCIA CONNECTOR

| | | |
|---------------------------------|-----------------|---------------|
| TC ELECTRONIC A/S | | |
| PCB Name: WIZARD II, PC13001-5 | | |
| Title "GOLD CHANNEL MAIN BOARD" | | |
| PCMCIA CONNECTOR | | |
| Size | Document Number | REV |
| B | WX2JEI51.SCH | 5.1 |
| Date: | May 18, 1999 | Sheet 8 of 14 |

(#) : NOT USED

ALL VOLTAGES ARE MEASURED WITH DGND AS REFERENCE.

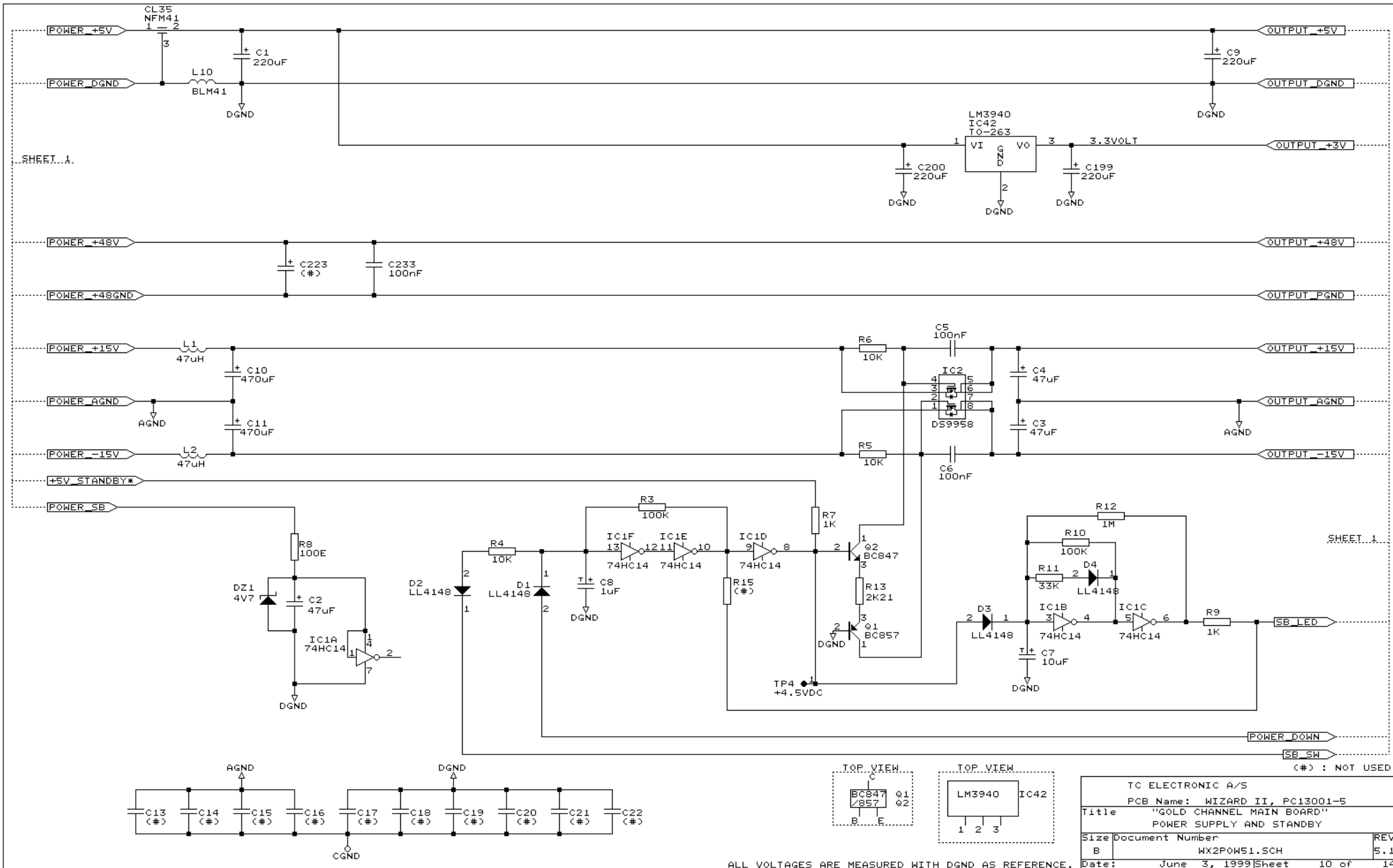


SHEET 5

(#) : NOT USED

| | | |
|---|------------------------------|---------|
| TC ELECTRONIC A/S | | |
| PCB Name: WIZARD II, PC13001-5 | | |
| Title "GOLD CHANNEL MAIN BOARD" INTERFACE | | |
| Size B | Document Number HX2INT51.SCH | REV 5.1 |
| Date: June 3, 1999 | Sheet 9 | of 14 |

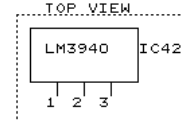
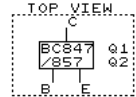
ALL VOLTAGES ARE MEASURED WITH DGND AS REFERENCE.



SHEET 1.

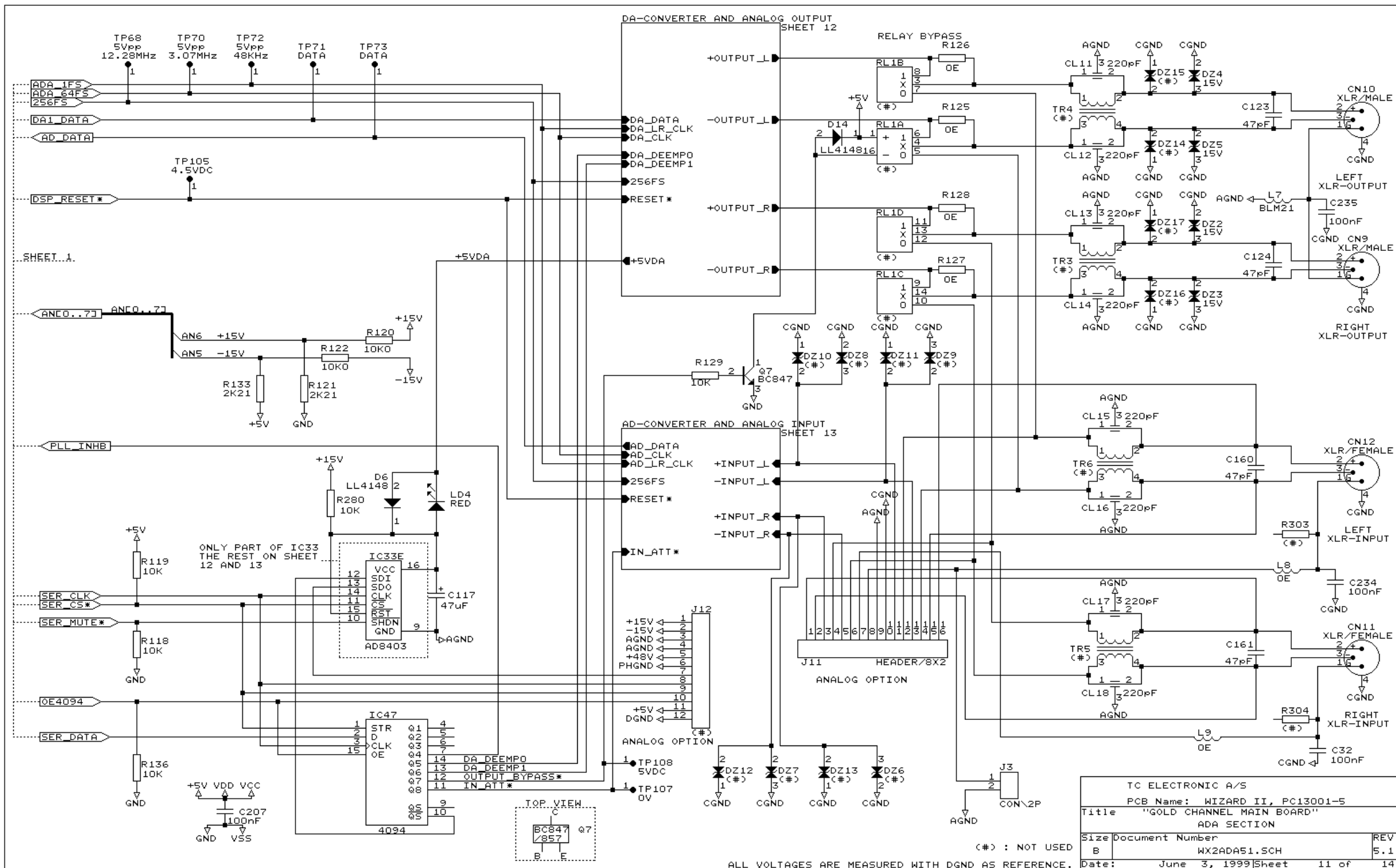
SHEET 1.

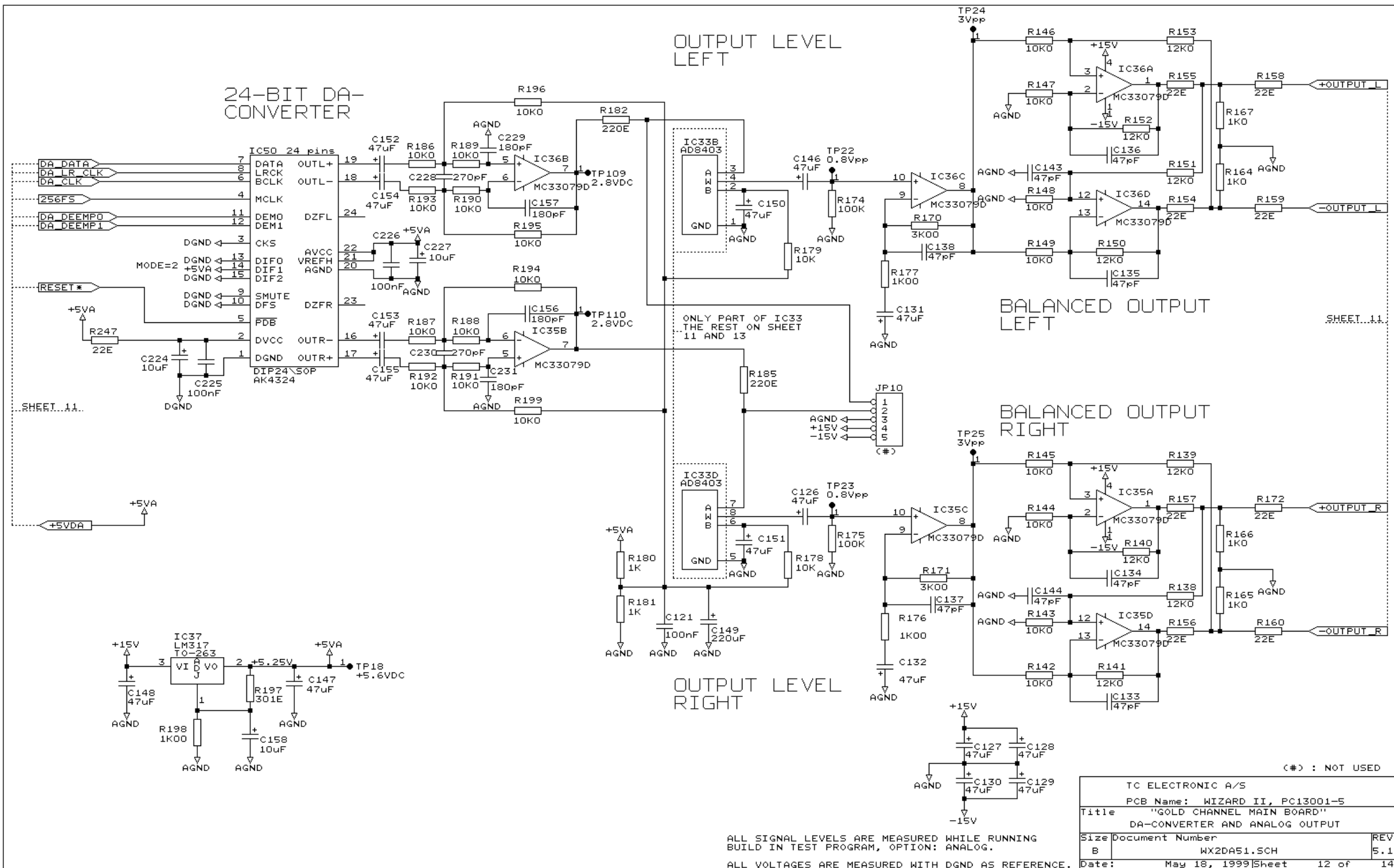
(#) : NOT USED

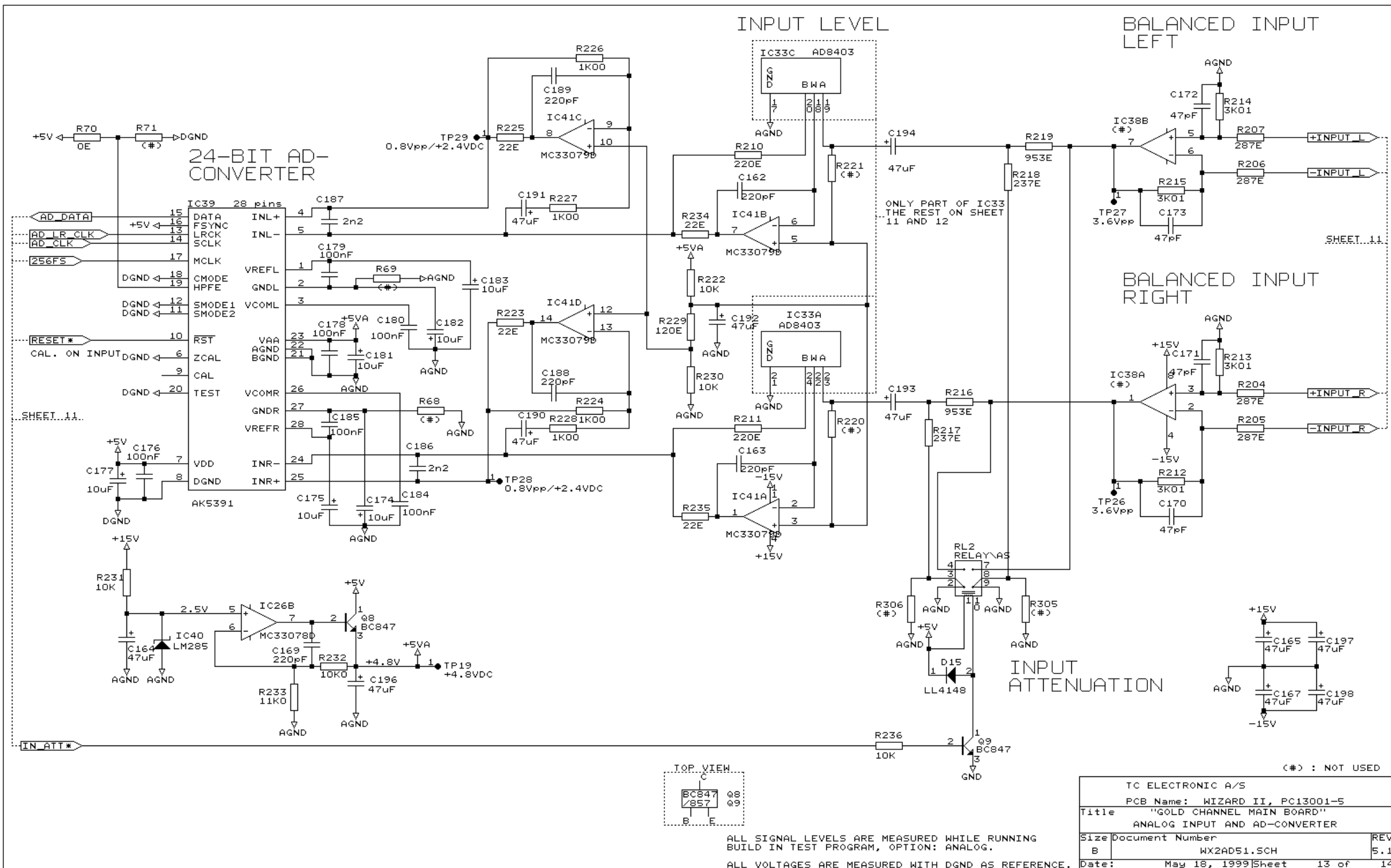


| | | |
|---------------------------------|-----------------|----------------|
| TC ELECTRONIC A/S | | |
| PCB Name: WIZARD II, PC13001-5 | | |
| Title "GOLD CHANNEL MAIN BOARD" | | |
| POWER SUPPLY AND STANDBY | | |
| Size | Document Number | REV |
| B | WX2POWS1.SCH | 5.1 |
| Date: | June 3, 1999 | Sheet 10 of 14 |

ALL VOLTAGES ARE MEASURED WITH DGND AS REFERENCE.







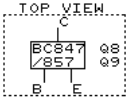
24-BIT AD-CONVERTER

INPUT LEVEL

BALANCED INPUT LEFT

BALANCED INPUT RIGHT

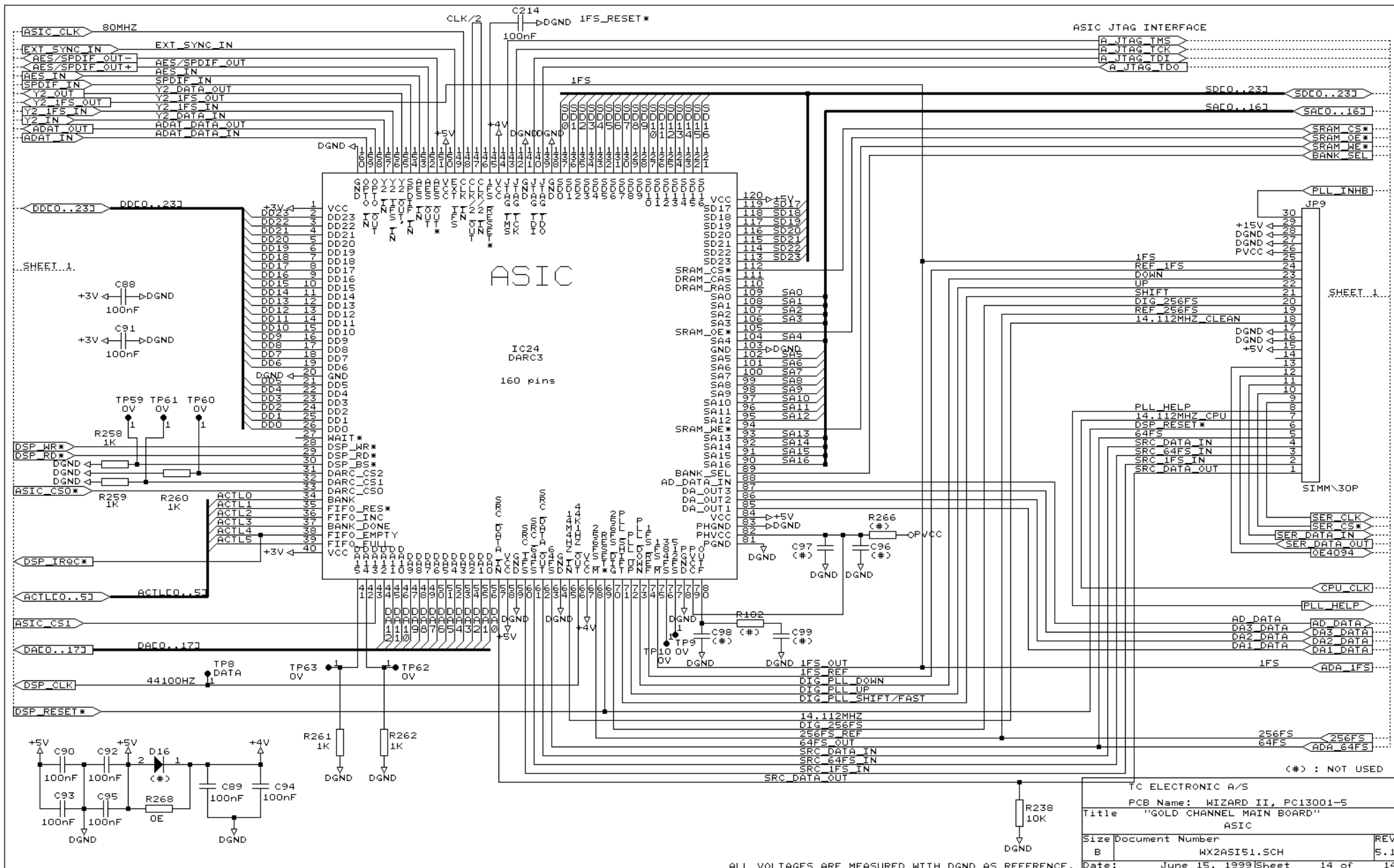
INPUT ATTENUATION



(#) : NOT USED

| | | |
|---------------------------------|-----------------|----------------|
| TC ELECTRONIC A/S | | |
| PCB Name: WIZARD II, PC13001-5 | | |
| Title "GOLD CHANNEL MAIN BOARD" | | |
| ANALOG INPUT AND AD-CONVERTER | | |
| Size | Document Number | REV |
| B | HX2AD51.SCH | 5.1 |
| Date: | May 18, 1999 | Sheet 13 of 14 |

ALL SIGNAL LEVELS ARE MEASURED WHILE RUNNING BUILD IN TEST PROGRAM, OPTION: ANALOG.
ALL VOLTAGES ARE MEASURED WITH DGND AS REFERENCE.



| | | |
|--------------------------------------|-----------------|----------------|
| TC ELECTRONIC A/S | | |
| PCB Name: WIZARD II, PC13001-5 | | |
| Title "GOLD CHANNEL MAIN BOARD" ASIC | | |
| Size | Document Number | REV |
| B | HX2ASIS1.SCH | 5.1 |
| Date: | June 15, 1999 | Sheet 14 of 14 |