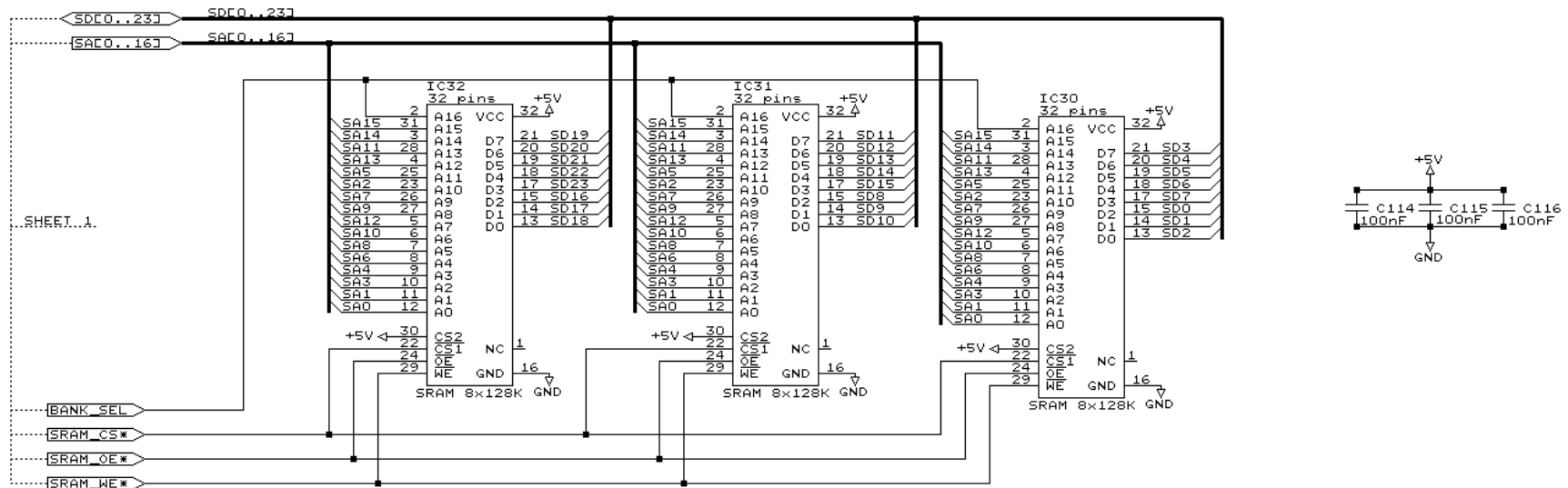


(#) : NOT USED

TC ELECTRONIC A/S		
PCB Name: WIZARD II, PC13001-7		
Title "GOLD CHANNEL MAIN BOARD" MAIN BOARD		
Size	Document Number	REV
B	P1300175.SCH	7.5
Date:	March 29, 2000	Sheet 1 of 14

ALL VOLTAGES ARE MEASURED WITH DGND AS REFERENCE.

SOUND RAM

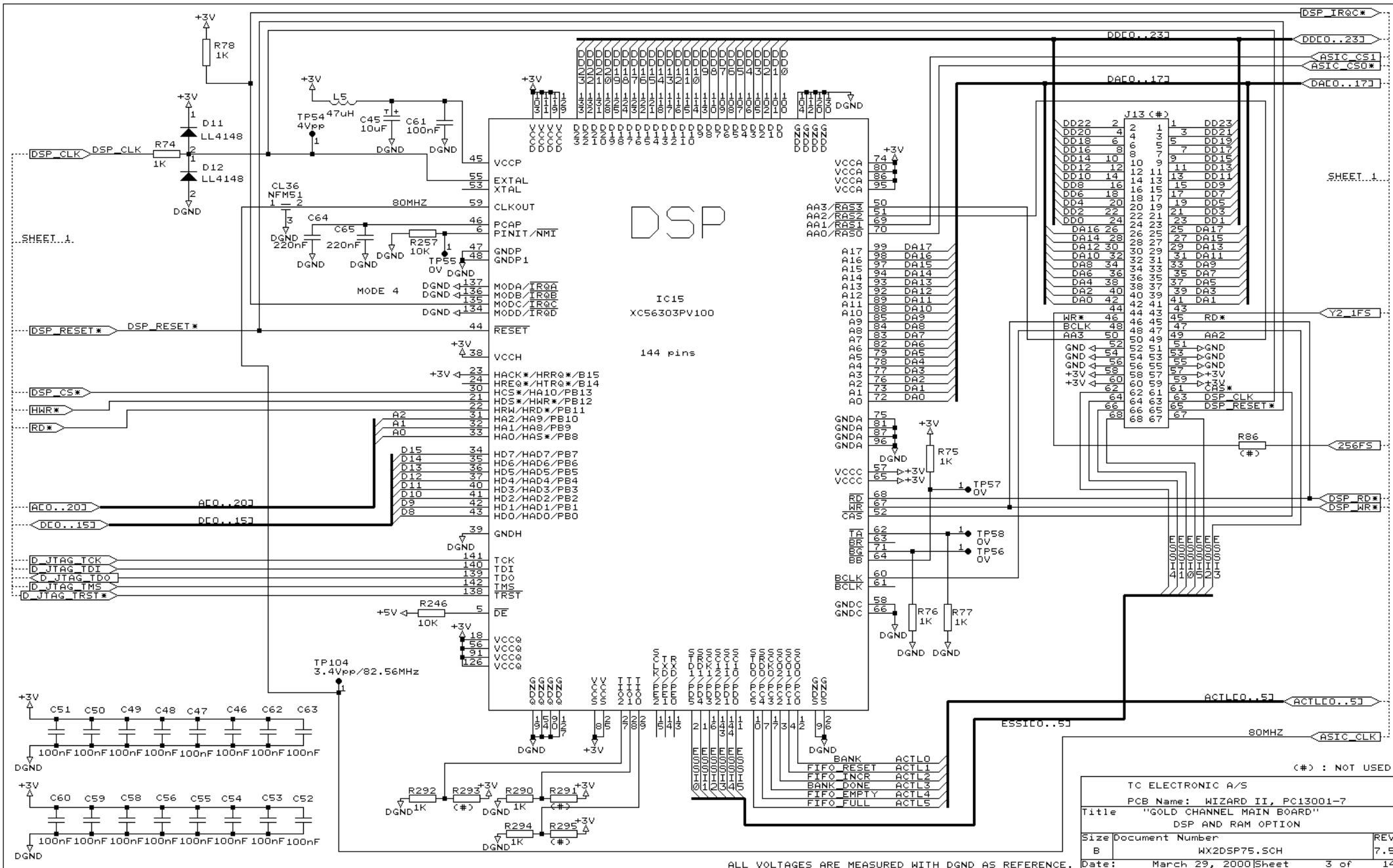


SHEET...1.

(#) : NOT USED

TC ELECTRONIC A/S		
PCB Name: WIZARD II, PC13001-7		
Title "GOLD CHANNEL MAIN BOARD" MEMORY FOR DSP		
Size	Document Number	REV
B	HX2DSM75.SCH	7.5
Date:	March 29, 2000	Sheet 2 of 14

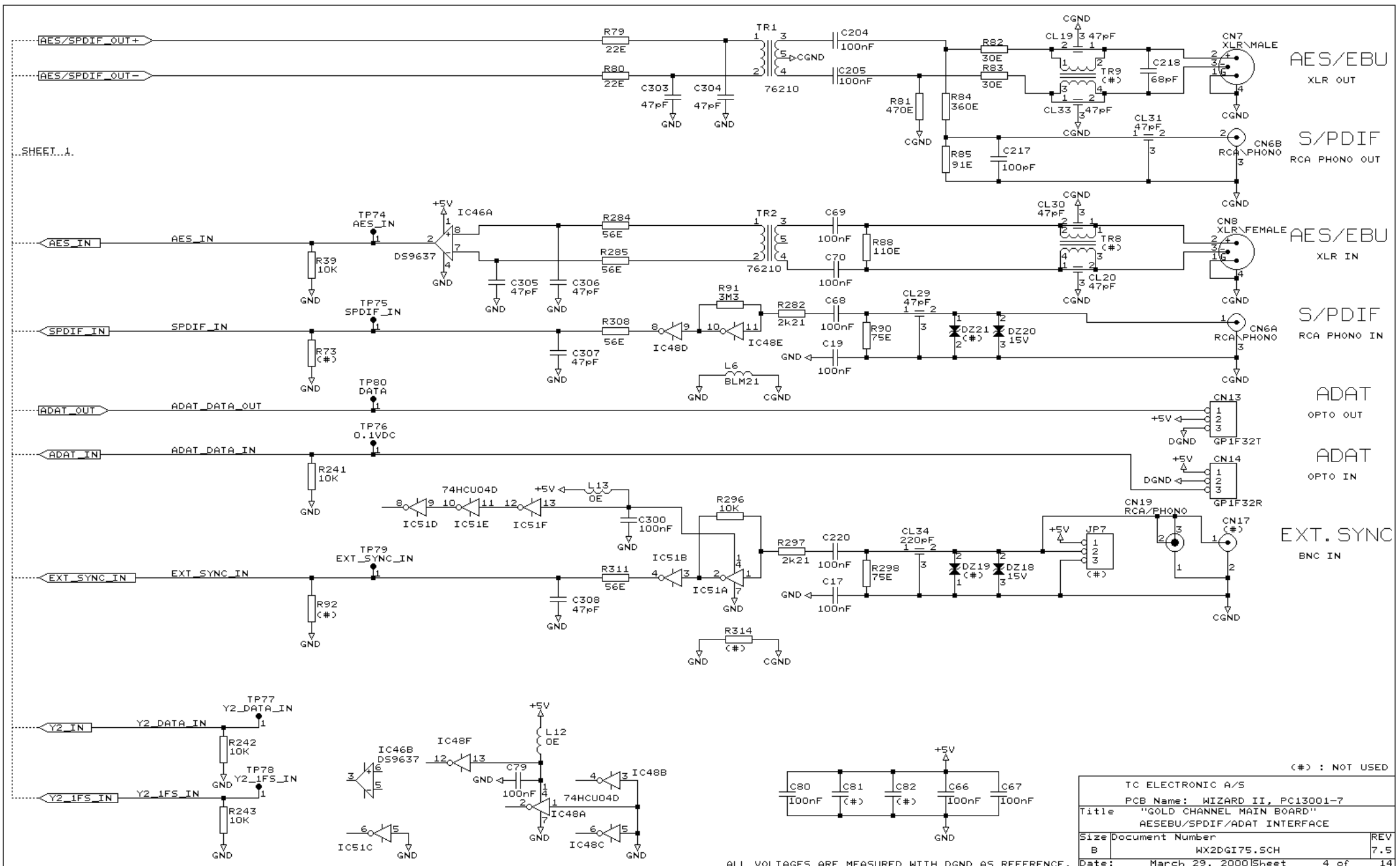
ALL VOLTAGES ARE MEASURED WITH DGND AS REFERENCE.

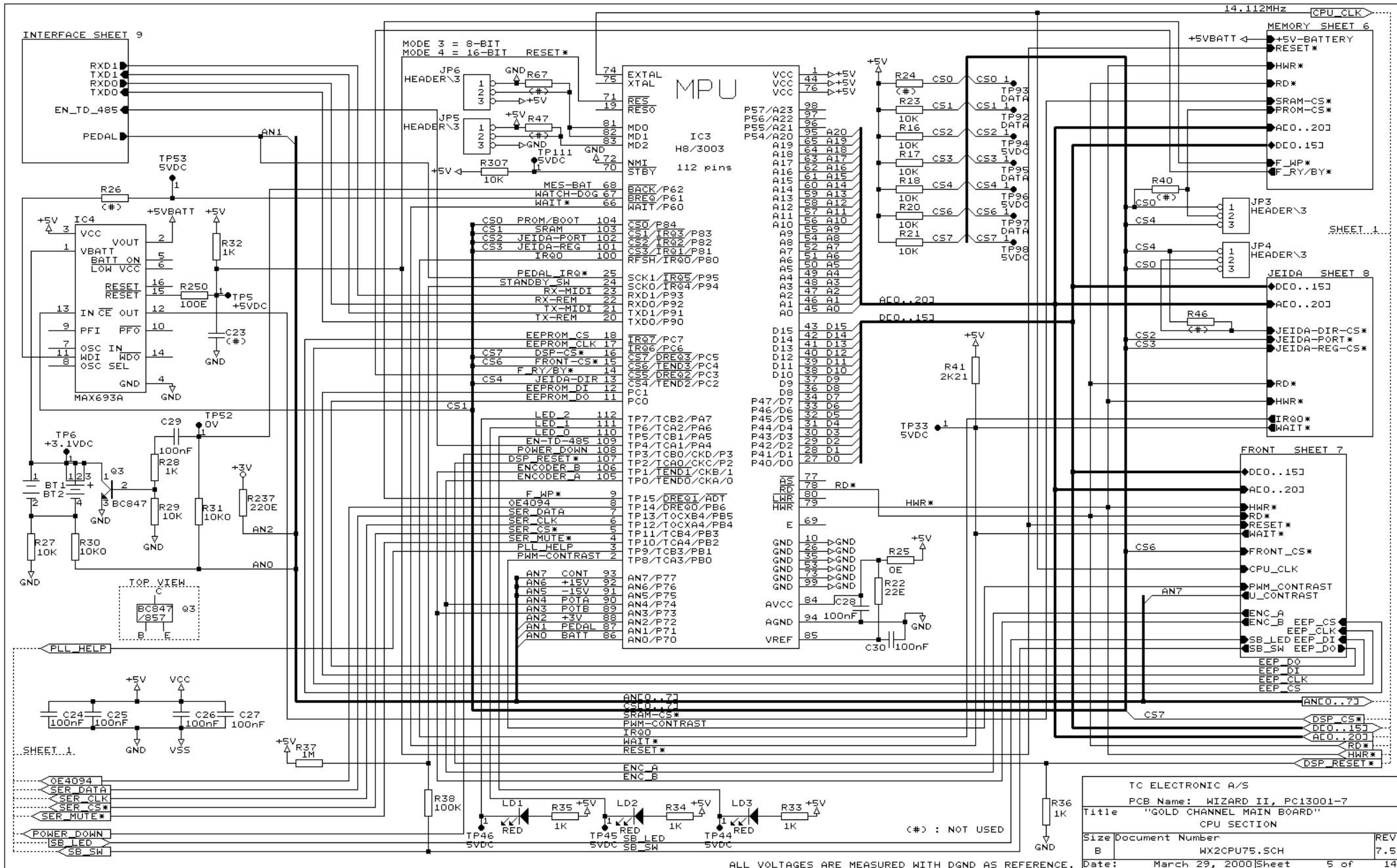


(#) : NOT USED

TC ELECTRONIC A/S		
PCB Name: WIZARD II, PC13001-7		
Title "GOLD CHANNEL MAIN BOARD" DSP AND RAM OPTION		
Size	Document Number	REV
B	HX2DSP75.SCH	7.5
Date:	March 29, 2000	Sheet 3 of 14

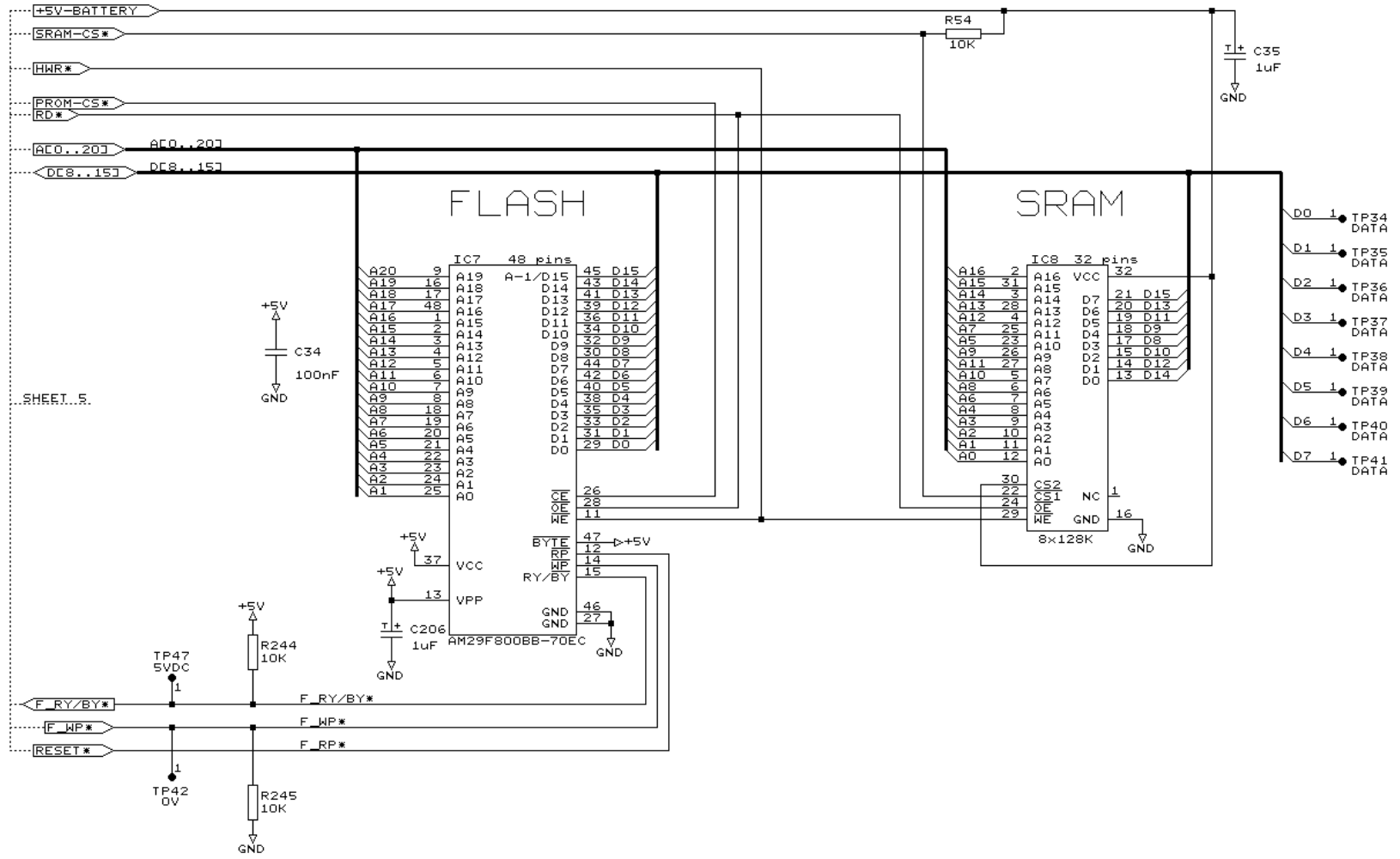
ALL VOLTAGES ARE MEASURED WITH DGND AS REFERENCE.





TC ELECTRONIC A/S		
PCB Name: WIZARD II, PC13001-7		
Title "GOLD CHANNEL MAIN BOARD"		
CPU SECTION		
Size	Document Number	REV
B	HX2CPU75.SCH	7.5
Date:	March 29, 2000	Sheet 5 of 14

ALL VOLTAGES ARE MEASURED WITH DGND AS REFERENCE.

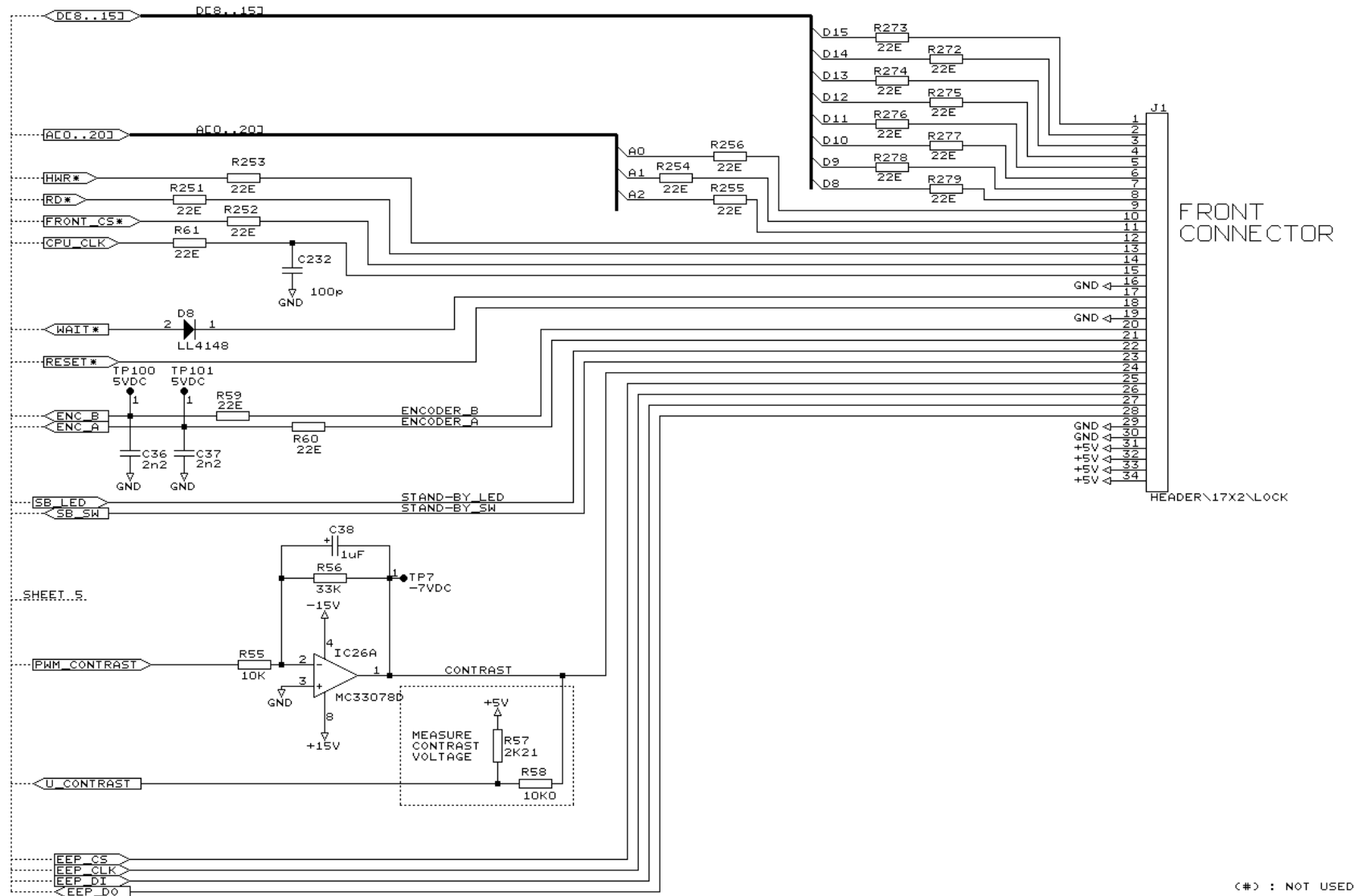


...SHEET...5.

(#) : NOT USED

TC ELECTRONIC A/S		
PCB Name: WIZARD II, PC13001-7		
Title "GOLD CHANNEL MAIN BOARD" CPU MEMORY		
Size	Document Number	REV
B	HX2MEM75.SCH	7.5
Date:	March 29, 2000	Sheet 6 of 14

ALL VOLTAGES ARE MEASURED WITH DGND AS REFERENCE.



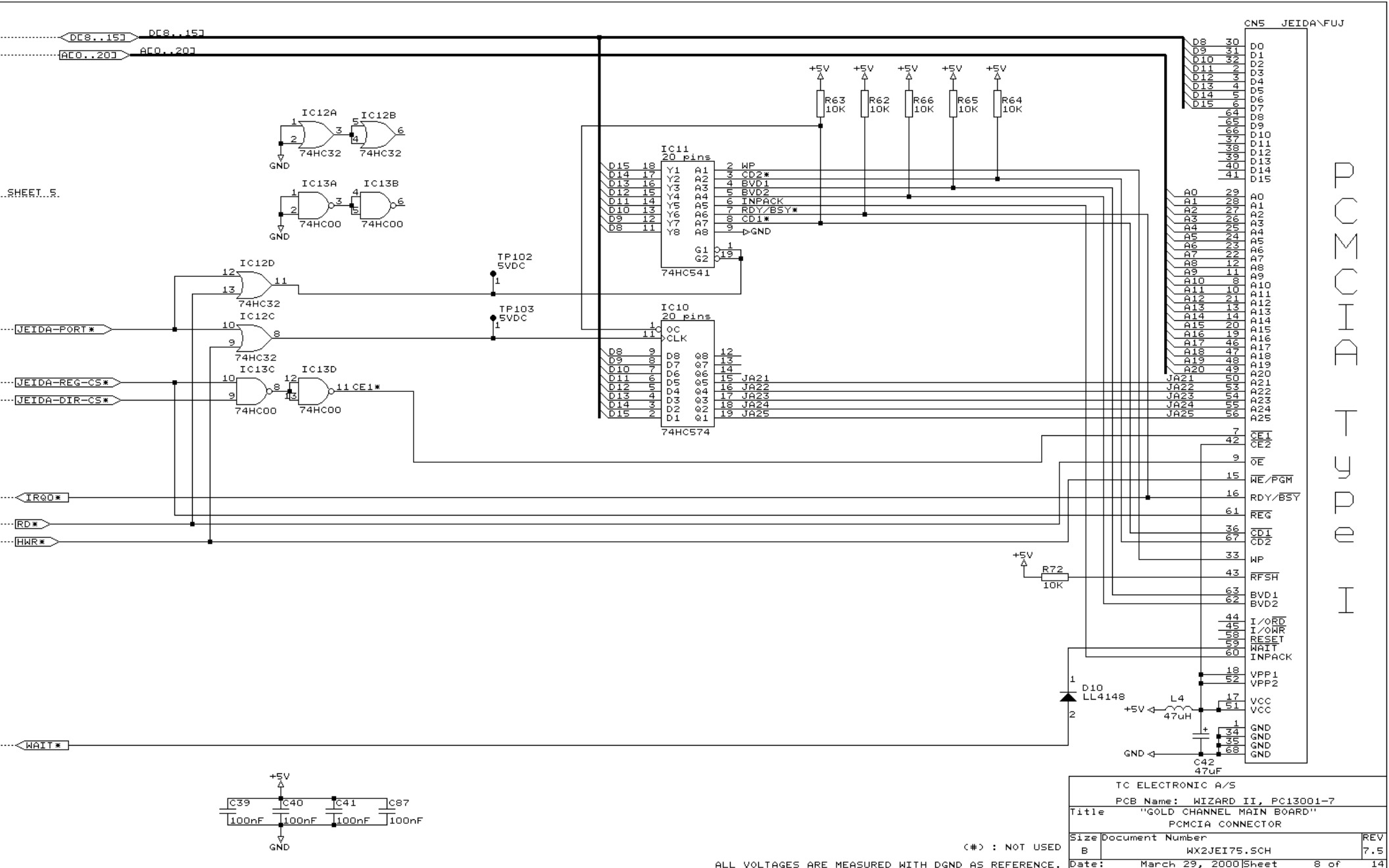
SHEET...5.

(#) : NOT USED

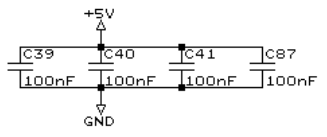
TC ELECTRONIC A/S		
PCB Name: WIZARD II, PC13001-7		
Title "GOLD CHANNEL MAIN BOARD"		
CONNECTION TO FRONT PCB		
Size	Document Number	REV
B	WX2FNT75.SCH	7.5
Date:	March 29, 2000	Sheet 7 of 14

ALL VOLTAGES ARE MEASURED WITH DGND AS REFERENCE.

SHEET 5.



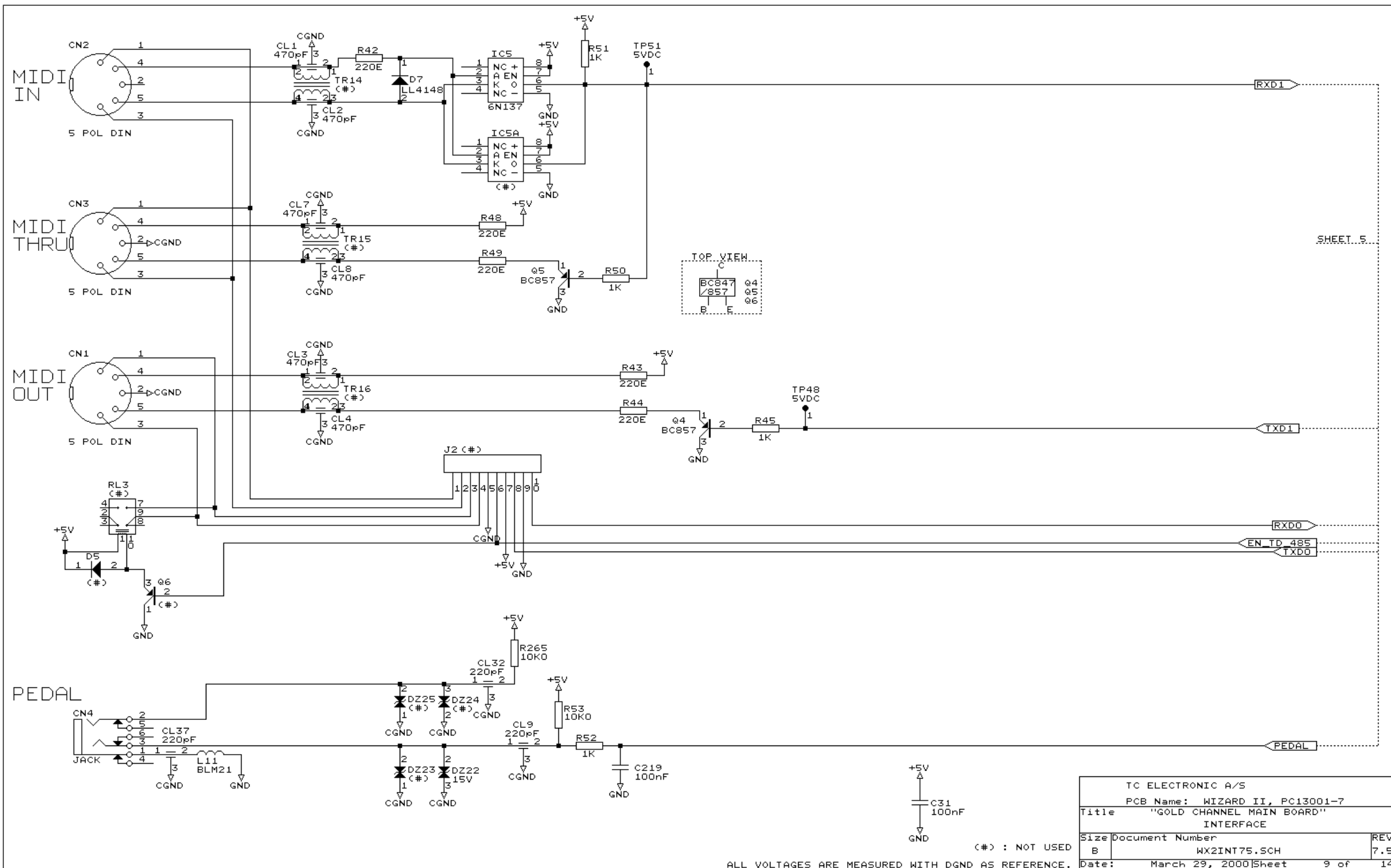
A H C M O P A T Y E I



TC ELECTRONIC A/S		
PCB Name: WIZARD II, PC13001-7		
Title "GOLD CHANNEL MAIN BOARD"		
PCMCIA CONNECTOR		
Size	Document Number	REV
B	HX2JEI75.SCH	7.5
Date:	March 29, 2000	Sheet 8 of 14

(#) : NOT USED

ALL VOLTAGES ARE MEASURED WITH DGND AS REFERENCE.

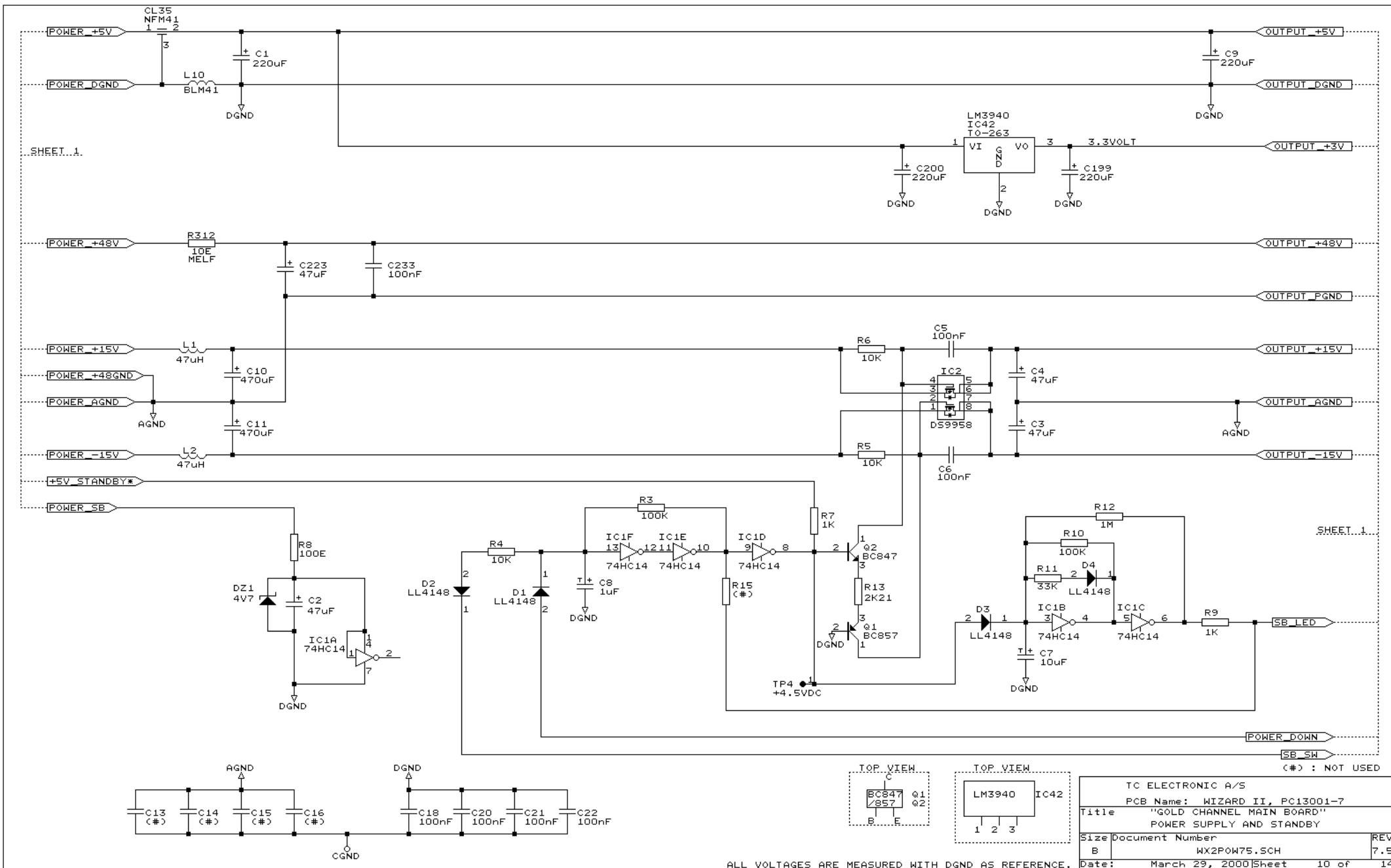


SHEET 5

TC ELECTRONIC A/S		
PCB Name: WIZARD II, PC13001-7		
Title "GOLD CHANNEL MAIN BOARD" INTERFACE		
Size	Document Number	REV
B	HX2INT75.SCH	7.5
Date:	March 29, 2000	Sheet 9 of 14

(#) : NOT USED

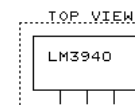
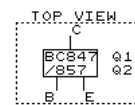
ALL VOLTAGES ARE MEASURED WITH DGND AS REFERENCE.



SHEET 1.

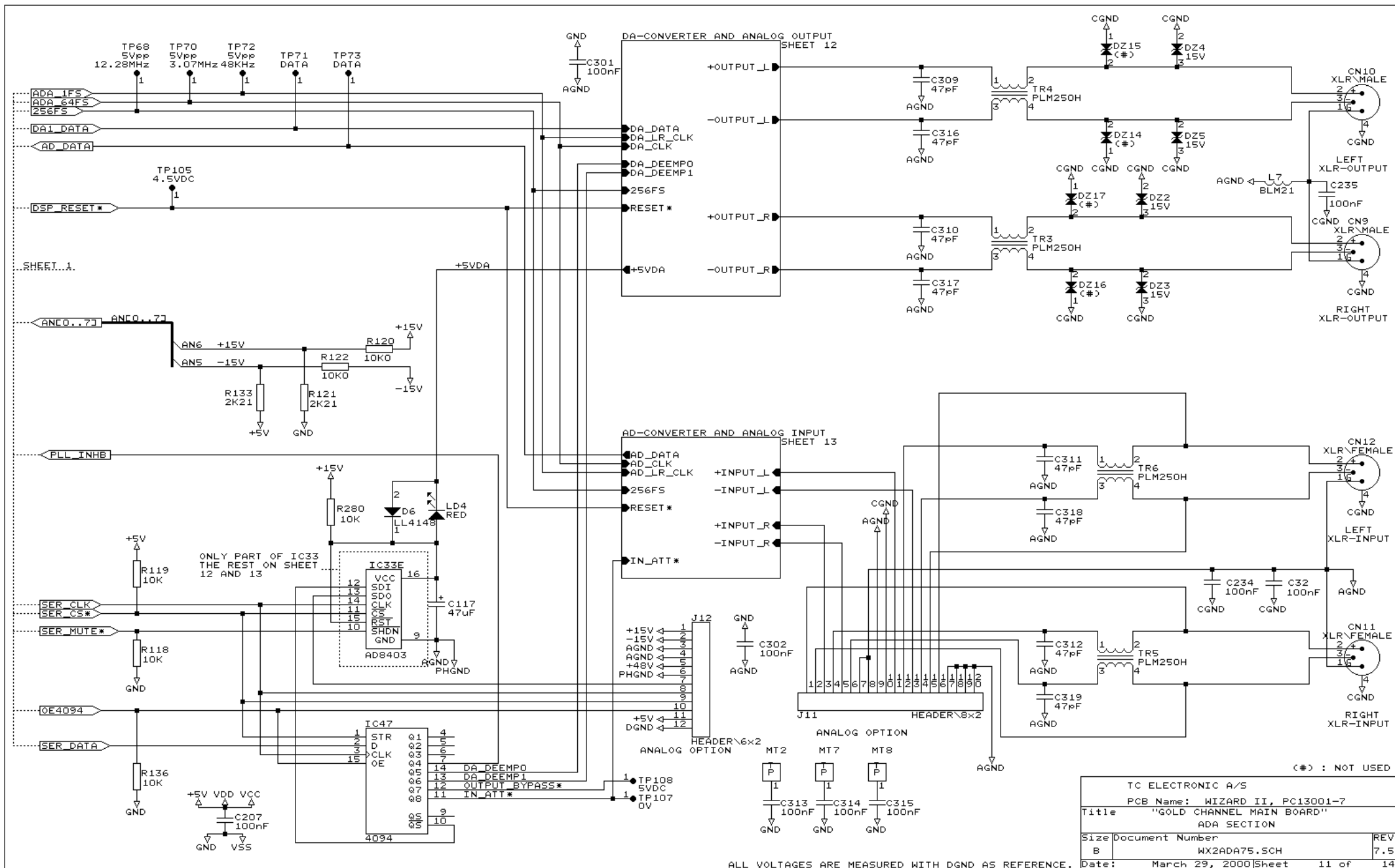
SHEET 1.

(#) : NOT USED



TC ELECTRONIC A/S		
PCB Name: WIZARD II, PC13001-7		
Title "GOLD CHANNEL MAIN BOARD"		
POWER SUPPLY AND STANDBY		
Size	Document Number	REV
B	HX2P0W75.SCH	7.5
Date:	March 29, 2000	Sheet 10 of 14

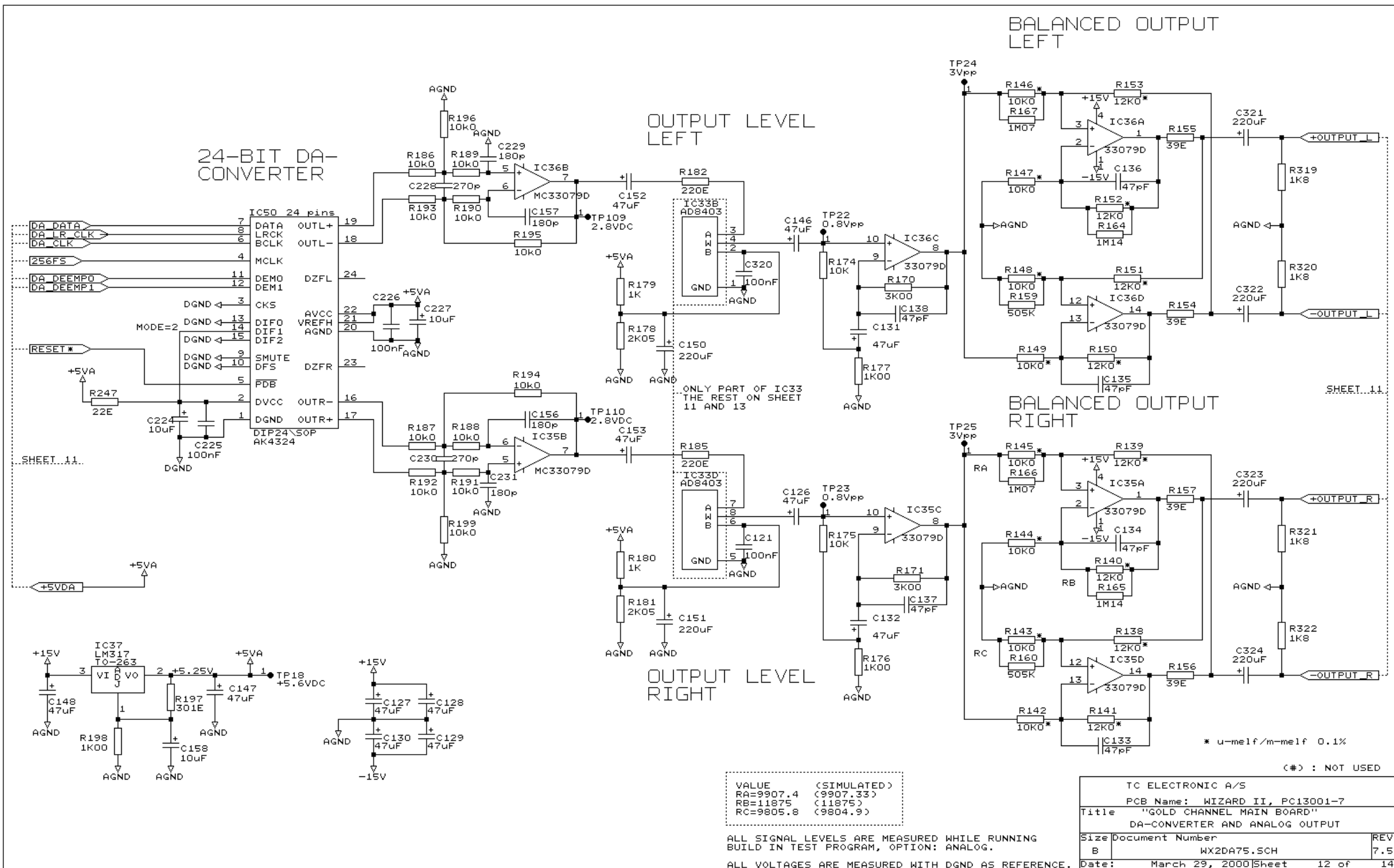
ALL VOLTAGES ARE MEASURED WITH DGND AS REFERENCE.

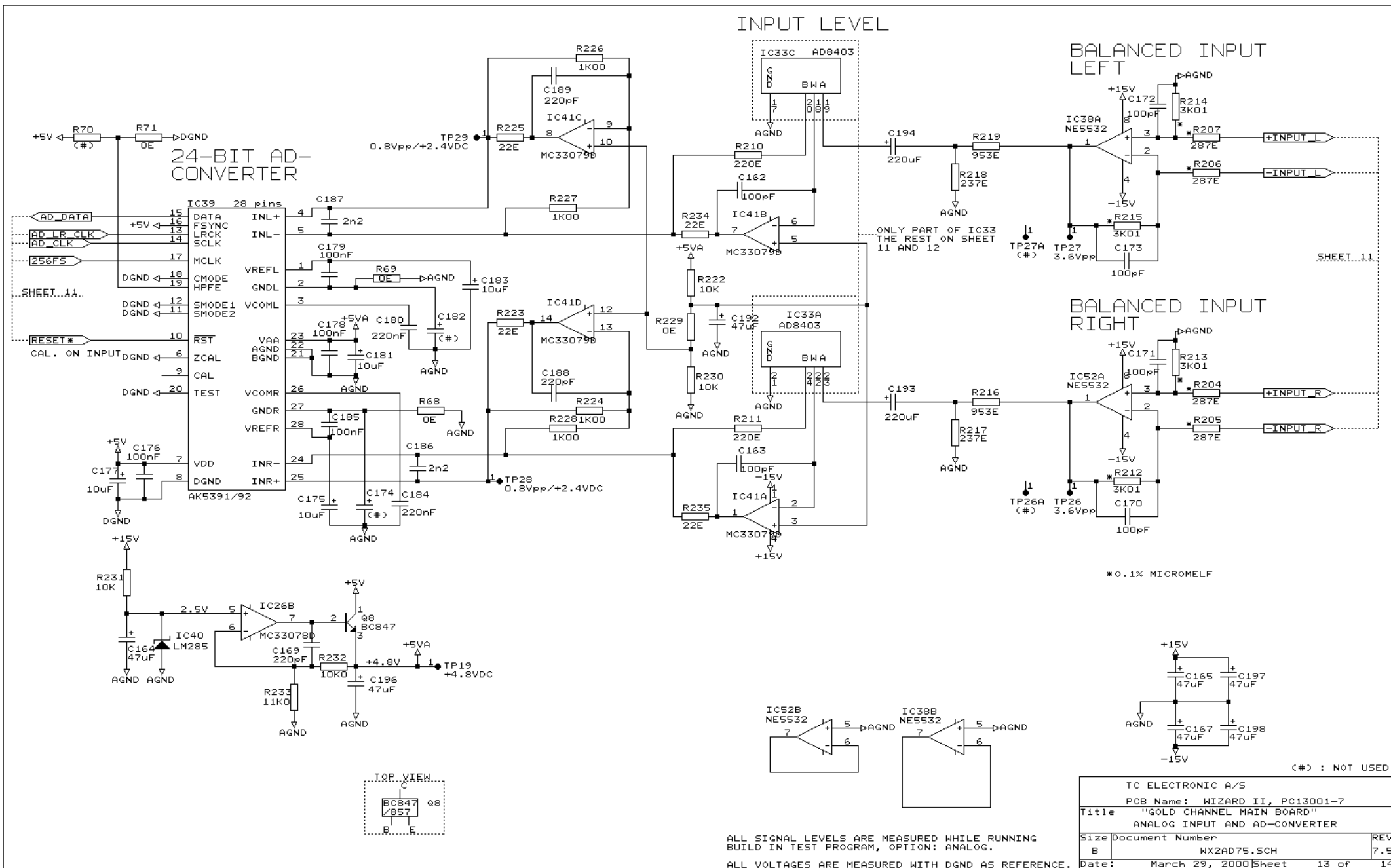


(#) : NOT USED

TC ELECTRONIC A/S		
PCB Name: WIZARD II, PC13001-7		
Title "GOLD CHANNEL MAIN BOARD"		
ADA SECTION		
Size	Document Number	REV
B	HX2ADA75.SCH	7.5
Date:	March 29, 2000	Sheet 11 of 14

ALL VOLTAGES ARE MEASURED WITH DGND AS REFERENCE.





24-BIT AD-CONVERTER

INPUT LEVEL

BALANCED INPUT LEFT

BALANCED INPUT RIGHT

SHEET...11

SHEET...11

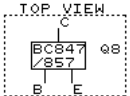
ONLY PART OF IC33 THE REST ON SHEET 11 AND 12

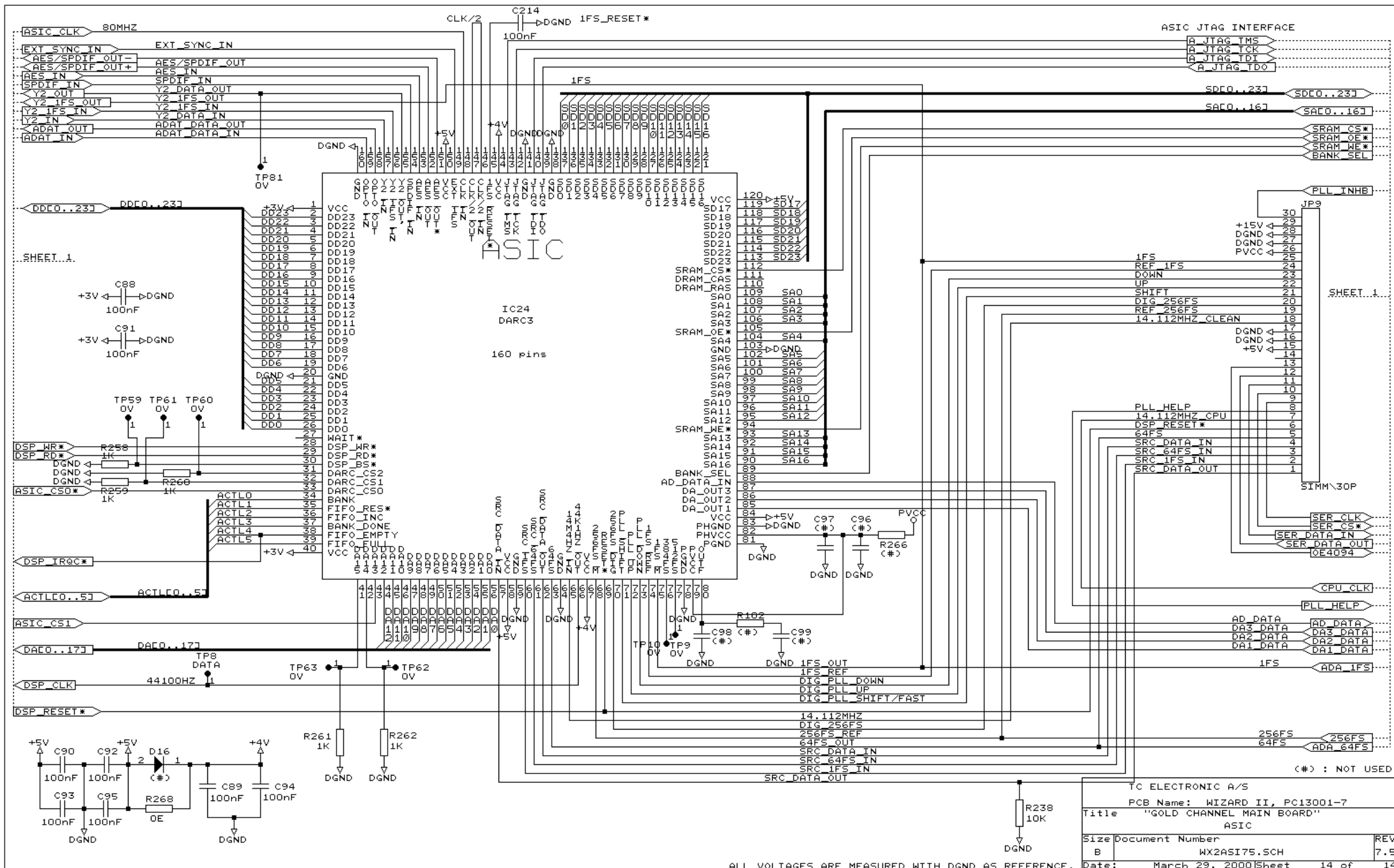
*0.1% MICROMELF

(#) : NOT USED

TC ELECTRONIC A/S		
PCB Name: WIZARD II, PC13001-7		
Title "GOLD CHANNEL MAIN BOARD"		
ANALOG INPUT AND AD-CONVERTER		
Size	Document Number	REV
B	HX2AD75.SCH	7.5
Date:	March 29, 2000	Sheet 13 of 14

ALL SIGNAL LEVELS ARE MEASURED WHILE RUNNING BUILD IN TEST PROGRAM, OPTION: ANALOG.
ALL VOLTAGES ARE MEASURED WITH DGND AS REFERENCE.





TC ELECTRONIC A/S		
PCB Name: WIZARD II, PC13001-7		
Title "GOLD CHANNEL MAIN BOARD" ASIC		
Size	Document Number	REV
B	WX2ASI75.SCH	7.5
Date:	March 29, 2000	Sheet 14 of 14

ALL VOLTAGES ARE MEASURED WITH DGND AS REFERENCE.