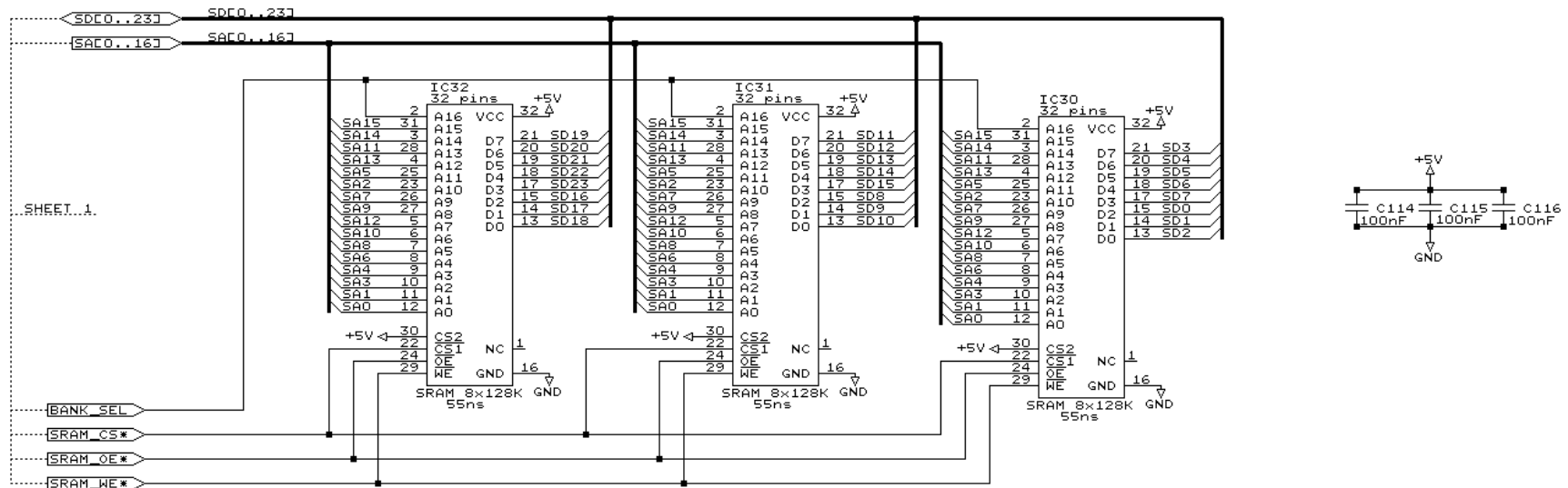


(#) : NOT USED

TC ELECTRONIC A/S		
PCB Name: WIZARD II, PC13003-1		
Title "FINALIZER 96 MAIN BOARD" MAIN BOARD		
Size	Document Number	REV
B	P1300314.SCH	1.4
Date:	November 9, 1999	Sheet 1 of 14

ALL VOLTAGES ARE MEASURED WITH DGND AS REFERENCE.

SOUND RAM

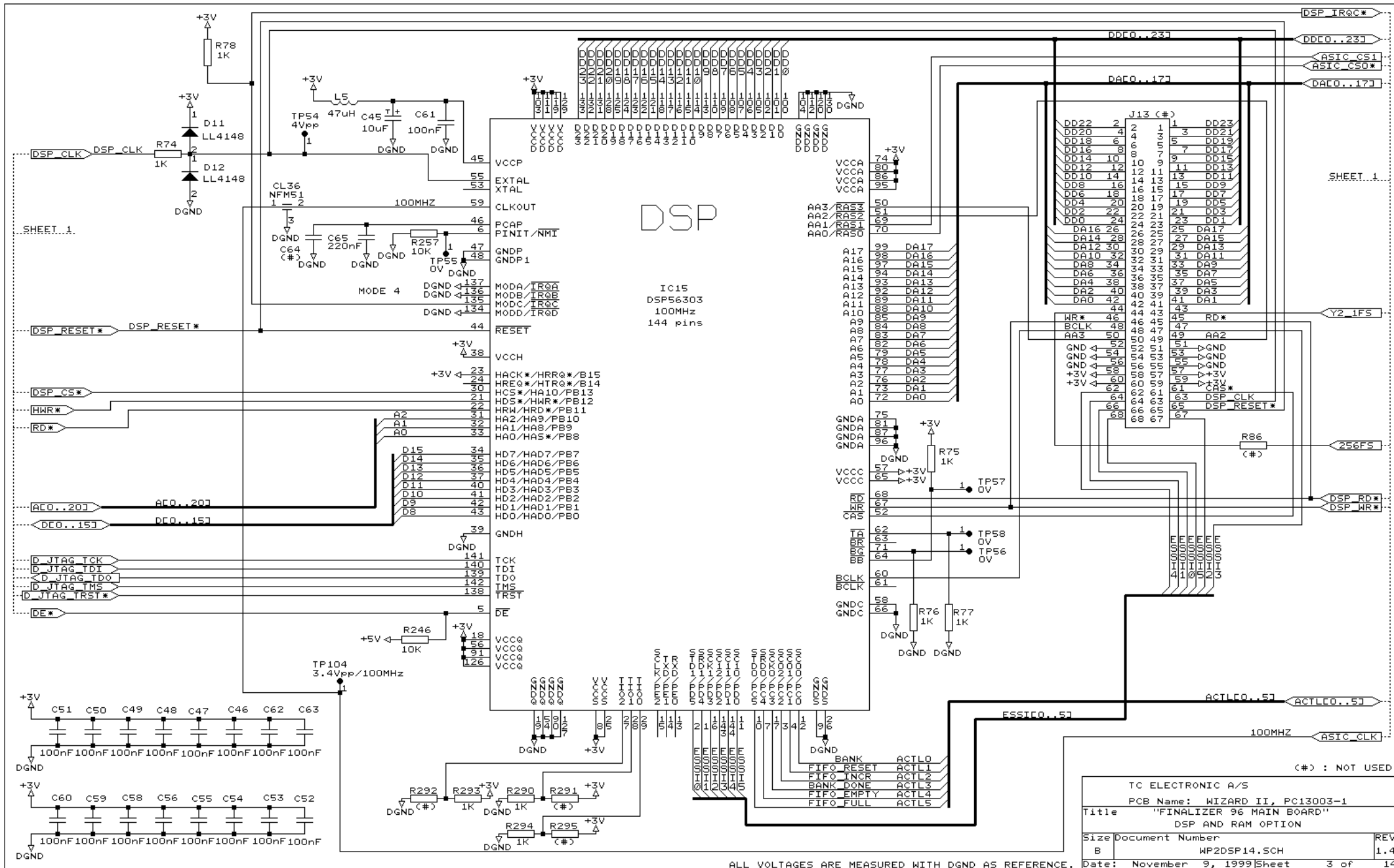


SHEET...1.

(#) : NOT USED

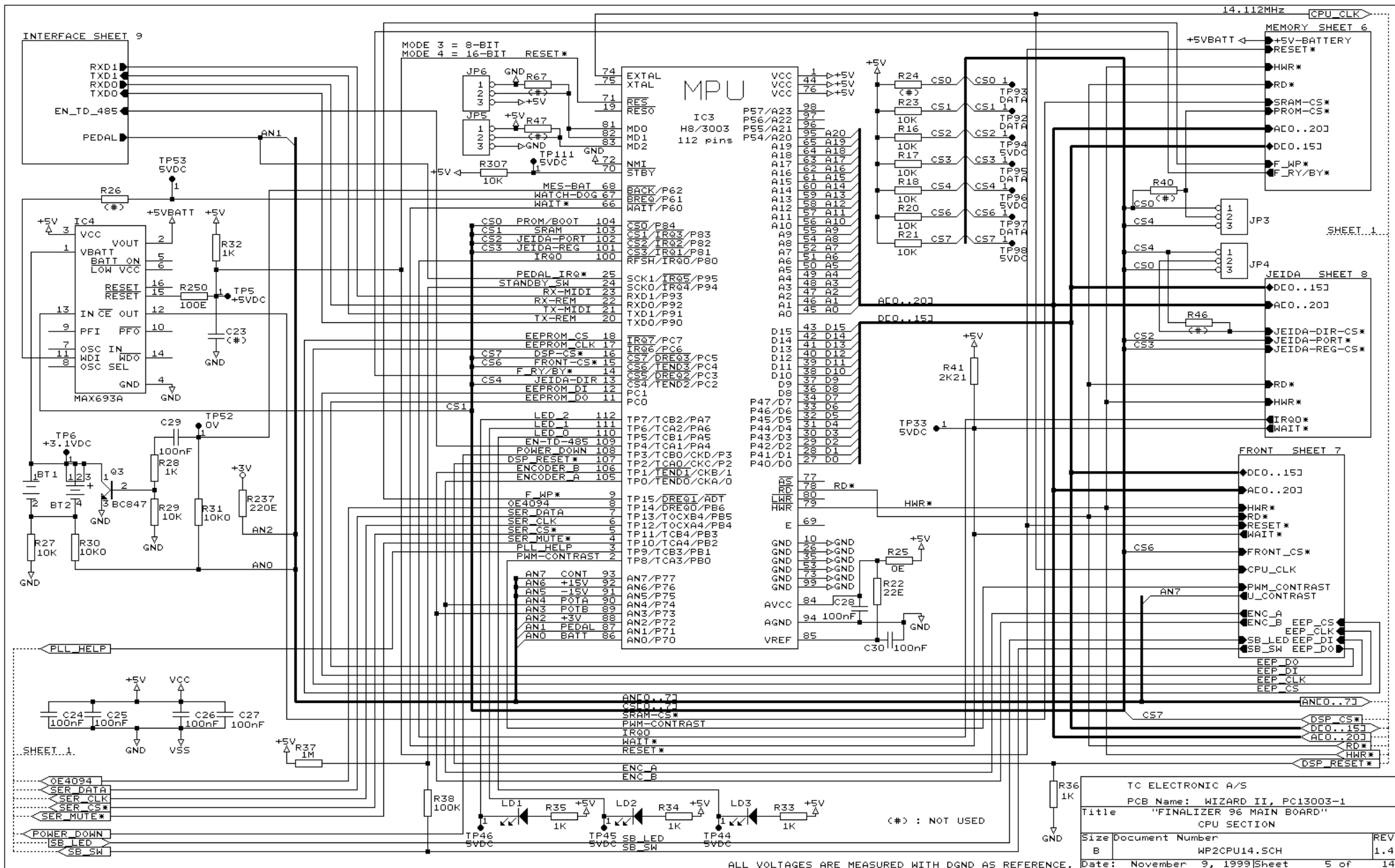
TC ELECTRONIC A/S		
PCB Name: WIZARD II, PC13003-1		
Title "FINALIZER 96 MAIN BOARD"		
MEMORY FOR DSP		
Size	Document Number	REV
B	WP2DSM14.SCH	1.4
Date:	November 9, 1999	Sheet 2 of 14

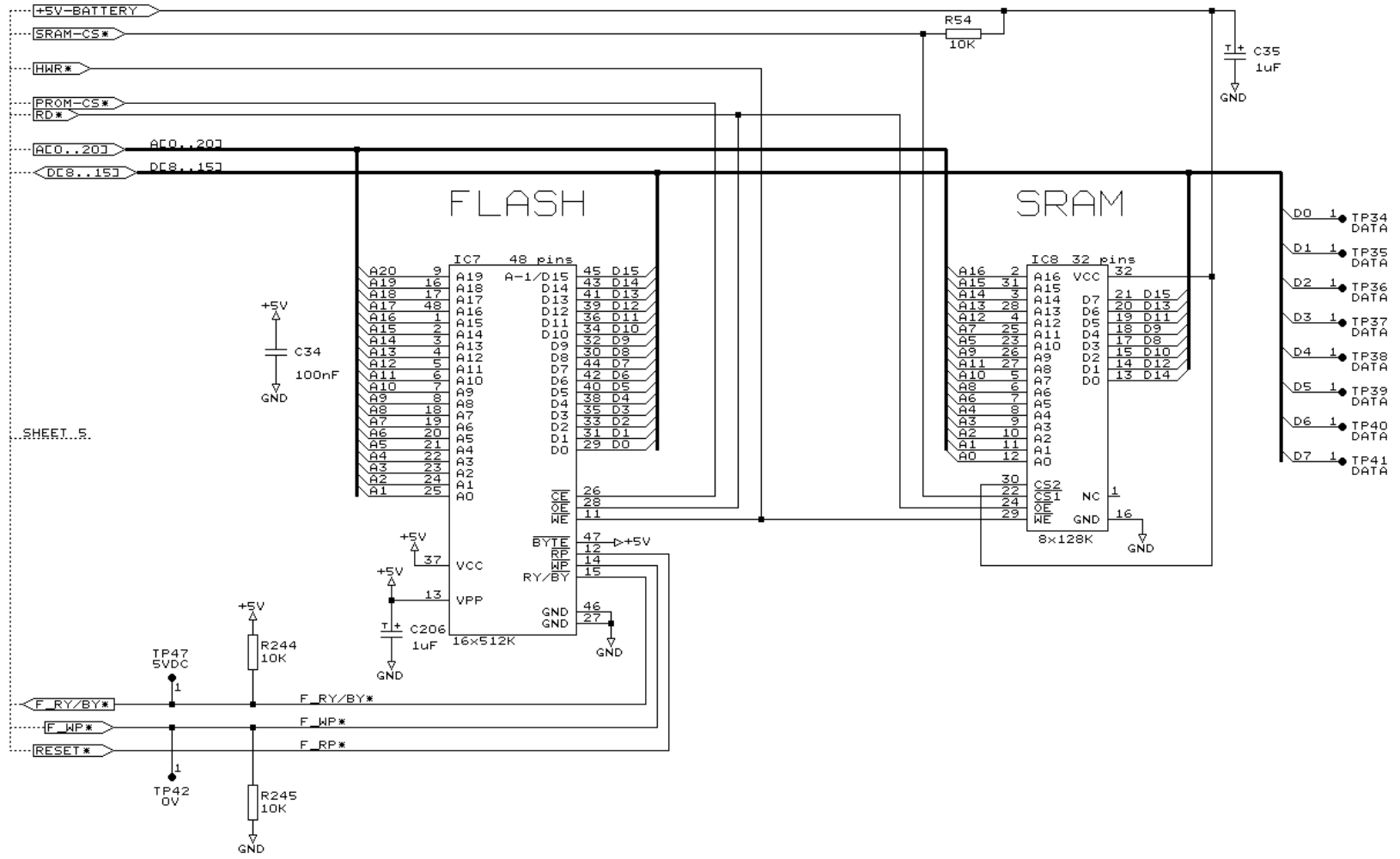
ALL VOLTAGES ARE MEASURED WITH DGND AS REFERENCE.



TC ELECTRONIC A/S		
PCB Name: WIZARD II, PC13003-1		
Title "FINALIZER 96 MAIN BOARD"		
DSP AND RAM OPTION		
Size	Document Number	REV
B	WP2DSP14.SCH	1.4
Date: November 9, 1999		Sheet 3 of 14

ALL VOLTAGES ARE MEASURED WITH DGND AS REFERENCE.



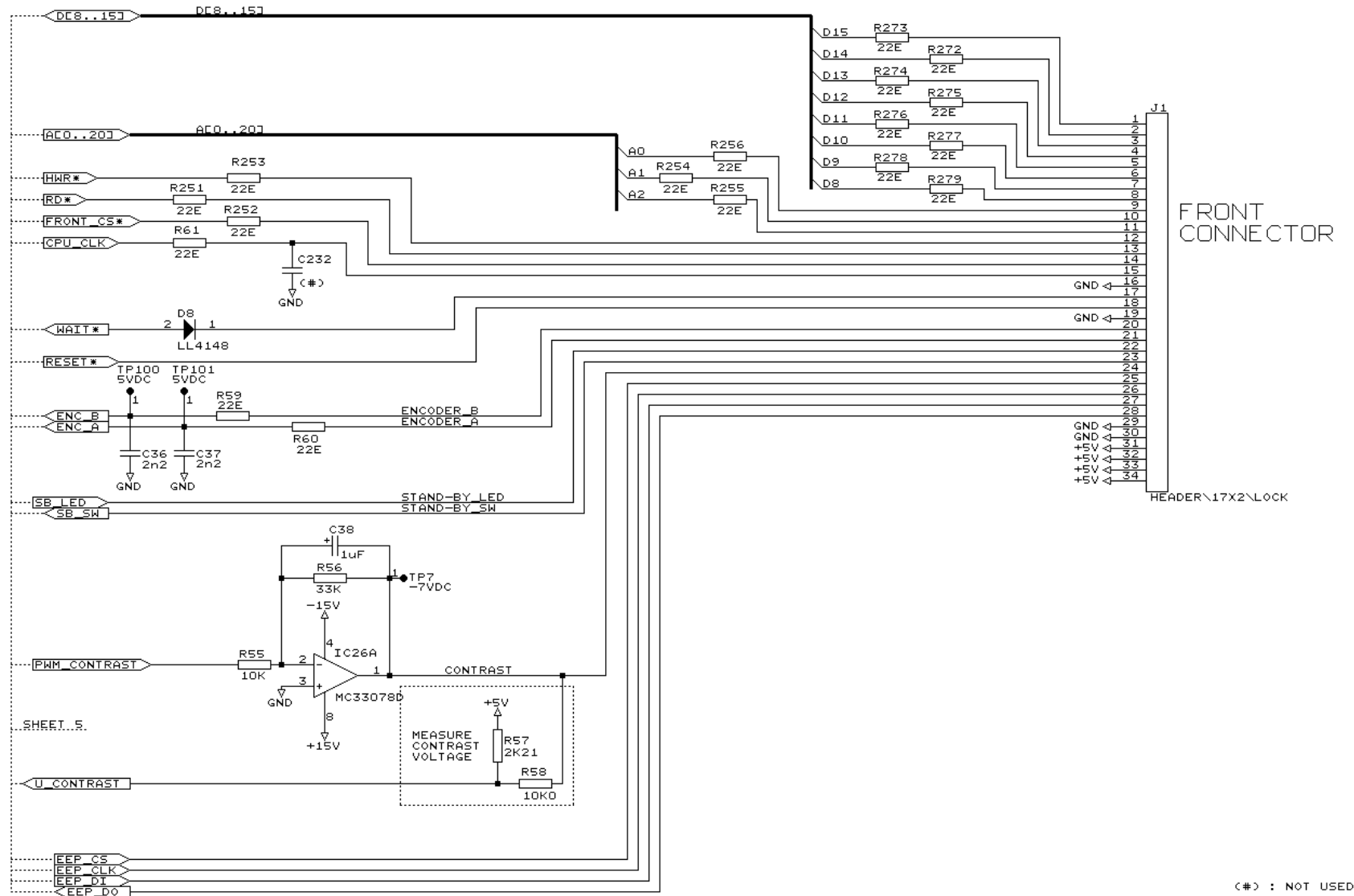


SHEET 5.

(#) : NOT USED

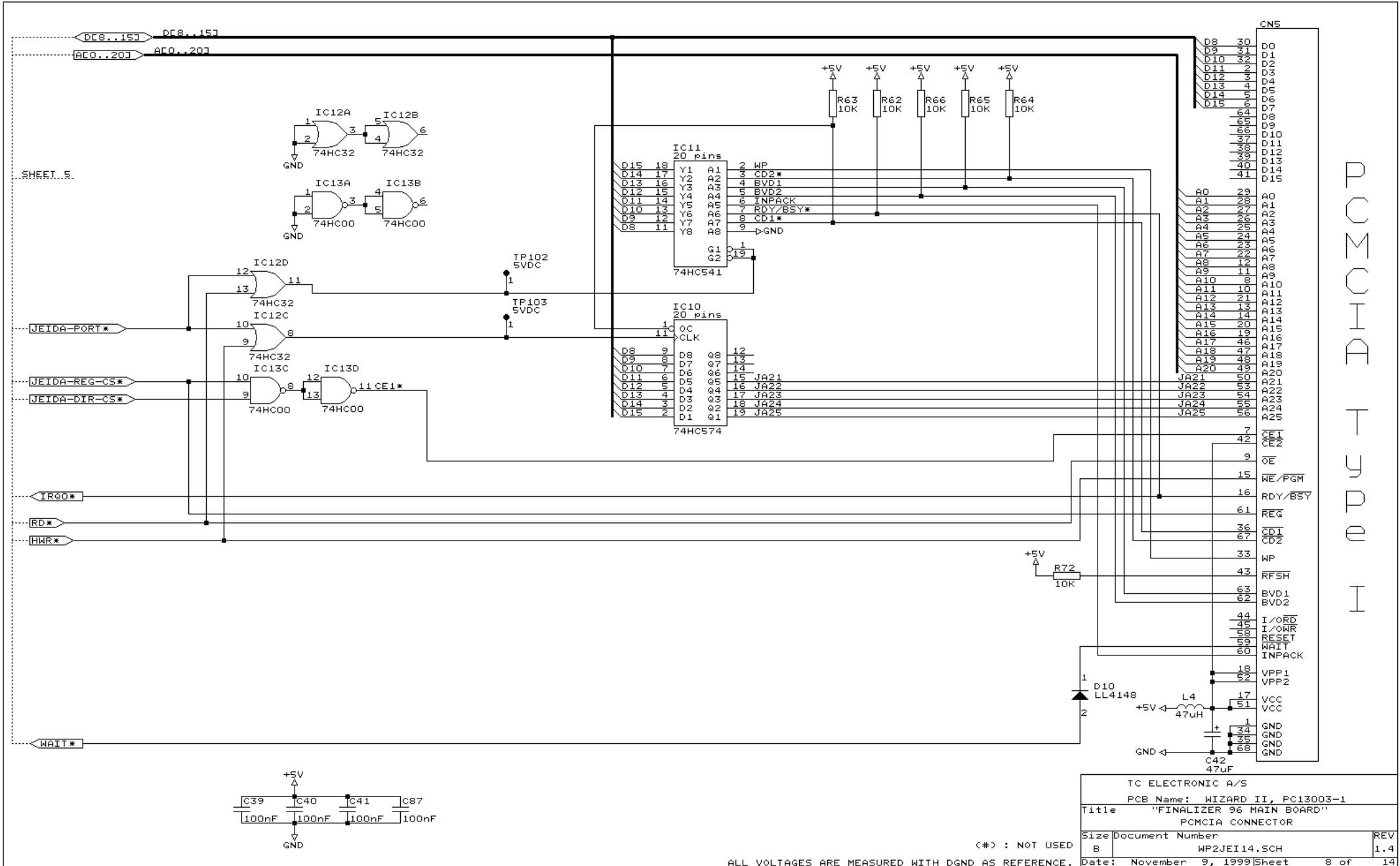
TC ELECTRONIC A/S		
PCB Name: WIZARD II, PC13003-1		
Title "FINALIZER 96 MAIN BOARD" CPU-MEMORY		
Size	Document Number	REV
B	WP2MEM14.SCH	1.4
Date:	November 9, 1999	Sheet 6 of 14

ALL VOLTAGES ARE MEASURED WITH DGND AS REFERENCE.



(C#) : NOT USED

TC ELECTRONIC A/S		
PCB Name: WIZARD II, PC13003-1		
Title "FINALIZER 96 MAIN BOARD"		
CONNECTION TO FRONT PCB		
Size	Document Number	REV
B	WP2FNT14.SCH	1.4
Date:	November 9, 1999	Sheet 7 of 14

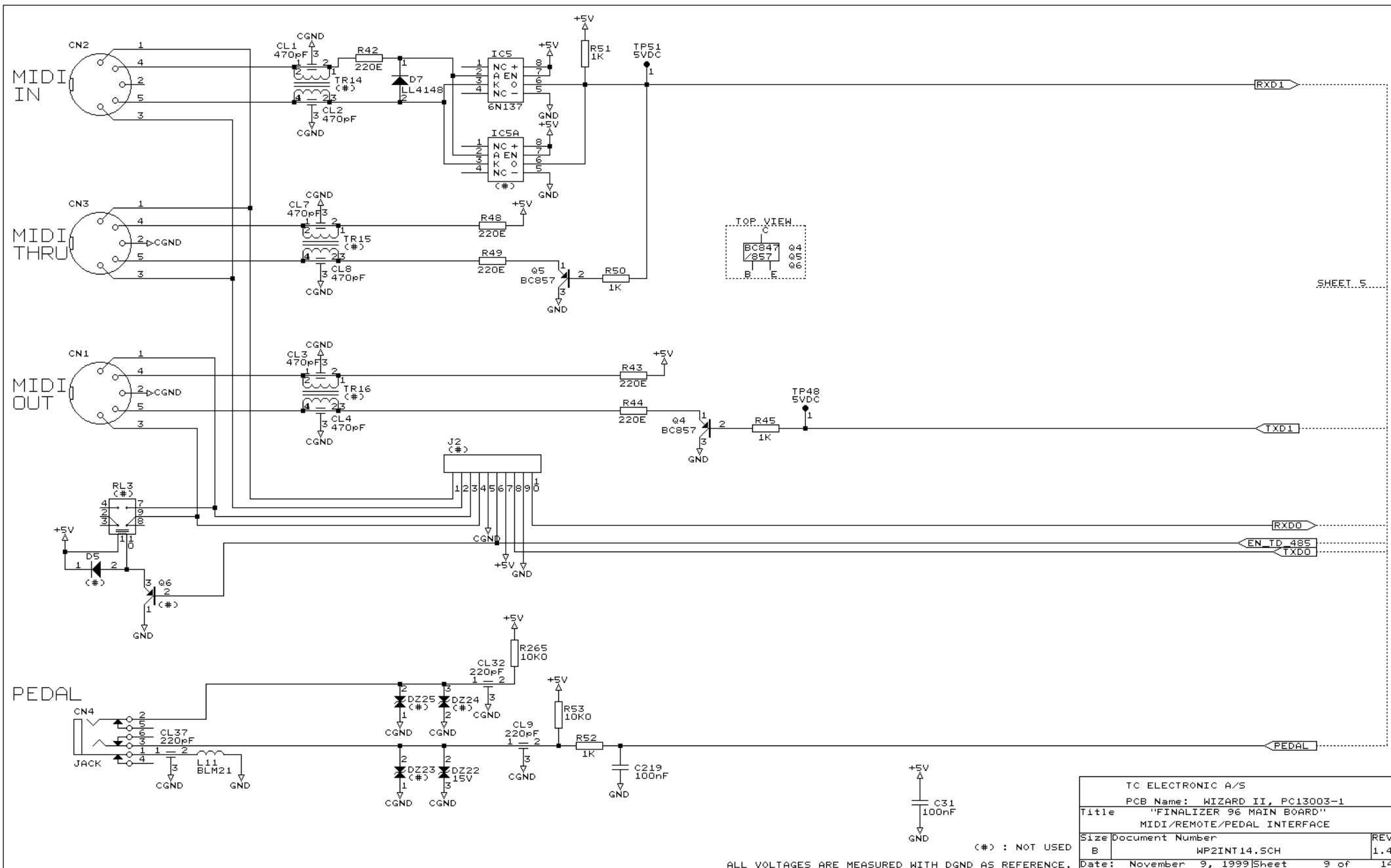


A H C M O P A T Y O I

TC ELECTRONIC A/S		
PCB Name: WIZARD II, PC13003-1		
Title "FINALIZER 96 MAIN BOARD"		
PCMCIA CONNECTOR		
Size	Document Number	REV
B	WP2JEI14.SCH	1.4
Date:	November 9, 1999	Sheet 8 of 14

(#) : NOT USED

ALL VOLTAGES ARE MEASURED WITH DGND AS REFERENCE.

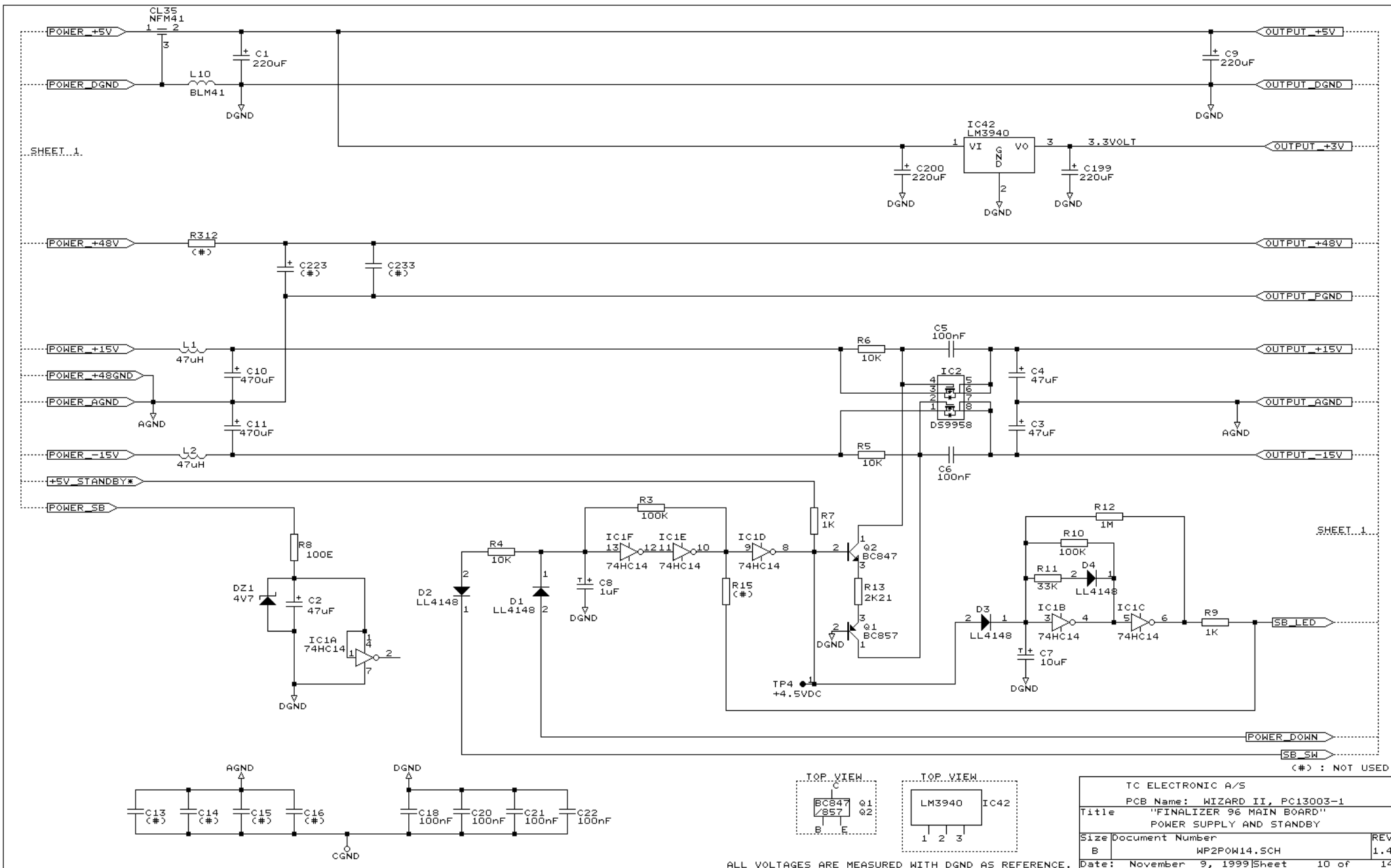


SHEET 5

TC ELECTRONIC A/S		
PCB Name: WIZARD II, PC13003-1		
Title "FINALIZER 96 MAIN BOARD"		
MIDI/REMOTE/PEDAL INTERFACE		
Size	Document Number	REV
B	WP2INT14.SCH	1.4
Date:	November 9, 1999	Sheet 9 of 14

(#) : NOT USED

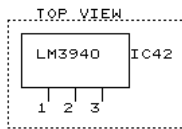
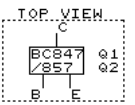
ALL VOLTAGES ARE MEASURED WITH DGND AS REFERENCE.



SHEET...1

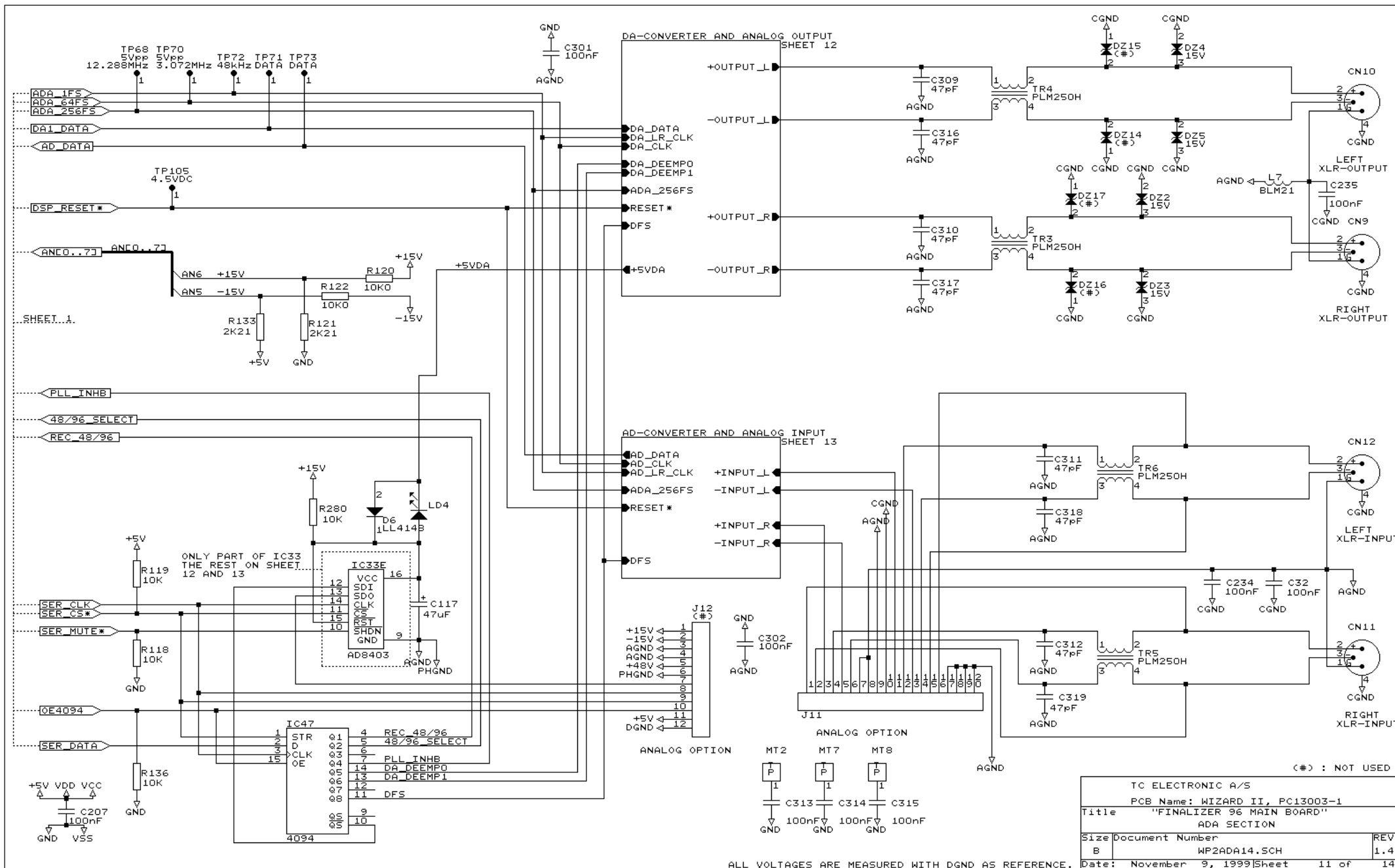
SHEET...1

(#) : NOT USED



TC ELECTRONIC A/S		
PCB Name: WIZARD II, PC13003-1		
Title "FINALIZER 96 MAIN BOARD"		
POWER SUPPLY AND STANDBY		
Size	Document Number	REV
B	WP2P0W14.SCH	1.4
Date:	November 9, 1999	Sheet 10 of 14

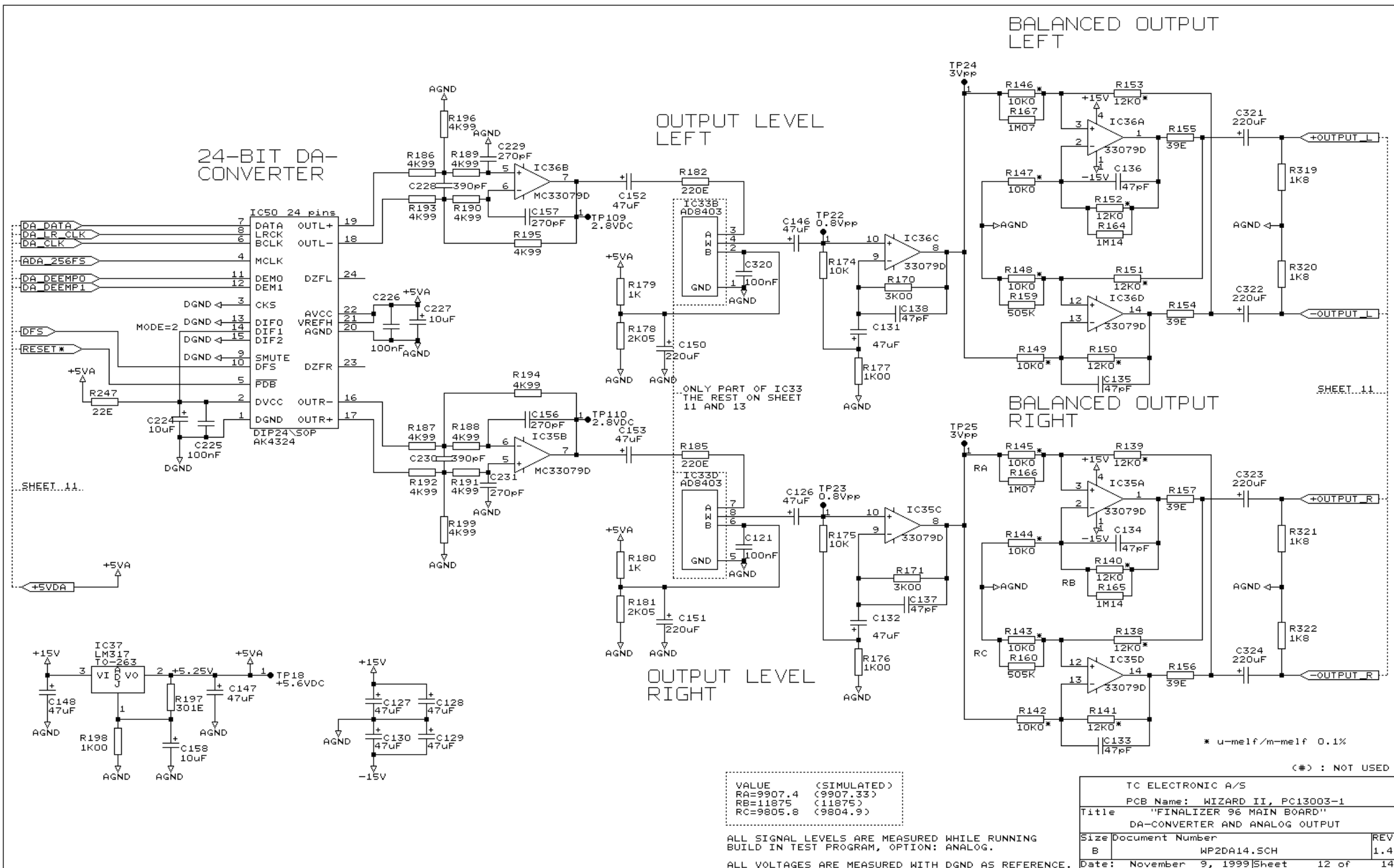
ALL VOLTAGES ARE MEASURED WITH DGND AS REFERENCE.



(#) : NOT USED

TC ELECTRONIC A/S		
PCB Name: WIZARD II, PC13003-1		
Title "FINALIZER 96 MAIN BOARD"		
ADA SECTION		
Size	Document Number	REV
B	WP2ADA14.SCH	1.4
Date:	November 9, 1999	Sheet 11 of 14

ALL VOLTAGES ARE MEASURED WITH DGND AS REFERENCE.



24-BIT DA-CONVERTER

OUTPUT LEVEL LEFT

BALANCED OUTPUT LEFT

BALANCED OUTPUT RIGHT

OUTPUT LEVEL RIGHT

ONLY PART OF IC33 THE REST ON SHEET 11 AND 13

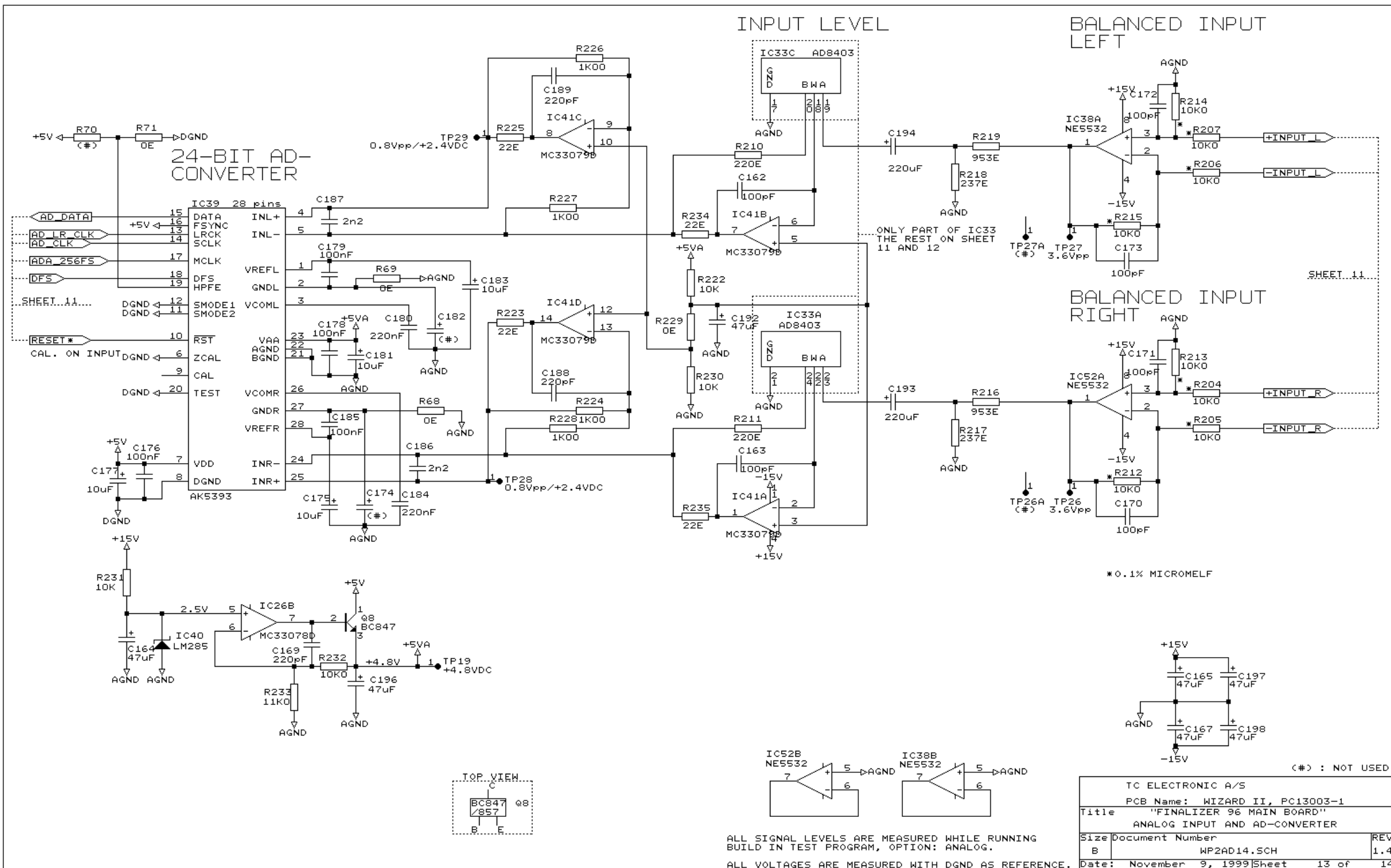
VALUE	(SIMULATED)
RA=9907.4	(9907.33)
RB=11875	(11875)
RC=9805.8	(9804.9)

ALL SIGNAL LEVELS ARE MEASURED WHILE RUNNING BUILD IN TEST PROGRAM, OPTION: ANALOG.
ALL VOLTAGES ARE MEASURED WITH DGND AS REFERENCE.

TC ELECTRONIC A/S		
PCB Name: WIZARD II, PC13003-1		
Title "FINALIZER 96 MAIN BOARD"		
DA-CONVERTER AND ANALOG OUTPUT		
Size	Document Number	REV
B	WP2DA14.SCH	1.4
Date:	November 9, 1999	Sheet 12 of 14

* u-melf/m-melf 0.1%

(#) : NOT USED



24-BIT AD-CONVERTER

INPUT LEVEL

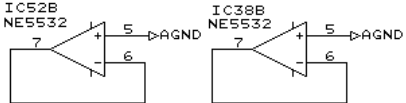
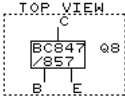
BALANCED INPUT LEFT

BALANCED INPUT RIGHT

SHEET 11

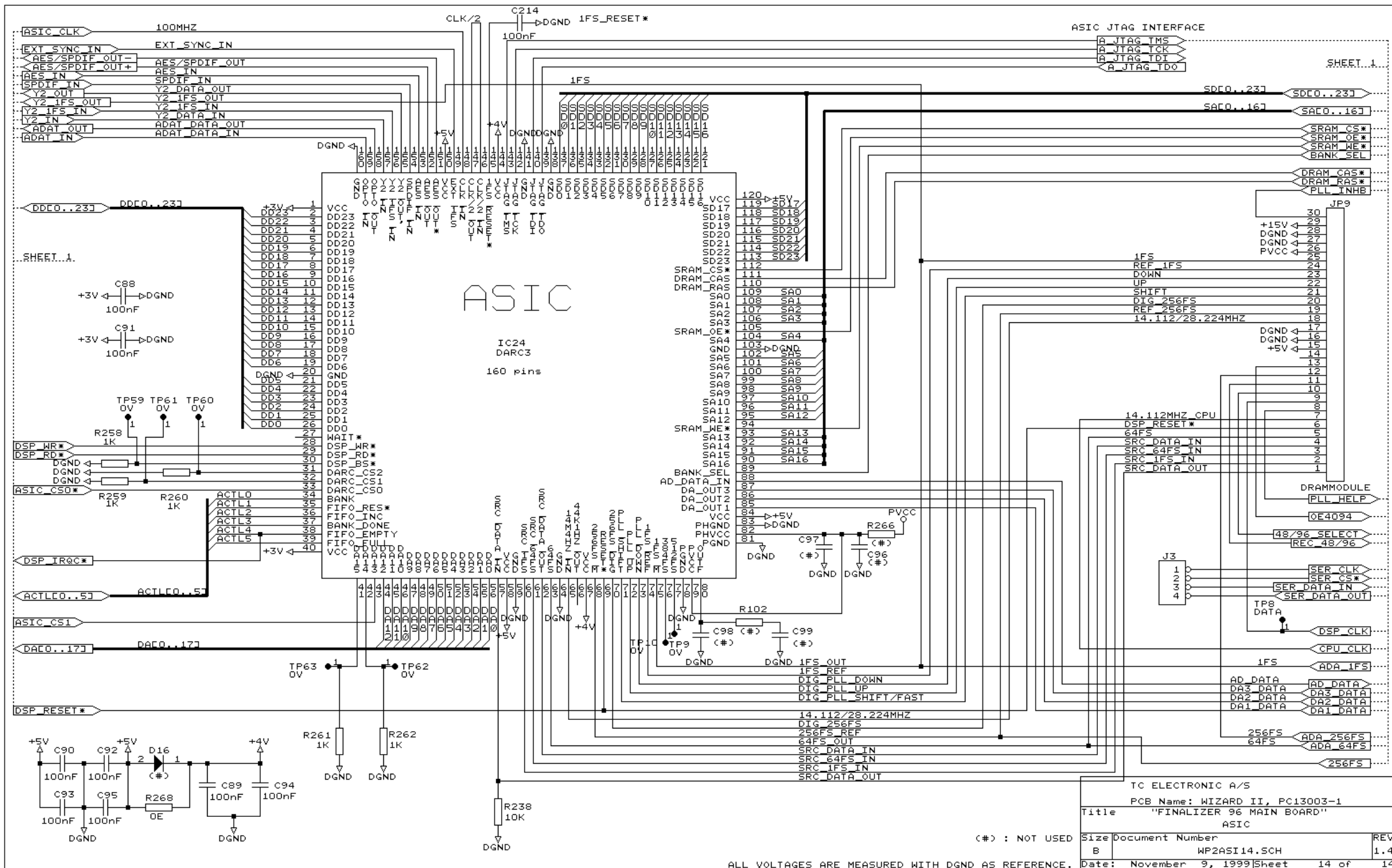
*0.1% MICROMELF

(#) : NOT USED



TC ELECTRONIC A/S		
PCB Name: WIZARD II, PC13003-1		
Title "FINALIZER 96 MAIN BOARD"		
ANALOG INPUT AND AD-CONVERTER		
Size	Document Number	REV
B	WP2AD14.SCH	1.4
Date:	November 9, 1999	Sheet 13 of 14

ALL SIGNAL LEVELS ARE MEASURED WHILE RUNNING BUILD IN TEST PROGRAM, OPTION: ANALOG.
ALL VOLTAGES ARE MEASURED WITH DGND AS REFERENCE.



TC ELECTRONIC A/S		
PCB Name: WIZARD II, PC13003-1		
Title "FINALIZER 96 MAIN BOARD" ASIC		
Size	Document Number	REV
B	WP2ASI14.SCH	1.4
Date:	November 9, 1999	Sheet 14 of 14

ALL VOLTAGES ARE MEASURED WITH DGND AS REFERENCE.

(#) : NOT USED