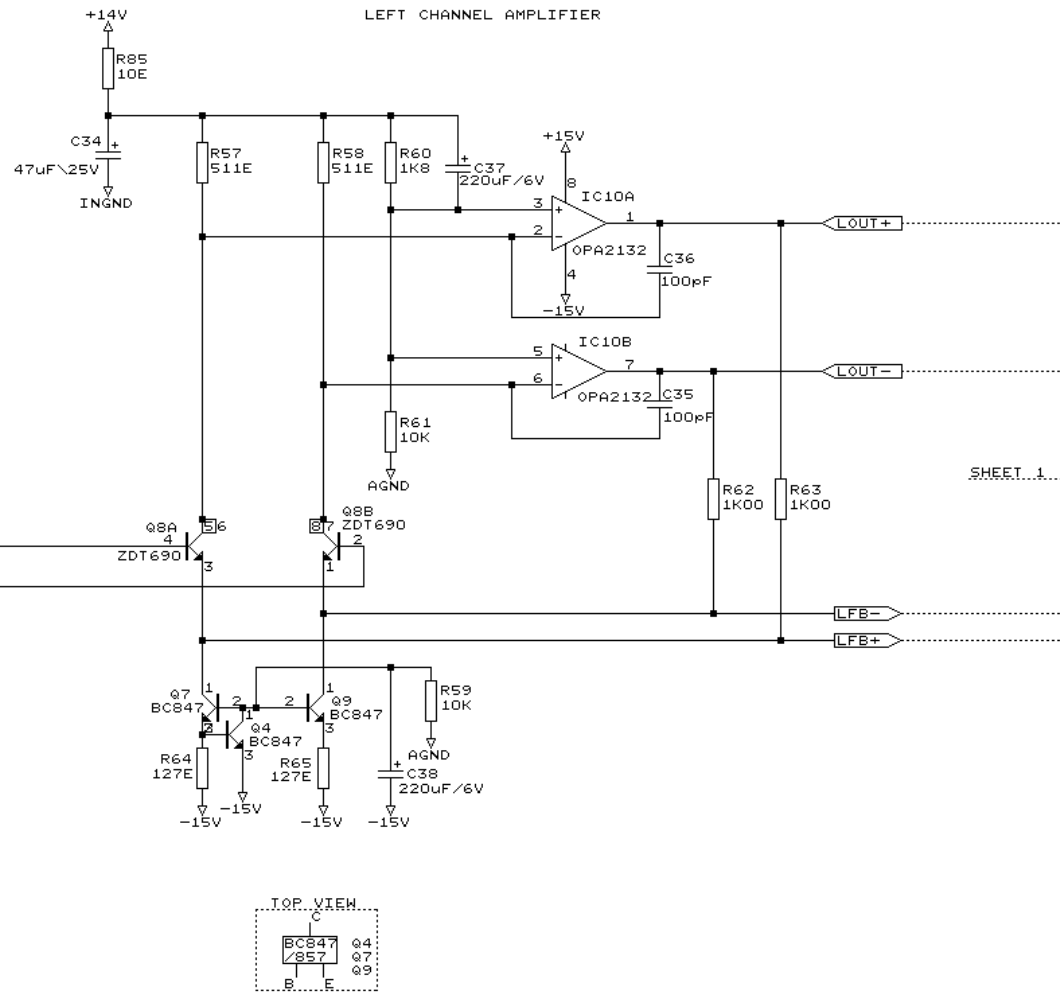


SHEET 1.
 RIN+
 RIN-

SHEET 1.
 ROUT+
 ROUT-
 RFB-
 RFB+

(#) : NOT USED

TC ELECTRONIC A/S		
PCB Name: PC12905-3		
Title MICROPHONE BOARD FOR GOLD CHANNEL RIGHT MICROPHONE AMPLIFIER		
Size	Document Number	REV
B	AMPR33.SCH	3.3
Date:	June 15, 1999	Sheet 2 of 3



(#) : NOT USED

TC ELECTRONIC A/S		
PCB Name: PC12905-3		
Title MICROPHONE BOARD FOR GOLD CHANNEL LEFT MICROPHONE AMPLIFIER		
Size	Document Number	REV
B	AMPL33.SCH	3.3
Date:	June 15, 1999	Sheet 3 of 3