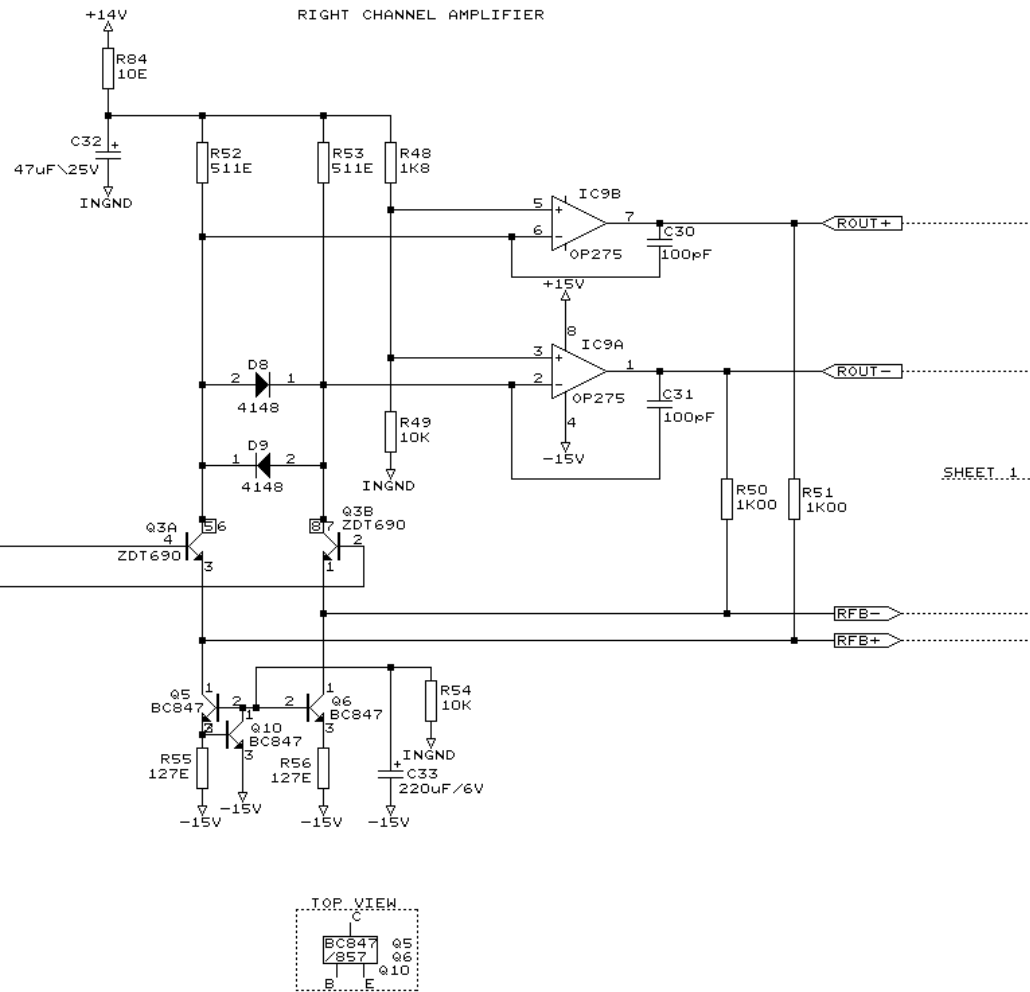


|                                         |                  |              |
|-----------------------------------------|------------------|--------------|
| TC ELECTRONIC A/S                       |                  |              |
| PCB Name: PC12905-5                     |                  |              |
| Title MICROPHONE BOARD FOR GOLD CHANNEL |                  |              |
| MICROPHONE BOARD                        |                  |              |
| Size                                    | Document Number  | REV          |
| B                                       | P1290550.SCH     | 5.0          |
| Date:                                   | January 13, 2000 | Sheet 1 of 3 |

ALL RELAYS OF TYPE: FUJITZU AL-5W-K  
 ALL VOLTAGES ARE MEASURED WITH DGND AS REFERENCE.

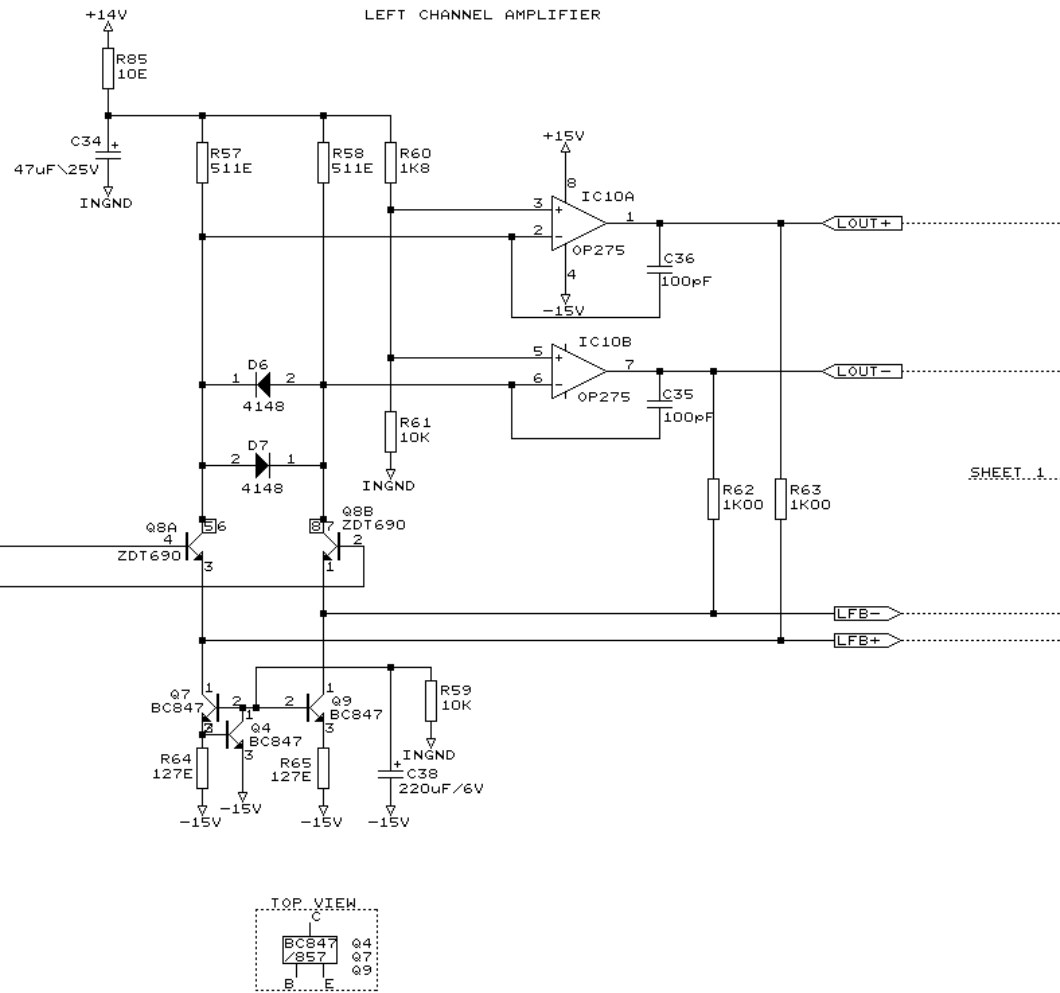


SHEET 1.

SHEET 1.

(#) : NOT USED

|                                                                       |                  |              |
|-----------------------------------------------------------------------|------------------|--------------|
| TC ELECTRONIC A/S                                                     |                  |              |
| PCB Name: PC12905-5                                                   |                  |              |
| Title MICROPHONE BOARD FOR GOLD CHANNEL<br>RIGHT MICROPHONE AMPLIFIER |                  |              |
| Size                                                                  | Document Number  | REV          |
| B                                                                     | AMPR50.SCH       | 5.0          |
| Date:                                                                 | January 13, 2000 | Sheet 2 of 3 |



SHEET 1.

SHEET 1.

(#) : NOT USED

|                                                                      |                  |              |
|----------------------------------------------------------------------|------------------|--------------|
| TC ELECTRONIC A/S                                                    |                  |              |
| PCB Name: PC12905-5                                                  |                  |              |
| Title MICROPHONE BOARD FOR GOLD CHANNEL<br>LEFT MICROPHONE AMPLIFIER |                  |              |
| Size                                                                 | Document Number  | REV          |
| B                                                                    | AMPL50.SCH       | 5.0          |
| Date:                                                                | January 13, 2000 | Sheet 3 of 3 |

ALL VOLTAGES ARE MEASURED WITH DGND AS REFERENCE.