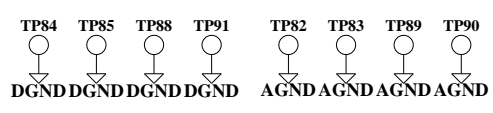
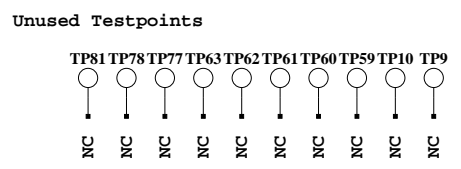
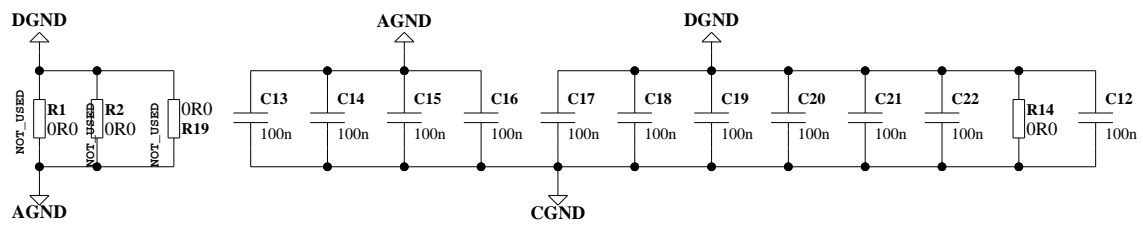
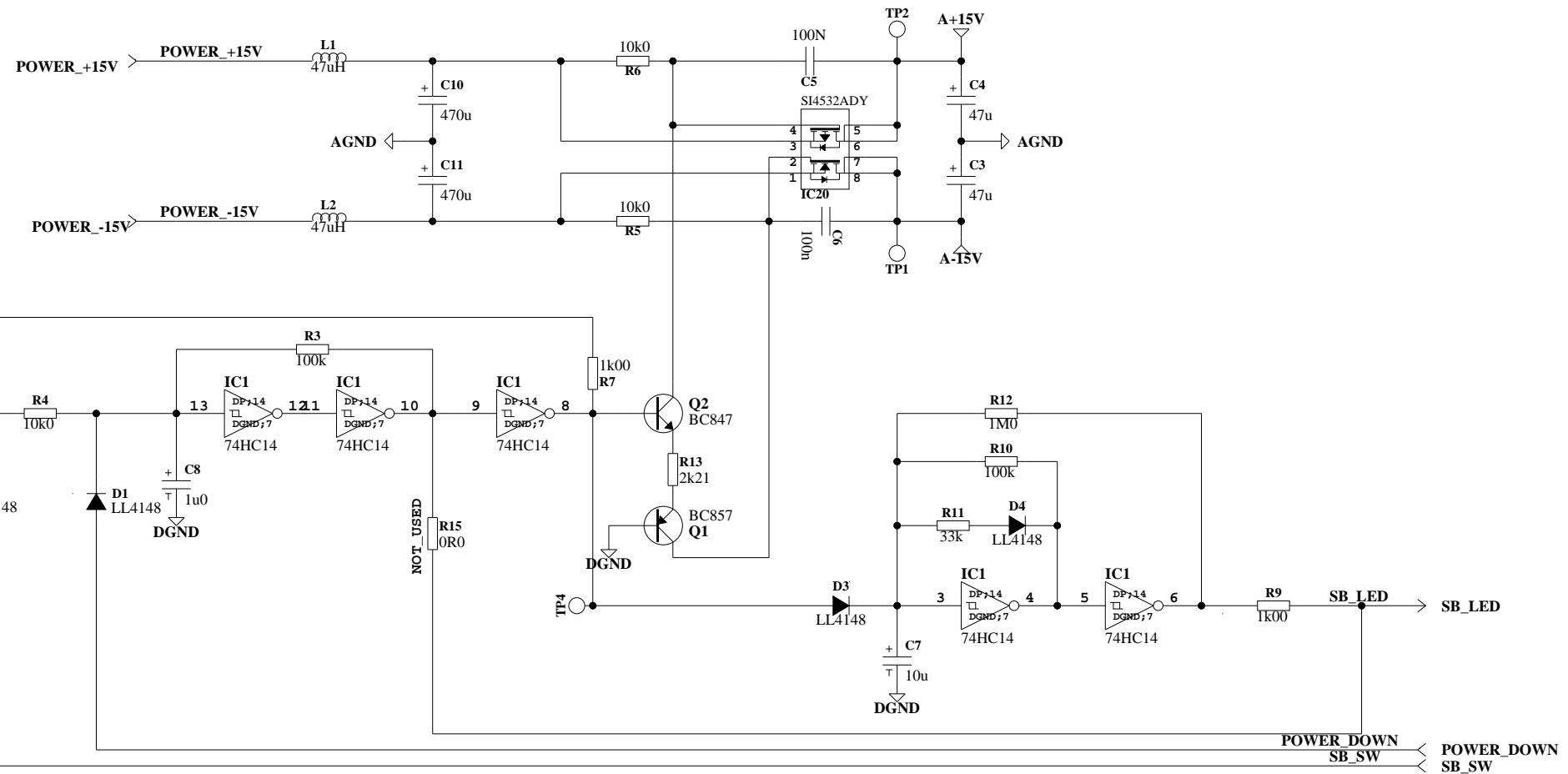
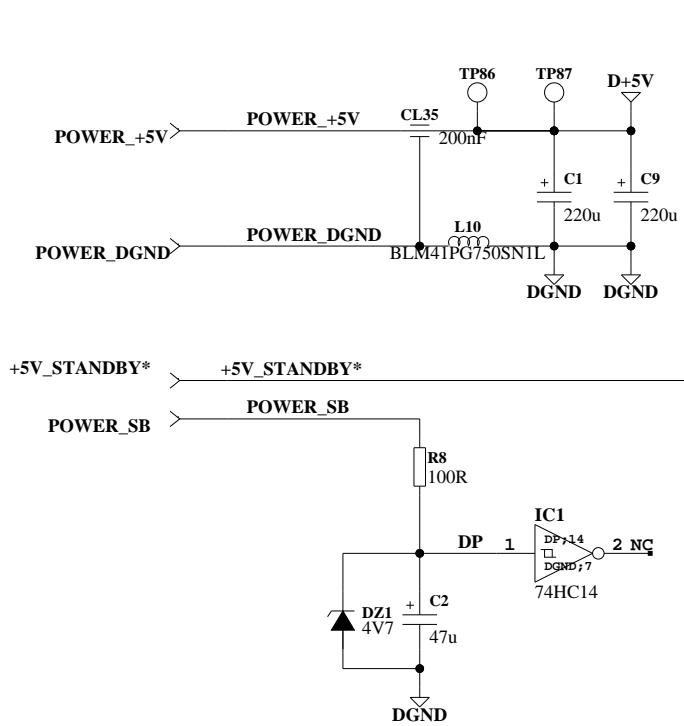
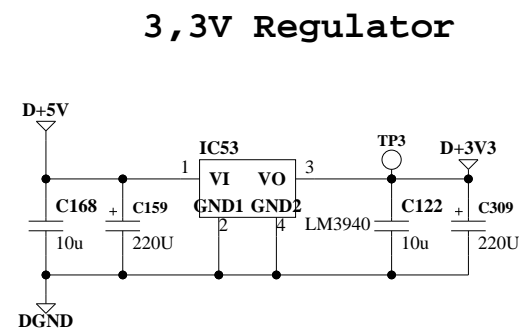
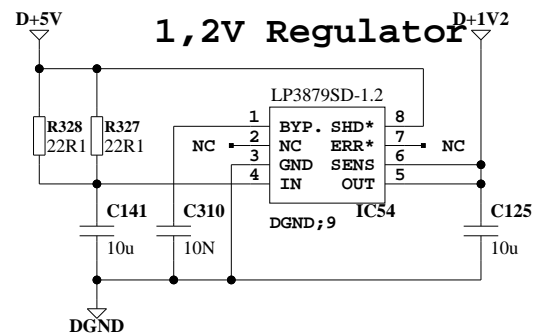
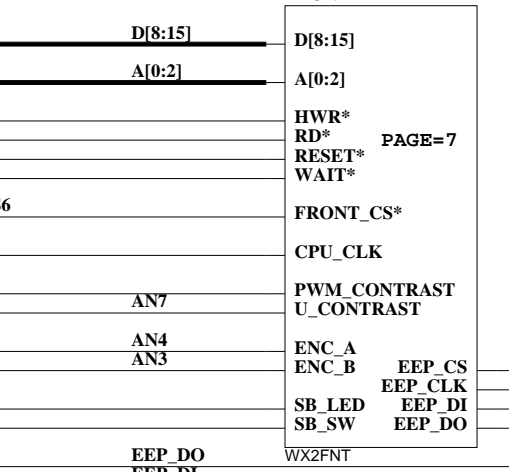
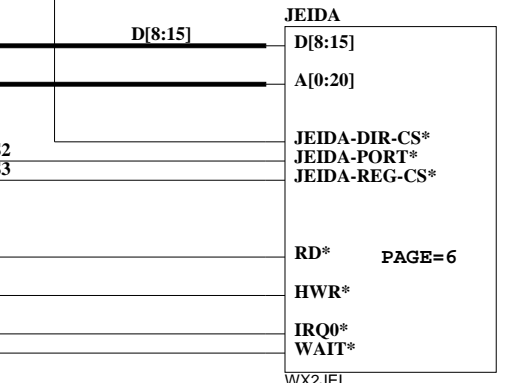
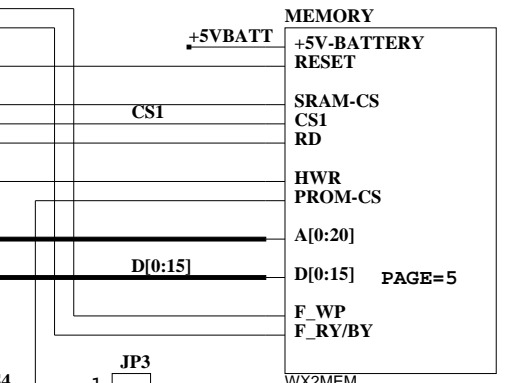
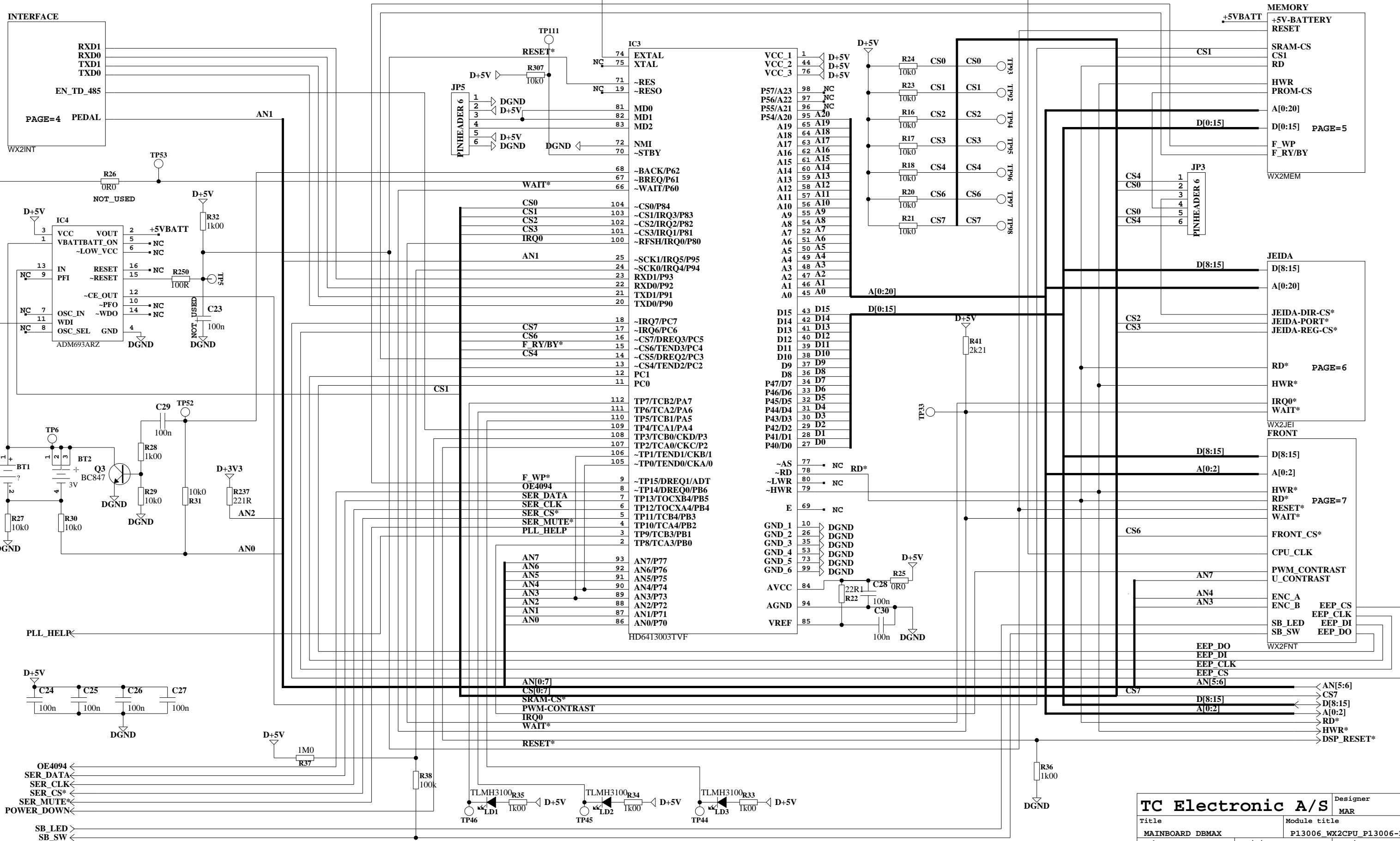


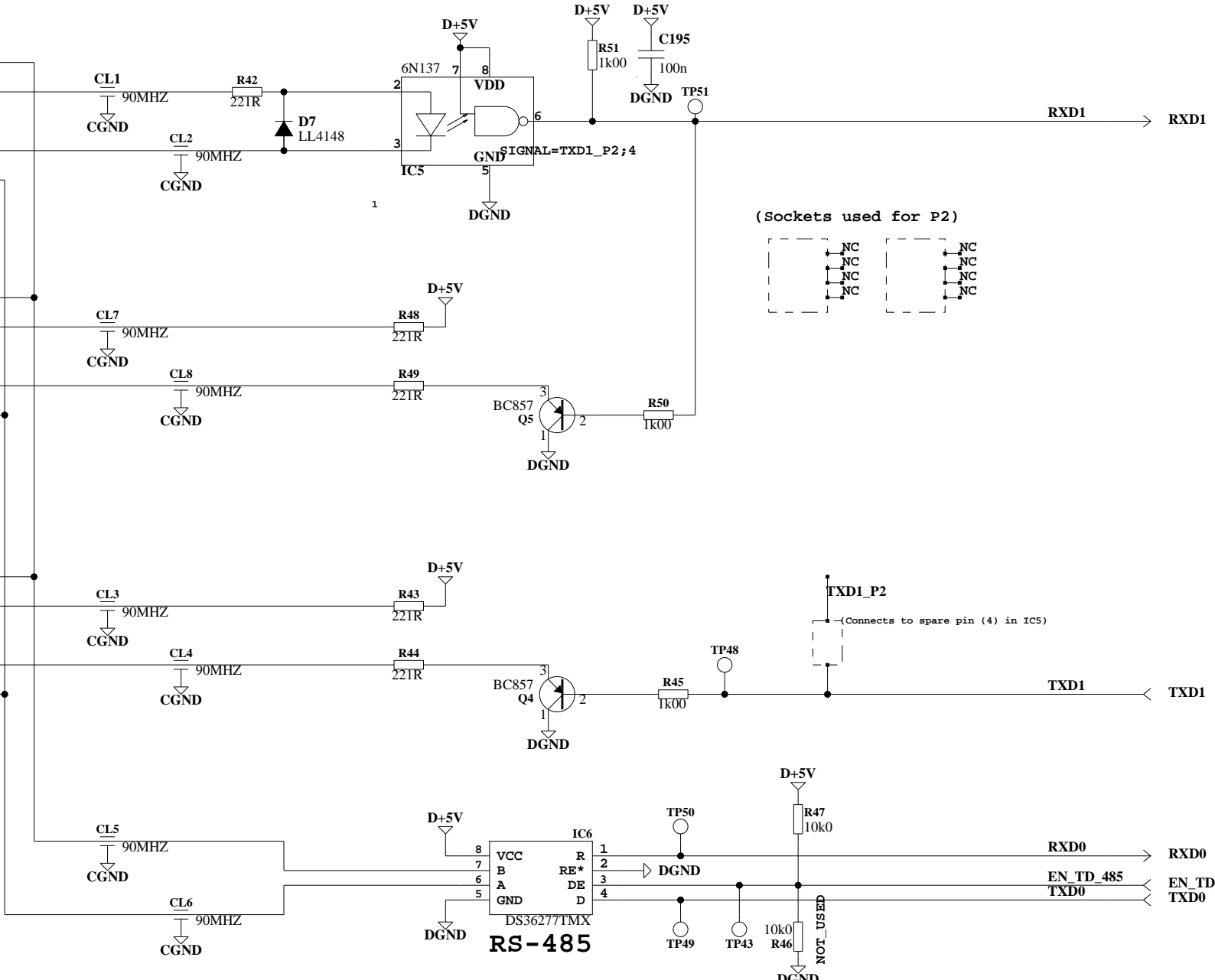
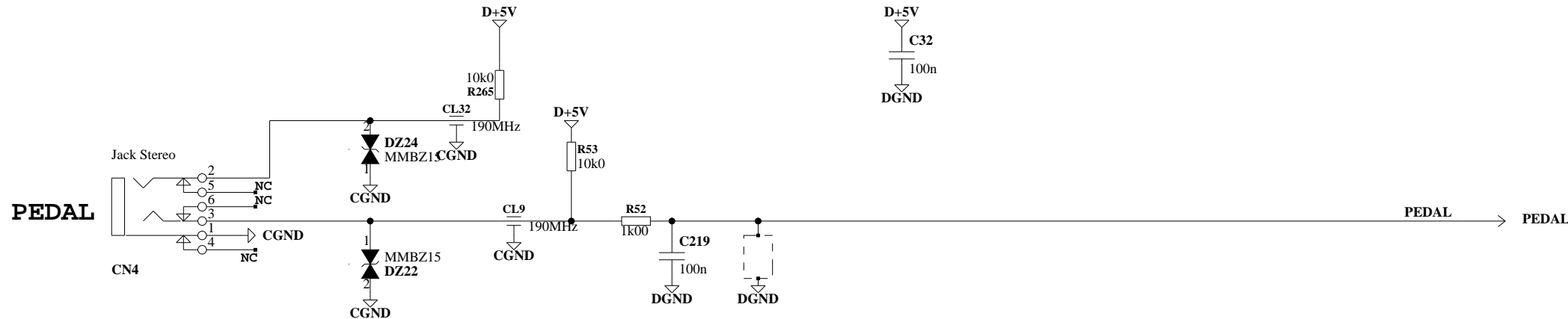
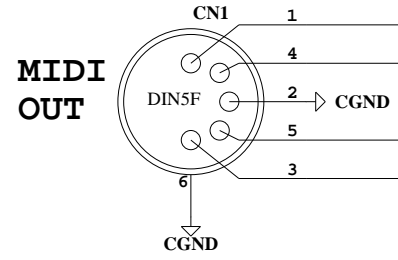
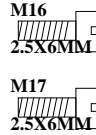
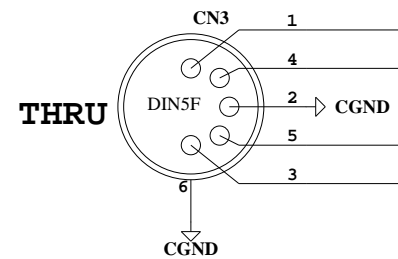
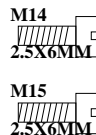
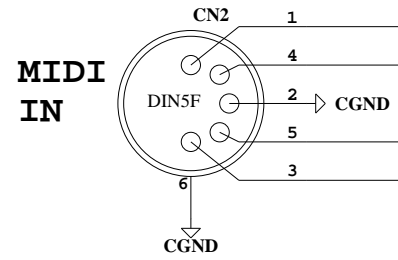
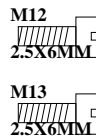
TC Electronic A/S		Designer MAR
Title MAINBOARD DEMAX	Module title P13006-D_P13006-DB	
Number P13006	Revision DBB	Previous page 1
Date 16-2-2009 19:14	Filename	Page / of 1 / 15



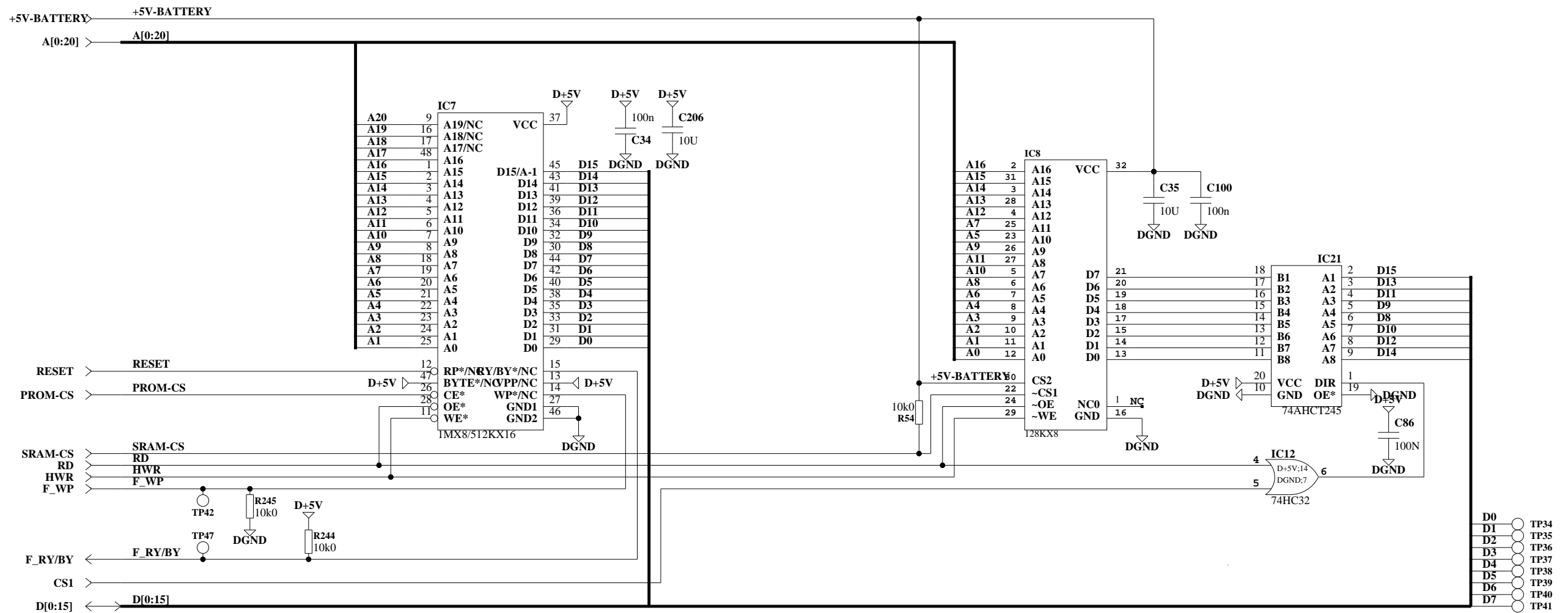
TC Electronic A/S		Designer MAR
Title MAINBOARD DEMAX		Module title P13006_WX2POW_P13006-DB_1
Number P13006	Revision DBB	Previous page 1
Date 16-2-2009 19:14	Filename	Page / of 2 / 15

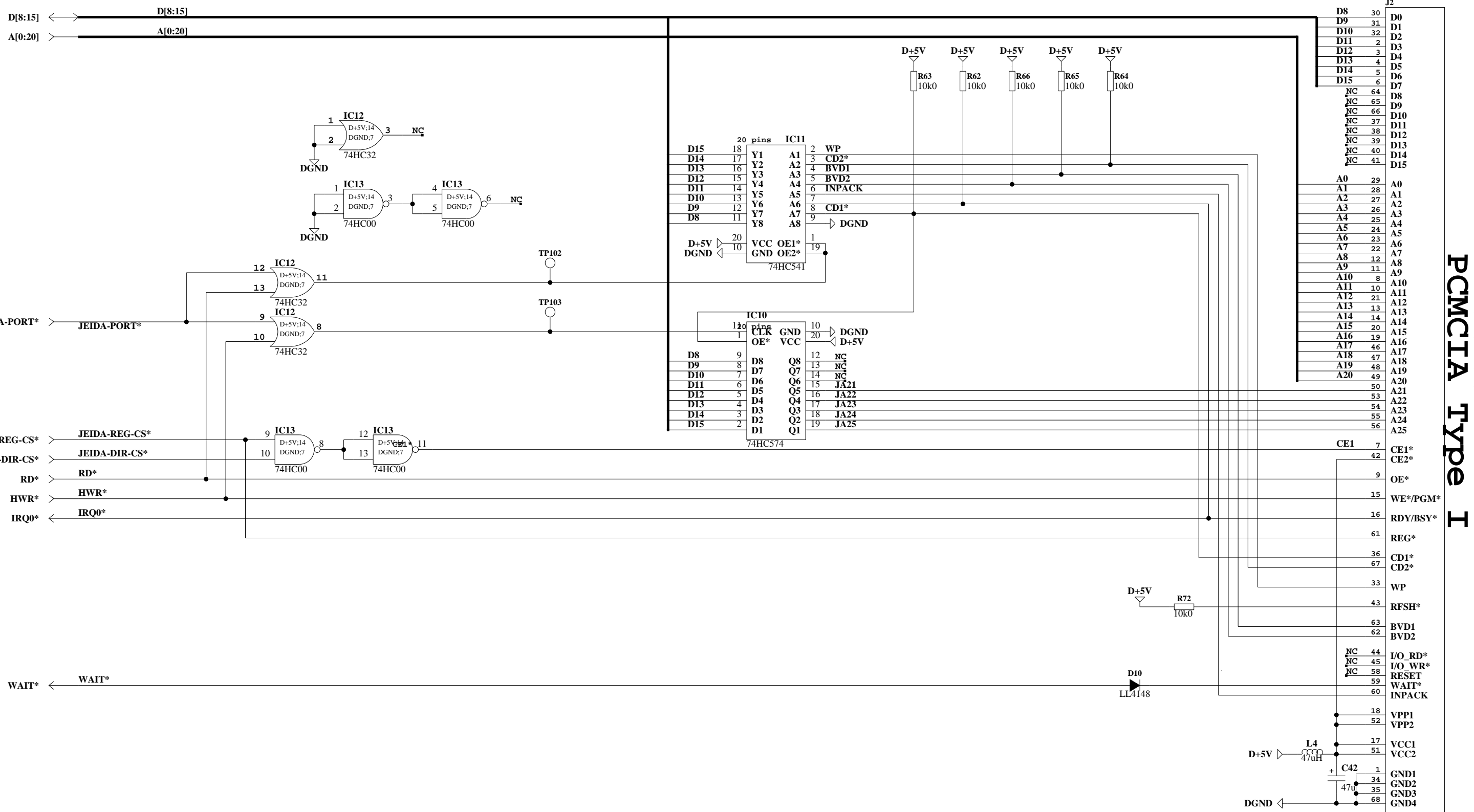


TC Electronic A/S		Designer MAR
Title MAINBOARD DEMAX		Module title P13006_WX2CPU_P13006-DB_1
Number P13006	Revision DBB	Previous page 1
Date 16-2-2009 19:14	Filename	Page / of 3 / 15

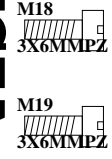


TC Electronic A/S		Designer MAR
Title MAINBOARD WIZARD 2 48KHZ		Module title P13006 WX2INT P13006-DB_1
Number P13006	Revision DAA	Previous page 1
Date 2-16-2009 18:08	Filename	Page / of 4 / 15



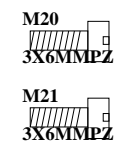
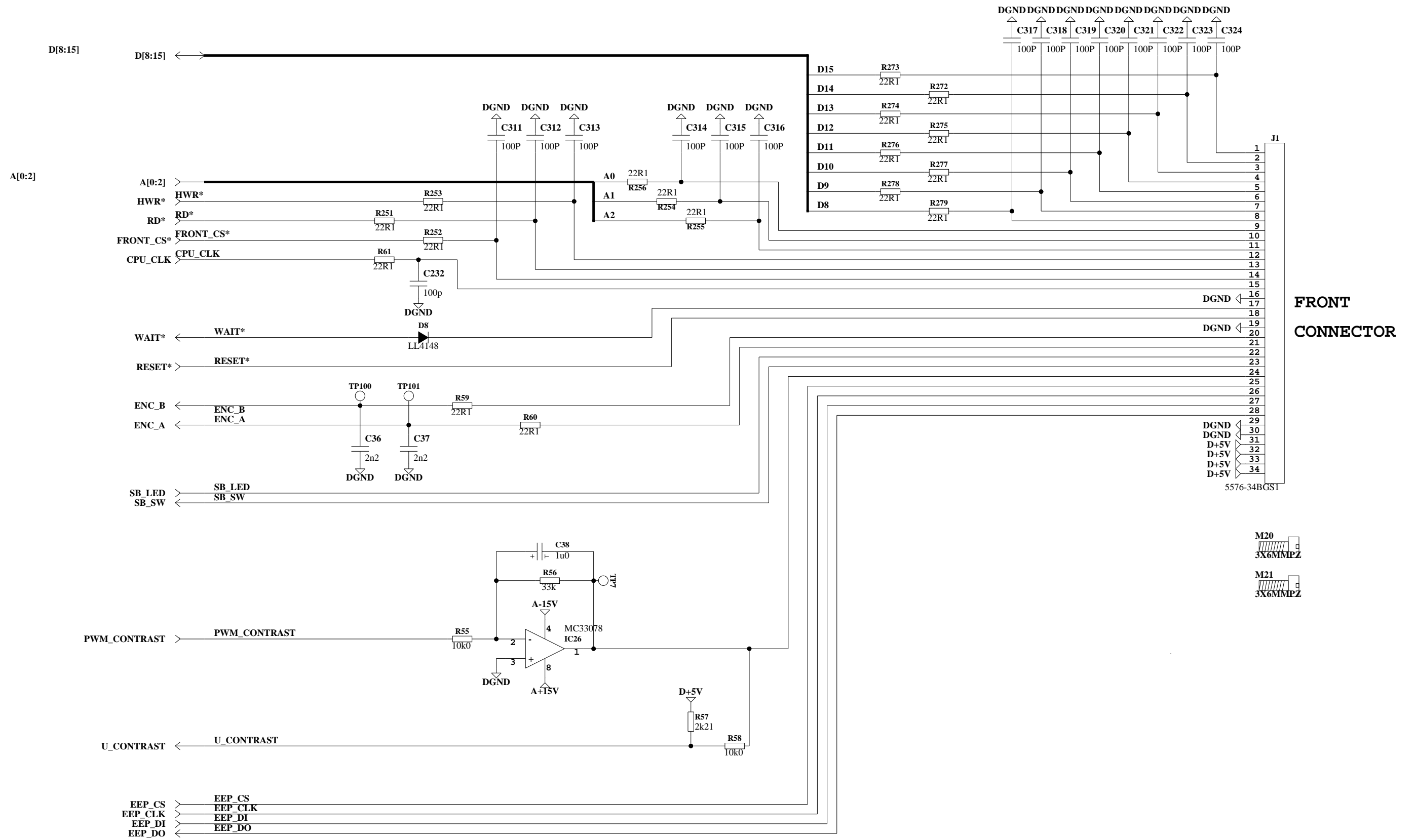


PCMCIA Type I

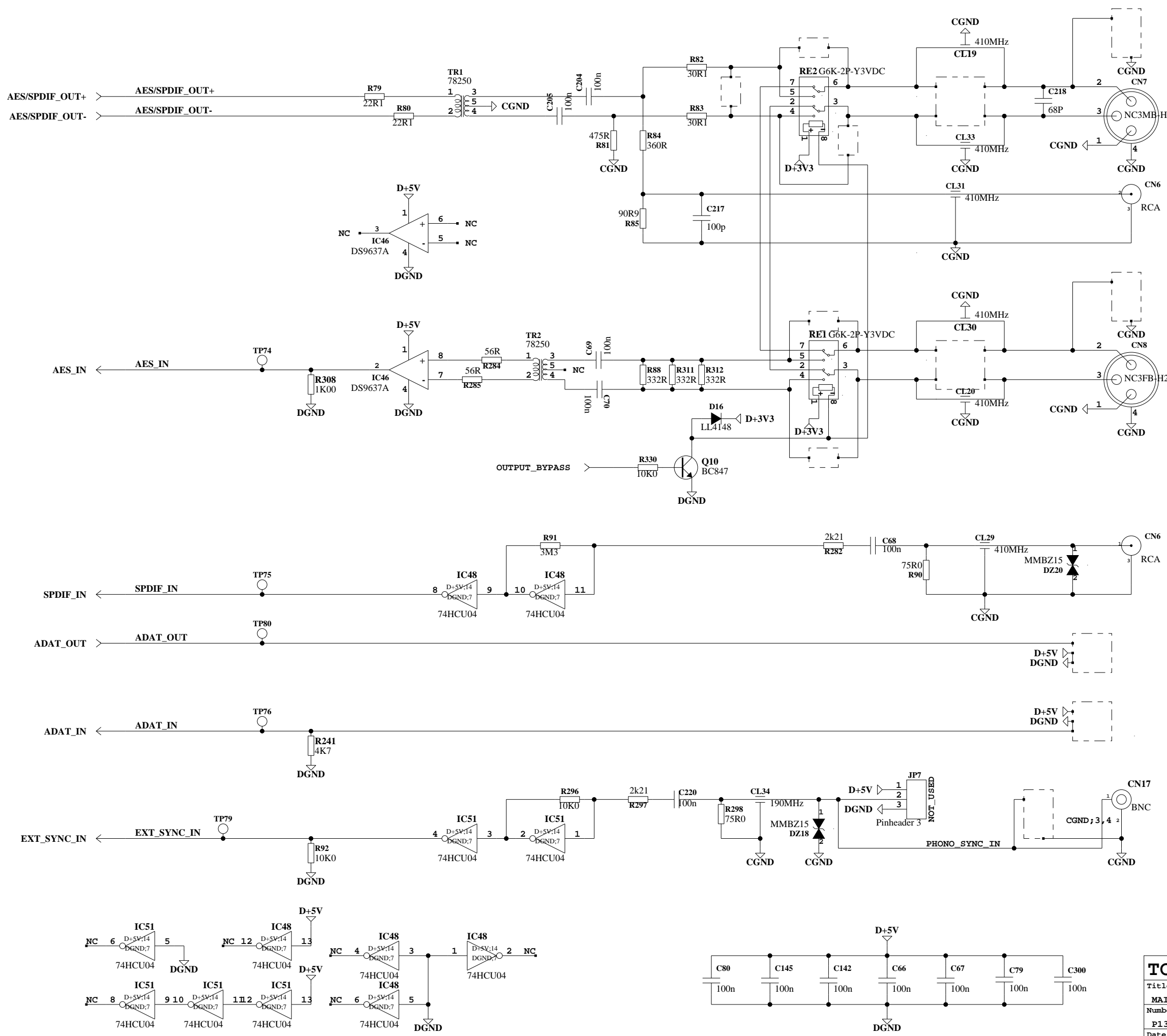


FCN-565P068-G/C-V4

TC Electronic A/S		Designer
NOT USED		MAR
Title	Module title	
MAINBOARD WIZARD 2 48KHZ	P13006 WX2JEI P13006-DB_1	
Number	Revision	Previous page
DRMAX MAIN BOARD P13006	DAA	1
Date	Filename	Page / of
2-16-2009 18:08		6 / 15



TC Electronic A/S		Designer MAR
Title MAINBOARD WIZARD 2 48KHZ	Module title P13006 WX2FNT P13006-DB_1	
Number P13006	Revision DAA	Previous page 1
Date 2-16-2009 18:08	Filename	Page / of 7 / 15



Optional AES3id
BNC OUT

AES/EBU
XLR OUT

S/PDIF
RCA PHONO OUT

Optional AES3id
BNC IN

AES/EBU
XLR IN

S/PDIF
RCA PHONO IN

ADAT
OPTO OUT

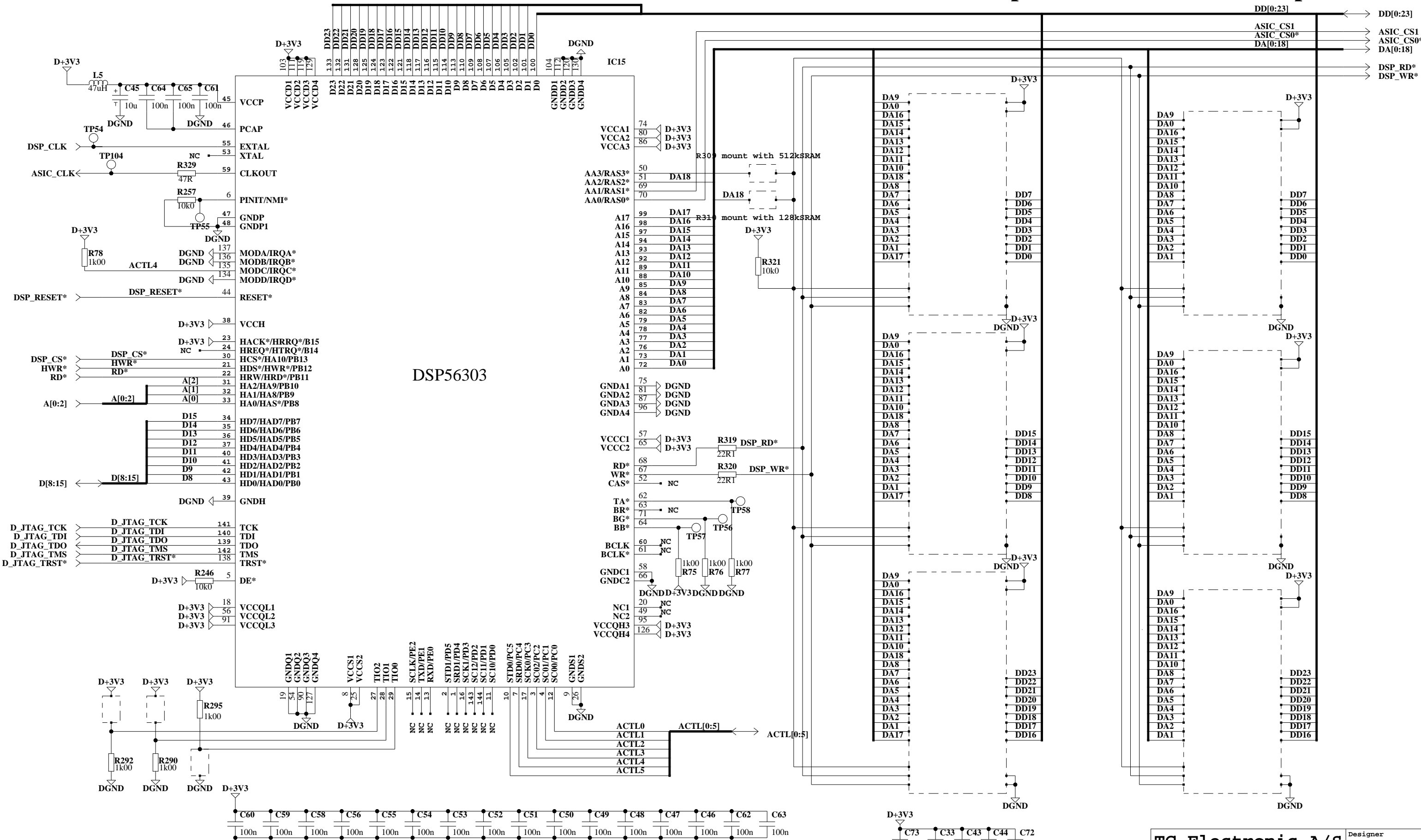
ADAT
OPTO IN

SYNC IN

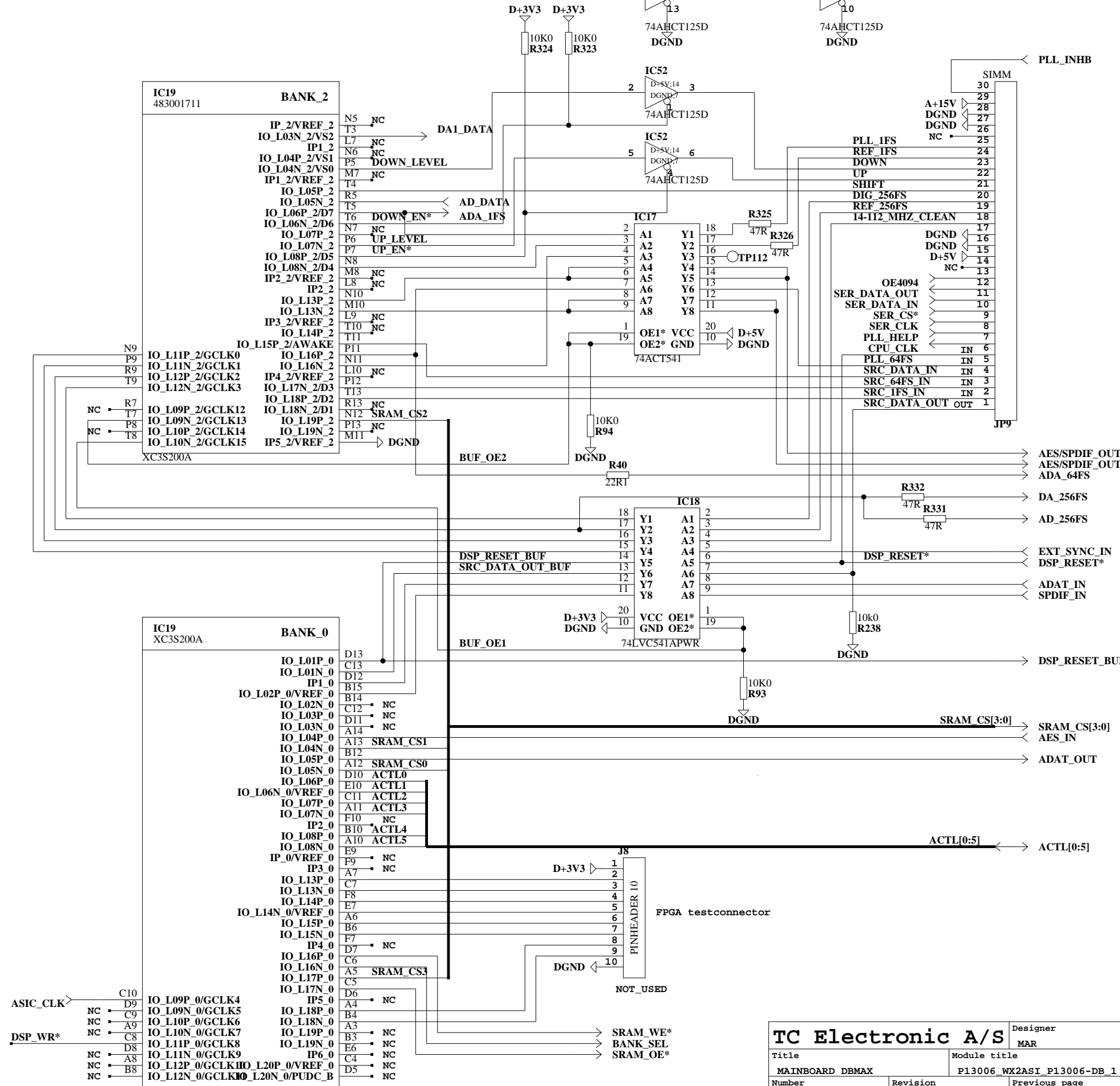
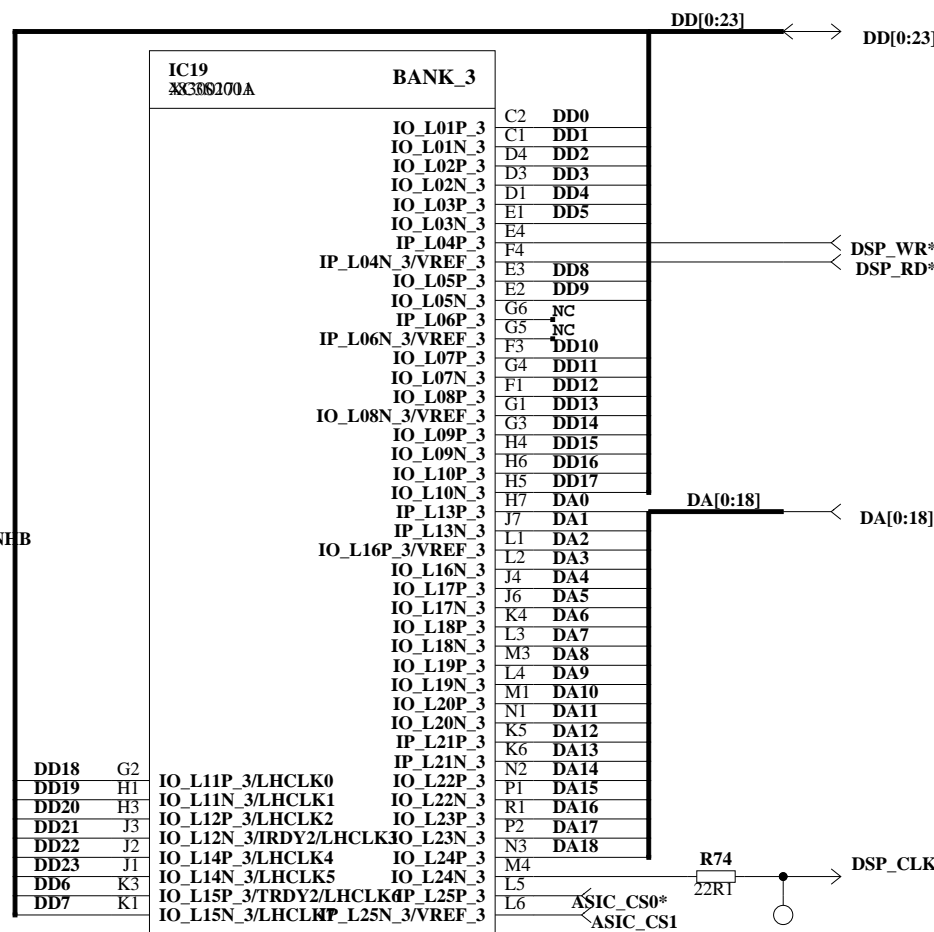
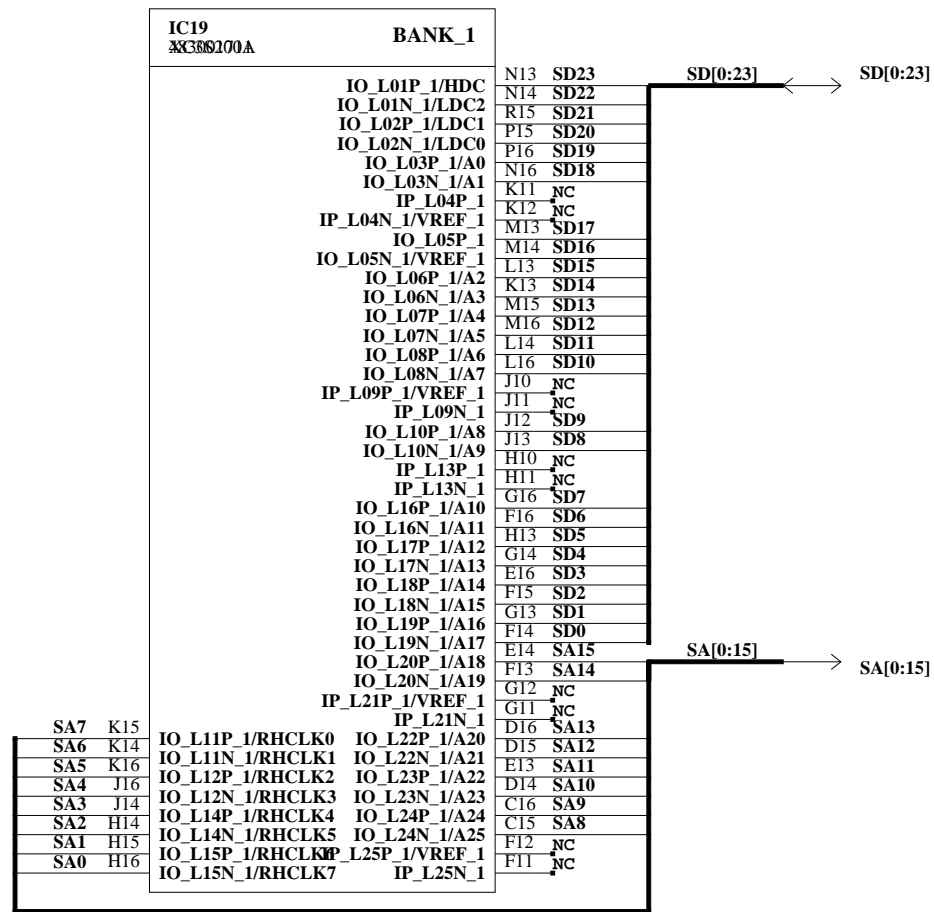
TC Electronic A/S		Designer MAR
Title MAINBOARD DEMAX		Module title P13006_WX2DGI_P13006-DB_1
Number P13006	Revision DBB	Previous page 1
Date 16-2-2009 19:14	Filename	Page / of 8 / 15

512k SRAM option

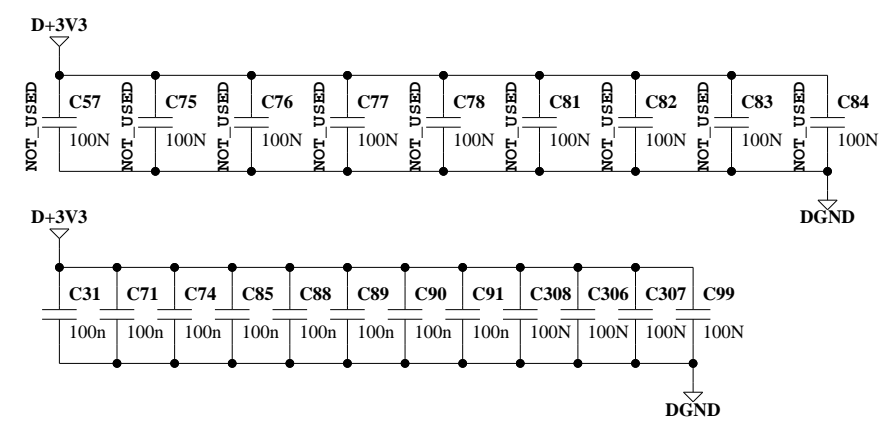
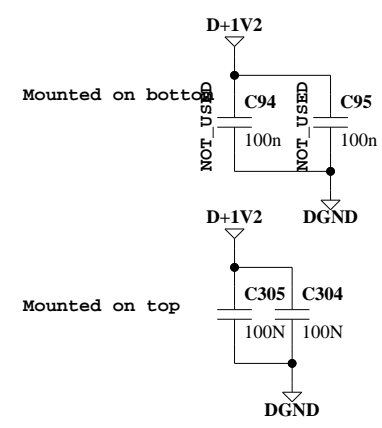
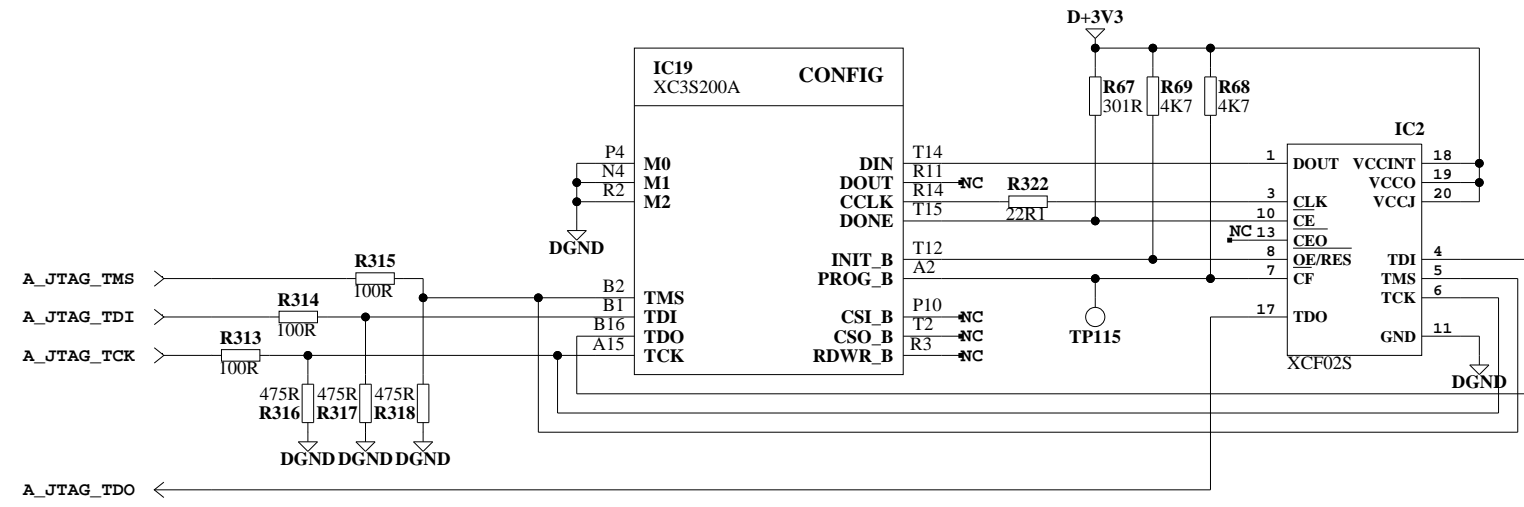
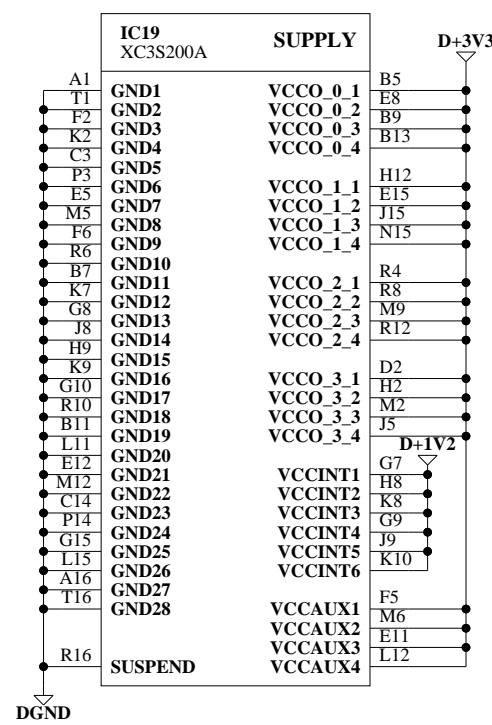
128k SRAM option



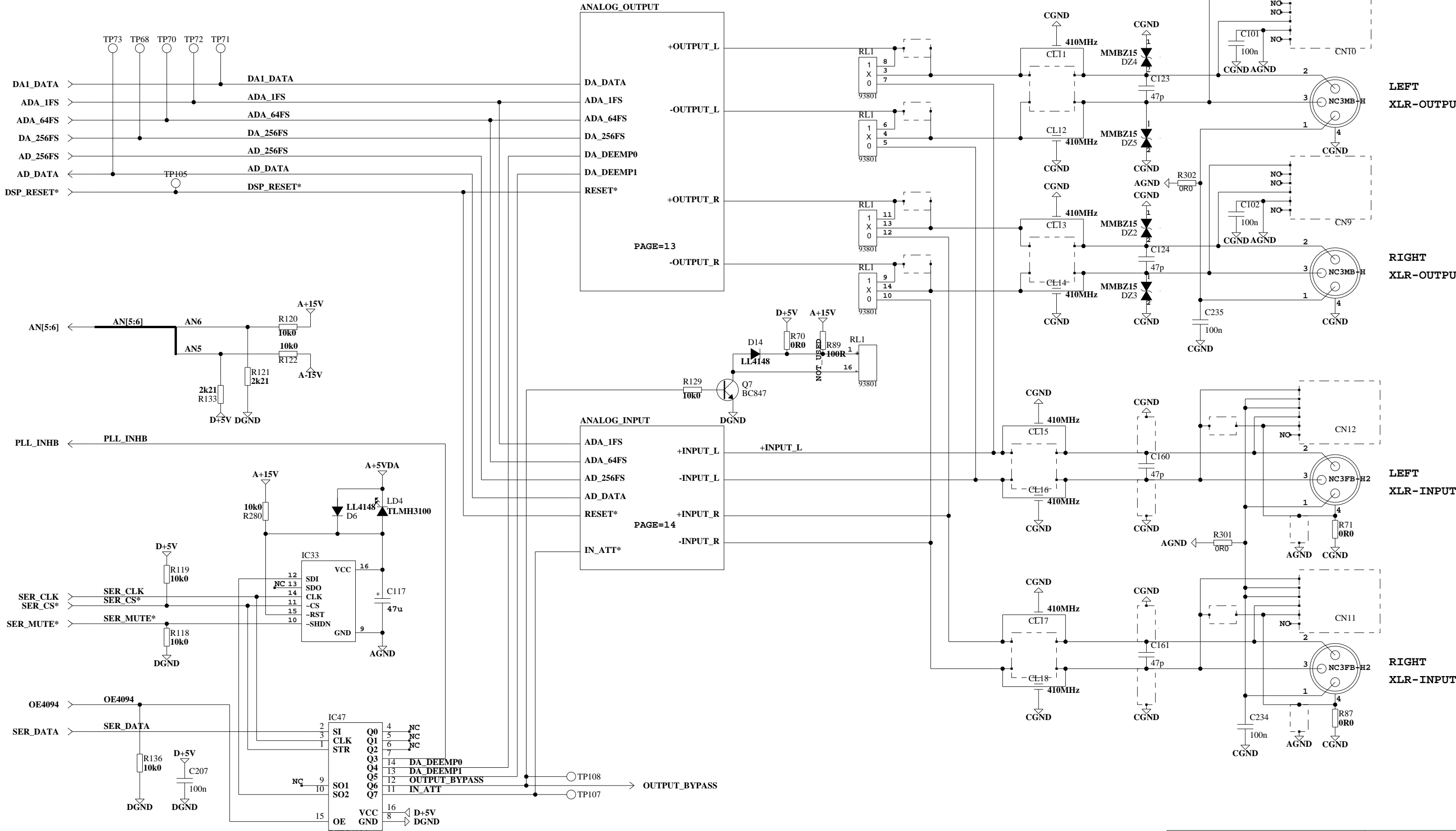
TC Electronic A/S		Designer
MAR		MAR
Title	Module title	
MAINBOARD DEMAX	P13006 WX2DSP P13006-DB_1	
Number	Revision	Previous page
P13006	DBB	1
Date	Filename	Page / of
16-2-2009 19:14		9 / 15



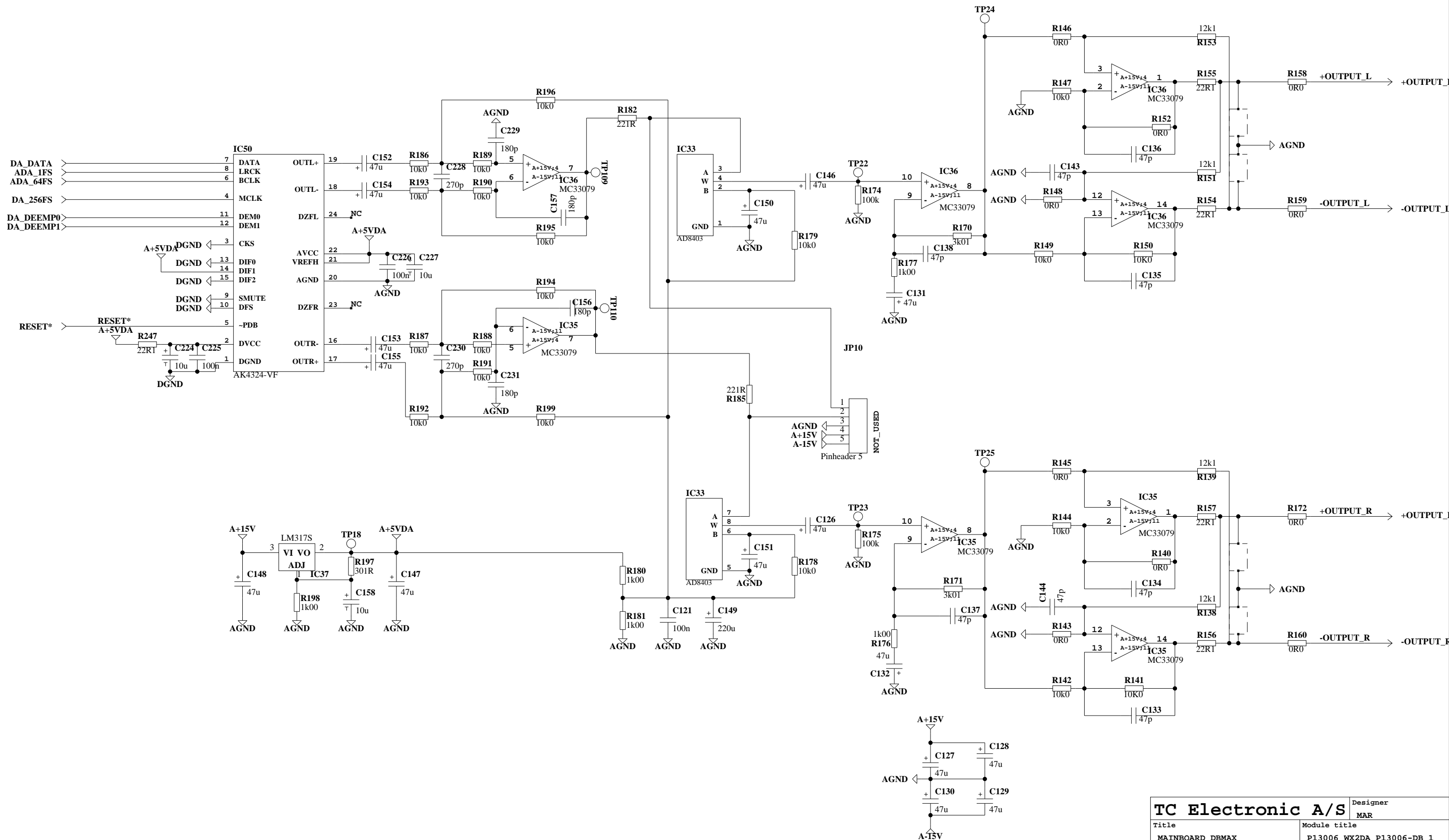
TC Electronic A/S		Designer
Title		MAR
Module title		
MAINBOARD DEMAX	P13006_WX2ASI_P13006-DB_1	
Number	Revision	Previous page
P13006	DBB	1
Date	Filename	Page / of
16-2-2009 19:14		10 / 15



TC Electronic A/S		Designer MAR
Title MAINBOARD DEMAX		Module title P13006 WX2ASI P13006-DB_1
Number P13006	Revision DBB	Previous page 1
Date 16-2-2009 19:14	Filename	Page / of 11 / 15

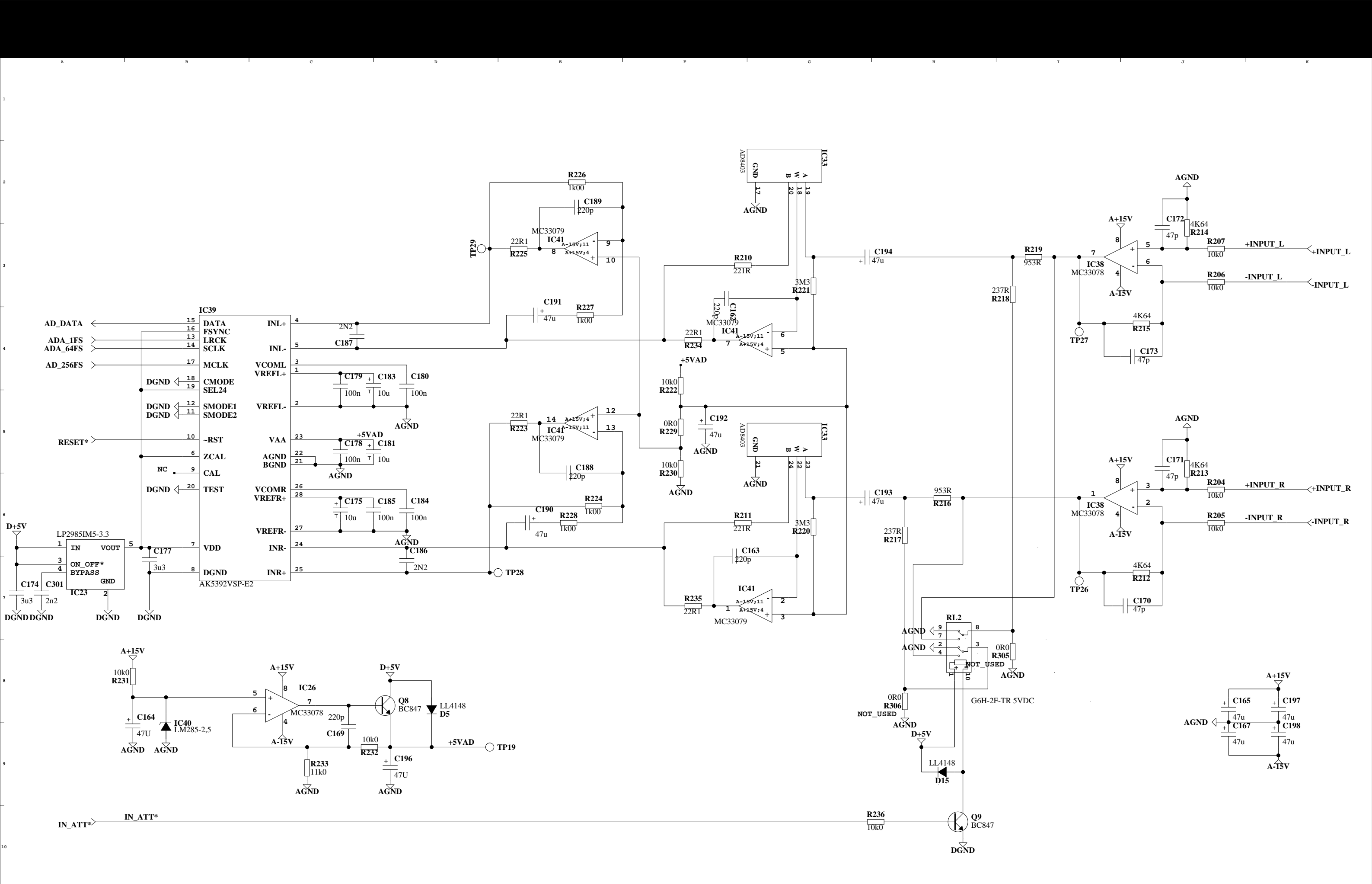


TC Electronic A/S		Designer MAR
Title MAINBOARD DEMAX	Module title P13006 WX2ADA P13006-DB_1	
Number P13006	Revision DBB	Previous page 1
Date 16-2-2009 19:14	Filename	Page / of 12 / 15

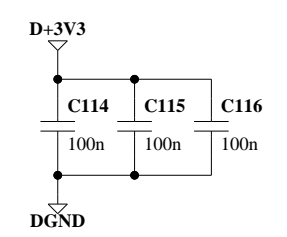
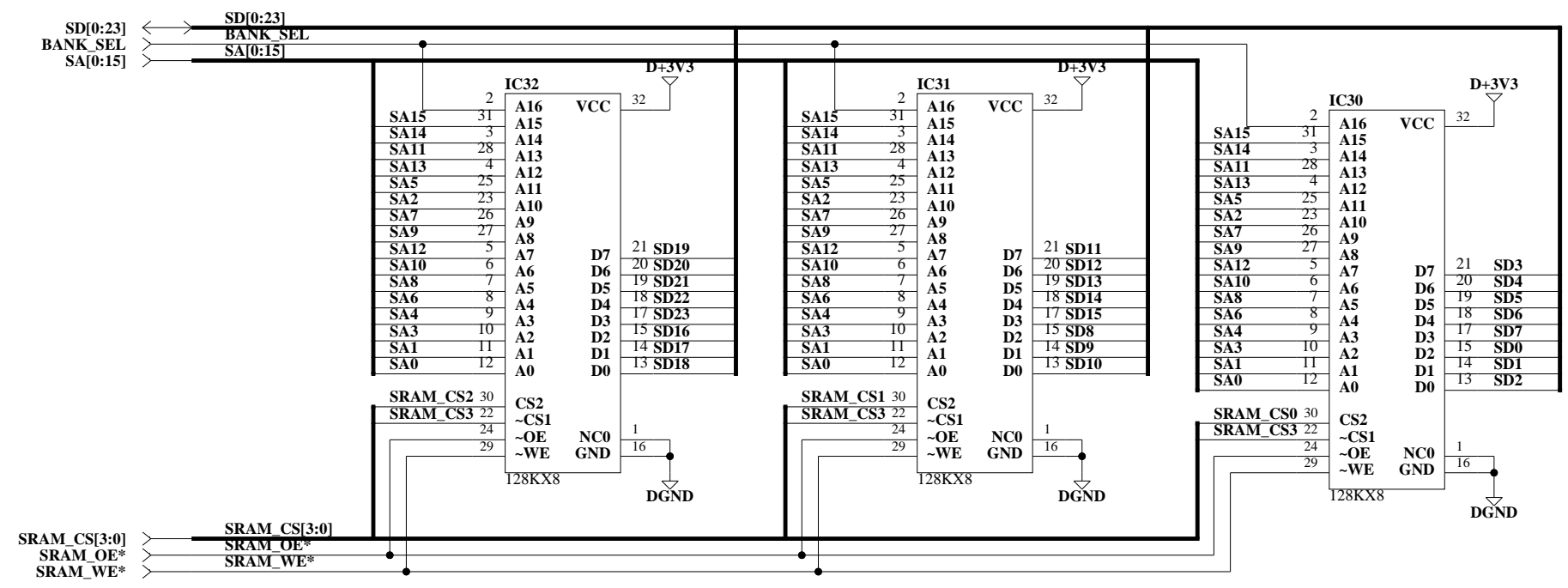


TC Electronic A/S Designer
MAR

Title		Module title	
MAINBOARD DEMAX		P13006_WX2DA_P13006-DB_1	
Number	Revision	Previous page	
P13006	DBB	1	
Date	Filename	Page / of	
16-2-2009 19:14		13 / 15	



TC Electronic A/S		Designer MAR
Title MAINBOARD DEMAX		Module title P13006_WX2AD_P13006-DB_1
Number P13006	Revision DBB	Previous page 1
Date 16-2-2009 19:14	Filename	Page / of 14 / 15



TC Electronic A/S		Designer MAR
Title MAINBOARD DEMAX		Module title P13006 WX2DSM P13006-DB_1
Number P13006	Revision DBB	Previous page 1
Date 16-2-2009 19:14	Filename	Page / of 15 / 15