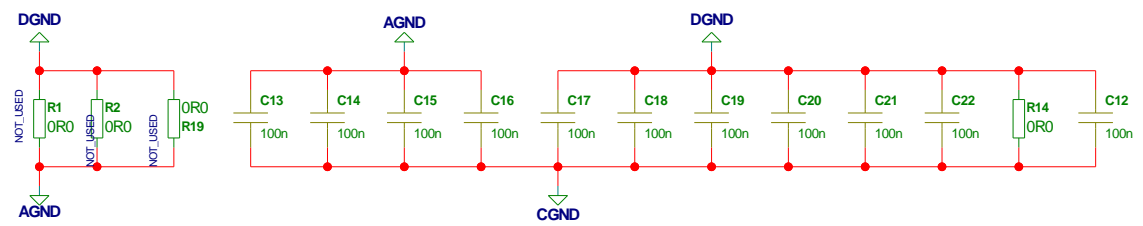
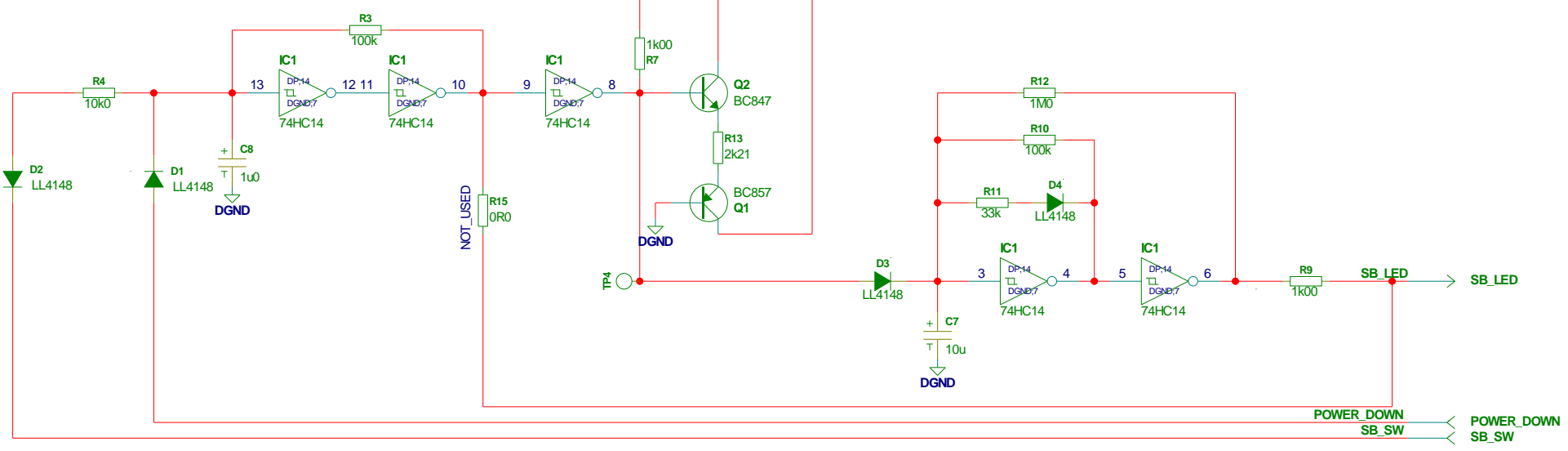
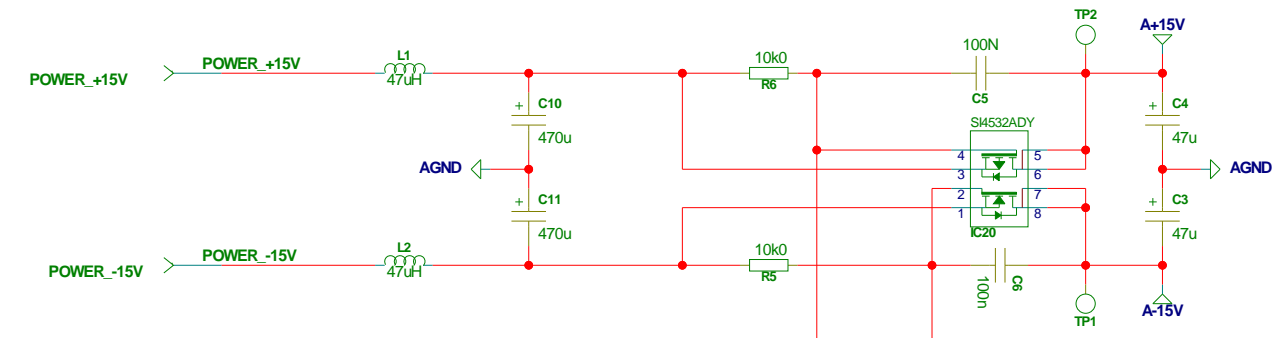
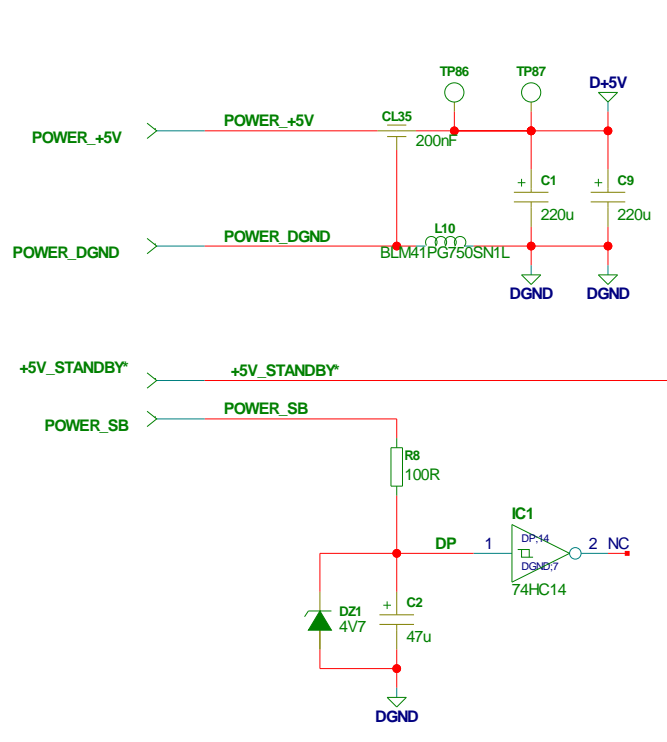
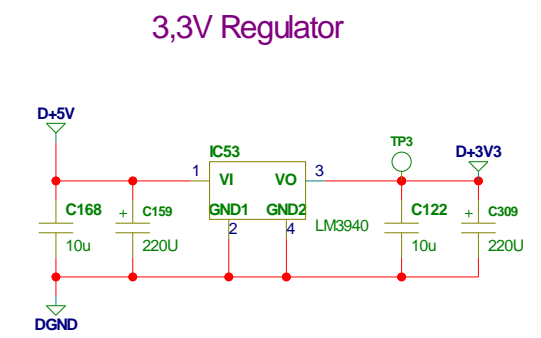
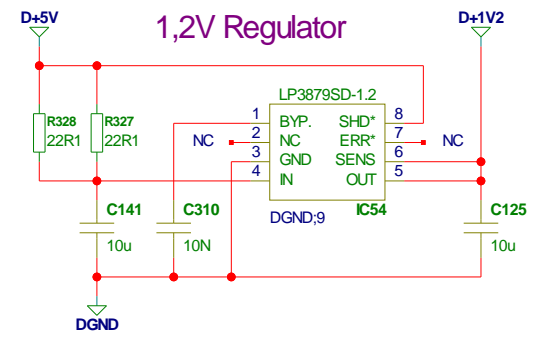
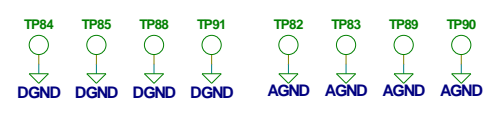
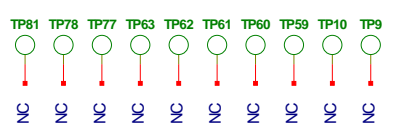


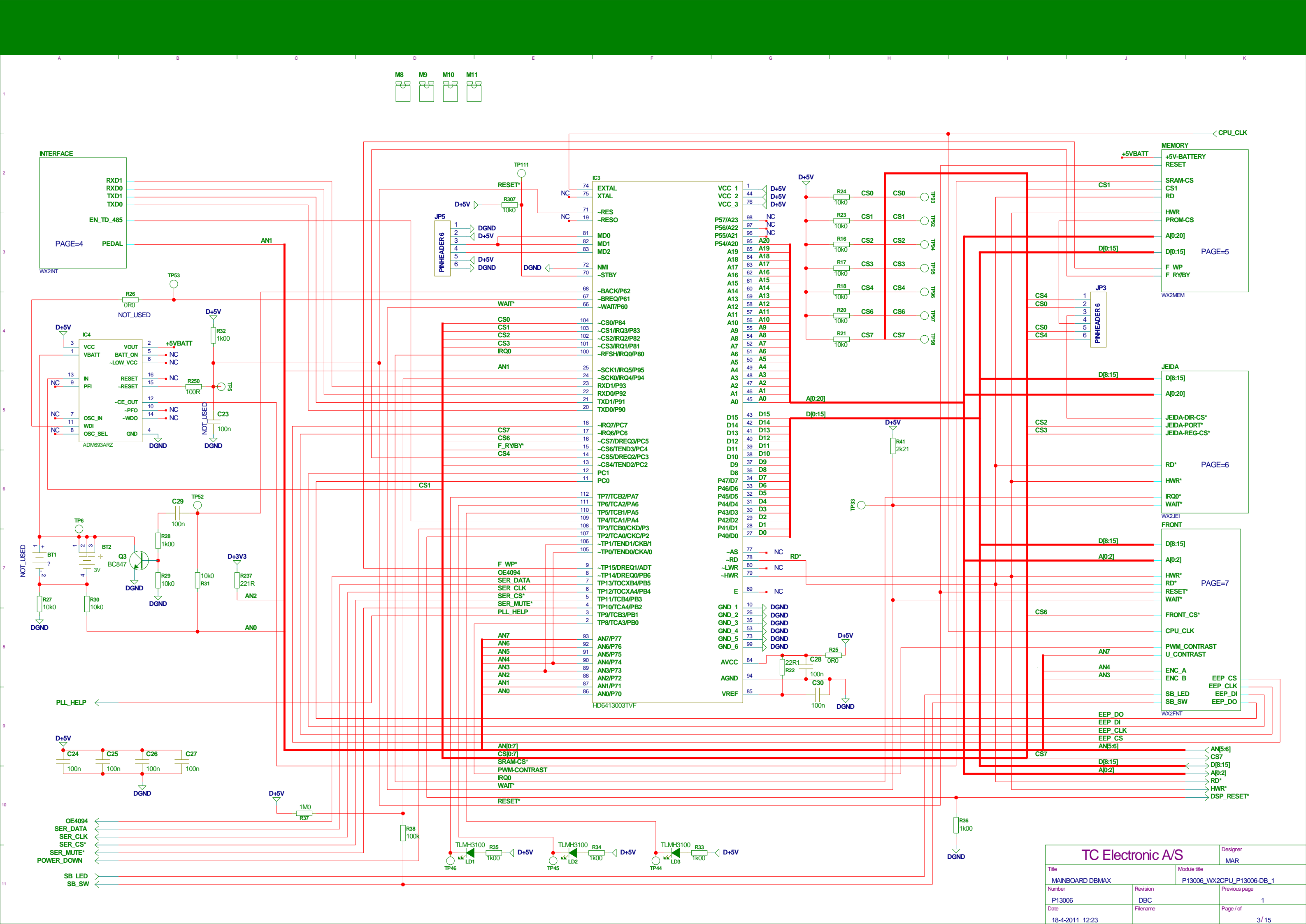
TC Electronic A/S		Designer MAR
Title MAINBOARD DBMAX		Module title P13006-D_P13006-DB
Number P13006	Revision DBC	Previous page 1
Date 18-4-2011_12:27	Filename	Page / of 1 / 15



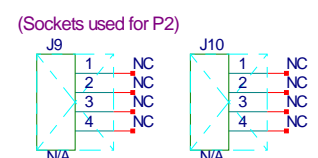
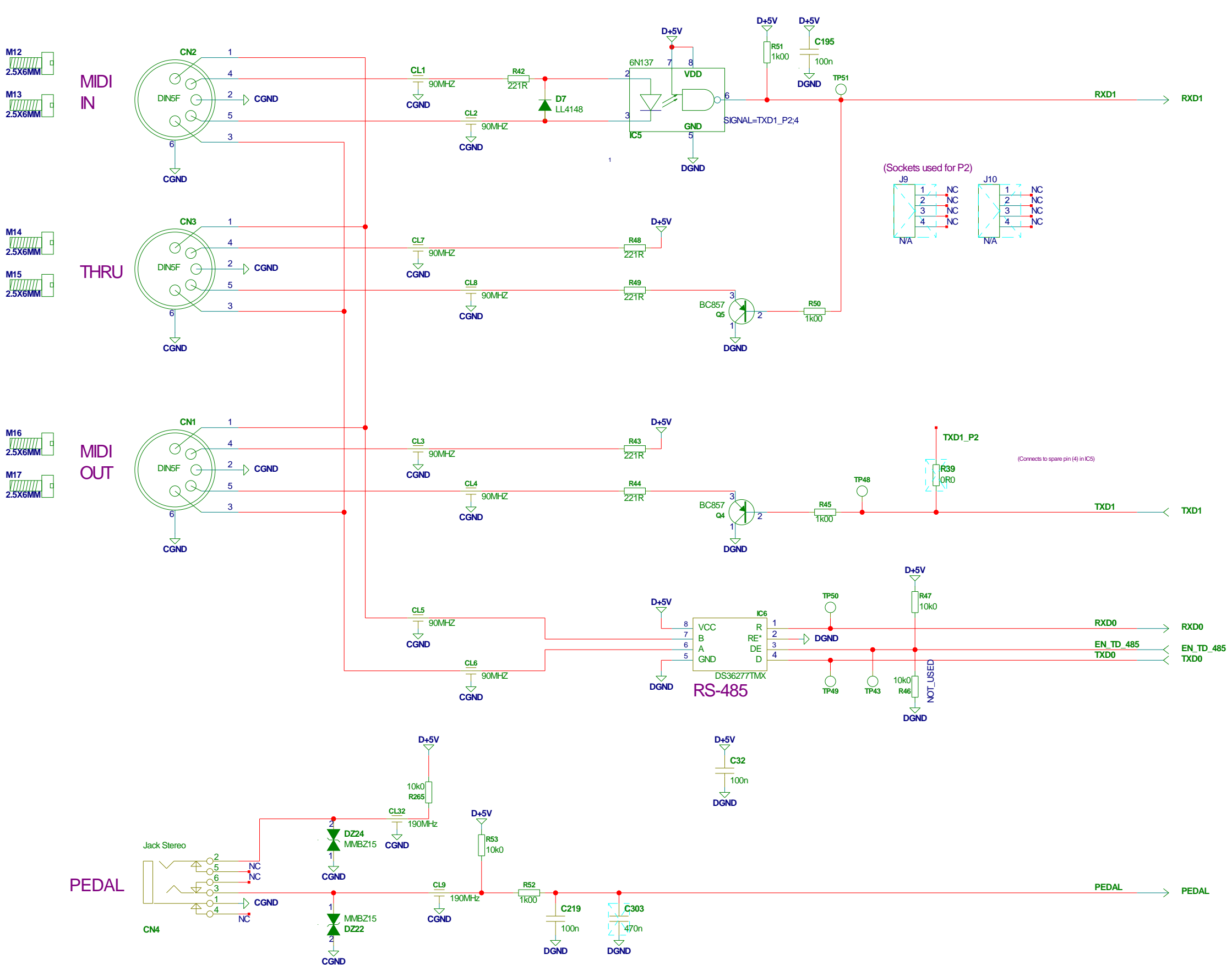
Unused Testpoints



TC Electronic A/S		Designer MAR
Title MAINBOARD DBMAX	Module title P13006_WX2POW_P13006-DB_1	
Number P13006	Revision DBC	Previous page 1
Date 18-4-2011_12:21	Filename P13006_WX2POW_P13006-DB_1	Page / of 2 / 15



TC Electronic A/S		Designer	
Title		MAR	
MAINBOARD DBMAX		Module title	
P13006		P13006_WX2CPU_P13006-DB_1	
Number	Revision	Previous page	
18-4-2011_12:23	DBC	1	
Date	Filename	Page / of	
		3 / 15	



(Connects to spare pin (4) in IC5)

MIDI IN

THRU

MIDI OUT

PEDAL

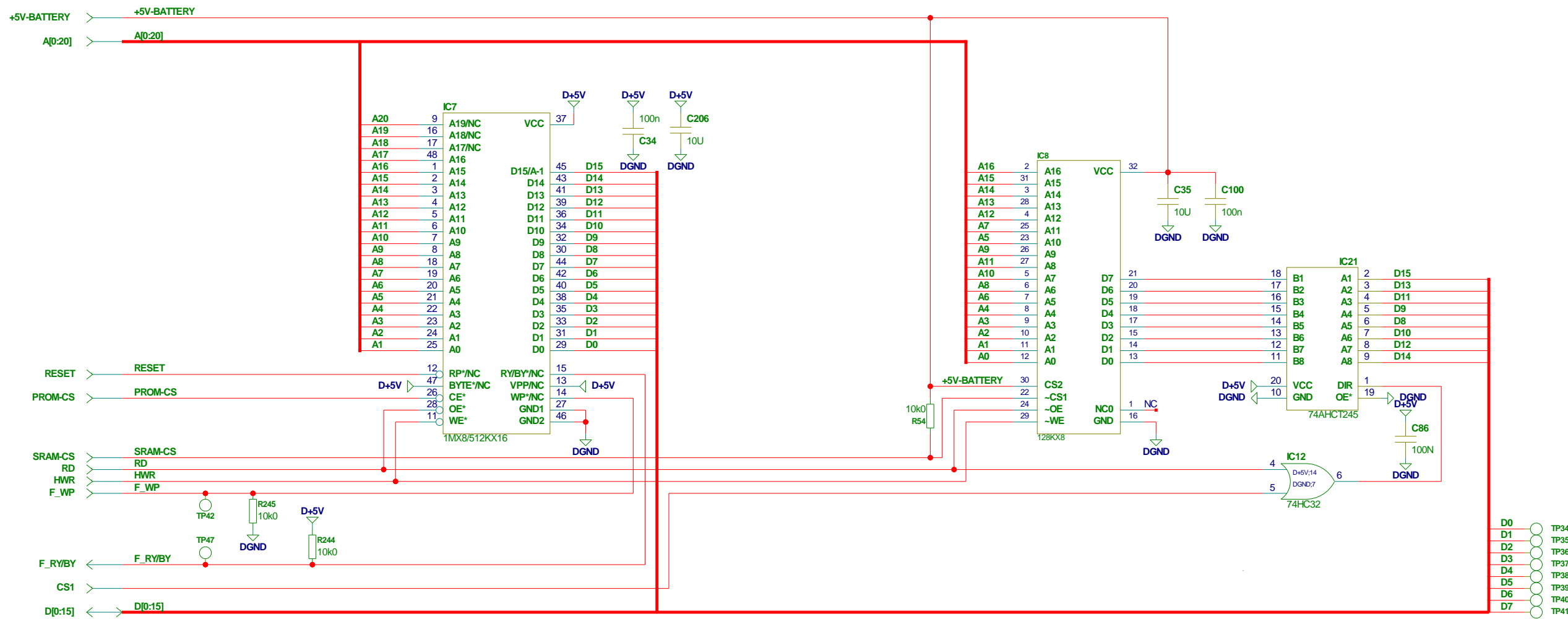
TC Electronic A/S

Title: MAINBOARD DBMAX
 Module title: P13006_WX2INT_P13006-DB_1

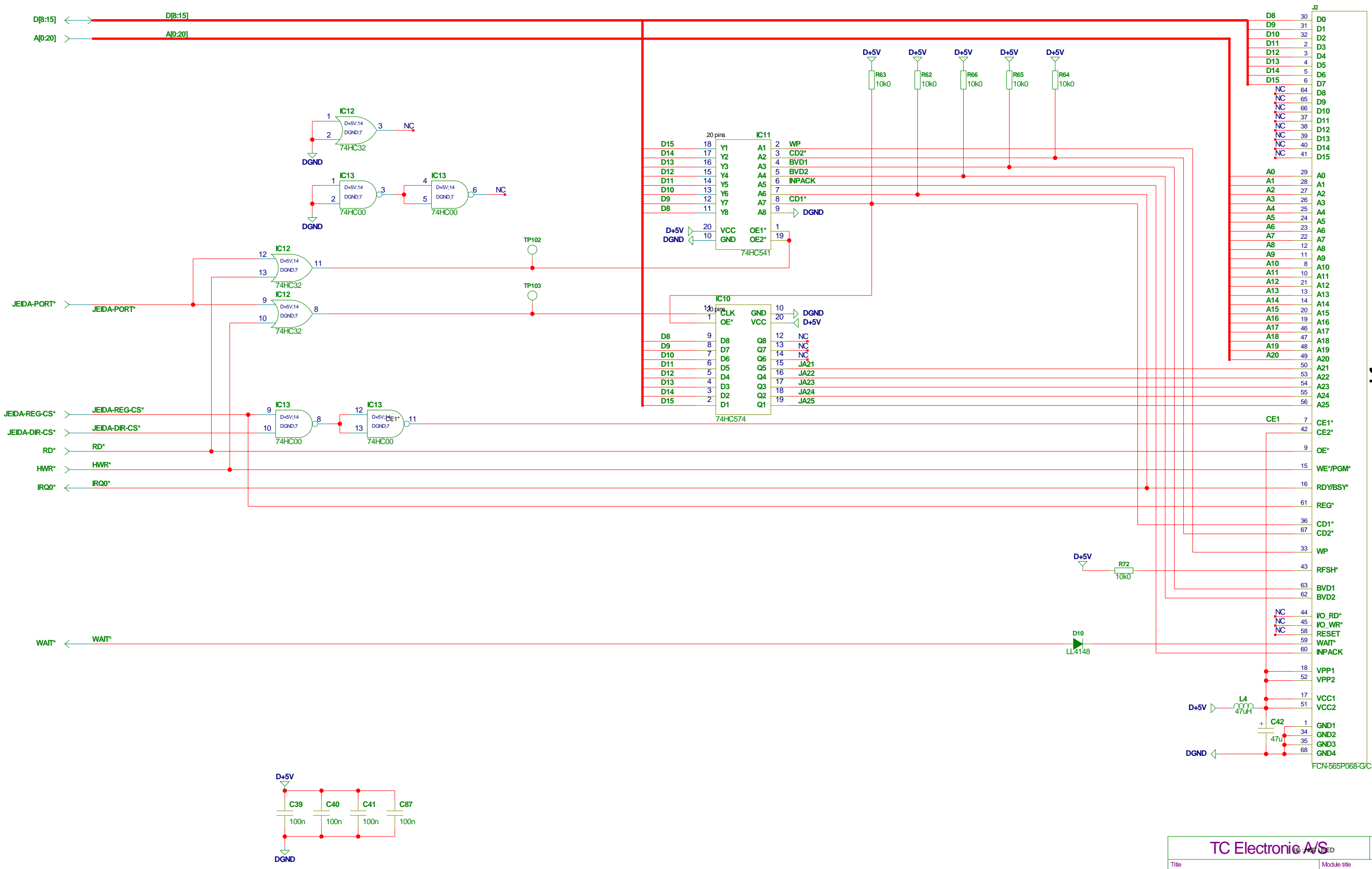
Number: P13006
 Revision: DBC
 Previous page: 3

Date: 18-4-2011_12:23
 Filename:
 Page / of: 4 / 15

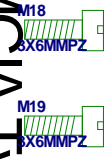
Designer: MAR



- D0 TP34
- D1 TP35
- D2 TP36
- D3 TP37
- D4 TP38
- D5 TP39
- D6 TP40
- D7 TP41

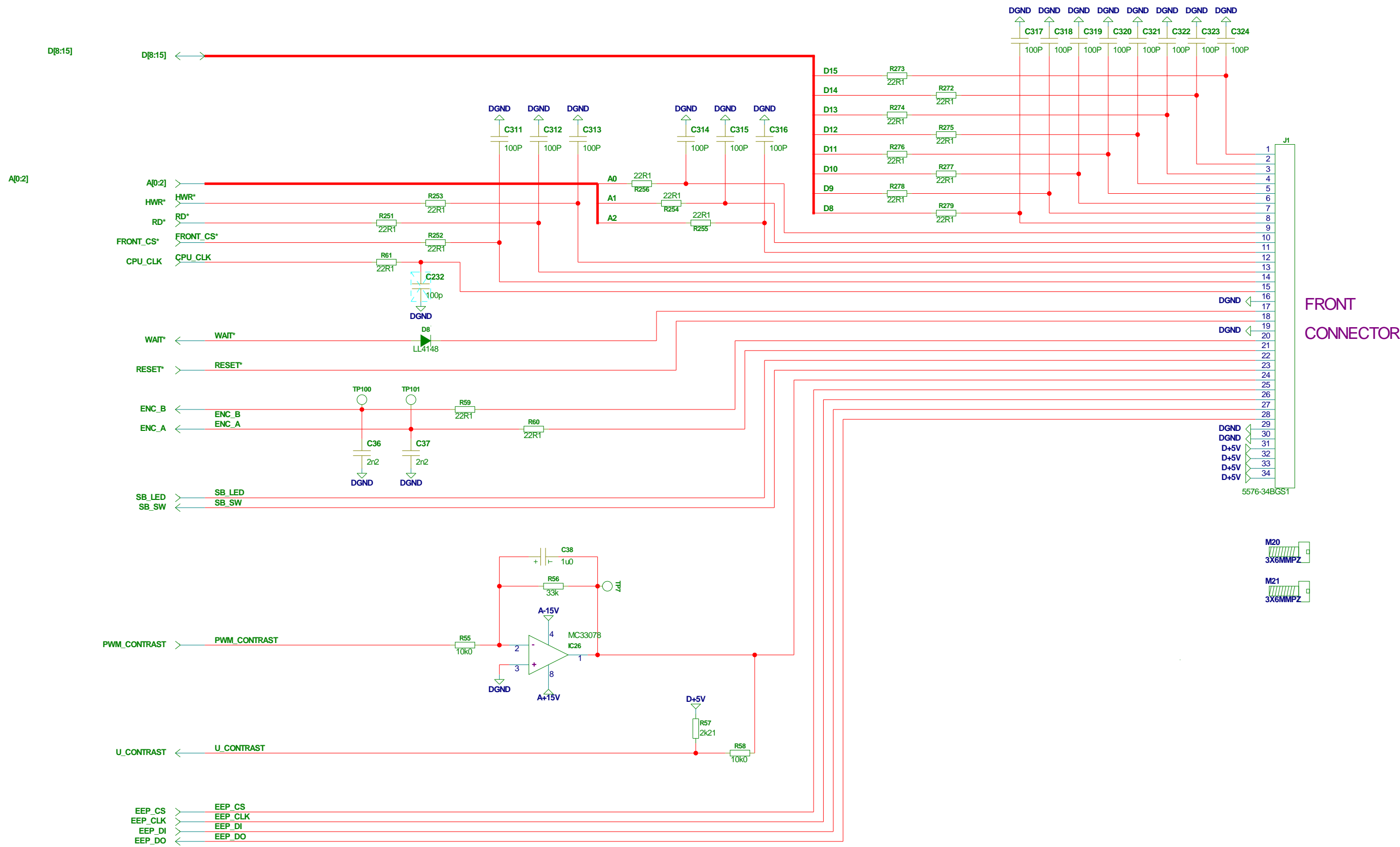


PCMCIA Type I

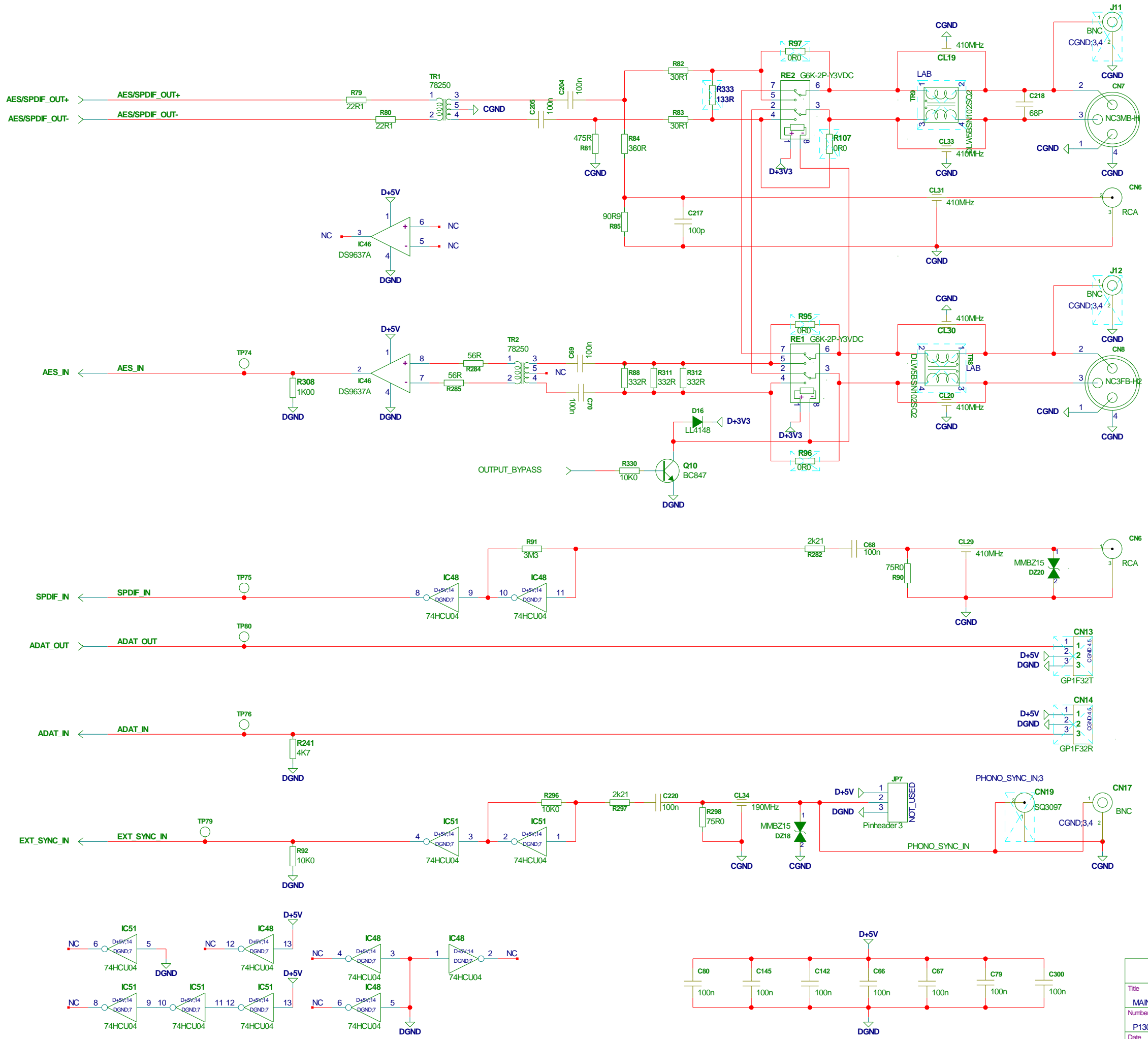


FCN-565P068-GC-V4

TC Electronic AS		Designer MAR
Title MAINBOARD DBMAX		Module title P13006_WX2JEL_P13006-DB_1
Number "DBMAX MAIN BOARD" P13006	Revision DBC	Previous page 3
Date 18-4-2011_12:27	Filename	Page / of 6 / 15



TC Electronic A/S		Designer MAR
Title MAINBOARD DBMAX		Module title P13006_WX2FNT_P13006-DB_1
Number P13006	Revision DBC	Previous page 3
Date 18-4-2011_12:24	Filename	Page / of 7 / 15



Optional AES3id
BNC OUT

AES/EBU
XLR OUT

S/PDIF
RCA PHONO OUT

Optional AES3id
BNC IN

AES/EBU
XLR IN

S/PDIF
RCA PHONO IN

ADAT
OPTO OUT

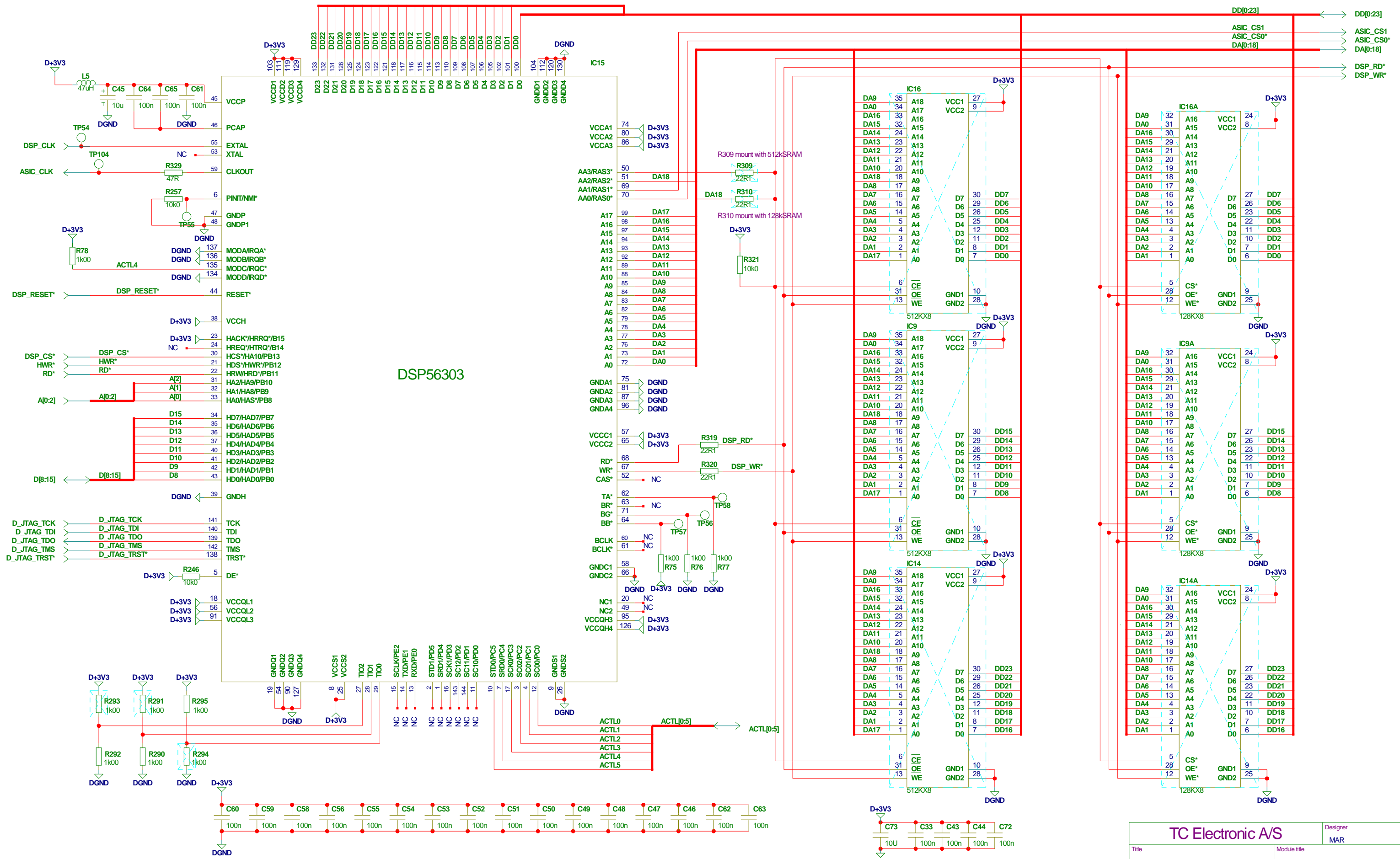
ADAT
OPTO IN

SYNC IN

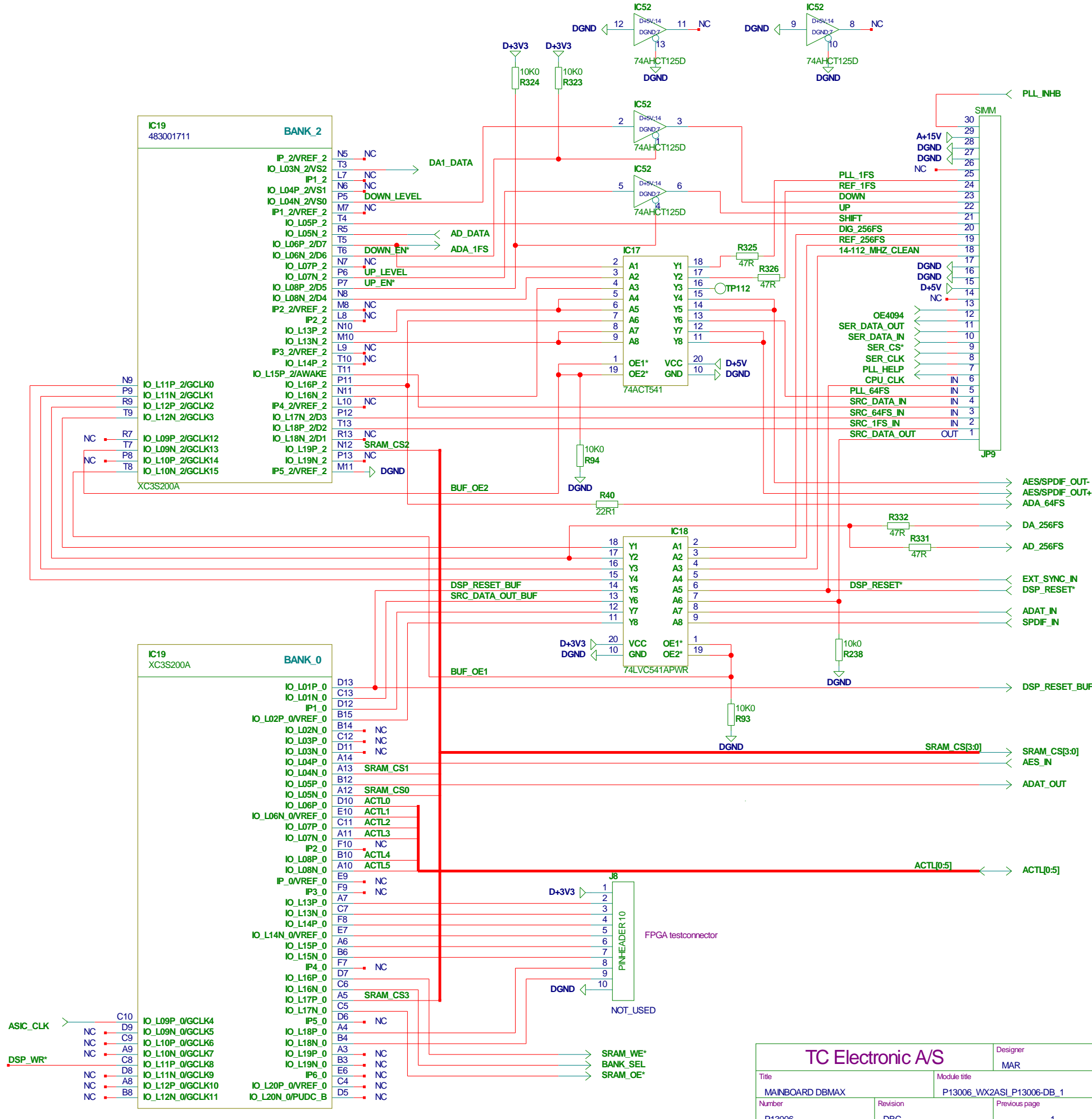
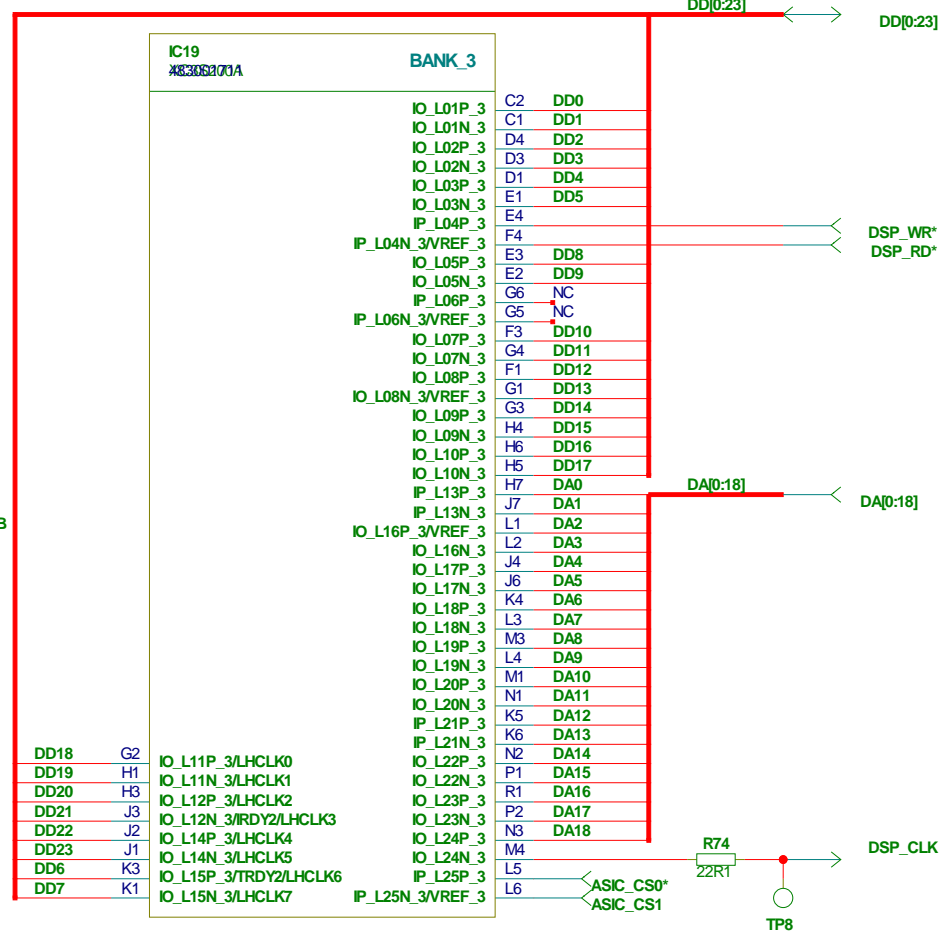
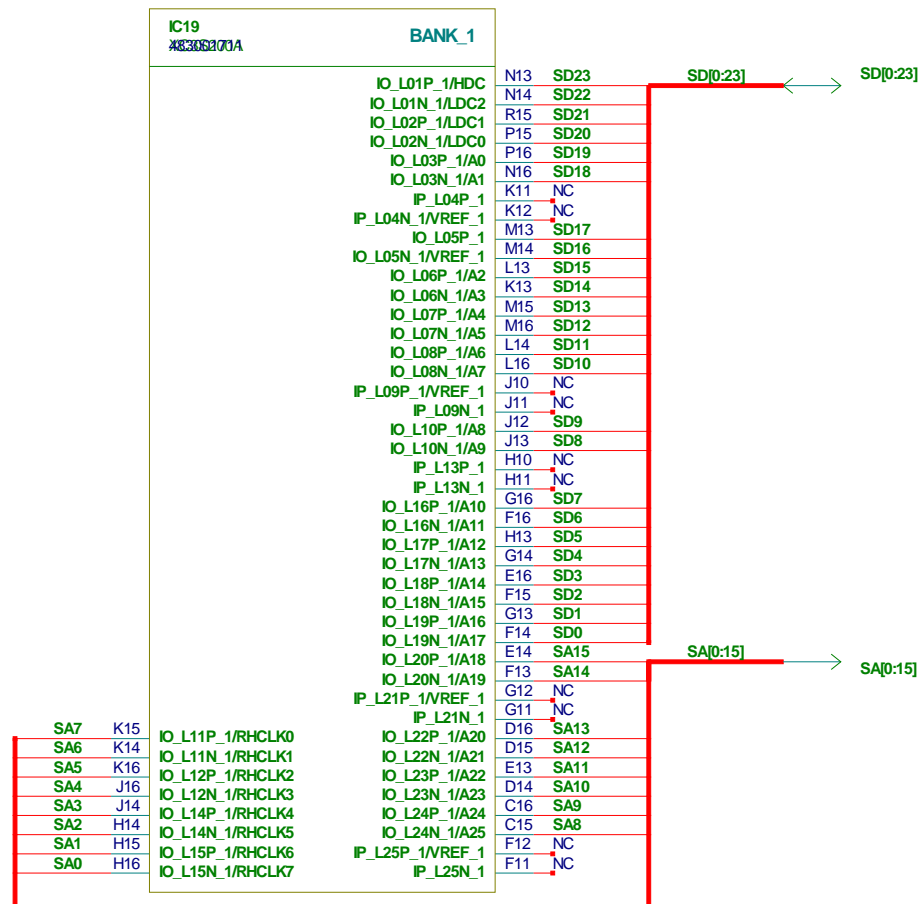
TC Electronic A/S		Designer MAR
Title MAINBOARD DBMAX		Module title P13006_WX2DGL_P13006-DB_1
Number P13006	Revision DBC	Previous page 1
Date 18-4-2011_12:25	Filename	Page / of 8 / 15

512k SRAM option

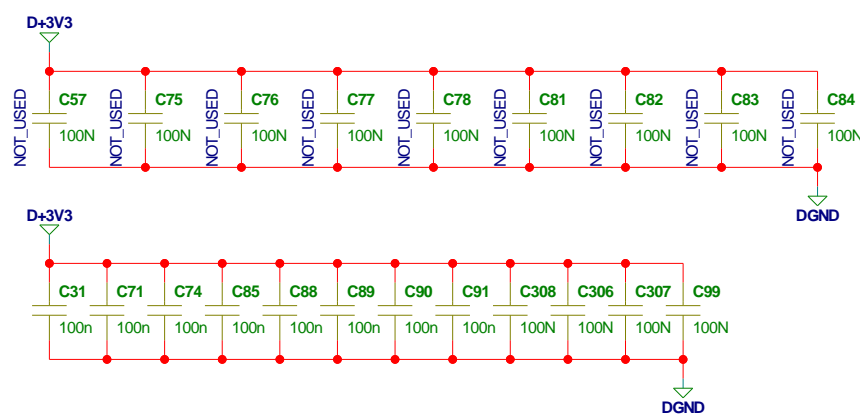
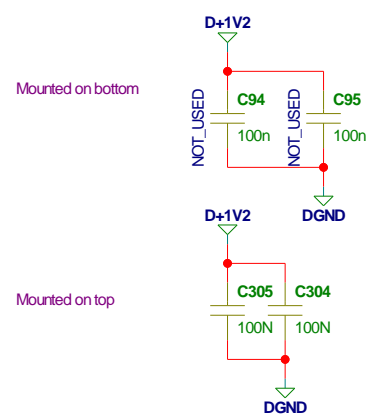
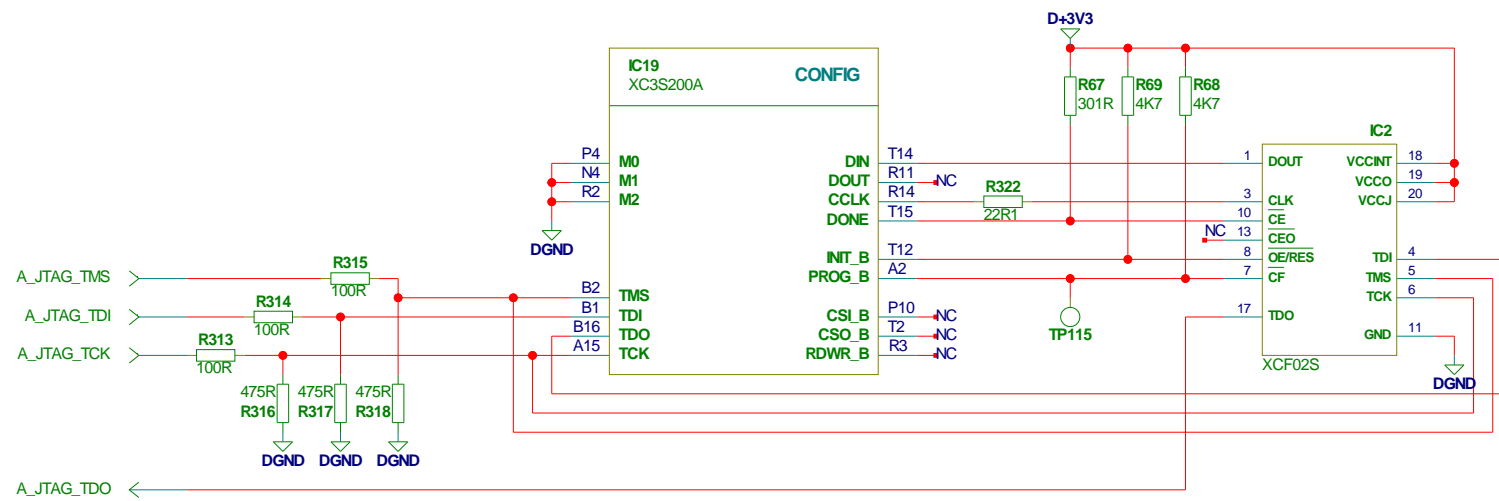
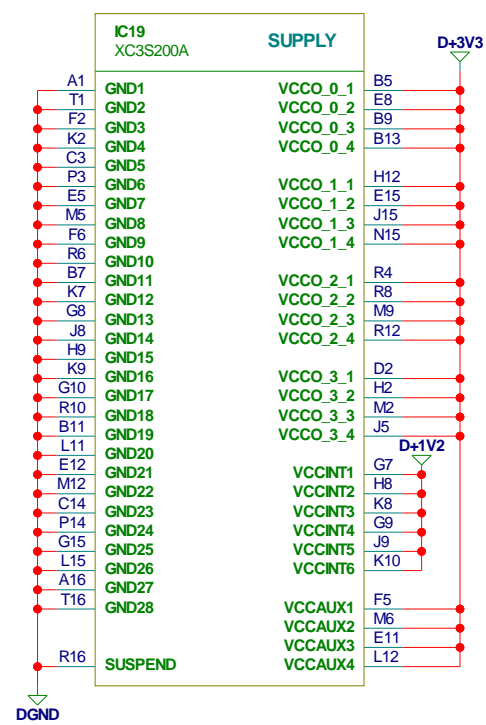
128k SRAM option



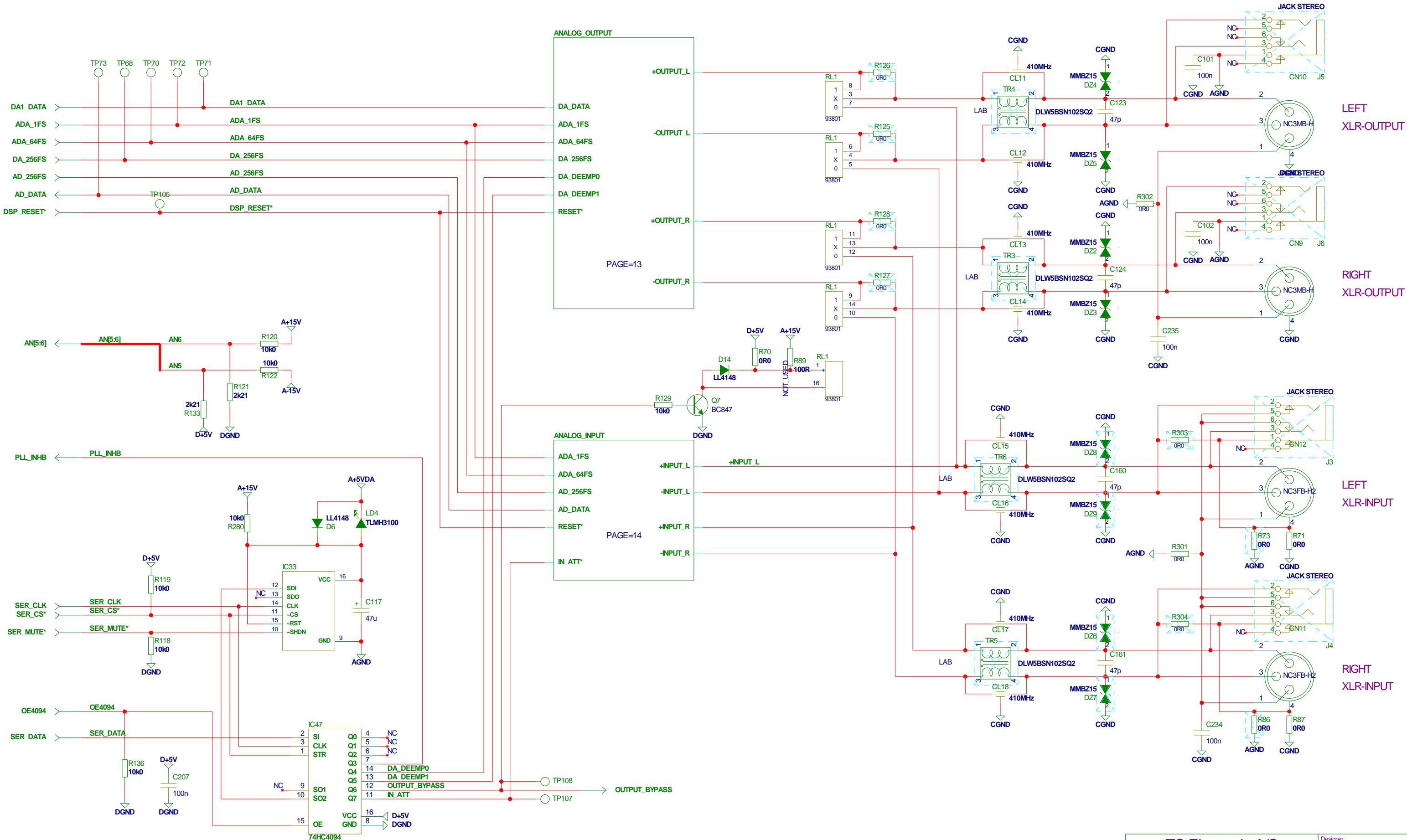
TC Electronic A/S		Designer
		MAR
Title	Module title	
MAINBOARD DBMAX	P13006_WX2DSP_P13006-DB_1	
Number	Revision	Previous page
P13006	DBC	1
Date	Filename	Page / of
18-4-2011_12:25		9 / 15



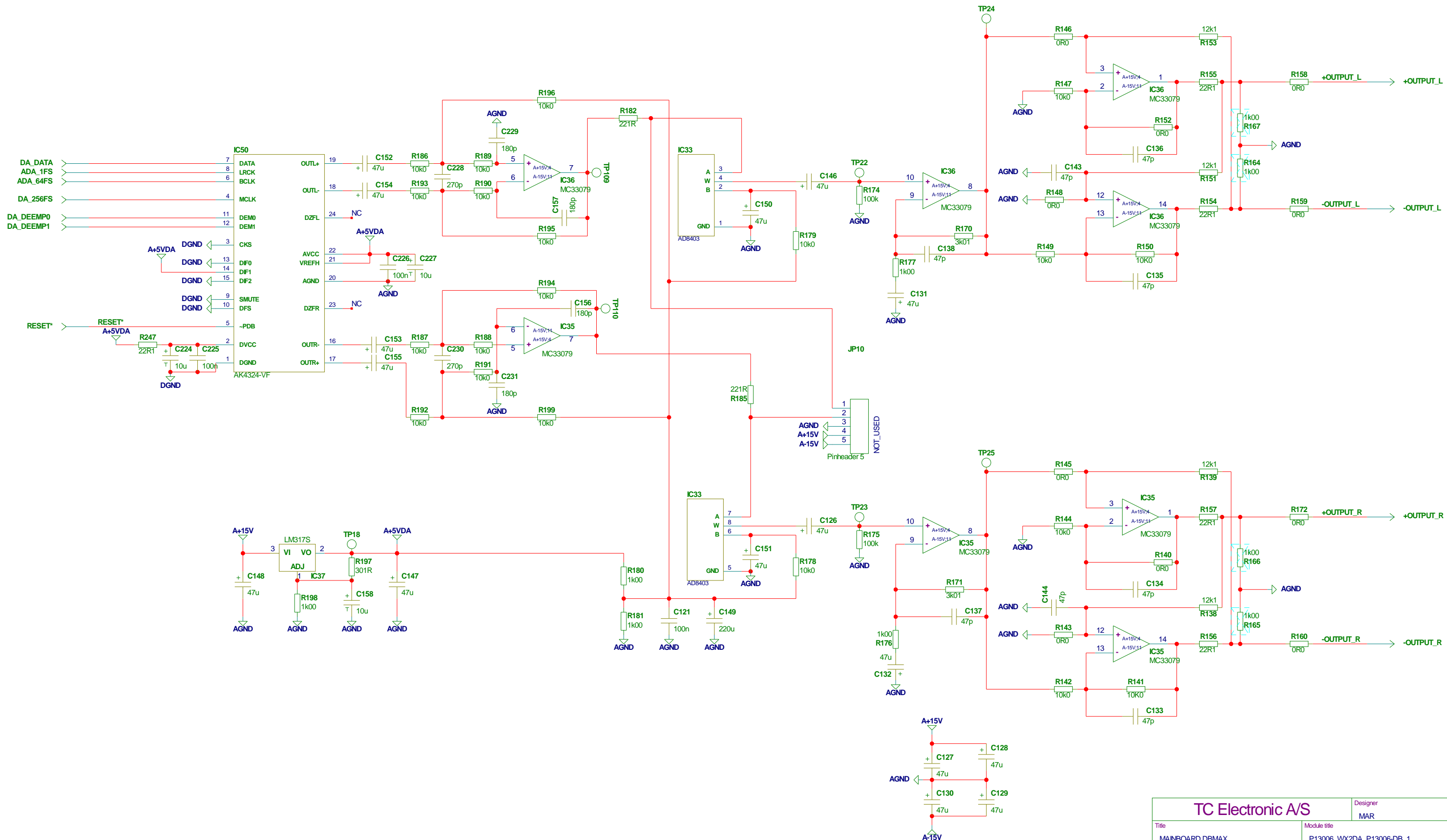
TC Electronic A/S		Designer
		MAR
Title	MAINBOARD DBMAX	Module title
		P13006_WX2ASI_P13006-DB_1
Number	P13006	Revision
		DBC
Date	18-4-2011_12:27	Filename
		Previous page
		1
		Page / of
		10 / 15



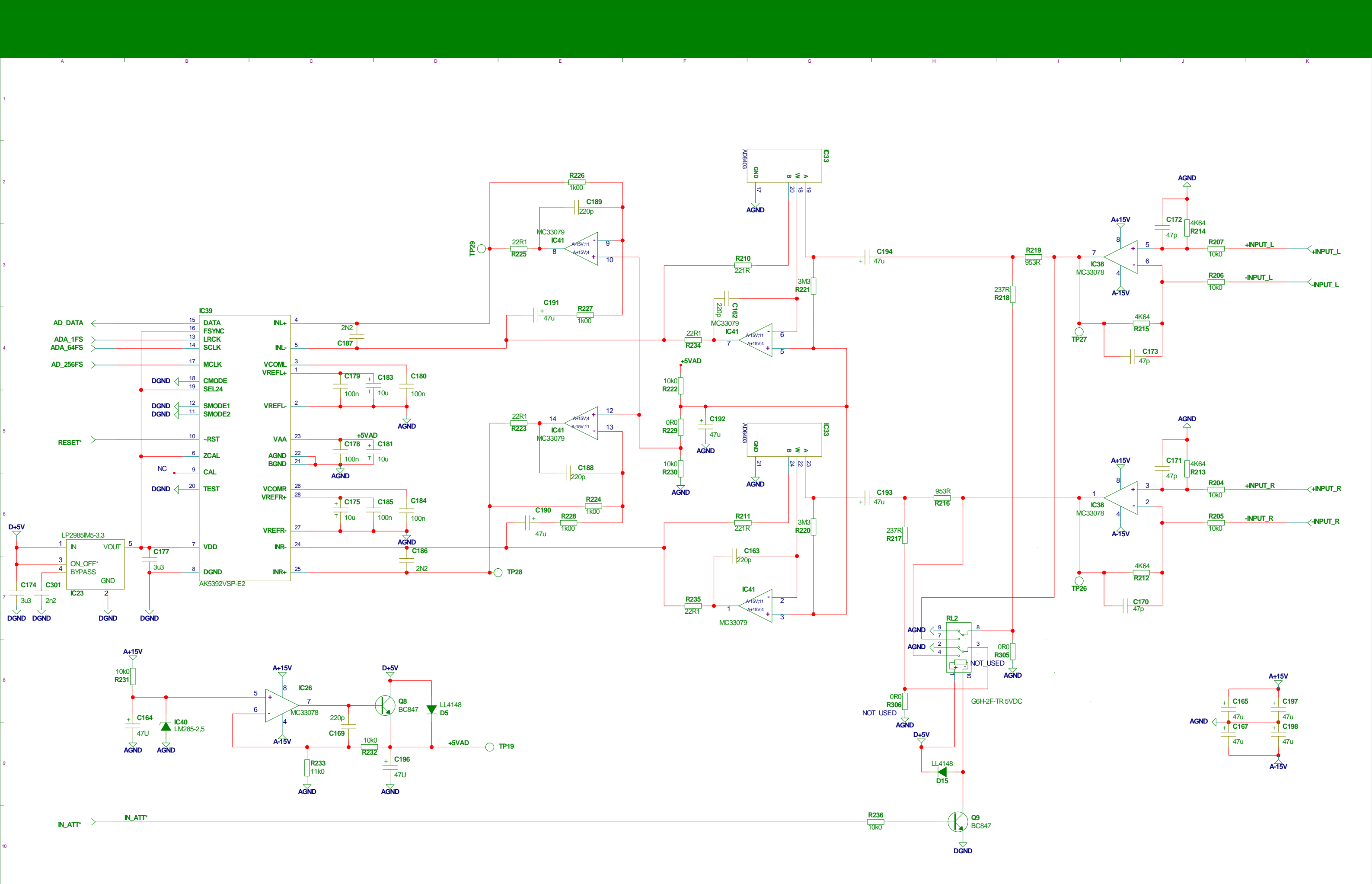
TC Electronic A/S		Designer MAR
Title MAINBOARD DBMAX	Module title P13006_WX2ASI_P13006-DB_1	
Number P13006	Revision DBC	Previous page 1
Date 18-4-2011_12:27	Filename	Page / of 11 / 15



TC Electronic A/S		Designer
Title MAINBOARD DBMAX		MAR
Module title P13006_WX2ADA_P13006-DB_1		
Number P13006	Revision DBC	Previous page 1
Date 18-4-2011_12:27	Filenam	Page / of 12 / 15



TC Electronic A/S		Designer
Title		MAR
MAINBOARD DBMAX		Module title
P13006		P13006_WX2DA_P13006-DB_1
Number	Revision	Previous page
P13006	DBC	12
Date	Filename	Page / of
18-4-2011_12:26		13 / 15



TC Electronic A/S		Designer MAR
Title MAINBOARD DBMAX		Module title P13006_WX2AD_P13006-DB_1
Number P13006	Revision DBC	Previous page 12
Date 18-4-2011_12:27	Filename	Page / of 14 / 15

