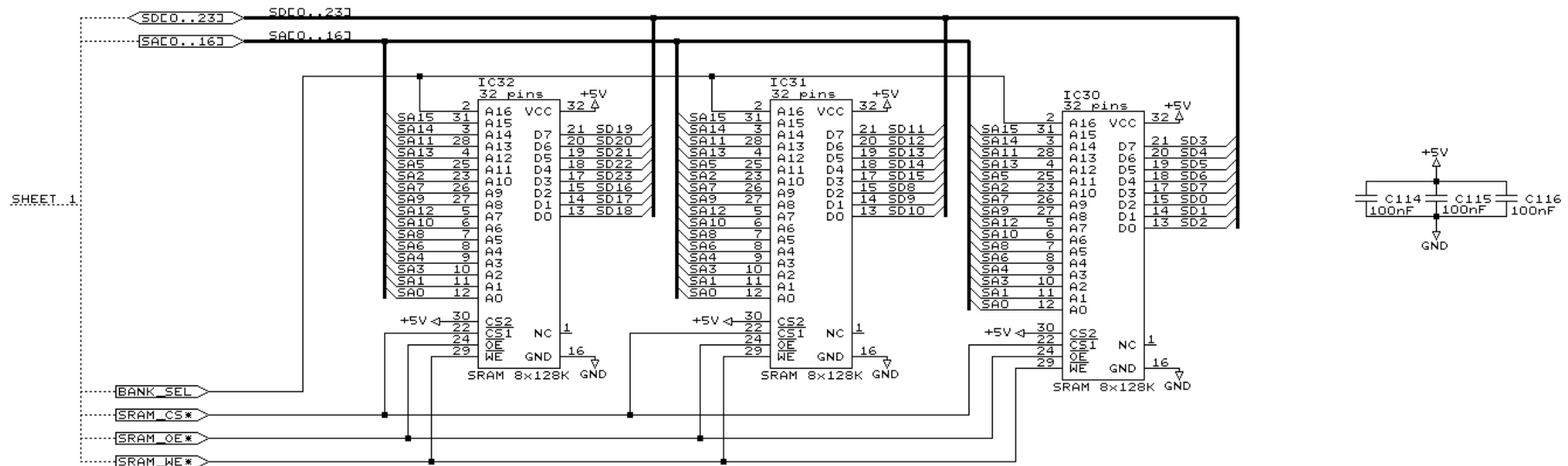


(#) : NOT USED

TC ELECTRONIC A/S		
PCB NAME: WIZARD II, PC13001-4		
Title "DBMAX MAIN BOARD" MAIN BOARD		
Size	Document Number	REV
B	P1300147.SCH	4.7
Date:	June 9, 1999	Sheet 1 of 14

ALL VOLTAGES ARE MEASURED WITH DGND AS REFERENCE.

SOUND RAM

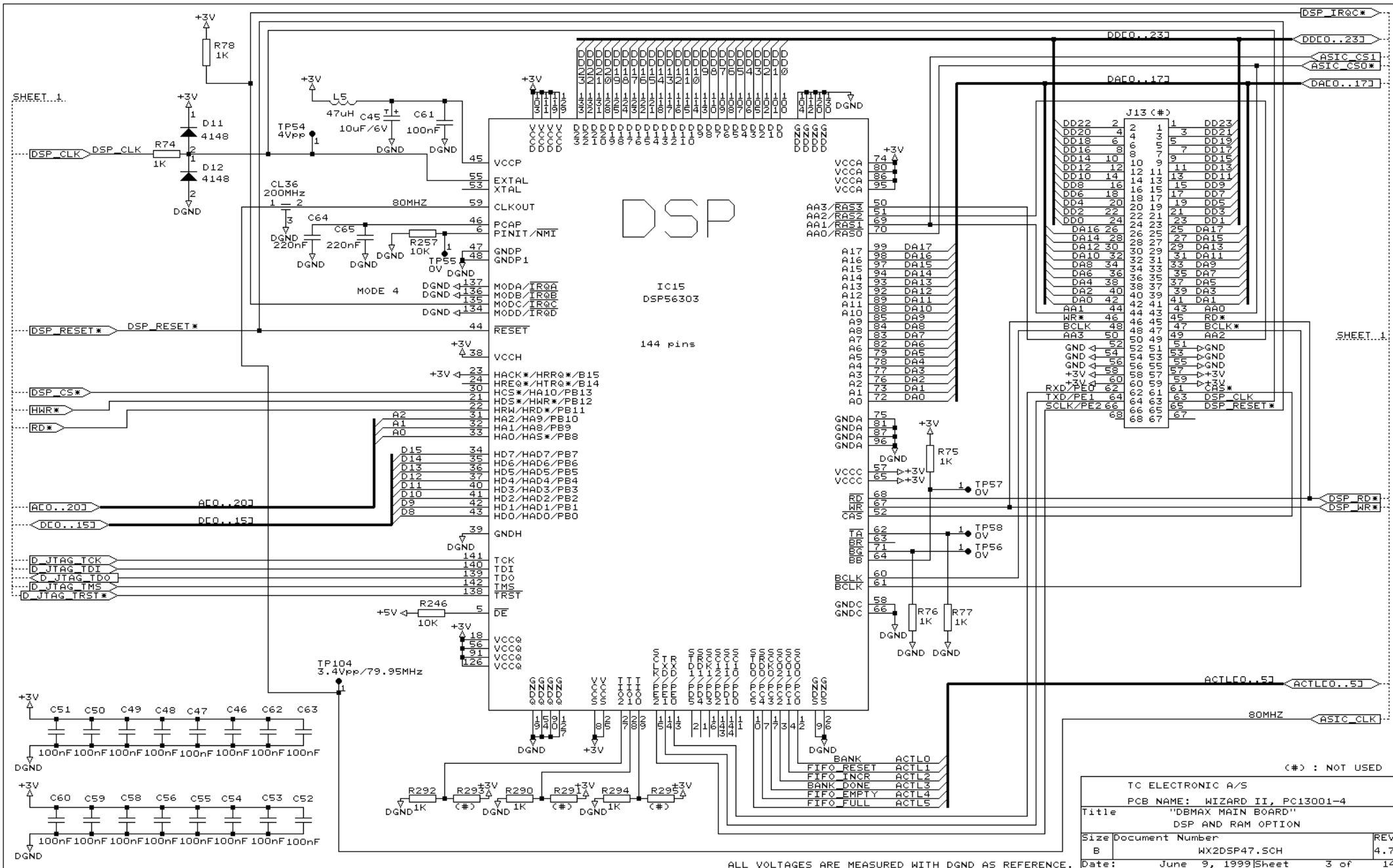


SHEET...1

(*): NOT USED

TC ELECTRONIC A/S		
PCB NAME: WIZARD II, PC13001-4		
Title "DBMAX MAIN BOARD"		
MEMORY FOR DSP		
Size	Document Number	REV
B	WX2DSM47.SCH	4.7
Date:	June 9, 1999	Sheet 2 of 14

ALL VOLTAGES ARE MEASURED WITH DGND AS REFERENCE.



SHEET...1.

SHEET...1.

DSP
IC15
DSP56303
144 pins

J13 (#)

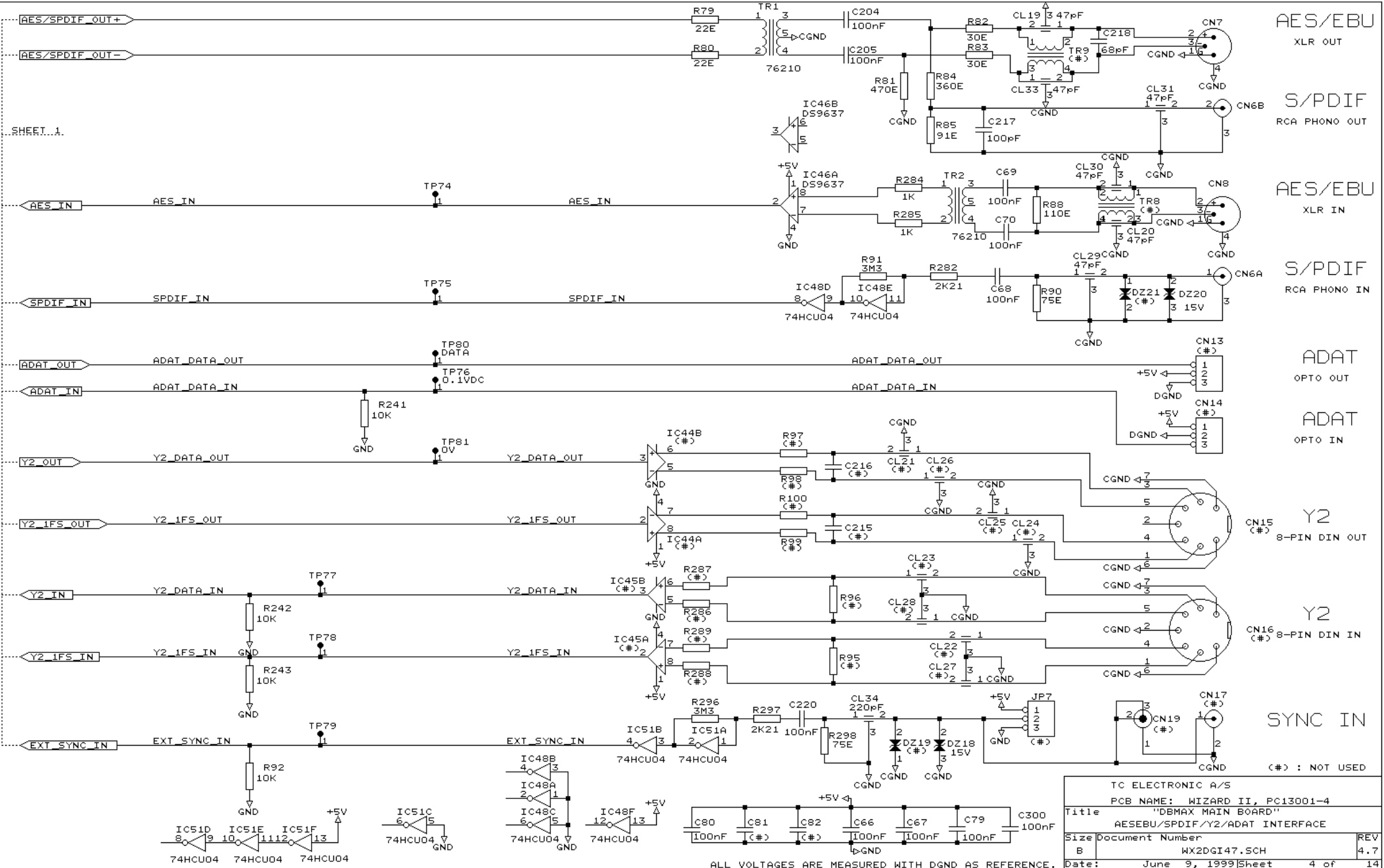
DD22	2	1	DD23
DD20	4	3	DD21
DD18	6	5	DD19
DD16	8	7	DD17
DD14	10	9	DD15
DD12	12	11	DD13
DD10	14	13	DD11
DD8	16	15	DD9
DD6	18	17	DD7
DD4	20	19	DD5
DD2	22	21	DD3
DD0	24	23	DD1
DA16	26	25	DA17
DA14	28	27	DA15
DA12	30	29	DA13
DA10	32	31	DA11
DA8	34	33	DA9
DA6	36	35	DA7
DA4	38	37	DA5
DA2	40	39	DA3
DA0	42	41	DA1
AA1	44	43	AA0
WR*	46	45	RD*
BCLK	48	47	BCLK*
AA3	50	49	AA2
GND	52	51	GND
GND	54	53	GND
GND	56	55	GND
+3V	58	57	+3V
RXD/PE0	60	59	CAS*
TXD/PE1	62	61	DSP_CLK
SCLK/PE2	64	63	DSP_RESET*
66	65	64	67
68	67	66	67

(#) : NOT USED

TC ELECTRONIC A/S		
PCB NAME: WIZARD II, PC13001-4		
Title "DBMAX MAIN BOARD" DSP AND RAM OPTION		
Size	Document Number	REV
B	WX2DSP47.SCH	4.7
Date:	June 9, 1999	Sheet 3 of 14

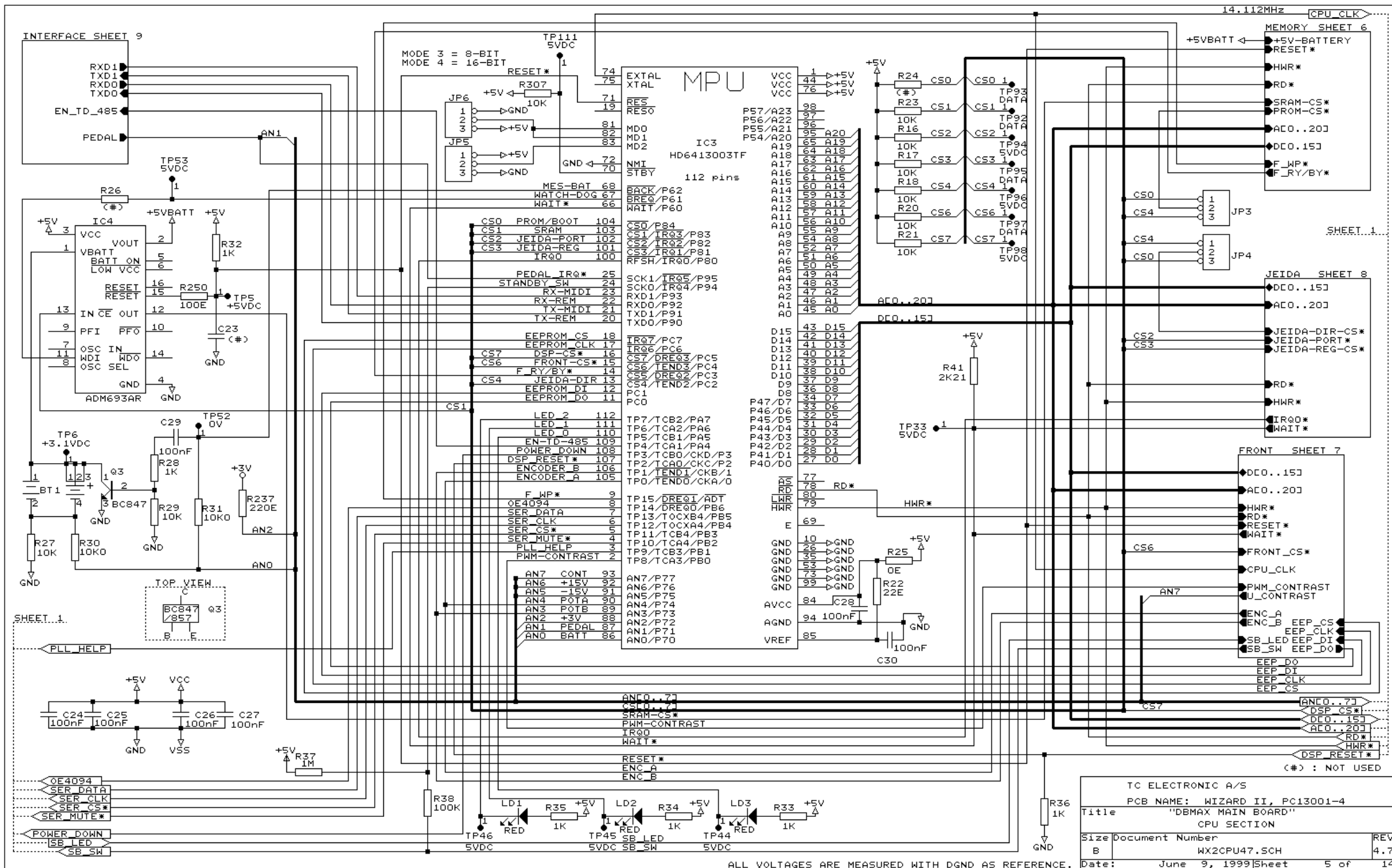
ALL VOLTAGES ARE MEASURED WITH DGND AS REFERENCE.

SHEET...1.



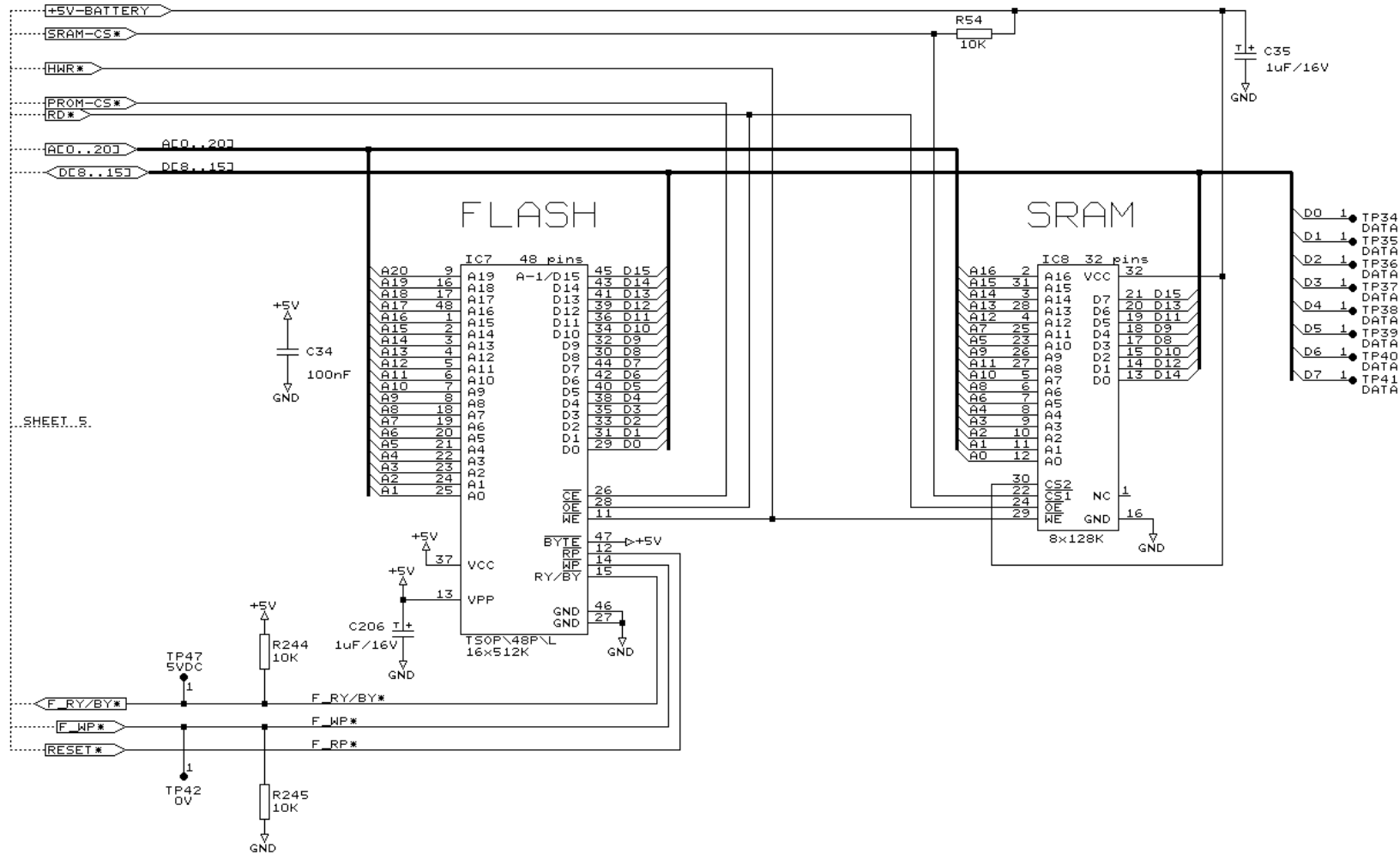
TC ELECTRONIC A/S	
PCB NAME: WIZARD II, PC13001-4	
Title "DBMAX MAIN BOARD"	
AESEBU/SPDIF/Y2/ADAT INTERFACE	
Size	Document Number
B	HX2DGI47.SCH
Date:	June 9, 1999
Sheet	4 of 14
REV	4.7

ALL VOLTAGES ARE MEASURED WITH DGND AS REFERENCE.



TC ELECTRONIC A/S	
PCB NAME: WIZARD II, PC13001-4	
Title "DBMAX MAIN BOARD"	
CPU SECTION	
Size B	Document Number WX2CPU47.SCH
REV 4.7	Date: June 9, 1999 Sheet 5 of 14

ALL VOLTAGES ARE MEASURED WITH DGND AS REFERENCE.



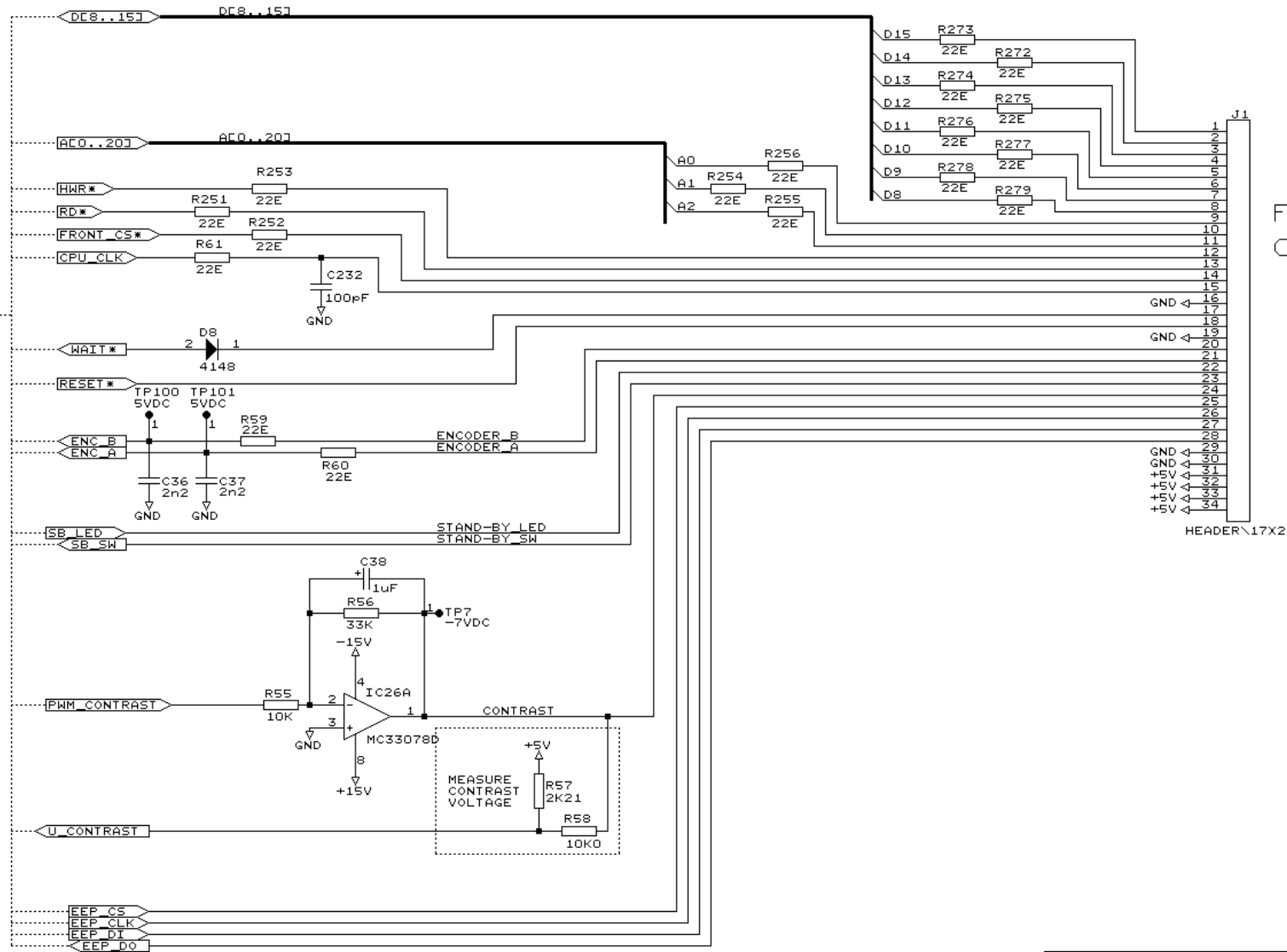
SHEET...5

(#) : NOT USED

TC ELECTRONIC A/S		
PCB NAME: WIZARD II, PC13001-4		
Title "DBMAX MAIN BOARD" CPU MEMORY		
Size	Document Number	REV
B	WX2MEM47.SCH	4.7
Date:	June 9, 1999	Sheet 6 of 14

ALL VOLTAGES ARE MEASURED WITH DGND AS REFERENCE.

SHEET 5



FRONT CONNECTOR

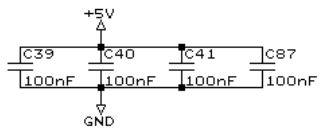
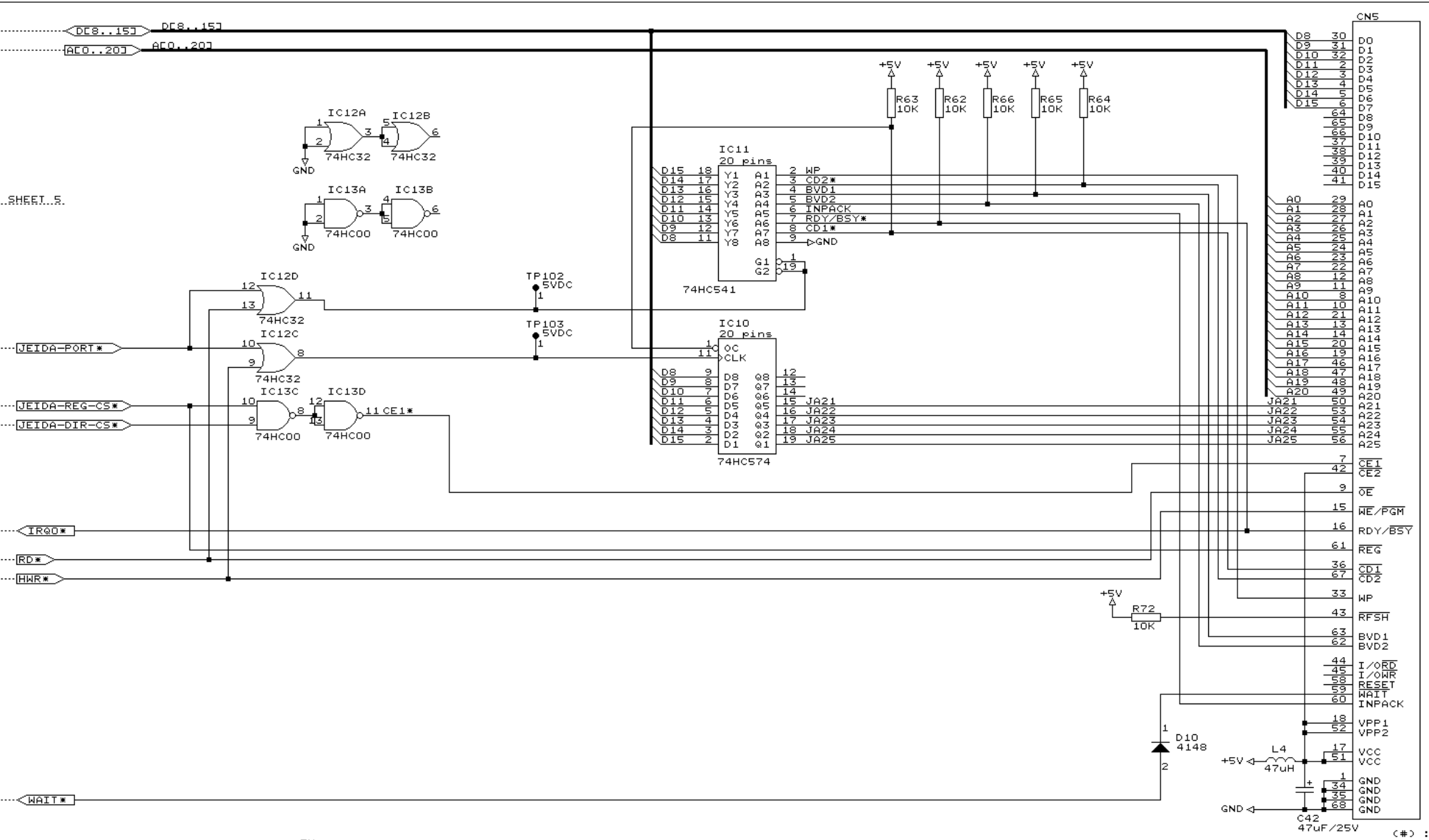
HEADER 17X2

(#) : NOT USED

TC ELECTRONIC A/S		
PCB NAME: WIZARD II, PC13001-4		
Title "DBMAX MAIN BOARD"		
CONNECTION TO FRONT PCB		
Size	Document Number	REV
B	WX2FNT47.SCH	4.7
Date:	June 9, 1999	Sheet 7 of 14

ALL VOLTAGES ARE MEASURED WITH DGND AS REFERENCE.

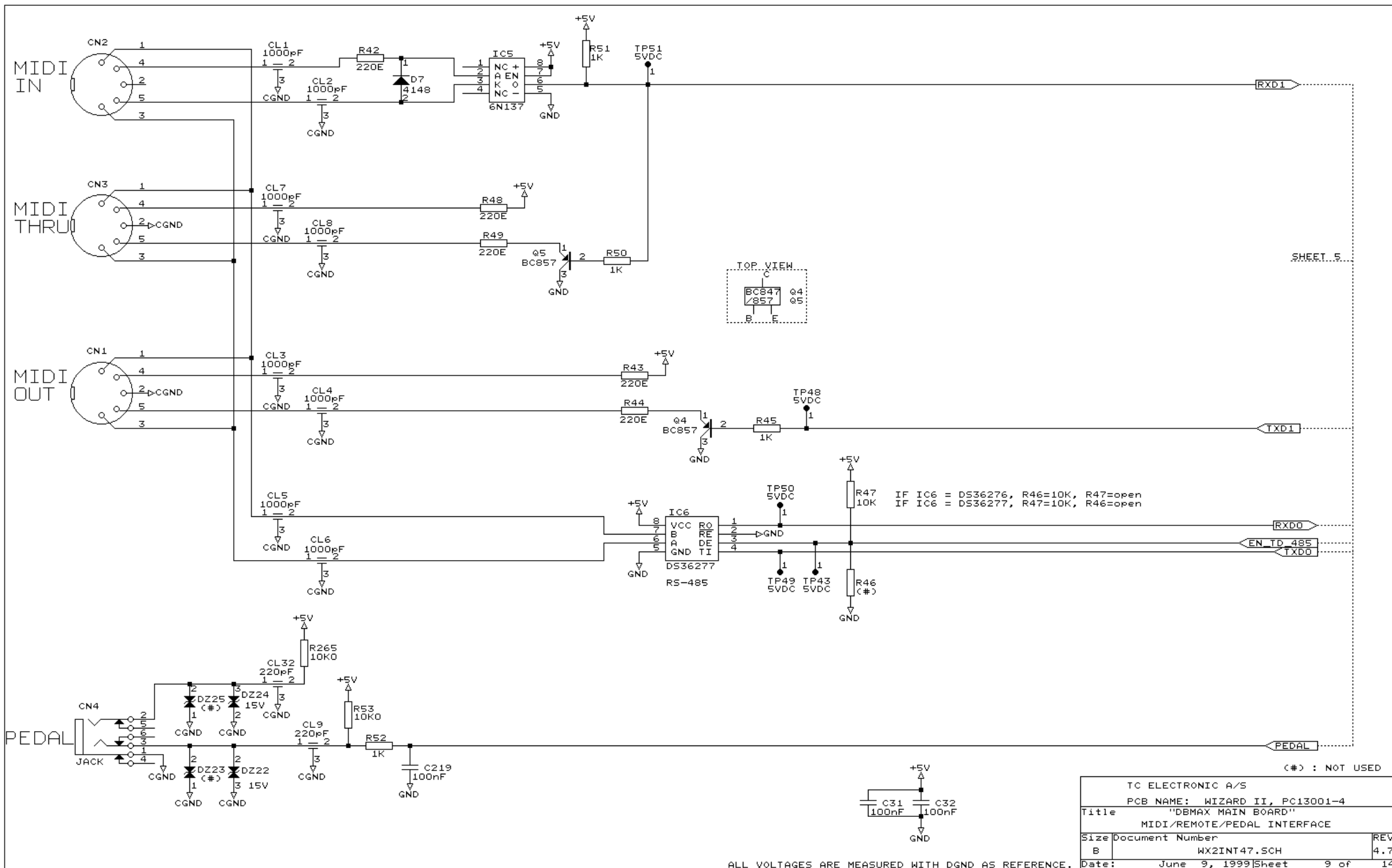
SHEET 5.



TC ELECTRONIC A/S		
PCB NAME: WIZARD II, PC13001-4		
Title 'DBMAX MAIN BOARD' PCMCIA CONNECTOR		
Size	Document Number	REV
B	WX2JEI47.SCH	4.7
Date:	June 9, 1999	Sheet 8 of 14

ALL VOLTAGES ARE MEASURED WITH DGND AS REFERENCE.

PCMCIA CONNECTOR

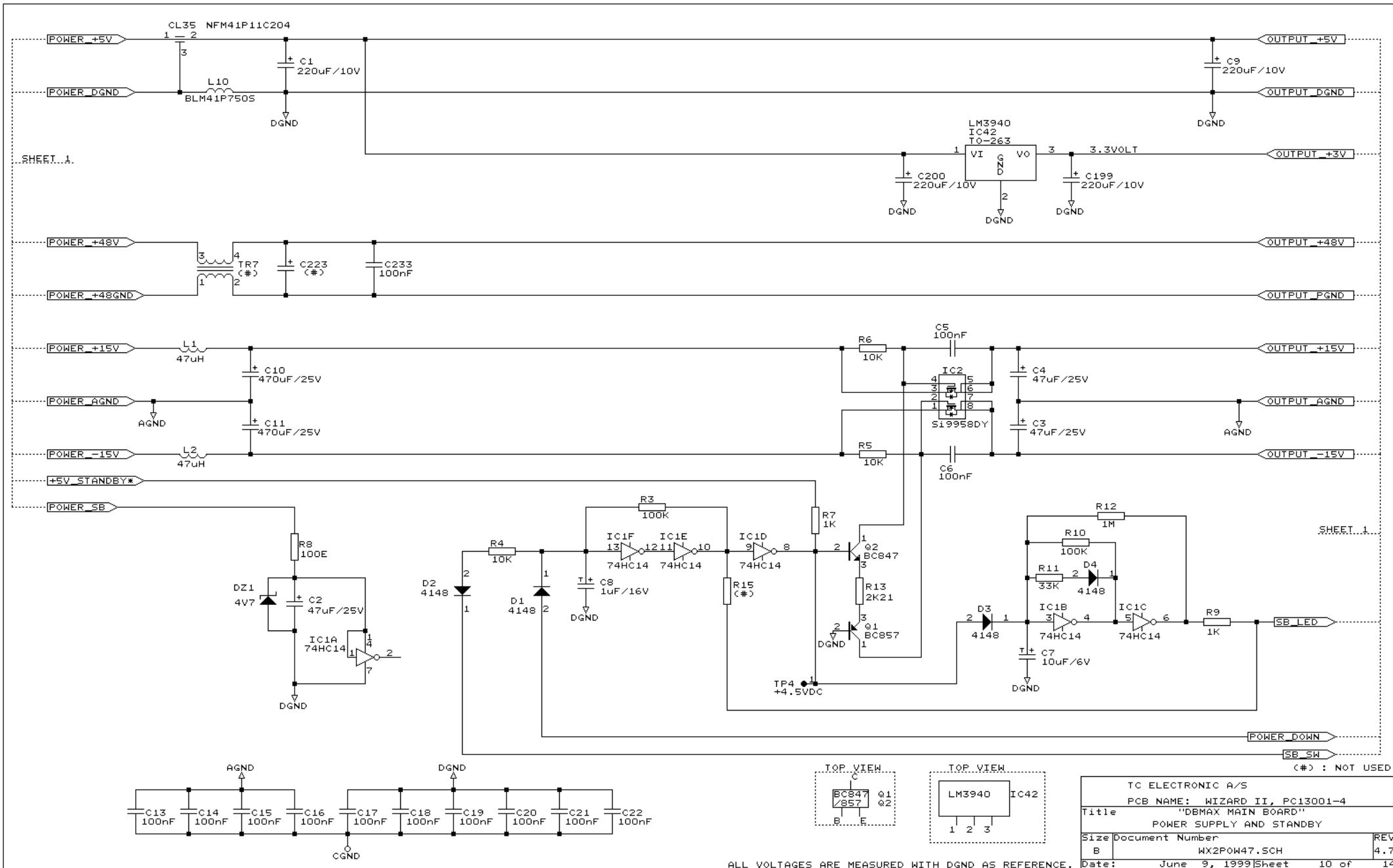


SHEET...5...

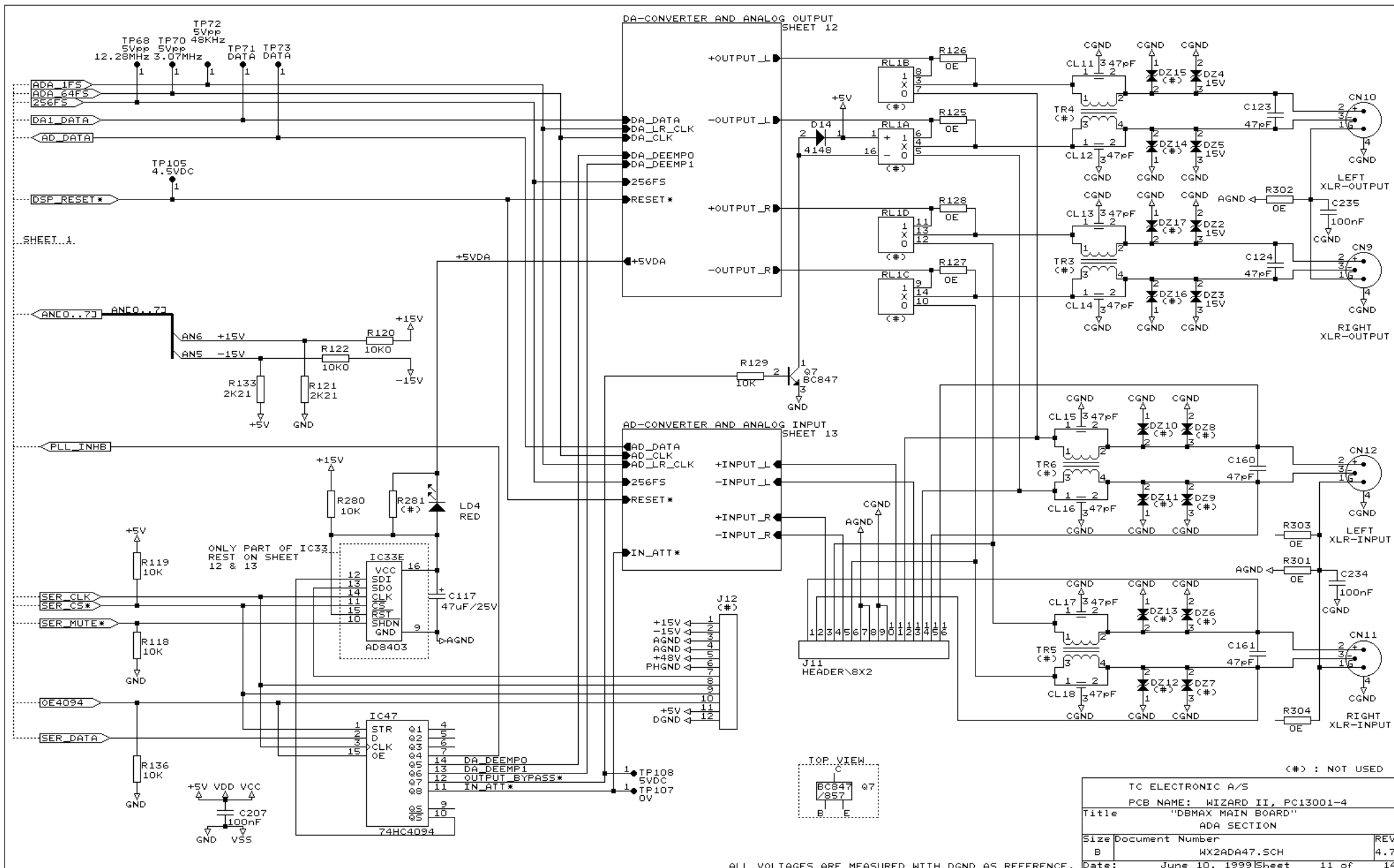
(#) : NOT USED

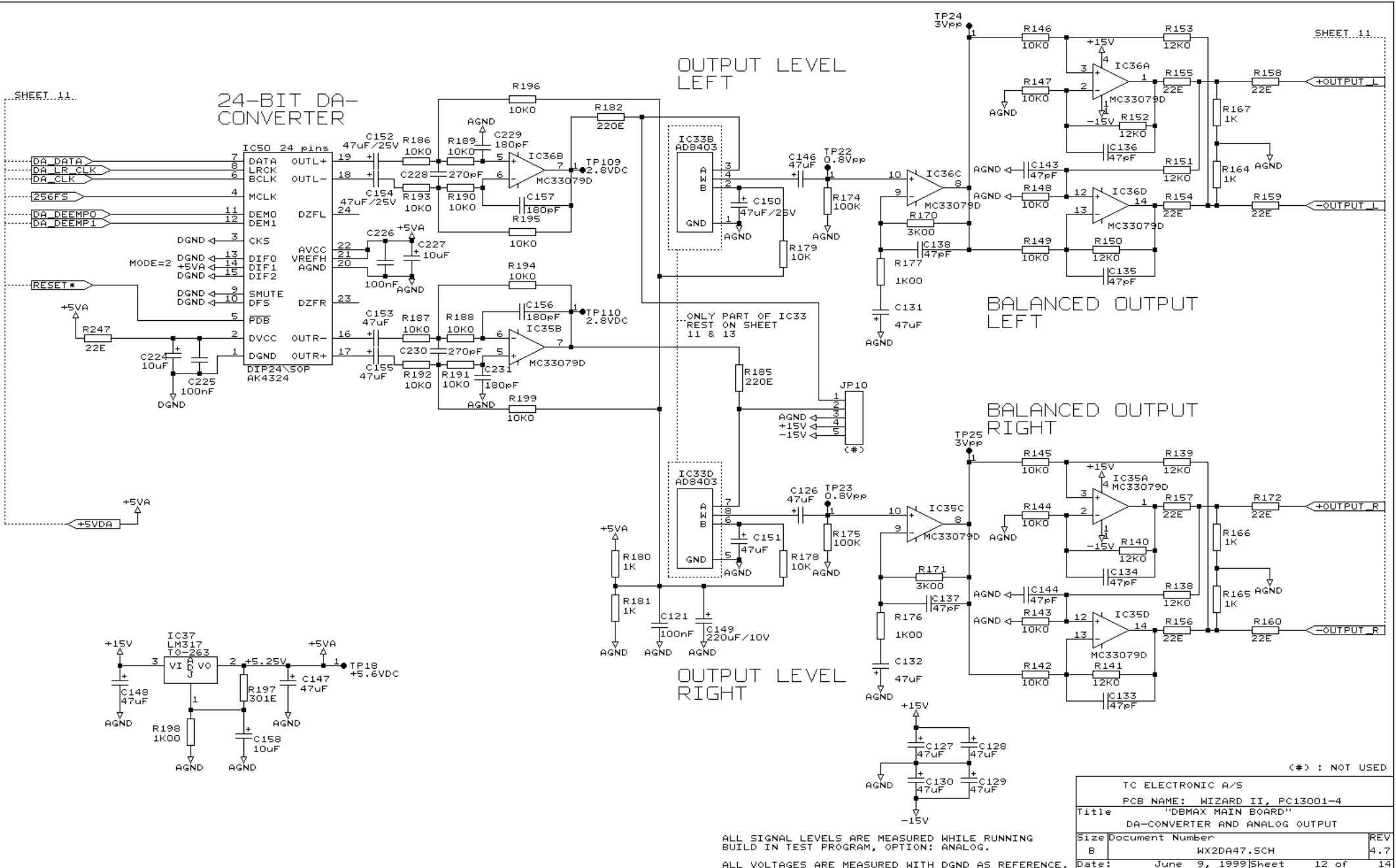
TC ELECTRONIC A/S		
PCB NAME: WIZARD II, PC13001-4		
Title "DBMAX MAIN BOARD"		
MIDI/REMOTE/PEDAL INTERFACE		
Size	Document Number	REV
B	HX2INT47.SCH	4.7
Date:	June 9, 1999	Sheet 9 of 14

ALL VOLTAGES ARE MEASURED WITH DGND AS REFERENCE.



ALL VOLTAGES ARE MEASURED WITH DGND AS REFERENCE.





SHEET..11..

SHEET..11..

24-BIT DA-CONVERTER

OUTPUT LEVEL LEFT

BALANCED OUTPUT LEFT

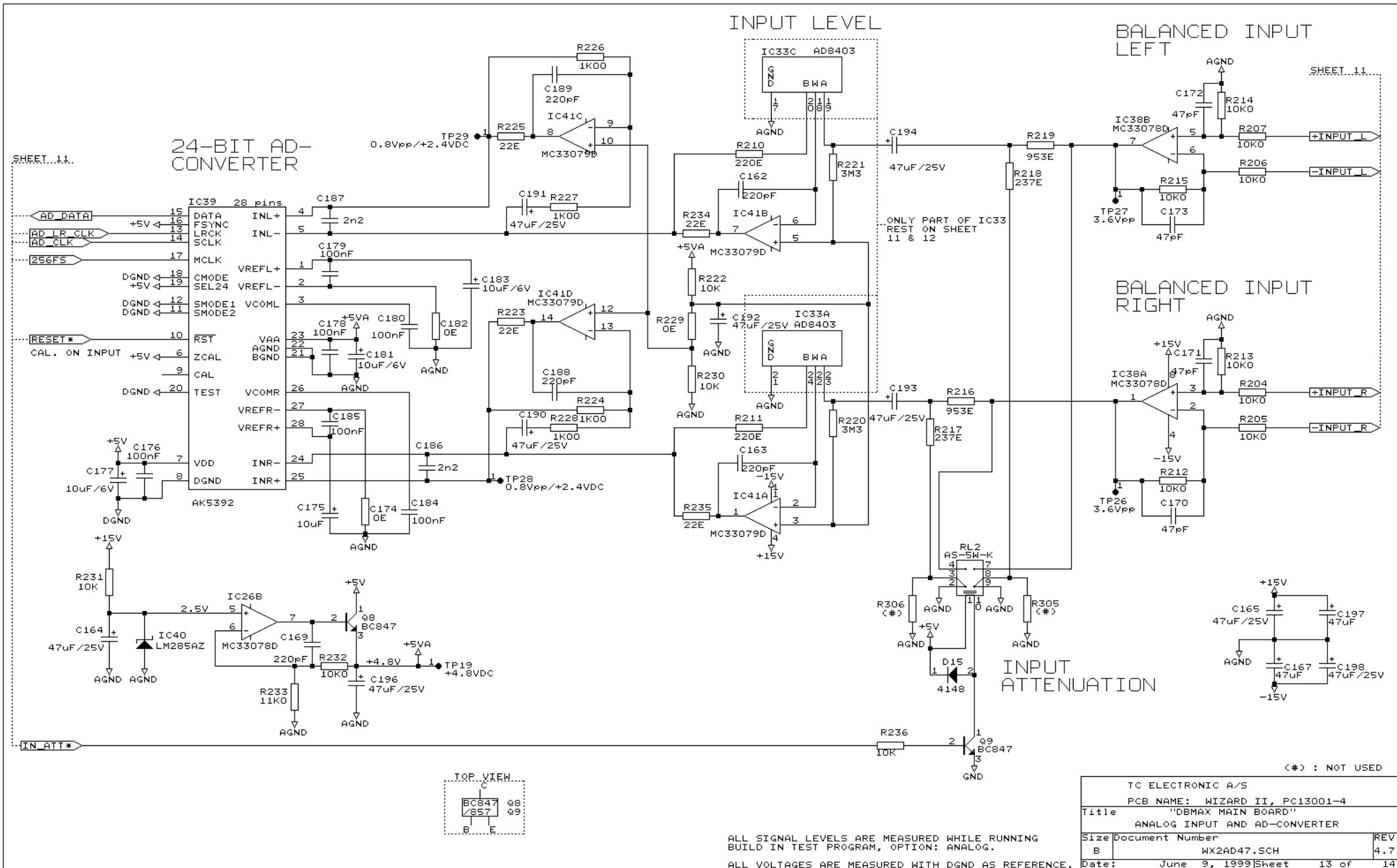
BALANCED OUTPUT RIGHT

OUTPUT LEVEL RIGHT

(#) : NOT USED

TC ELECTRONIC A/S		
PCB NAME: WIZARD II, PC13001-4		
Title "DBMAX MAIN BOARD"		
DA-CONVERTER AND ANALOG OUTPUT		
Size	Document Number	REV
B	HX2DA47.SCH	4.7
Date:	June 9, 1999	Sheet 12 of 14

ALL SIGNAL LEVELS ARE MEASURED WHILE RUNNING BUILD IN TEST PROGRAM, OPTION: ANALOG.
ALL VOLTAGES ARE MEASURED WITH DGND AS REFERENCE.



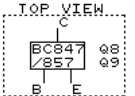
24-BIT AD-CONVERTER

INPUT LEVEL

BALANCED INPUT LEFT

BALANCED INPUT RIGHT

INPUT ATTENUATION



(#) : NOT USED

TC ELECTRONIC A/S		REV	
PCB NAME: WIZARD II, PC13001-4		4.7	
Title "DBMAX MAIN BOARD"			
ANALOG INPUT AND AD-CONVERTER			
Size	Document Number	REV	
B	HX2AD47.SCH	4.7	
Date:	June 9, 1999	Sheet	13 of 14

ALL SIGNAL LEVELS ARE MEASURED WHILE RUNNING BUILD IN TEST PROGRAM, OPTION: ANALOG.
ALL VOLTAGES ARE MEASURED WITH DGND AS REFERENCE.

