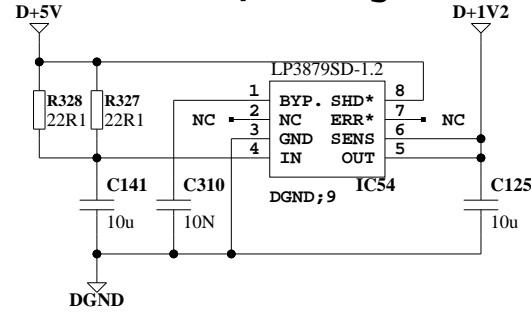


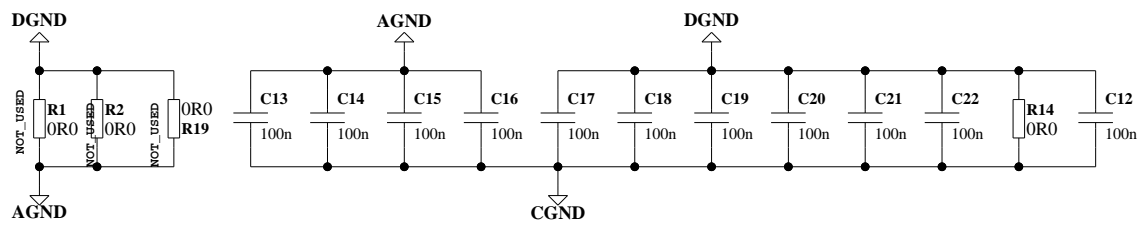
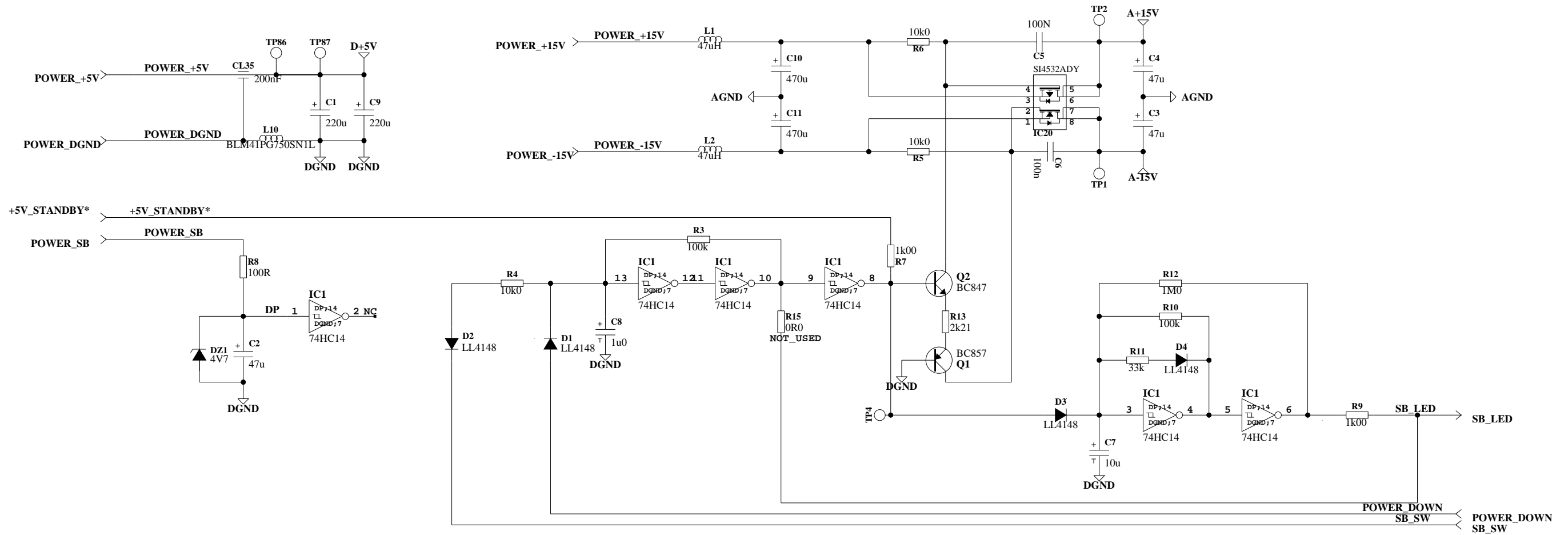
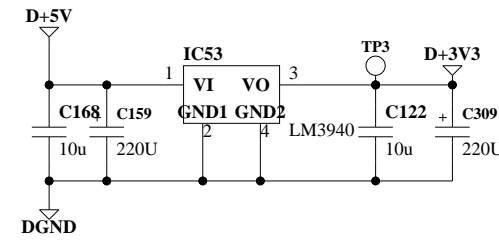
- M1: P13006-C
- M6: EMC BRACKET WIZARD 2
- M3: 2.5X6MM
- M5: 2.5X6MM
- M2: 2.5X6MM
- M4: 2.5X6MM
- M22: 2.5X5MM
- M23: 2.5X5MM
- M24: 2.5X5MM

<b>TC Electronic A/S</b>		Designer MAR
Title MAINBOARD DEMAX		Module title P13006-C P13006-CB
Number P13006	Revision CBC	Previous page 1
Date 2-1-2008 21:12	Filename	Page / of 1 / 15

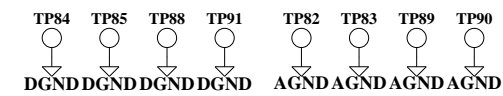
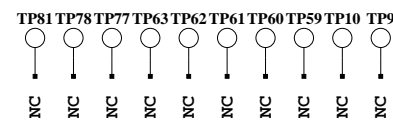
### 1,2V Regulator



### 3,3V Regulator



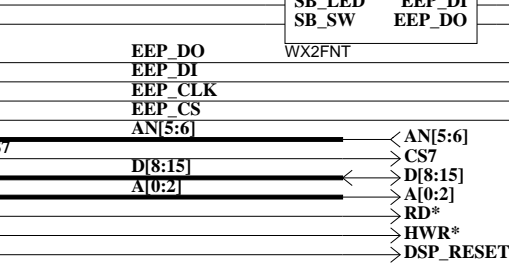
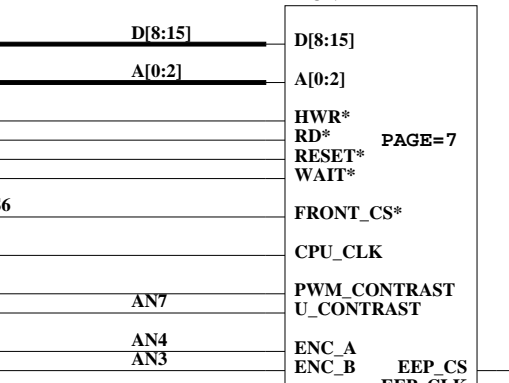
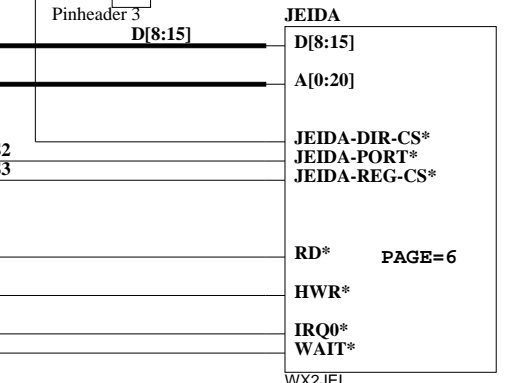
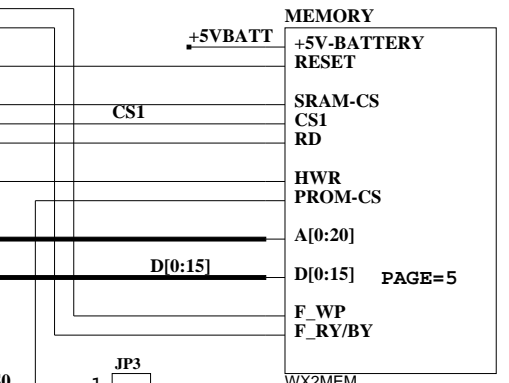
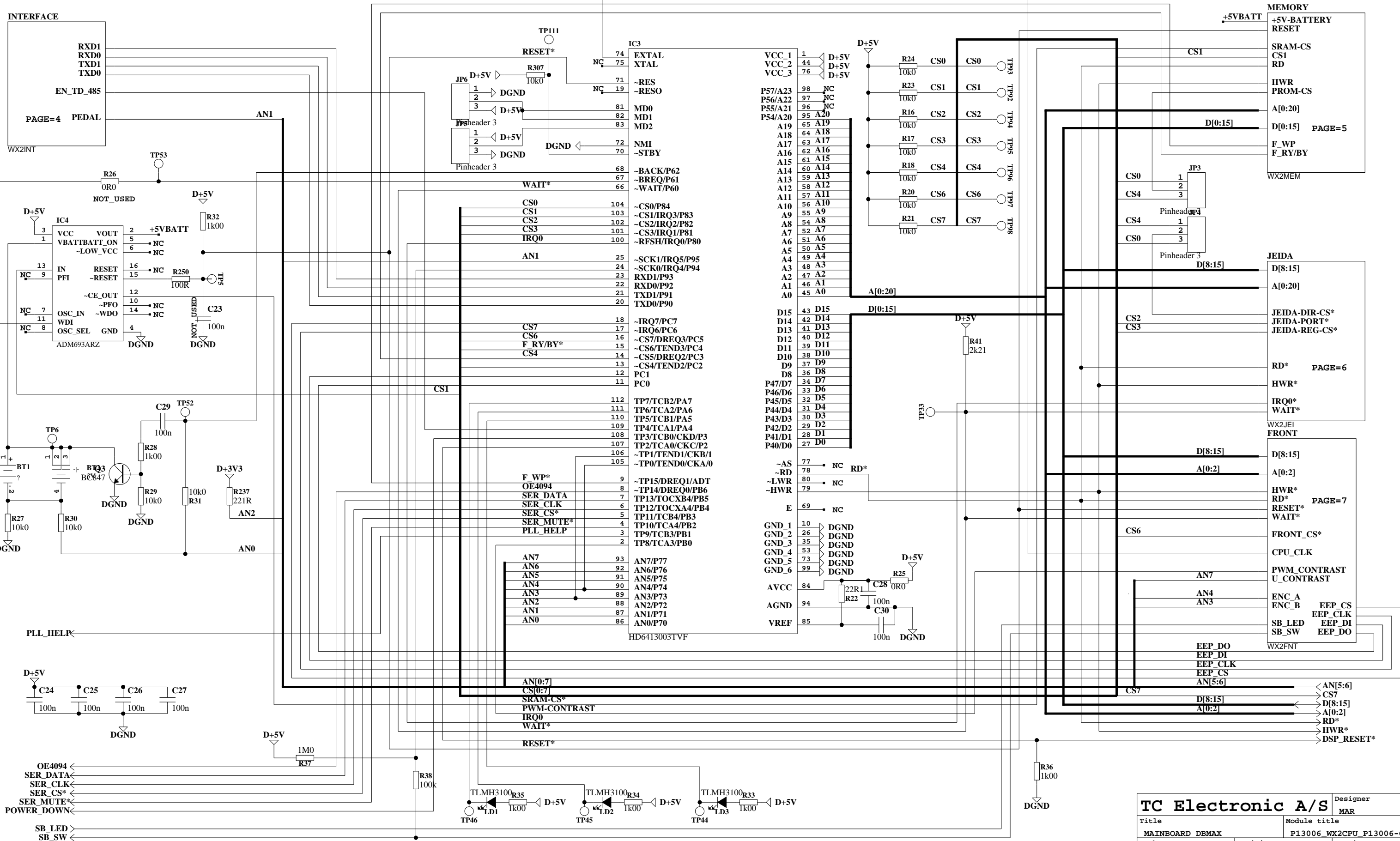
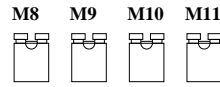
#### Unused Testpoints



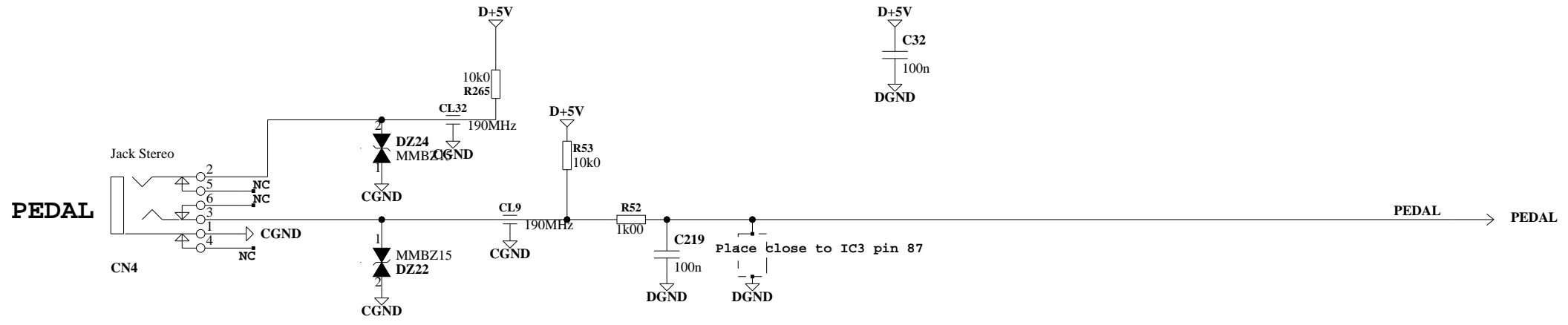
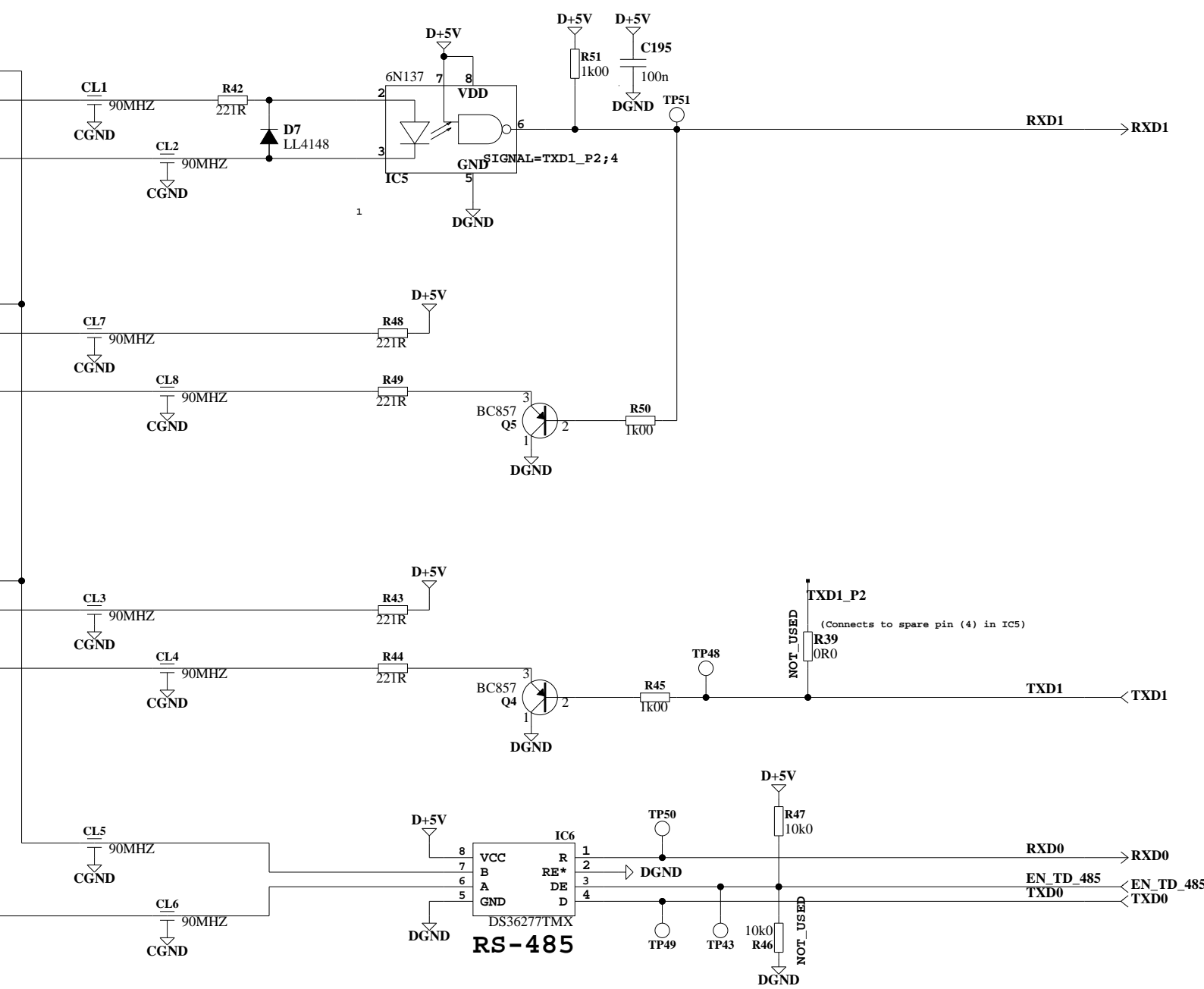
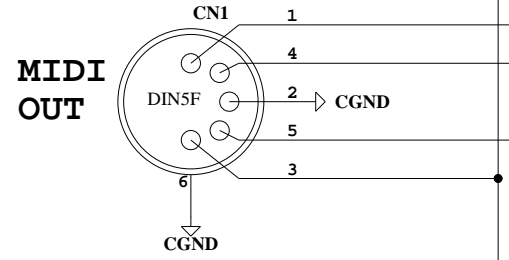
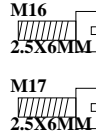
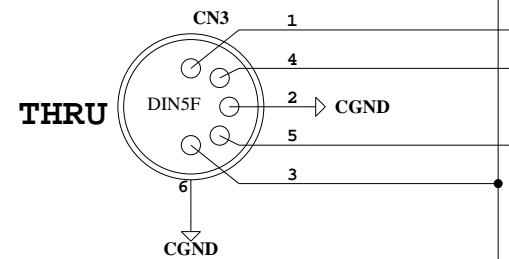
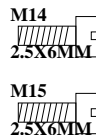
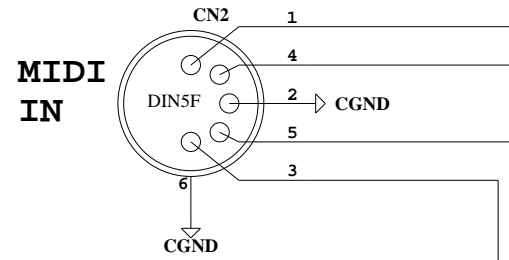
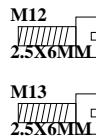
### TC Electronic A/S

Title MAINBOARD DEMAX		Module title P13006_WX2POW_P13006-CB_1	
Number P13006	Revision CBC	Previous page 1	
Date 2-1-2008 21:12	Filename	Page / of 1 / 15	

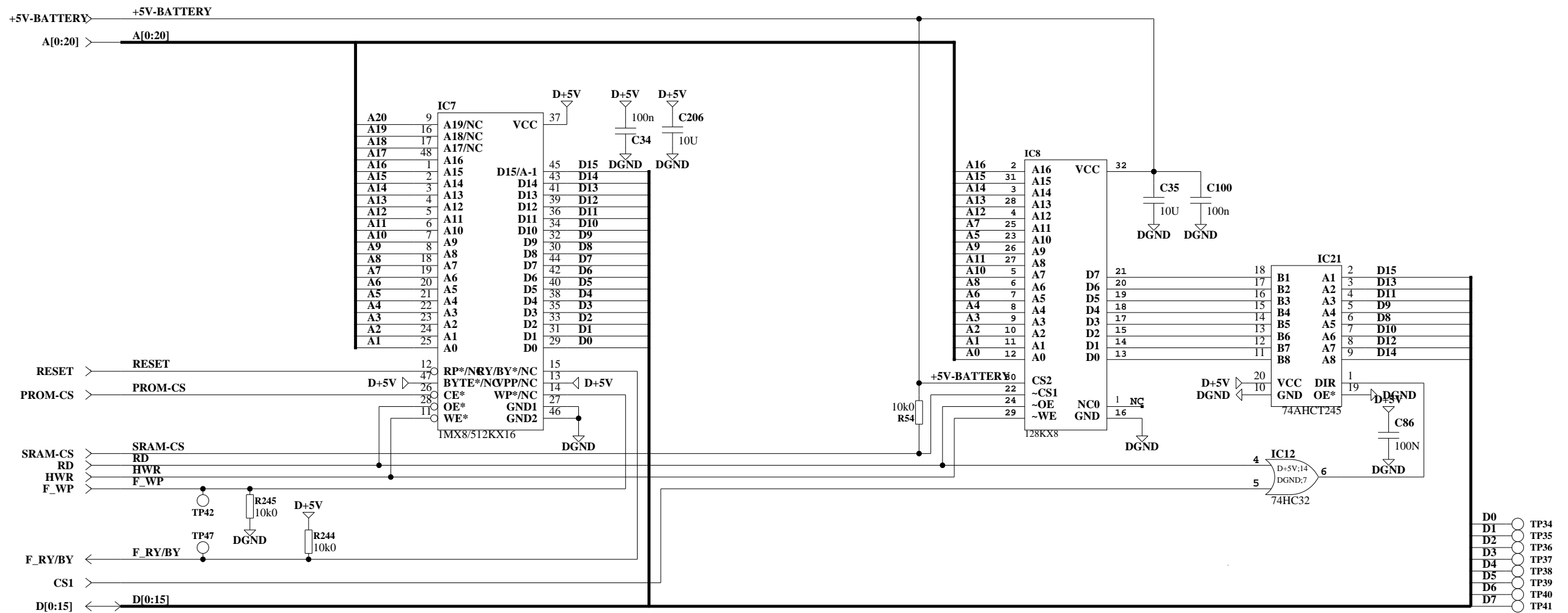
Designer  
MAR

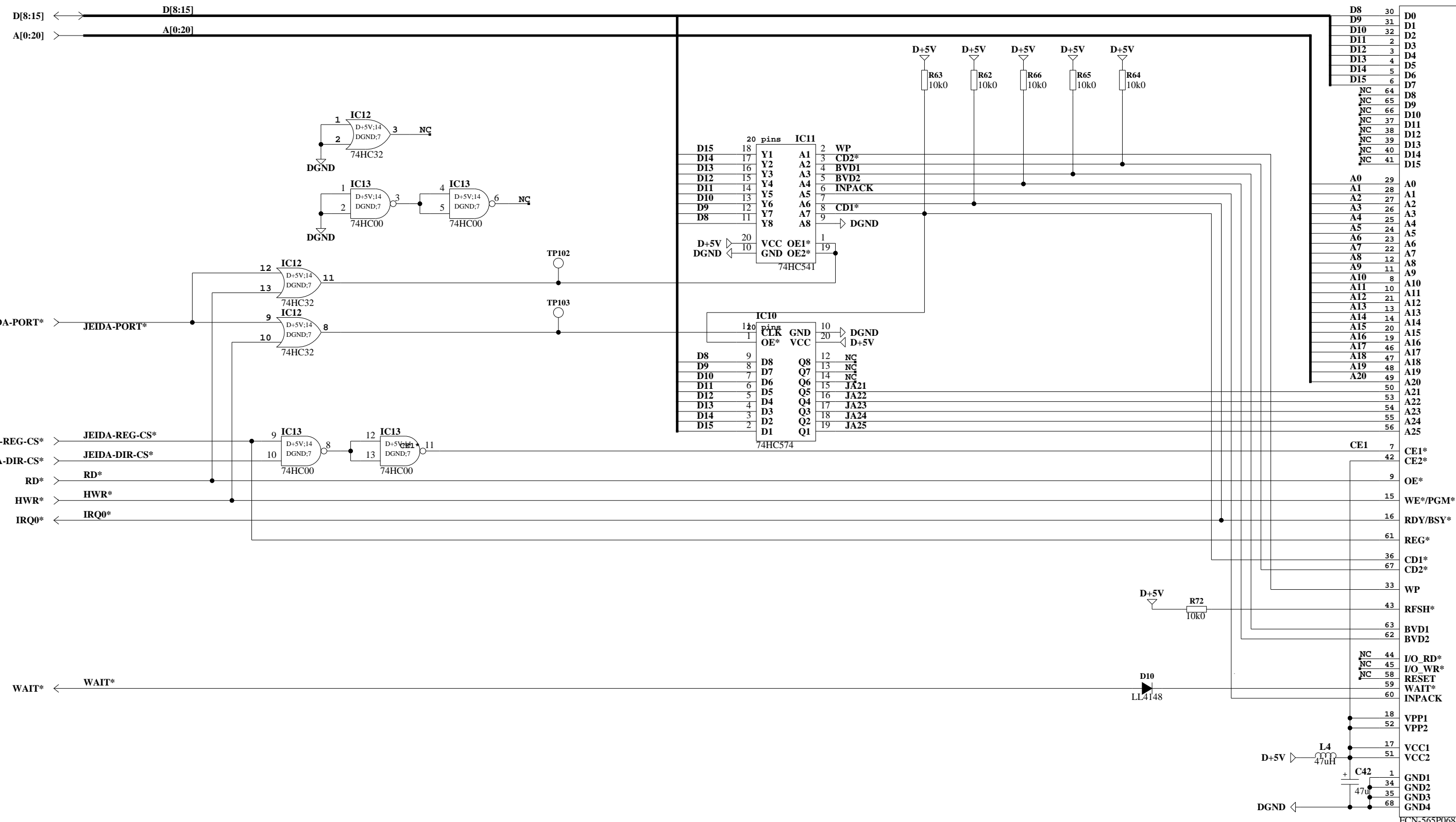


<b>TC Electronic A/S</b>		Designer MAR
Title MAINBOARD DEMAX		Module title P13006_WX2CPU_P13006-CB_1
Number P13006	Revision CBC	Previous page 1
Date 2-1-2008 21:12	Filename	Page / of 1 / 15

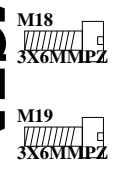


<b>TC Electronic A/S</b>		Designer MAR
Title MAINBOARD DEMAX		Module title P13006 WX2INT P13006-CB_1
Number P13006	Revision CBC	Previous page 1
Date 2-1-2008 21:12	Filename	Page / of 1 / 15

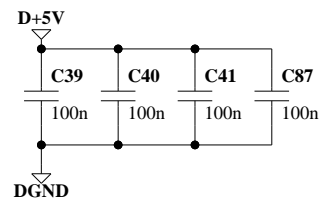




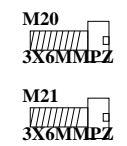
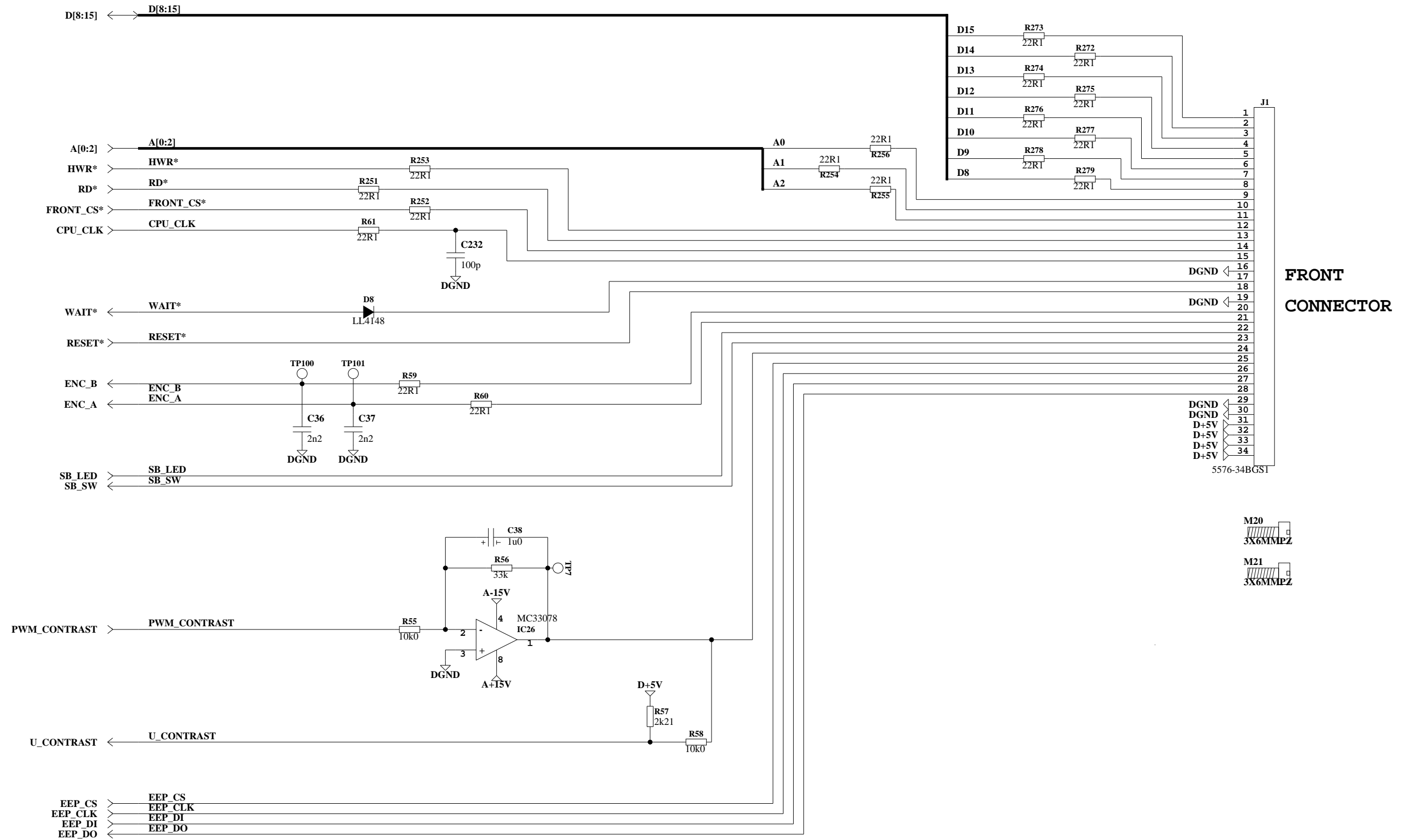
PCMCIA Type I



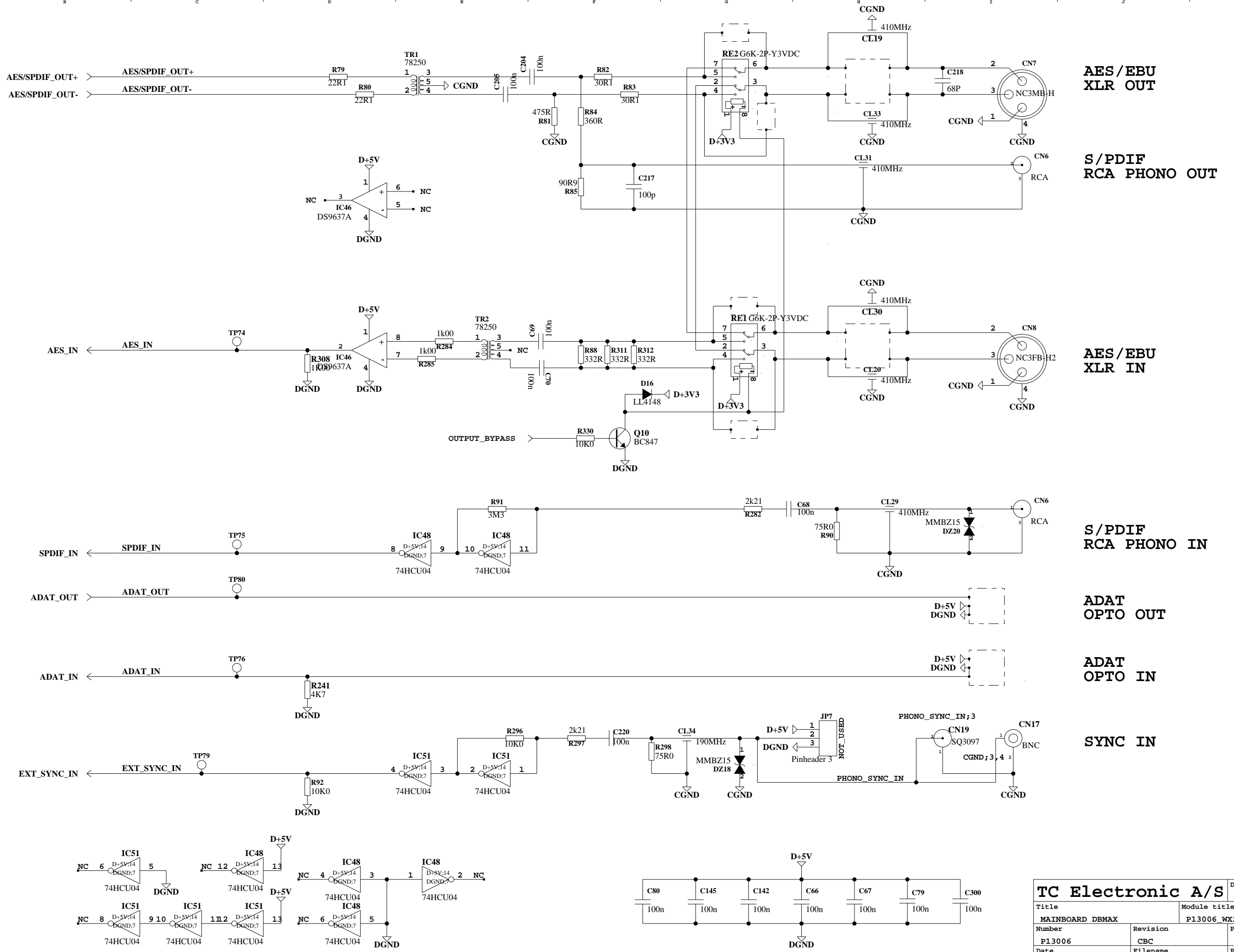
D8	30	D0
D9	31	D1
D10	32	D2
D11	2	D3
D12	3	D4
D13	4	D5
D14	5	D6
D15	6	D7
NC	64	D8
NC	65	D9
NC	66	D10
NC	37	D11
NC	38	D12
NC	39	D13
NC	40	D14
NC	41	D15
A0	29	A0
A1	28	A1
A2	27	A2
A3	26	A3
A4	25	A4
A5	24	A5
A6	23	A6
A7	22	A7
A8	12	A8
A9	11	A9
A10	8	A10
A11	10	A11
A12	21	A12
A13	13	A13
A14	14	A14
A15	20	A15
A16	19	A16
A17	46	A17
A18	47	A18
A19	48	A19
A20	49	A20
CE1	7	CE1*
CE2	42	CE2*
OE*	9	OE*
WE*/PGM*	15	WE*/PGM*
RDY/BSY*	16	RDY/BSY*
REG*	61	REG*
CD1*	36	CD1*
CD2*	67	CD2*
WP	33	WP
RFSH*	43	RFSH*
BVD1	63	BVD1
BVD2	62	BVD2
I/O_RD*	44	I/O_RD*
I/O_WR*	45	I/O_WR*
RESET	58	RESET
WAIT*	59	WAIT*
INPACK	60	INPACK
VPP1	18	VPP1
VPP2	52	VPP2
VCC1	17	VCC1
VCC2	51	VCC2
GND1	1	GND1
GND2	34	GND2
GND3	35	GND3
GND4	68	GND4



<b>TC Electronic A/S</b> Title: MAINBOARD DEMAX Number: *DEMAX MAIN BOARD* P13006 Date: 2-1-2008 21:12		Module title: P13006 WX2JEI P13006-CB_1 Revision: CBC Filename:	Designer: MAR Previous page: 1 Page / of: 1/15
---	--	---	--



<b>TC Electronic A/S</b>		Designer MAR
Title MAINBOARD DEMAX		Module title P13006 WX2FNT P13006-CB_1
Number P13006	Revision CBC	Previous page 1
Date 2-1-2008 21:12	Filename	Page / of 1 / 15



AES/EBU  
XLR OUT

S/PDIF  
RCA PHONO OUT

AES/EBU  
XLR IN

S/PDIF  
RCA PHONO IN

ADAT  
OPTO OUT

ADAT  
OPTO IN

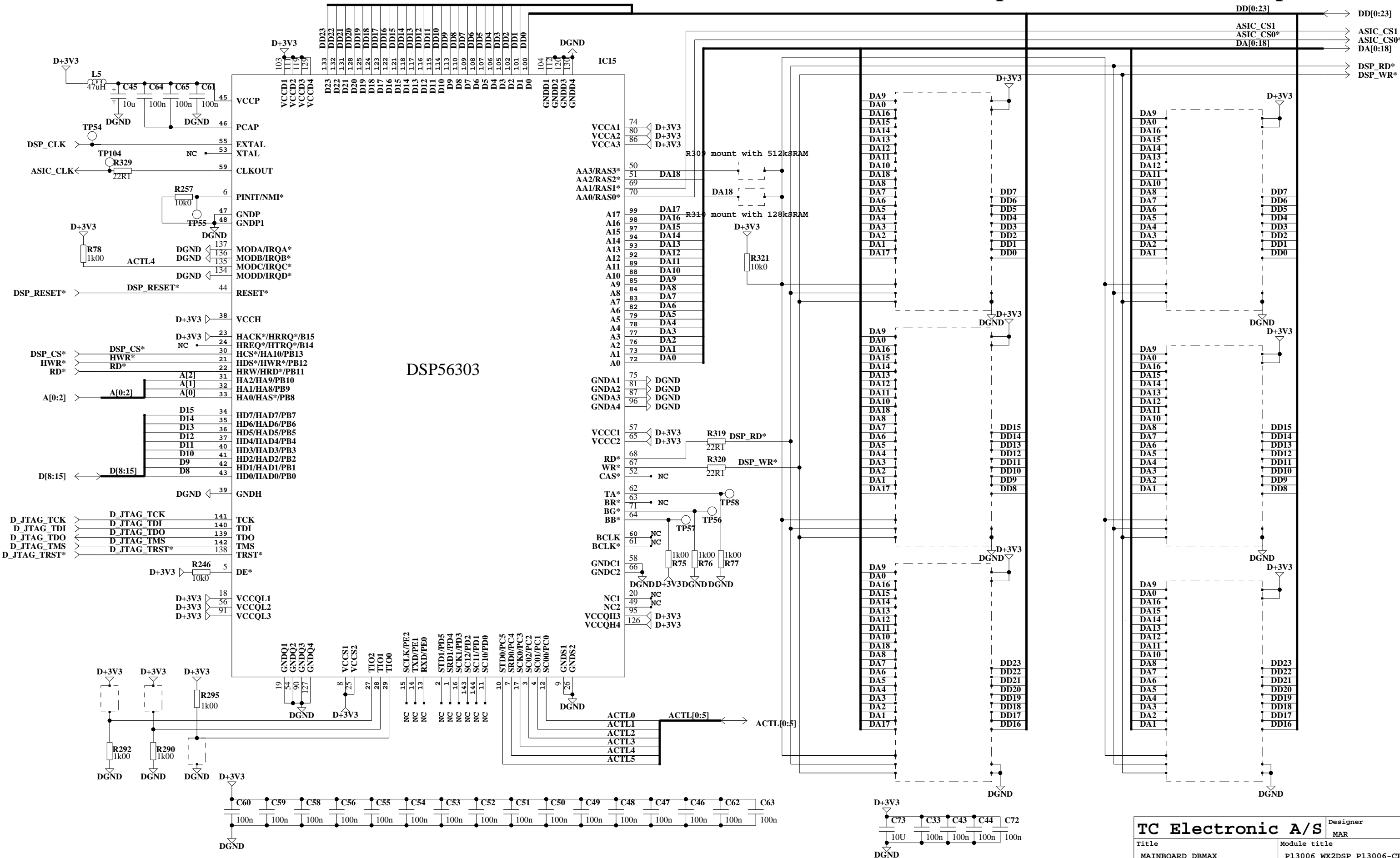
SYNC IN

<b>TC Electronic A/S</b>		Designer MAR
Title MAINBOARD DEMAX		Module title P13006 WX2DGI P13006-CB_1
Number P13006	Revision CBC	Previous page 1
Date 2-1-2008 21:12	Filename	Page / of 1 / 15

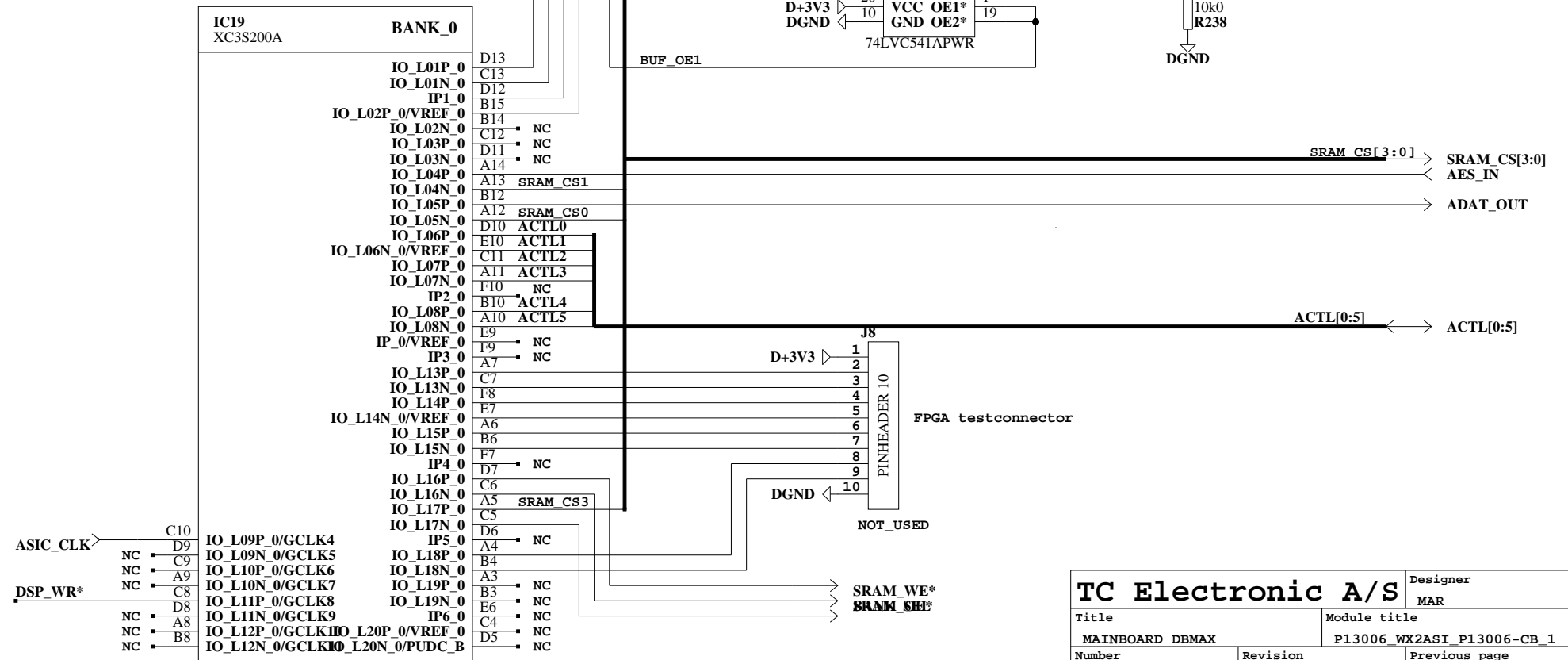
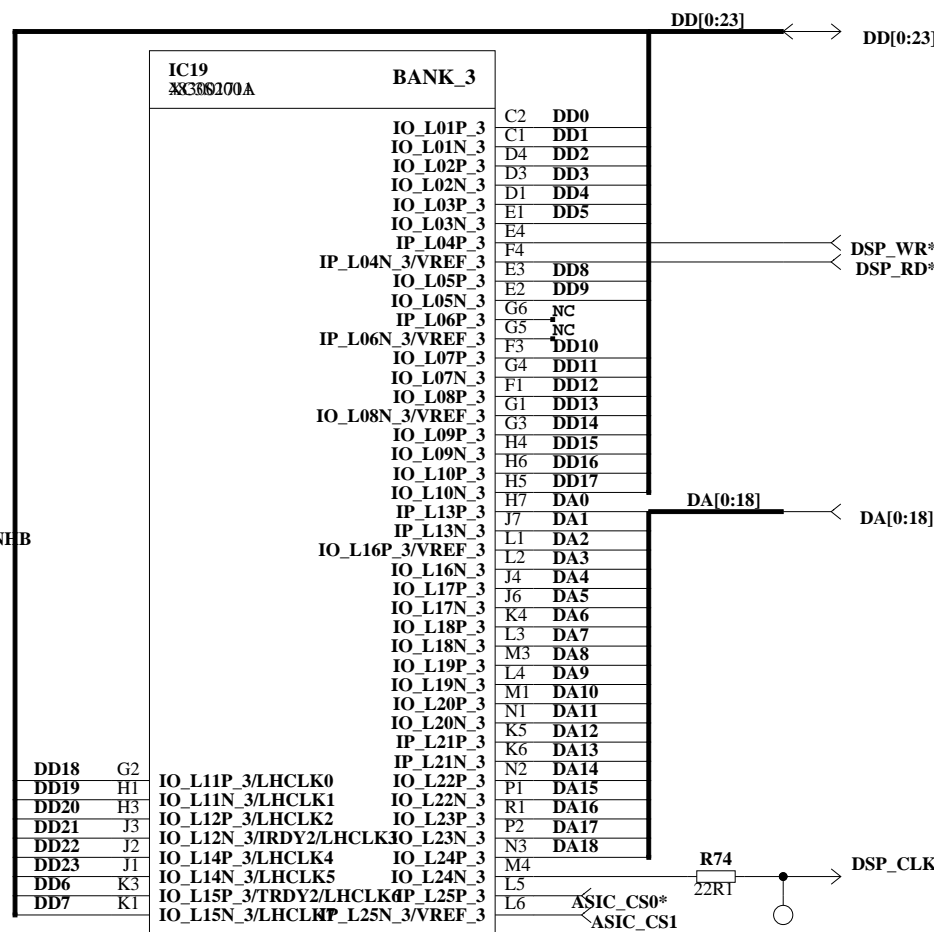
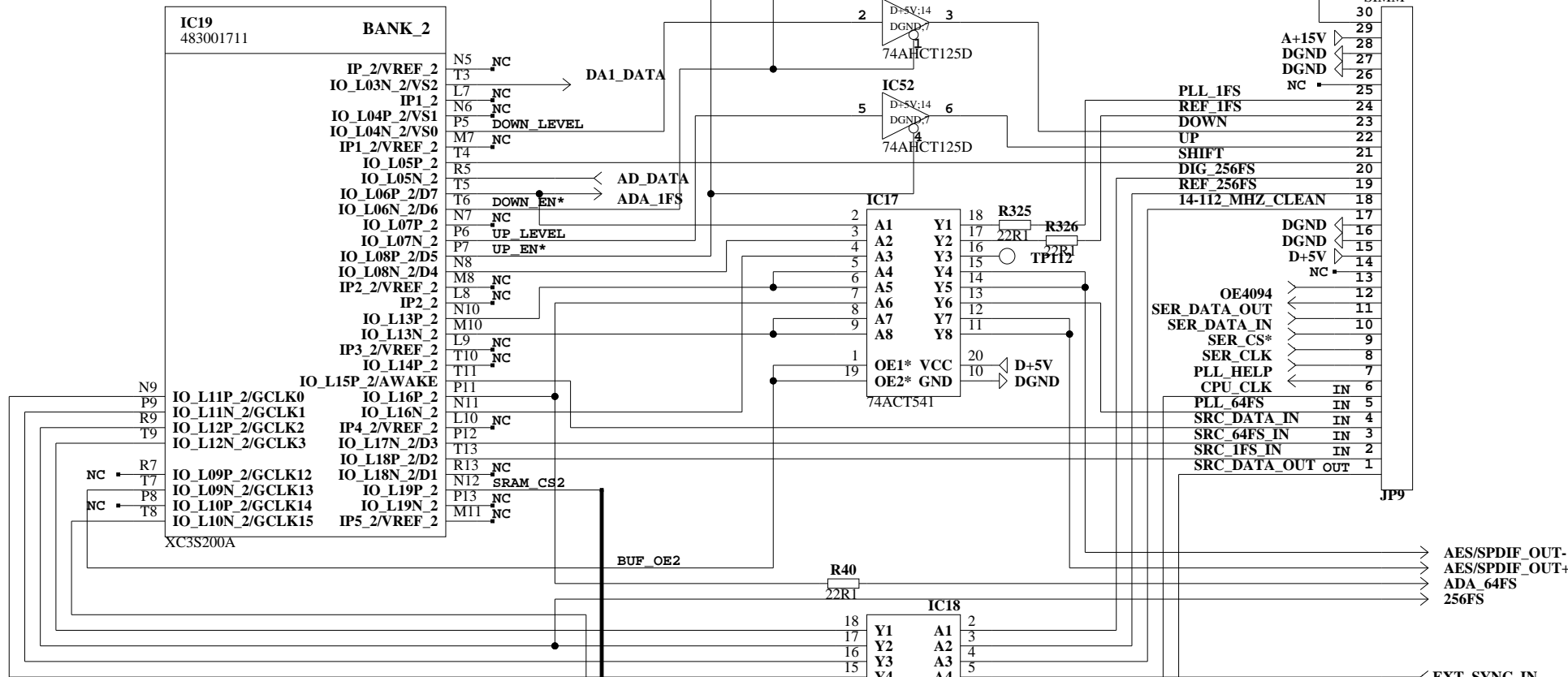
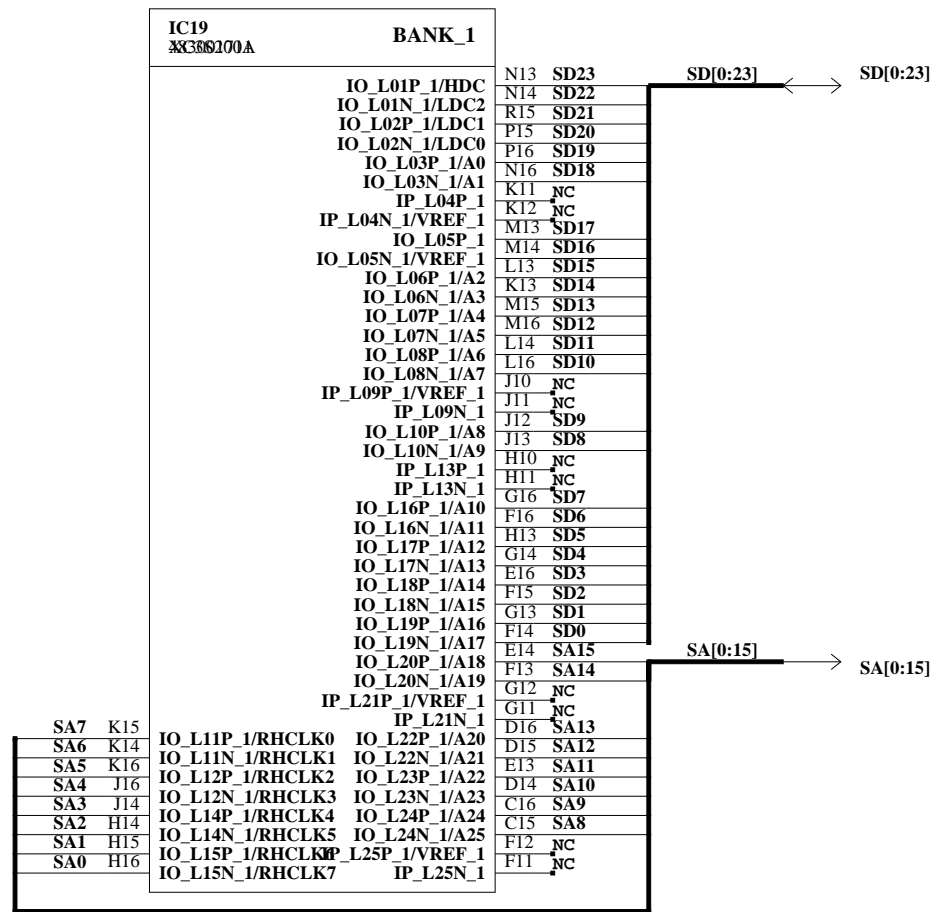


# 512k SRAM option

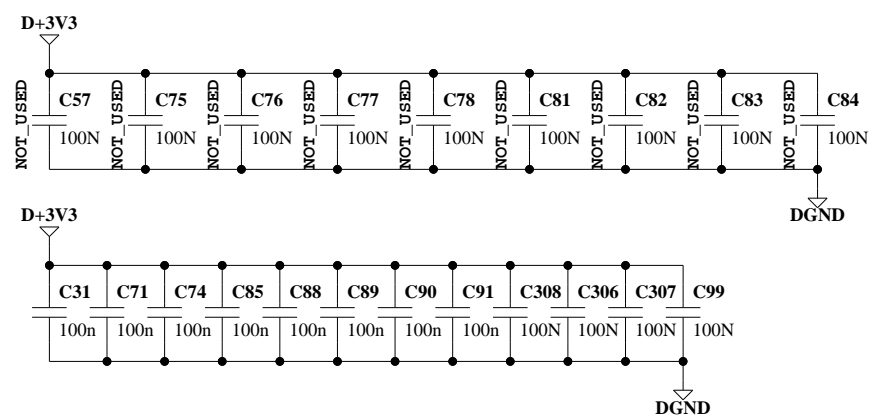
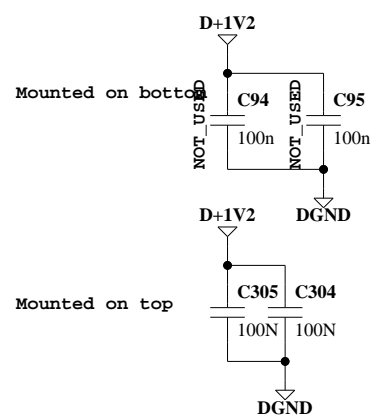
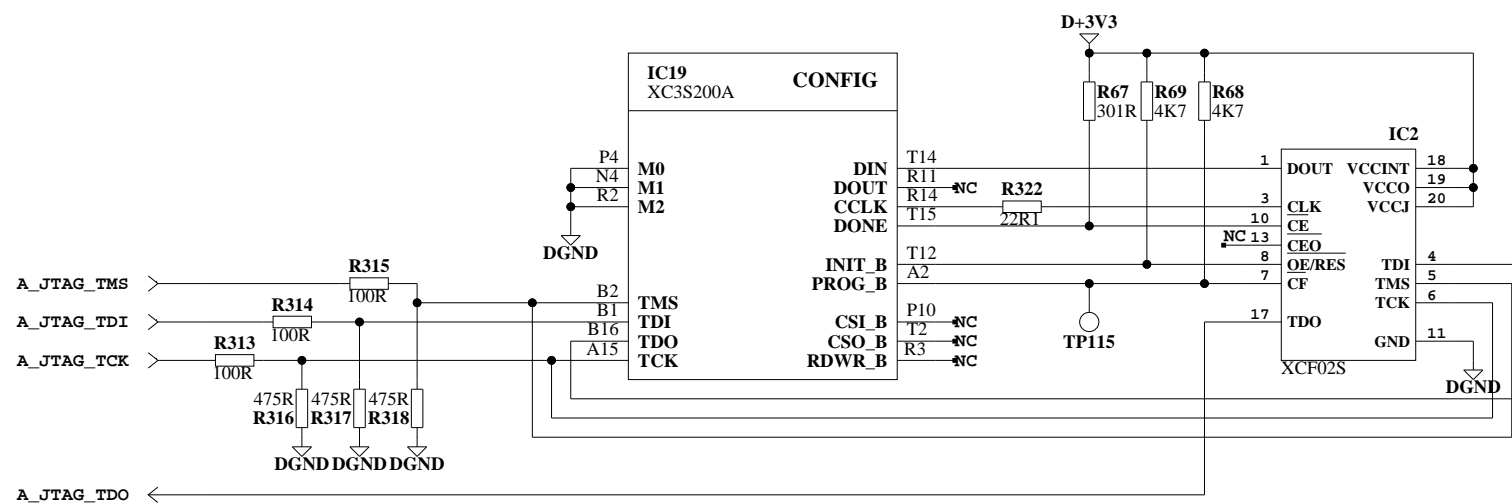
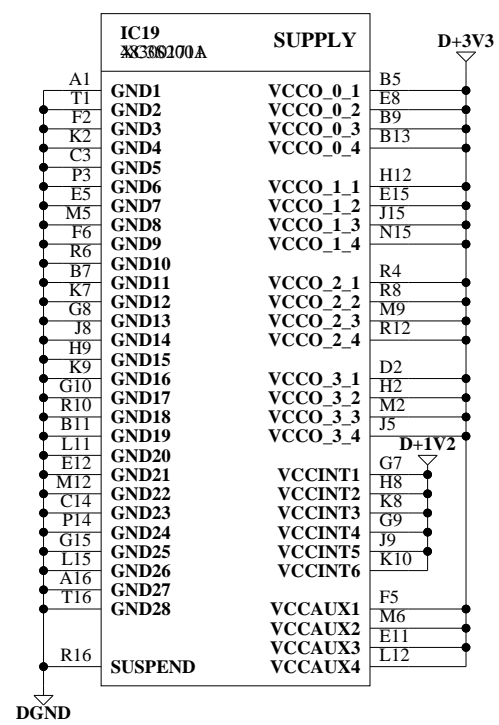
# 128k SRAM option



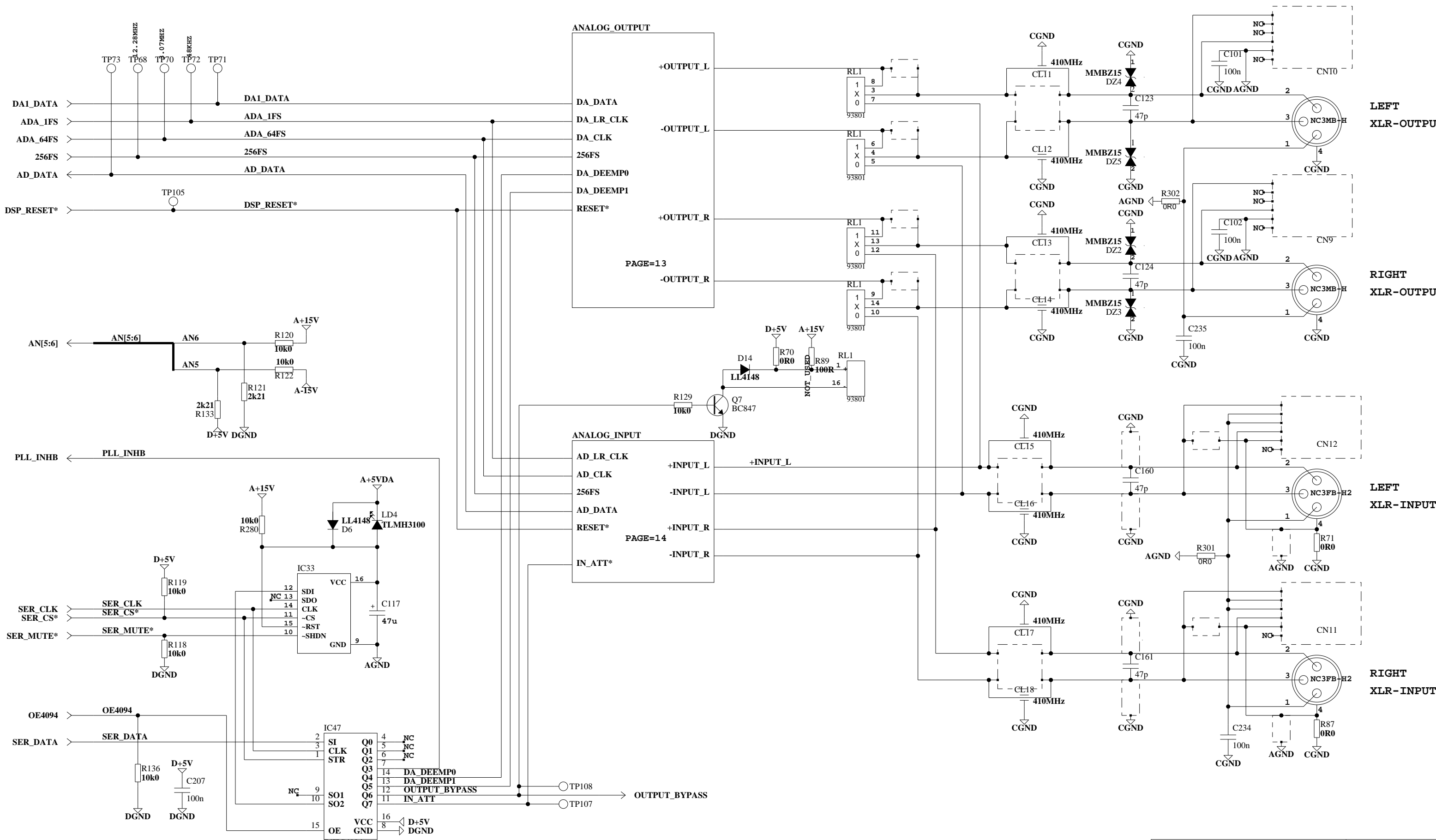
<b>TC Electronic A/S</b>		Designer MAR
Title MAINBOARD DEMAX		Module title P13006 WX2DSP P13006-CB_1
Number P13006	Revision CBC	Previous page 1
Date 2-1-2008 21:12	Filename	Page / of 1 / 15



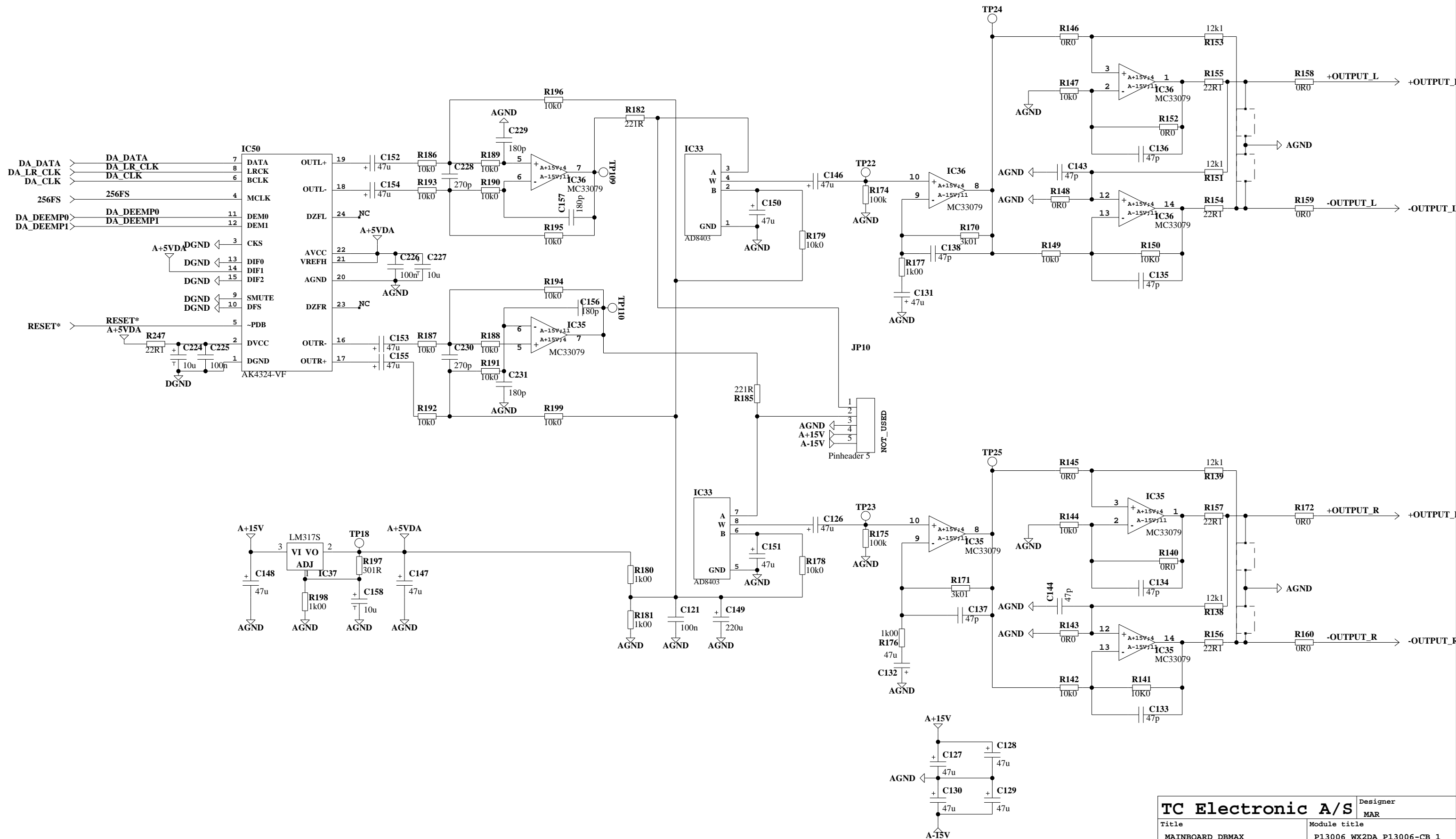
<b>TC Electronic A/S</b>		Designer MAR
Title MAINBOARD DEMAX	Module title P13006_WX2ASI_P13006-CB_1	
Number P13006	Revision CBC	Previous page 1
Date 2-1-2008 21:12	Filename	Page / of 1 / 15



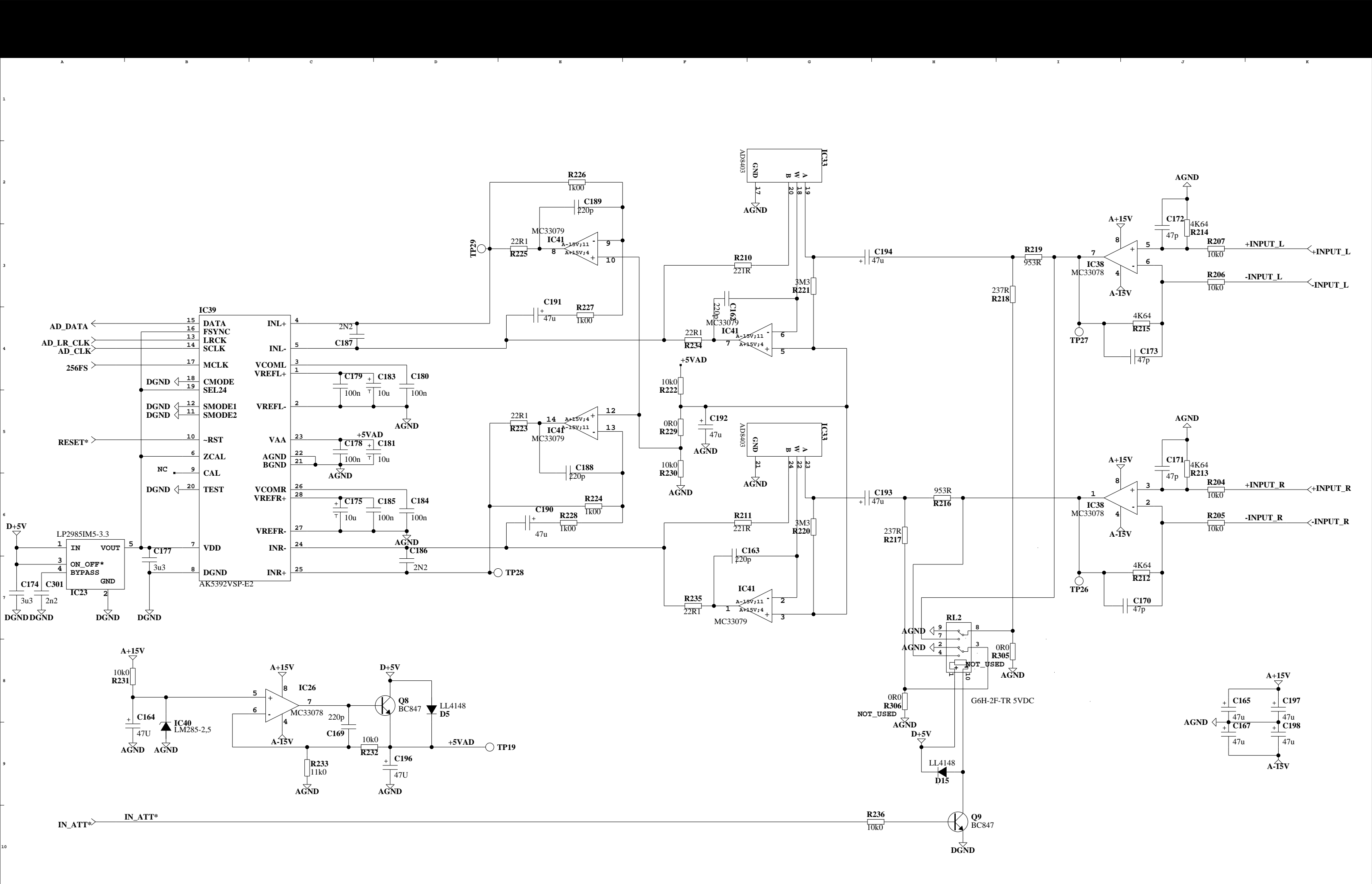
<b>TC Electronic A/S</b>		Designer MAR
Title MAINBOARD DEMAX		Module title P13006 WX2ASI P13006-CB_1
Number P13006	Revision CBC	Previous page 1
Date 2-1-2008 21:12	Filename	Page / of 1 / 15



<b>TC Electronic A/S</b>		Designer MAR
Title MAINBOARD DEMAX	Module title P13006 WX2ADA P13006-CB_1	
Number P13006	Revision CBC	Previous page 1
Date 2-1-2008 21:12	Filename	Page / of 1 / 15



<b>TC Electronic A/S</b>		Designer MAR
Title MAINBOARD DEMAX		Module title P13006_WX2DA_P13006-CB_1
Number P13006	Revision CBC	Previous page 1
Date 2-1-2008 21:12	Filename	Page / of 1 / 15



<b>TC Electronic A/S</b>		Designer MAR
Title MAINBOARD DEMAX		Module title P13006_WX2AD_P13006-CB_1
Number P13006	Revision CBC	Previous page 1
Date 2-1-2008 21:12	Filename	Page / of 1 / 15

