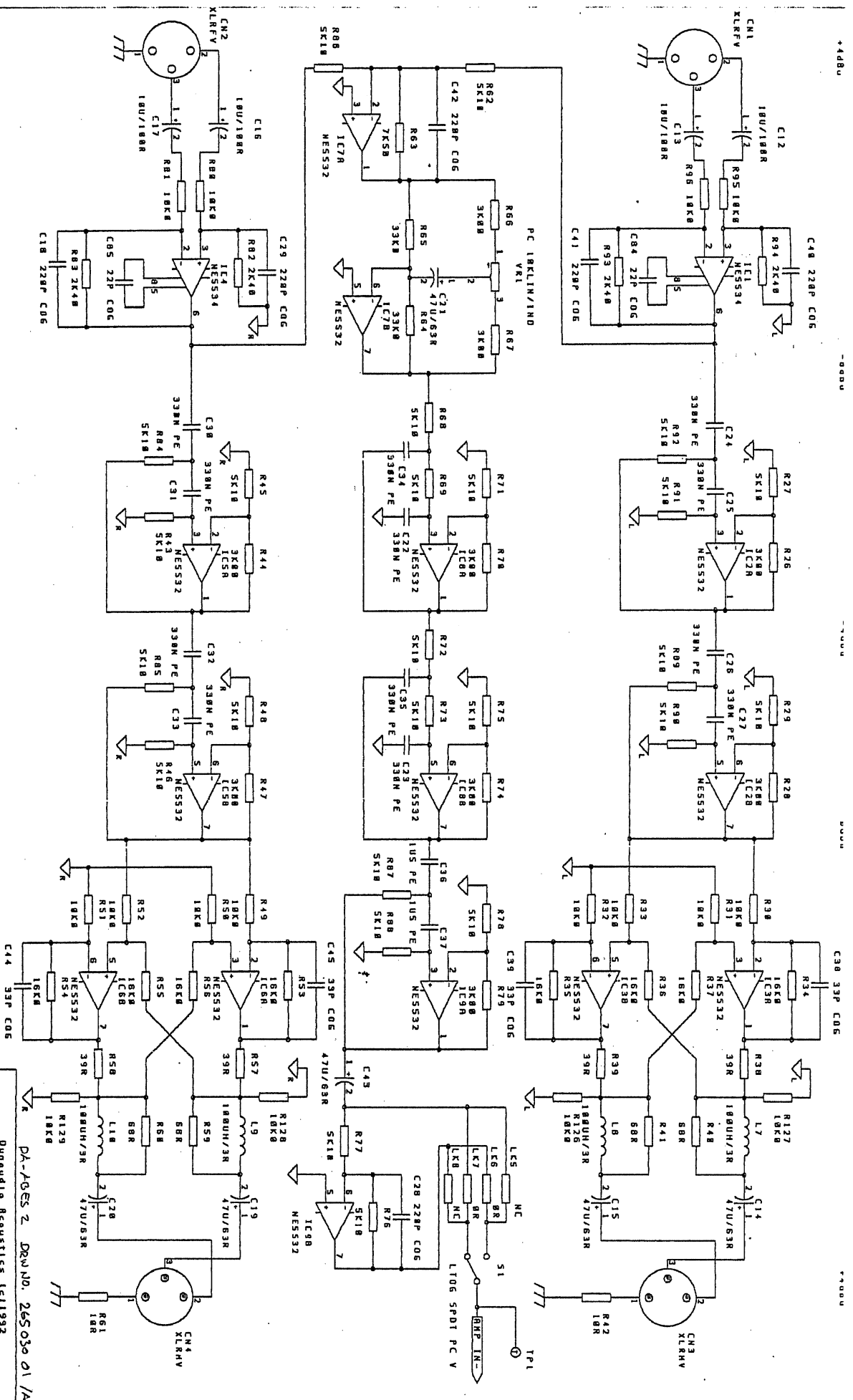


LINK
 150K 100P5-5CH
 150K 100P5-5CH
 150K 100P5-5CH

DA-AGE22 DRAWING NO. 265 030 /A

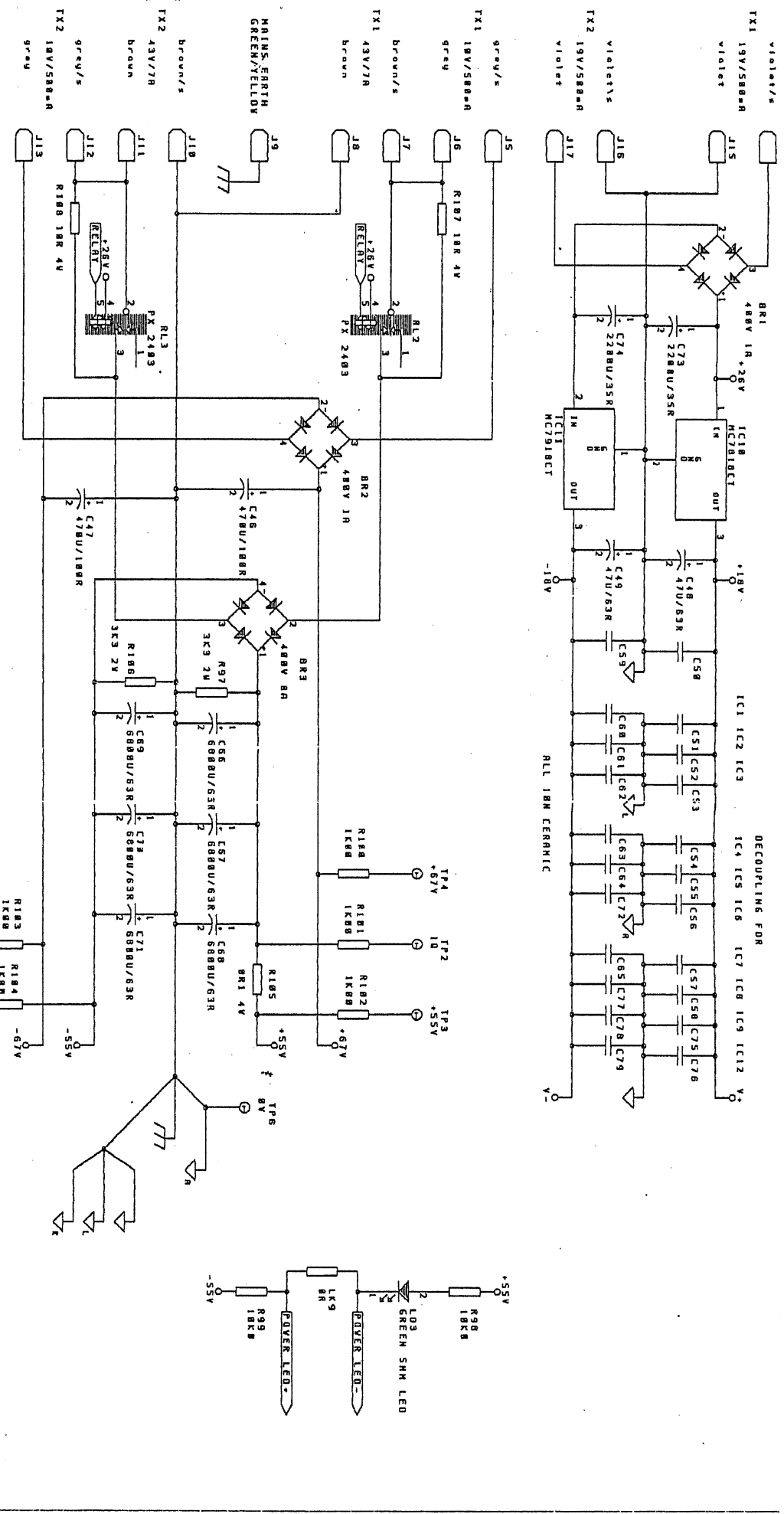
Dunaldia Reoustics LC11992
 5441 1944 15.
 OK-8808 Skanderberg.
 Danneberg
 Tel. 45 88 52 34 11

TT110	SUBWOOFER POWER AMPLIFIER
Size	Document Number
R3	508180P5-5CH
Date:	October 1, 1992 Sheet 1 of 1



PA-AGES 2 DRW NO. 265039 01/A
 Dynaudio Acoustics IC11992
 Svarigsmvej 15,
 DK-8668 Skanderborg,
 Denmark
 Tel 45 86 52 34 11

SUBWOOFER CROSSOVER
 Size Document Number 5081885.SCH
 REV 15
 Date: October 1 - 1997 Sheet 2 of 4



DA-A6ES 2 **PRINTING NO. 265030 02/A**

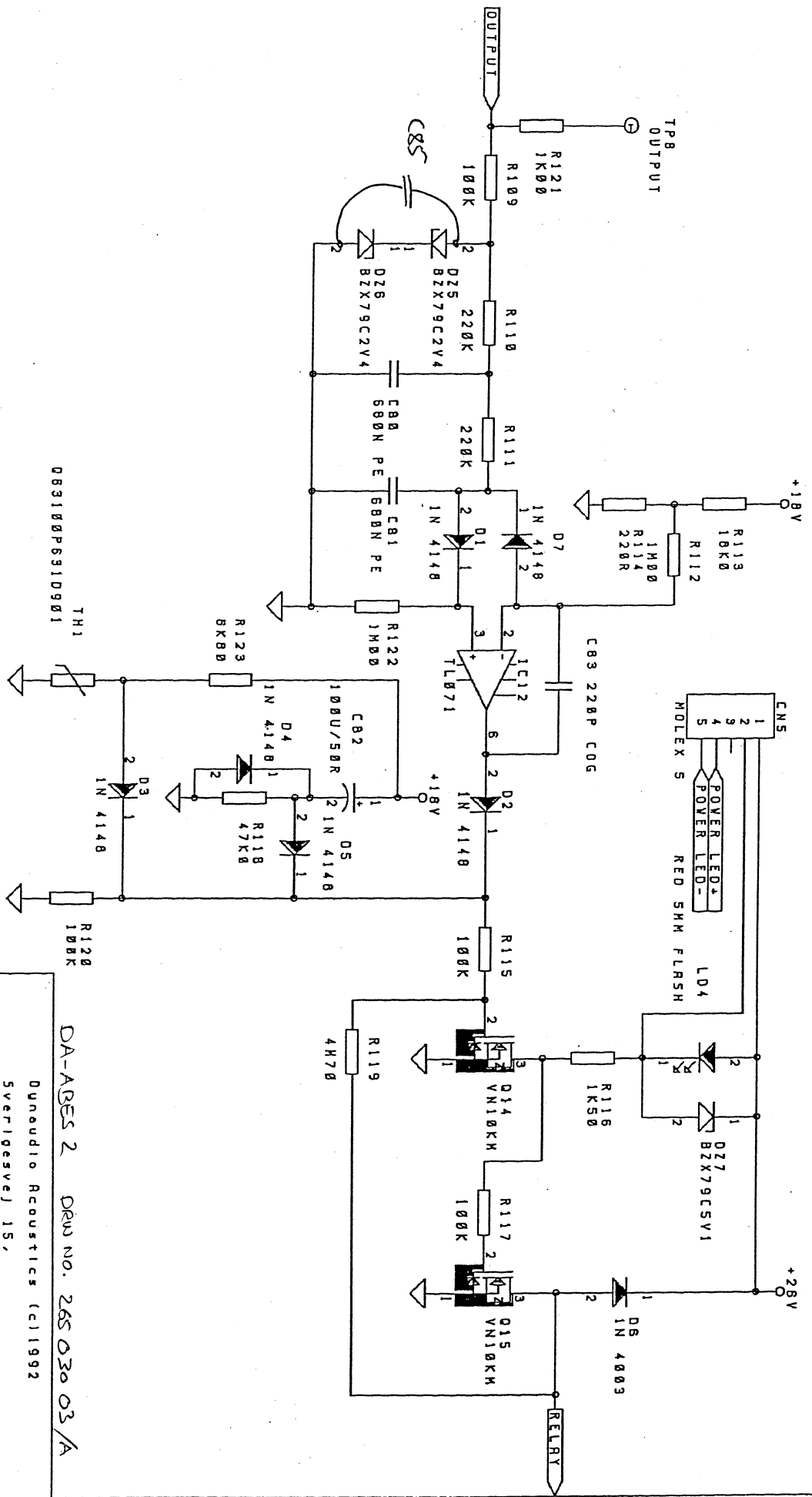
Dynaudio Requisites (c) 1992
 Sver-Igavej 15,
 DK-8660 Stenderborg,
 Denmark
 Tel 45 86 52 34 11

TITLE
 SUBWOOFER AMPLIFIER POWER SUPPLY

Size Document Number
 50818CPS.SCH

Date: September 5, 1992 **Sheet**: 3 of 4

REV
 45



083100P6910901 TH1

DA-ABES 2 DRW NO. 265 030 03/A

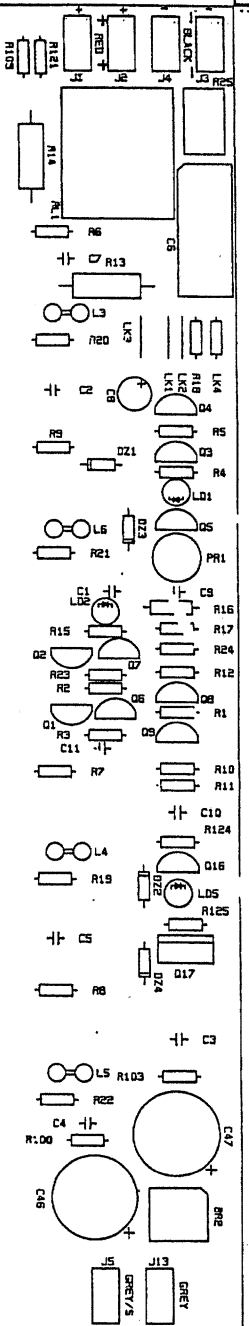
Dunodio Acoustics (c)1992

Sverigesvej 15,
DK-8660 Skanderborg,
Denmark
Tel 45 86 52 34 11

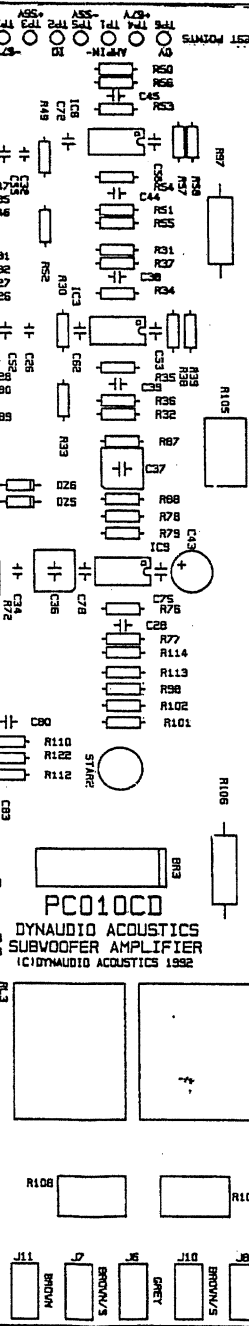
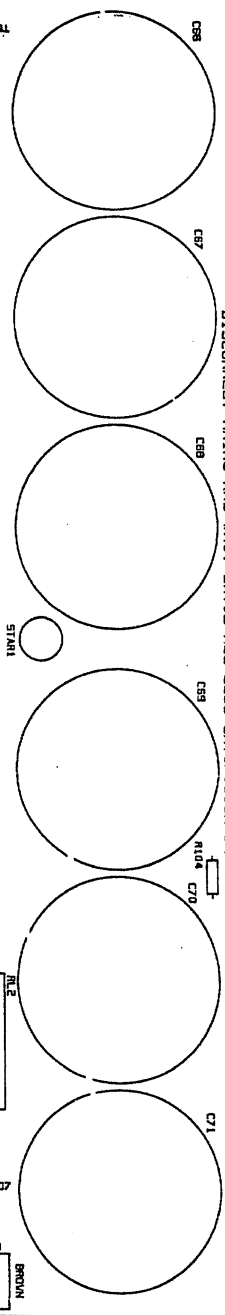
1111 SUBWOOFER AMPLIFIER PROTECTION CIRCUIT

Size Document Number 500100PS.SCH REV 15

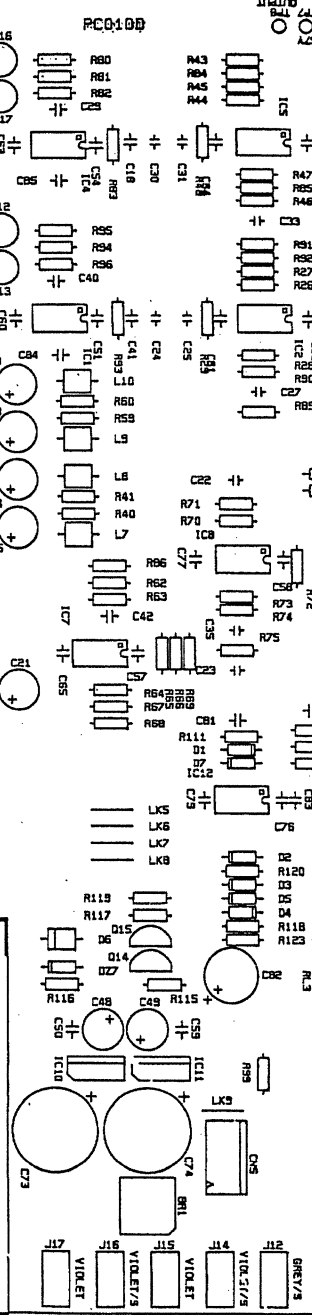
Date: September 5, 1997 Sheet 4 of 4



DANGER ELECTRIC SHOCK RISK +/- 75V DC.
 DISCONNECT MAINS AND WAIT UNTIL ALL LEADS EXTINGUISH BEFORE SERVICING



PC010CD
 DYNAUDIO ACOUSTICS
 SUBWOOFER AMPLIFIER
 © DYNAUDIO ACOUSTICS 1998



QUARTZ
 ACOUSTICS
 DESIGN

SPARKES
 DESIGN
 LIMITED
 0296 25901

GREEN/YELLOW

DA-ADCS 2
 DRAWING NO. 165 03006/A
 COMPONENT LAYER 1