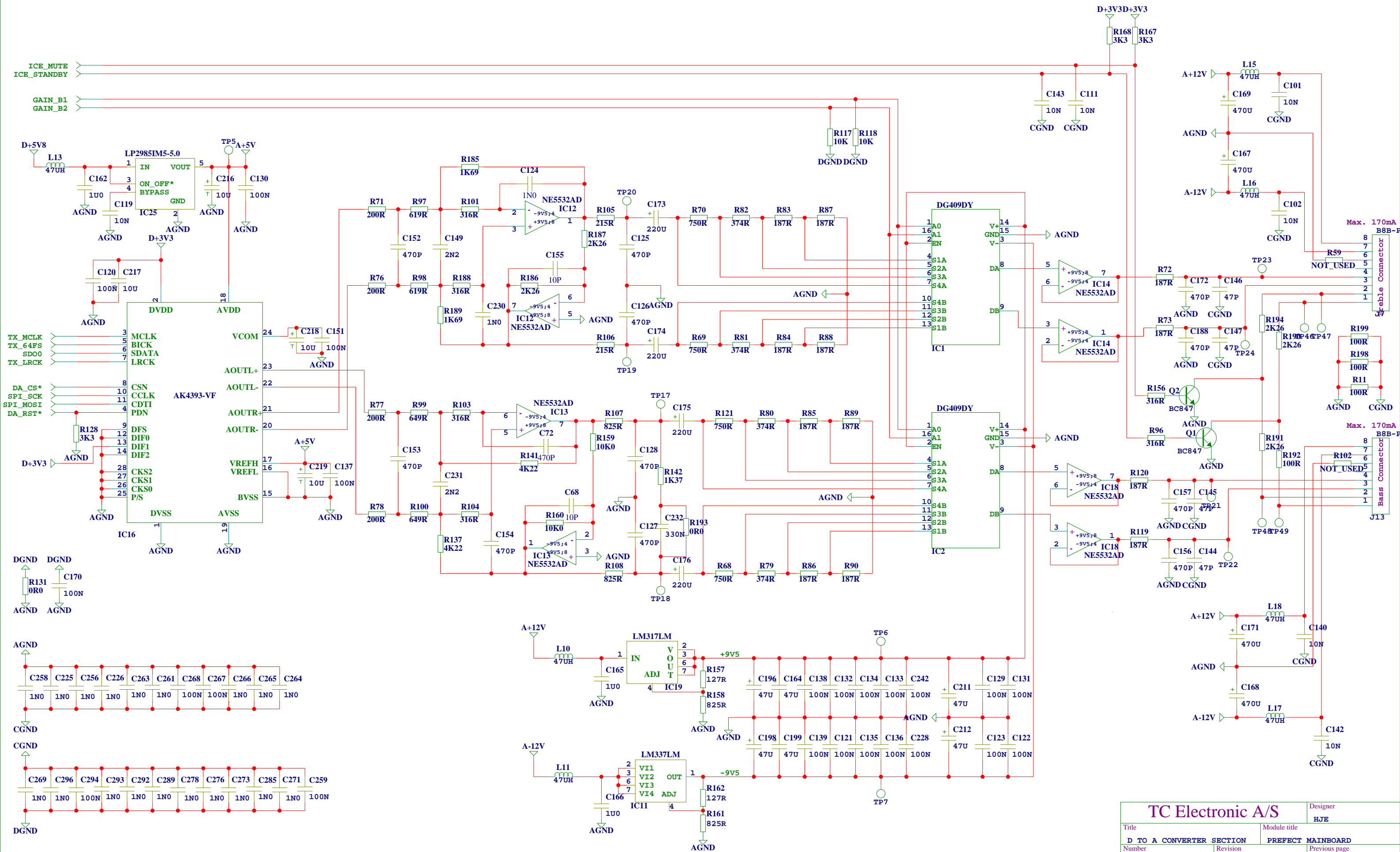
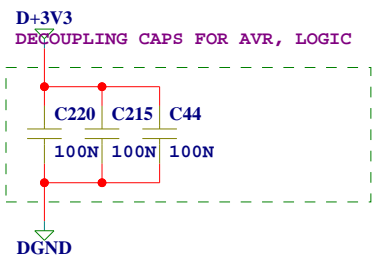
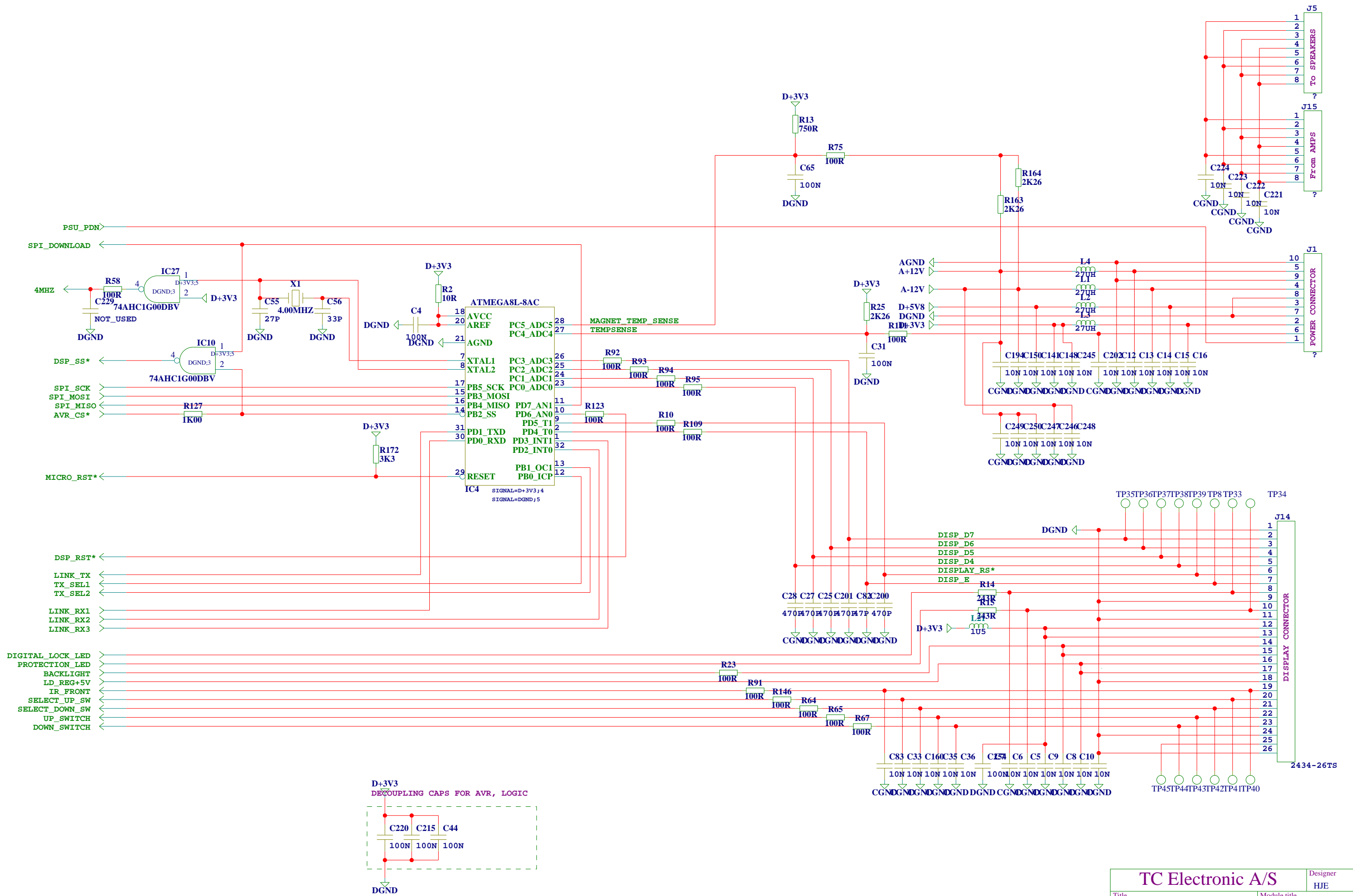


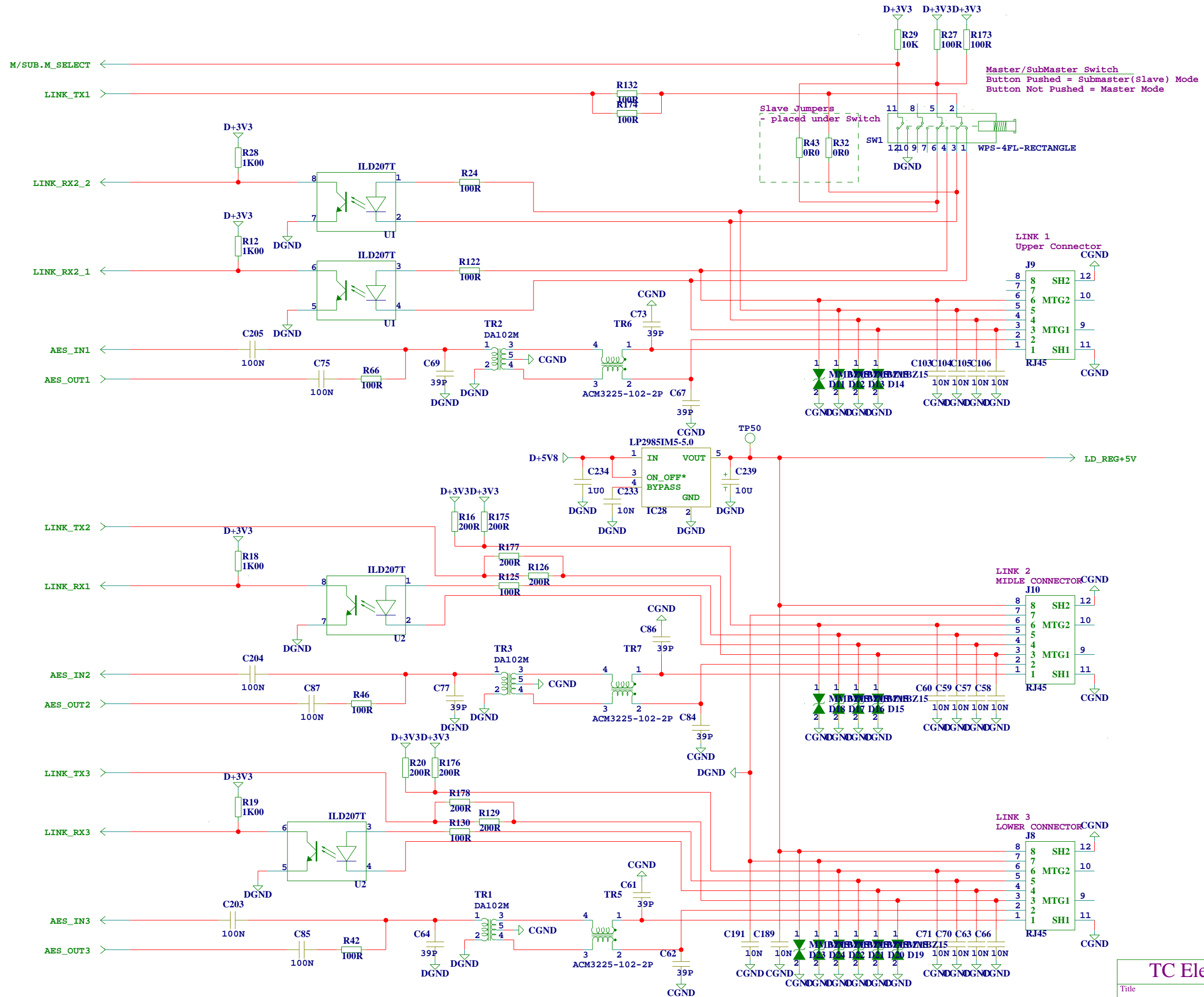
| | | |
|-------------------|-------------------|---------------|
| TC Electronic A/S | | Designer |
| | | HJE |
| Title | Module title | |
| OVERVIEW | PREFECT MAINBOARD | |
| Number | Revision | Previous page |
| P11000 | FAA | 0 |
| Date | Filename | Page / of |
| 4-1-2004 14:59 | P11000_D | 1 / 8 |



| | | | |
|---------------------------------|--------------------------|---------------|-----|
| TC Electronic A/S | | Designer | HJE |
| Title | Module title | | |
| D TO A CONVERTER SECTION | PREFECT MAINBOARD | | |
| Number | Revision | Previous page | |
| P11000 | FAA | 5 | |
| Date | Filename | Page / of | |
| 2-4-2005 15:16 | DAC | 6 / 8 | |

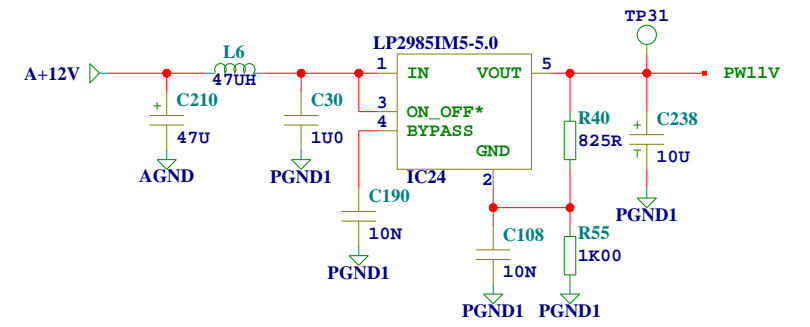
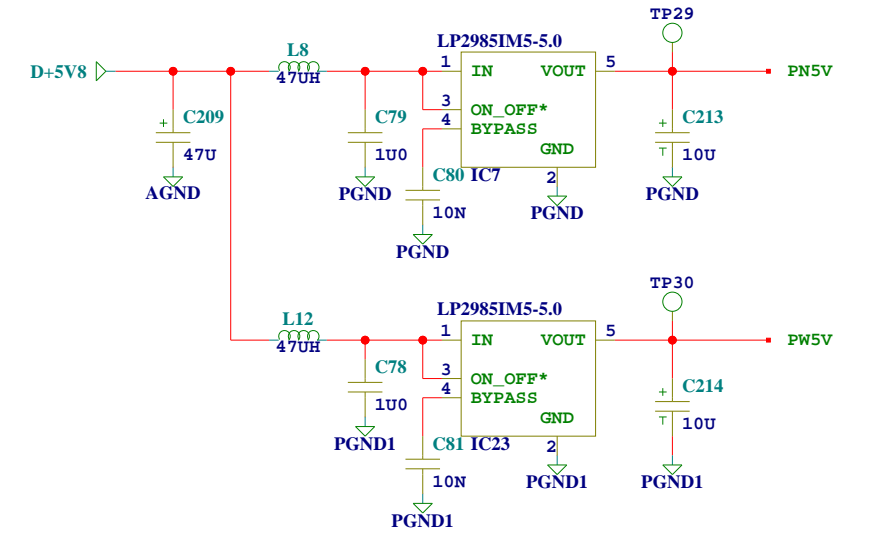
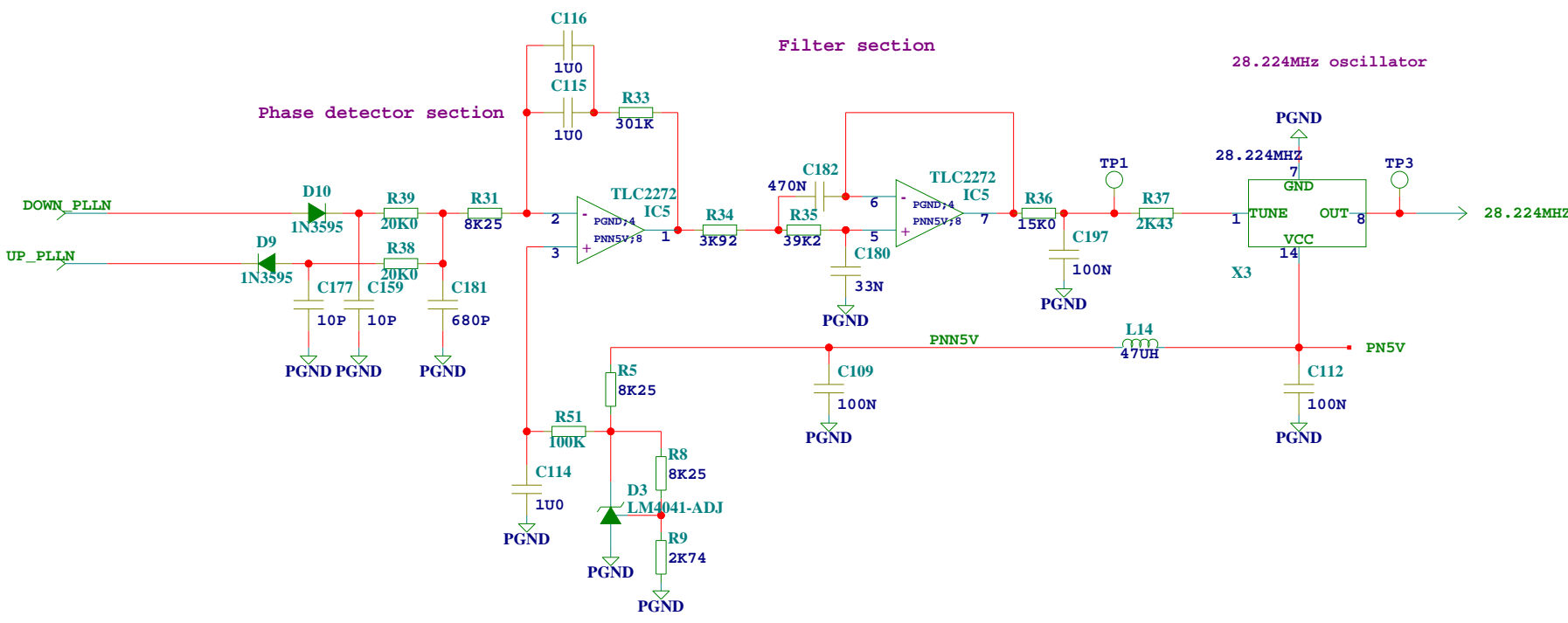


| | | |
|--------------------------|-----------------------------------|--------------------|
| TC Electronic A/S | | Designer HJE |
| Title AVR SECTION | Module title PREFECT MAINBOARD | |
| Number P11000 | Revision FAA | Previous page 2 |
| Date 2-4-2005_14:36 | Filename AVR | Page / of 3 / 8 |



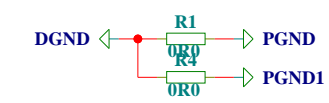
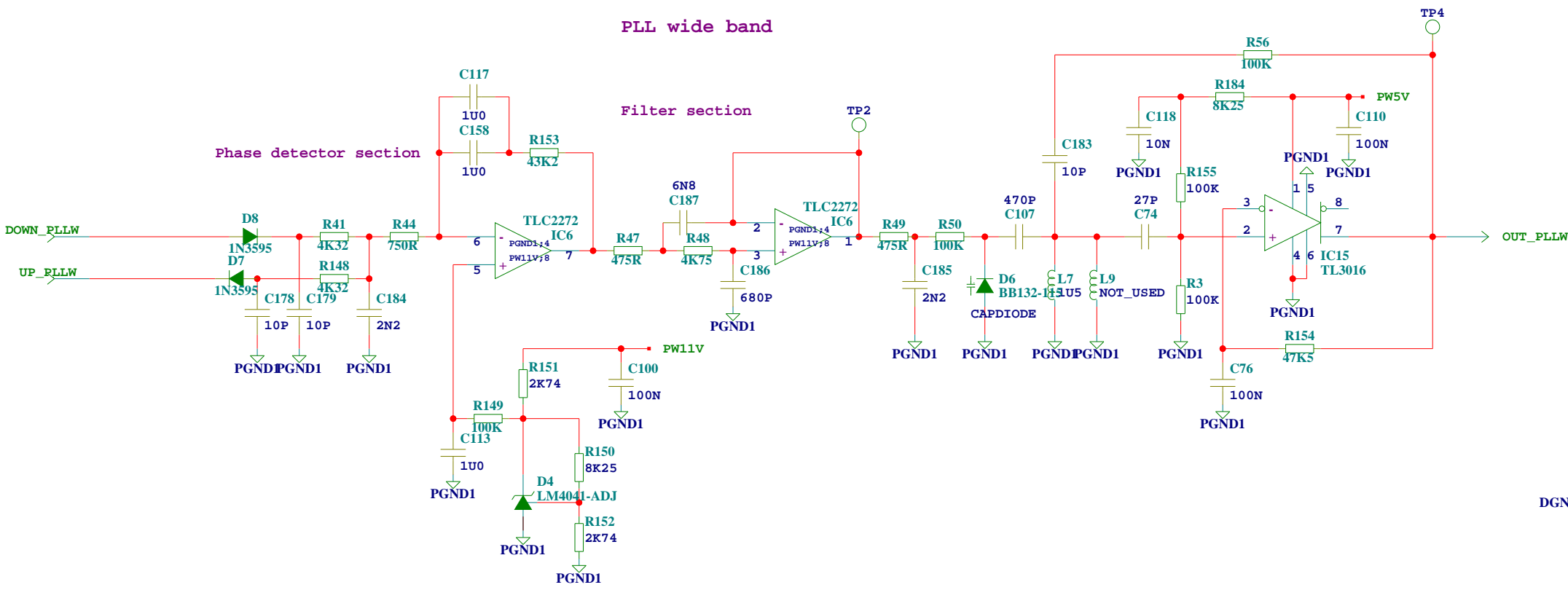
| | | |
|-------------------|-------------------------|-------------------|
| TC Electronic A/S | | Designer |
| HJE | | HJE |
| Title | LINK CONNECTION SECTION | Module title |
| Number | P11000 | PREFECT MAINBOARD |
| Date | 12-1-2004 15:17 | Revision |
| Filename | LINK | Previous page |
| Page / of | 5 / 8 | 4 |

PLL narrow band



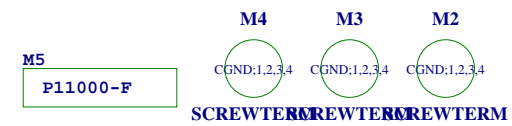
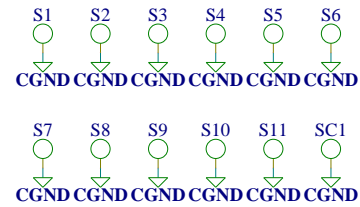
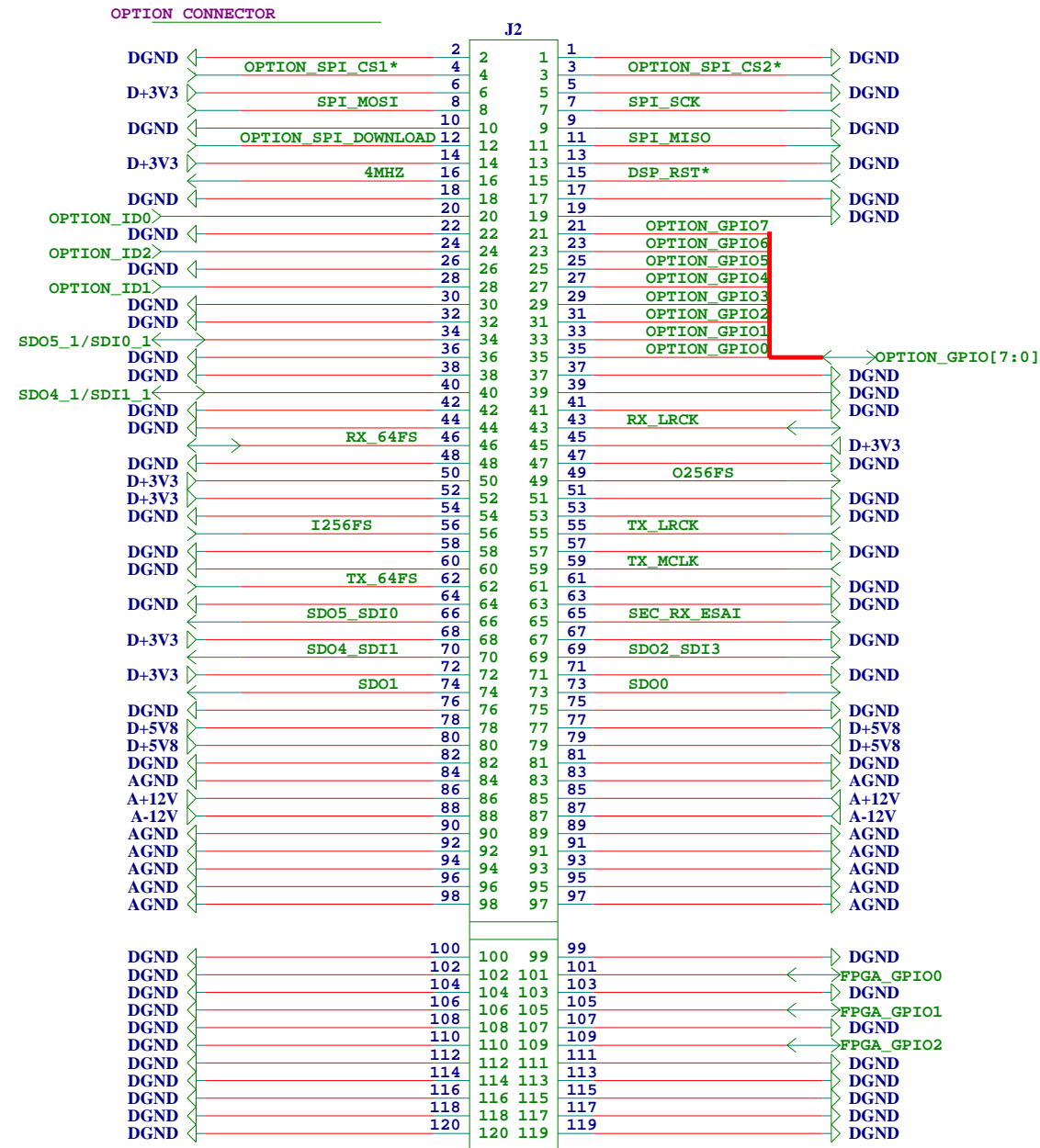
15 - 25 MHz oscillator

PLL wide band

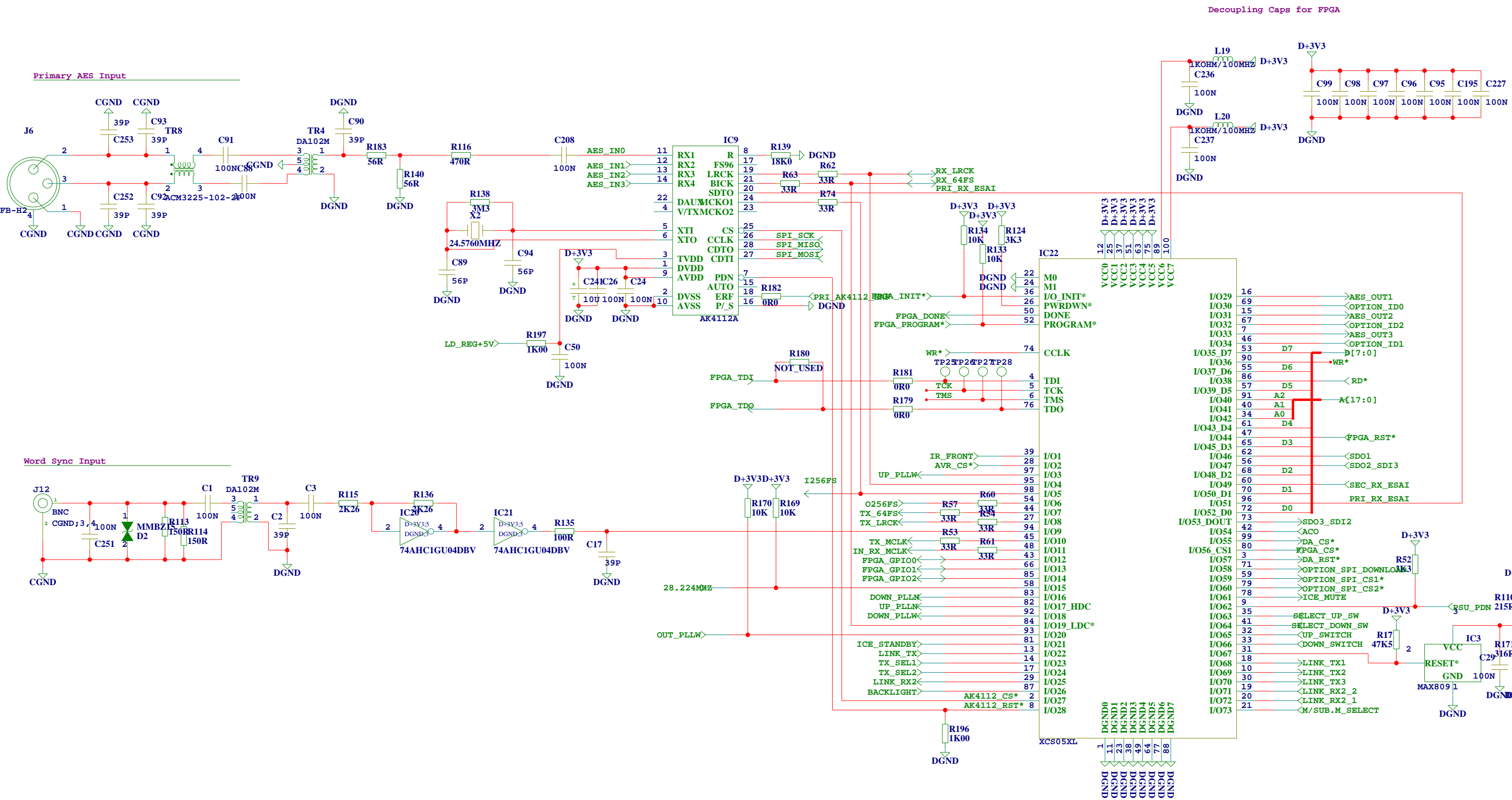


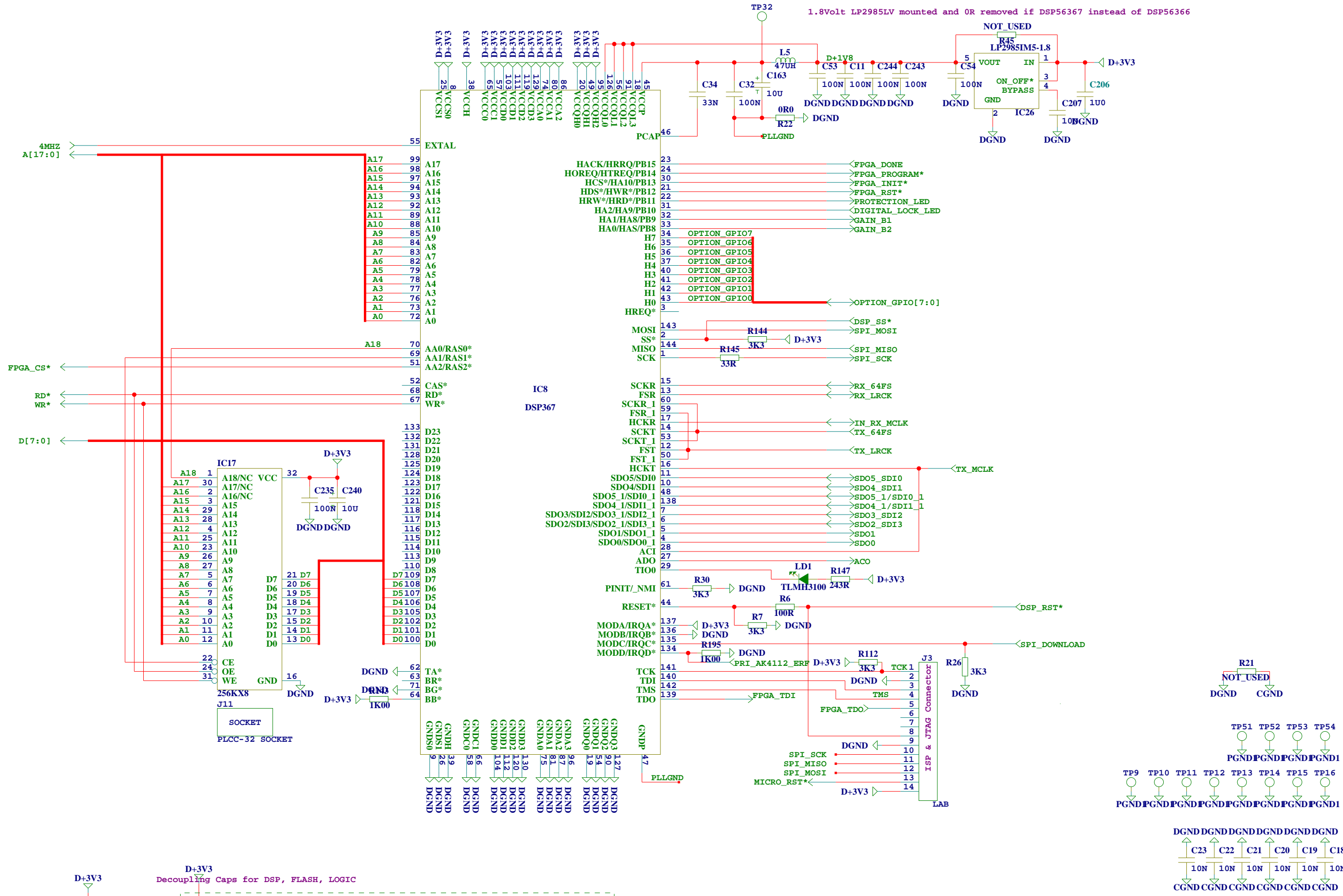
| | | |
|-------------------|-------------------|---------------|
| TC Electronic A/S | | Designer |
| | | CGF |
| Title | Module title | |
| PLL SECTION | PREFECT MAINBOARD | |
| Number | Revision | Previous page |
| P11000 | FAA | 6 |
| 2-2-2005 15:50 | PLL_CLK | Page / of |
| | | 7 / 8 |

NOTICE! Components on this sheet, are NOT mounted on a slave PCB



| | | |
|-----------------------------------|-----------------------------------|--------------------|
| TC Electronic A/S | | Designer HJE |
| Title OPTION CONNECTOR & MECH. | Module title PREFECT MAINBOARD | |
| Number P11000 | Revision FAA | Previous page 7 |
| Date 2-4-2005_13:31 | Filename MECH_CON | Page / of 8 / 8 |





TC Electronic A/S

| | | | |
|-----------------------------|------------------------|--|--------------------------------|
| Title DSP SECTION | | Module title PREFECT MAINBOARD | |
| Number P11000 | Revision FAA | Previous page 1 | Date 1-27-2005 11:42 |
| Designer HJE | | Page / of 2 / 8 | |