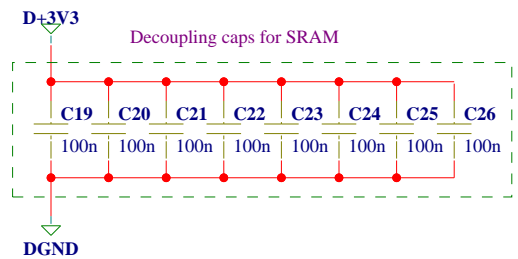
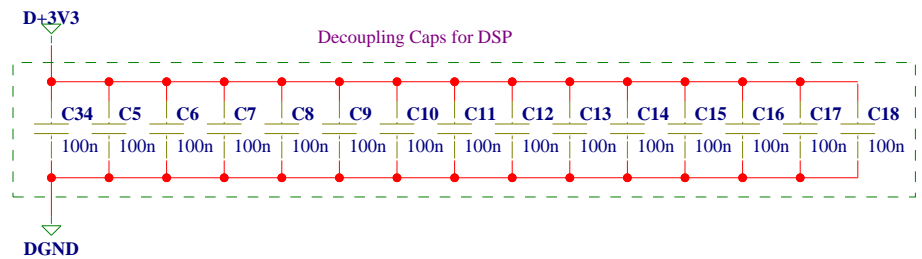
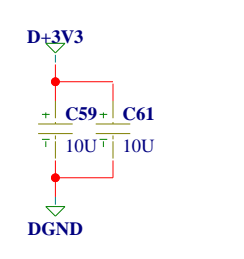
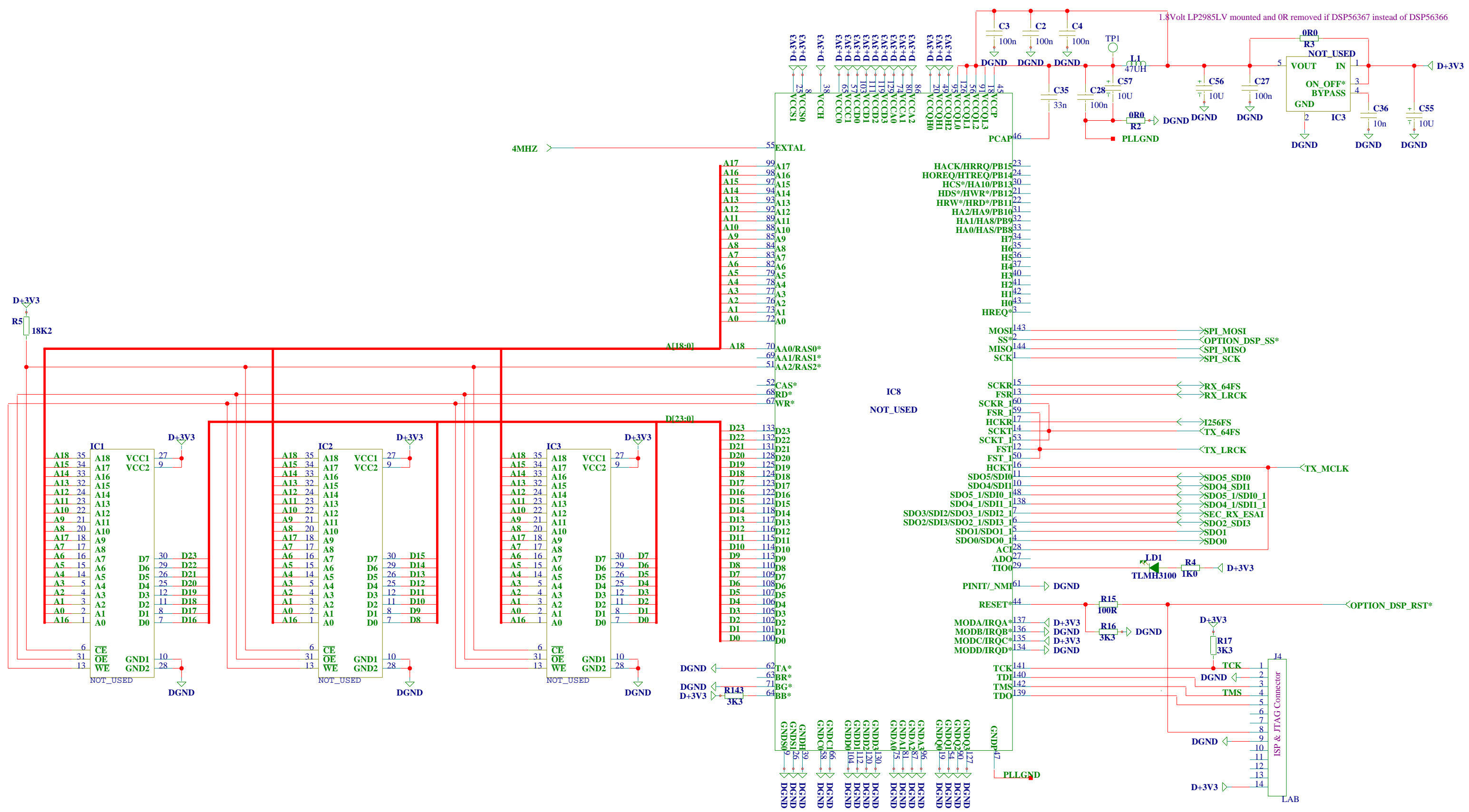
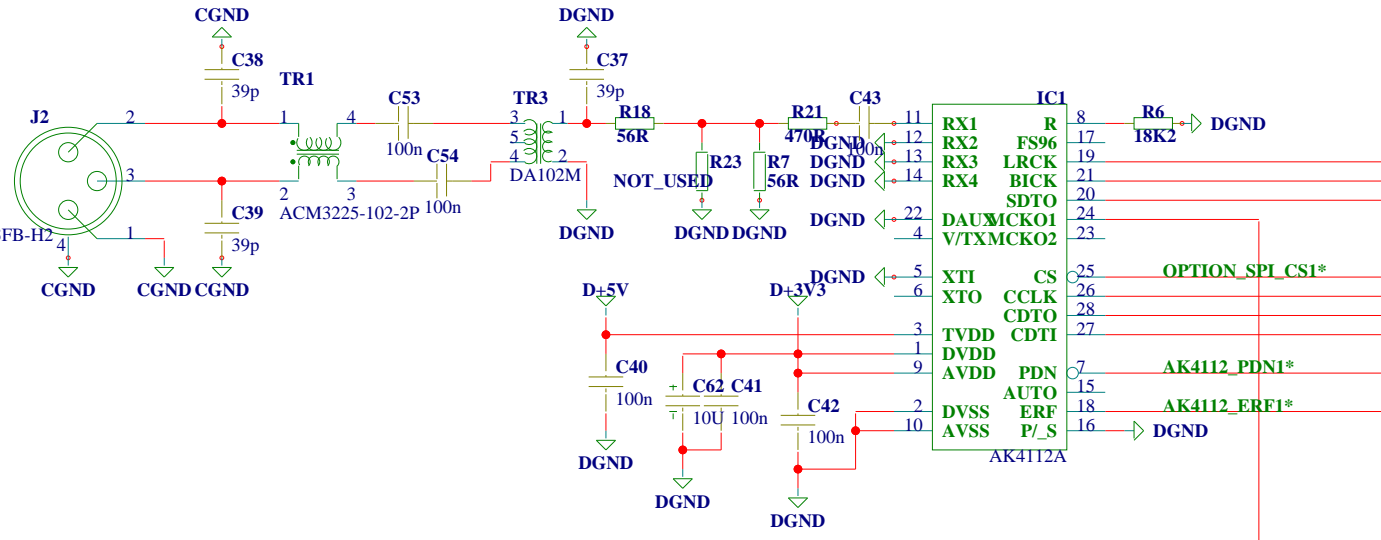


TC Electronic A/S		Designer HJE/MC
Title PREFECT AES OPTION		Module title MAIN SHEET
Number 11502	Revision BAB	Previous page 0
Date 11-5-2001 10:25	Filename P11502-B	Page / of 1 / 3



TC Electronic A/S		Designer	HJE/MC
Title		Module title	
PREFECT AES MODULE		DSP SECTION	
Number	Revision	Previous page	
11502	BAB	1	
Date	Filename	Page / of	
11-5-2001 10:25	DSP	2 / 3	

AES INPUT 2 (Upper XLR)



AES INPUT 3 (Lower XLR)

