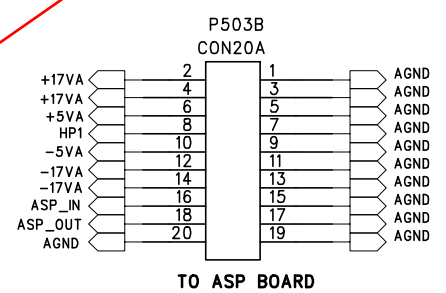
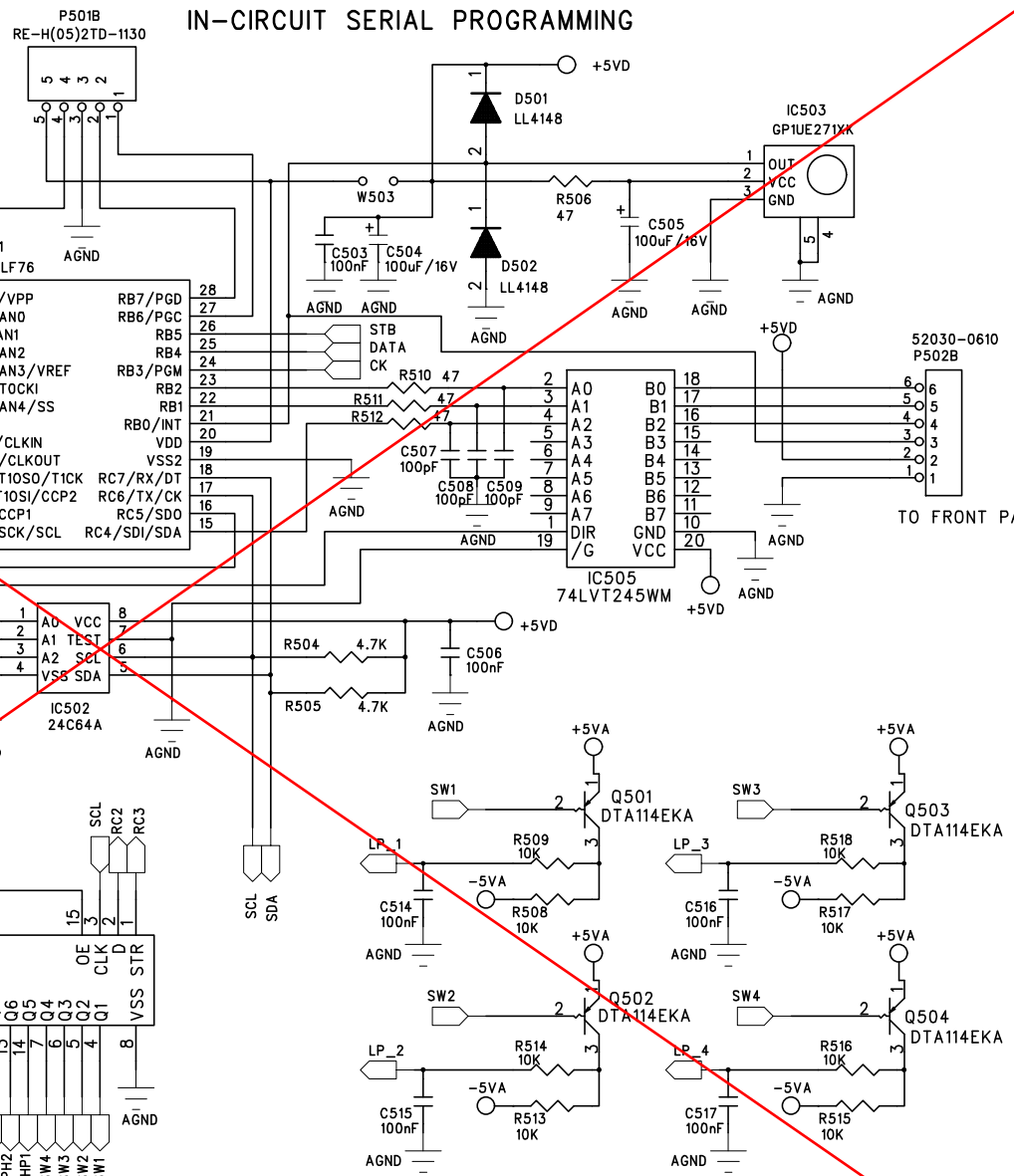
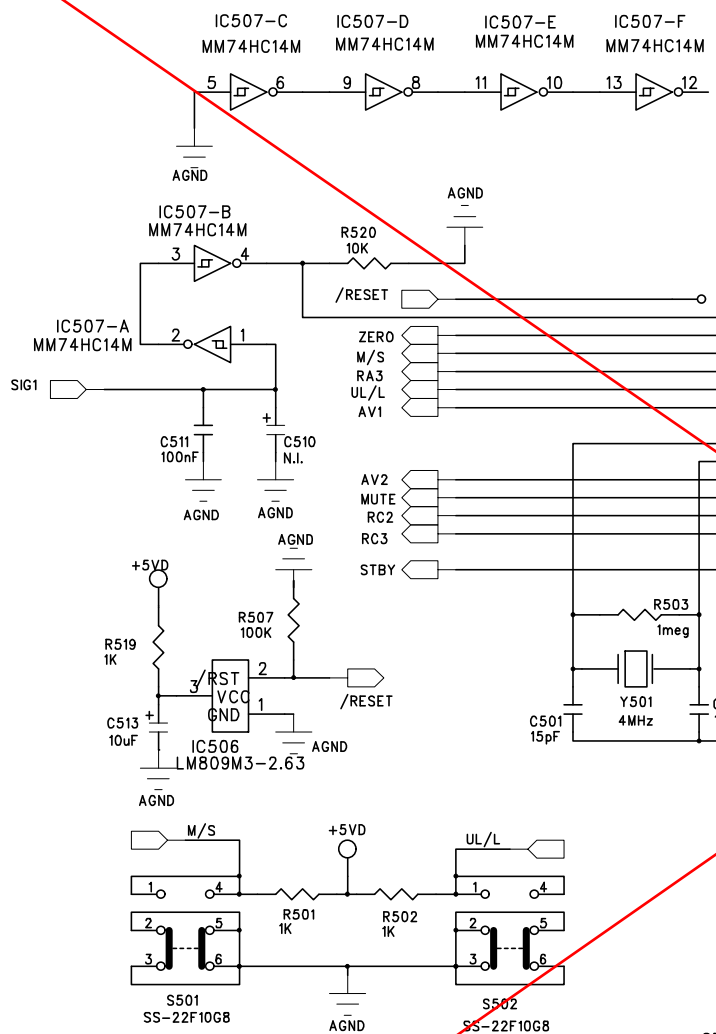
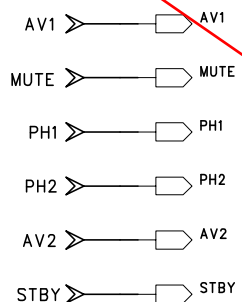


All capacitors in 50V unless noted.

REV.	ECN No.	DESCRIPTION	Date	APPRO.

Hansong (Nanjing) Electronics Ltd.			
THE INFORMATION CONTAINED IN THIS DRAWING IS THE SOLE PROPERTY OF HANSONG ENTERPRISES CO.,LTD. ANY REPRODUCTION IN PART OR WHOLE WITHOUT THE WRITTEN PERMISSION OF HANSONG ENTERPRISES CO.,LTD. IS PROHIBITED			
Document Number:	HS4-860_B007_V10.6-PHA.SCH	Sheet:	2/4
Project:	DYNAUDIO 860 SUBWOOFER AMPLIFIER	State:	MP
Drafted by:	Jerry Zheng	PL Checked by:	
Date:	March 10,2004	PTA Checked by:	
		Date:	



All capacitors in 50V unless noted.

RA2	STATE	RA4	STATE
1	MASTER	1	PRESET
0	SLAVE	0	PROTECT

JUMPER STATUS	CIRCUIT STATUS
OFF (W501, W503)	ICSP
ON (W501, W503)	WORK

REV.	ECN No.	DESCRIPTION	Date	APPRO.

Hansong (Nanjing) Electronics Ltd.

THE INFORMATION CONTAINED IN THIS DRAWING IS THE SOLE PROPERTY OF HANSONG ENTERPRISES CO.,LTD. ANY REPRODUCTION IN PART OR WHOLE WITHOUT THE WRITTEN PERMISSION OF HANSONG ENTERPRISES CO.,LTD. IS PROHIBITED

Document Number: HS4-860 B007 V10.6-MCU.SCH Sheet: 3/4

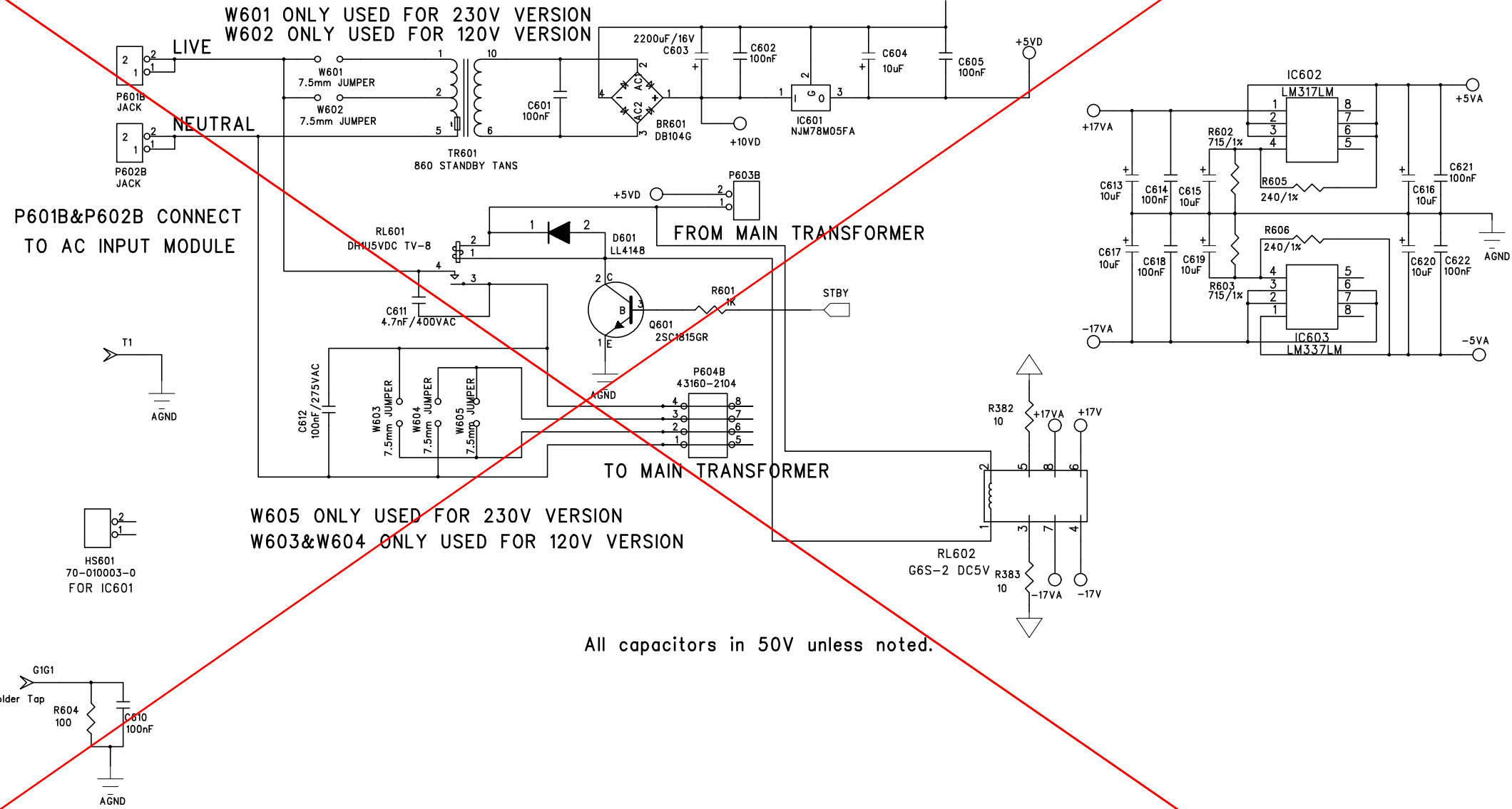
Project: DYNAUDIO 860 SUBWOOFER AMPLIFIER State: MP

Drafted by: Jerry Zheng
Date: March 10, 2004

PL Checked by: _____
Date: _____

PTA Checked by: _____
Date: _____

Approved by: _____
Date: _____




REV.	ECN No.	DESCRIPTION	Date	APPRO.

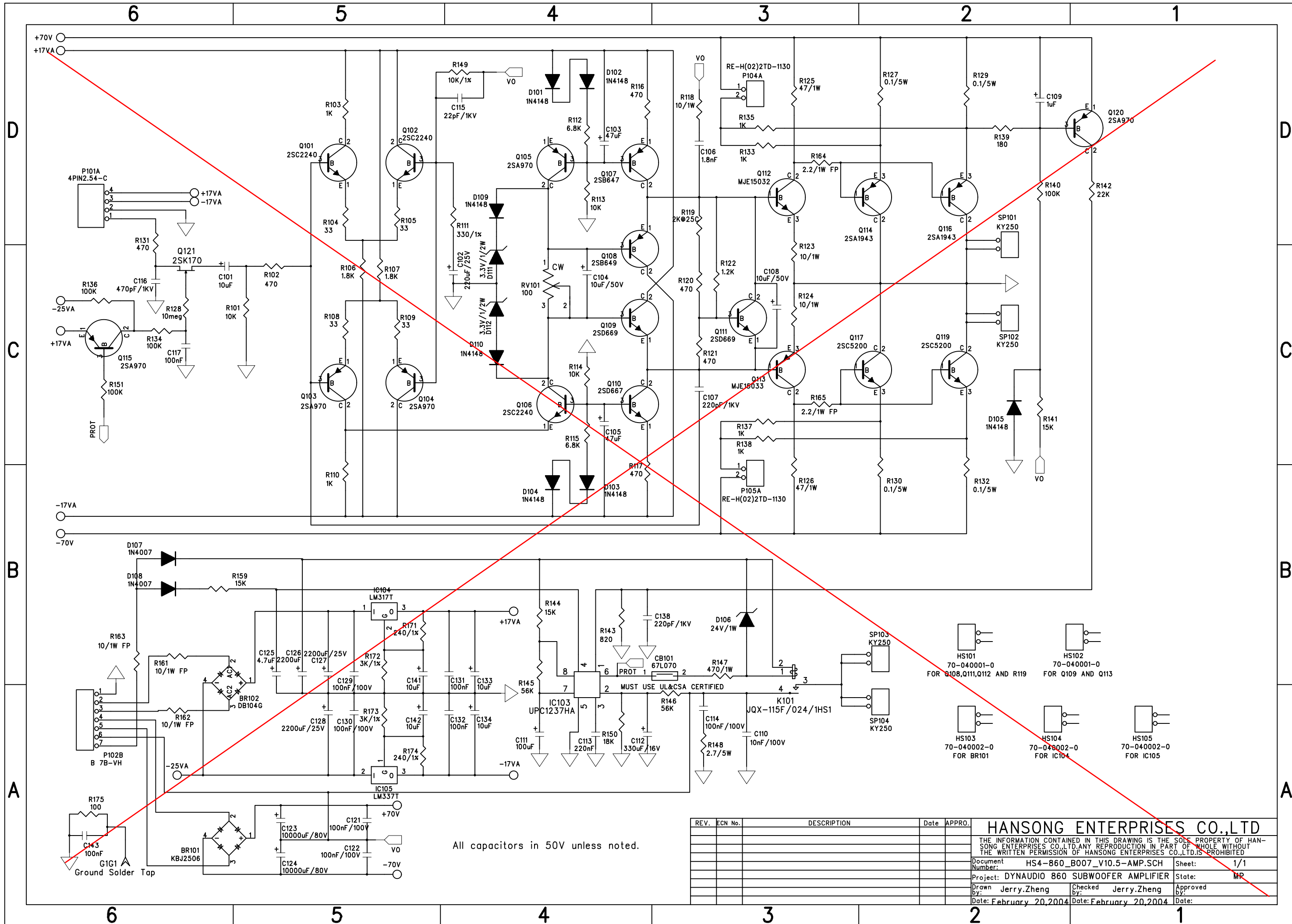
Hansong (Nanjing) Electronics Ltd.

THE INFORMATION CONTAINED IN THIS DRAWING IS THE SOLE PROPERTY OF HANSONG ENTERPRISES CO.,LTD. ANY REPRODUCTION IN PART OR WHOLE WITHOUT THE WRITTEN PERMISSION OF HANSONG ENTERPRISES CO.,LTD. IS PROHIBITED

Document Number:	HS4-860 B007 V10.6-POW.SCH	Sheet:	4/4
Project:	DYNAUDIO 860 SUBWOOFER AMPLIFIER	State:	MP
Drafted by:	Jerry Zheng	PL Checked by:	
Date:	March 10,2004	PTA Checked by:	
		Date:	
		Date:	
		Date:	

SEE NEXT PAGE FOR SCHEMATIC

EDITION	DESCRIPTION			ECR
CHANGED BY	_____ y _____	_____ z _____	DESIGNED: HANSONG	DRAWN: HANSONG
DATE/CORR.			CONTR.	APPR.
CONTR./APPR.				
		SUBJECT	DRAWING NO.	EDITION
		860 / POWERAMP	451515 02	A
FILENAME 45151502A_860amp.sch			SIZE A3	SHEET 1 OF 2



REV.	ECN No.	DESCRIPTION	Date	APPRO.

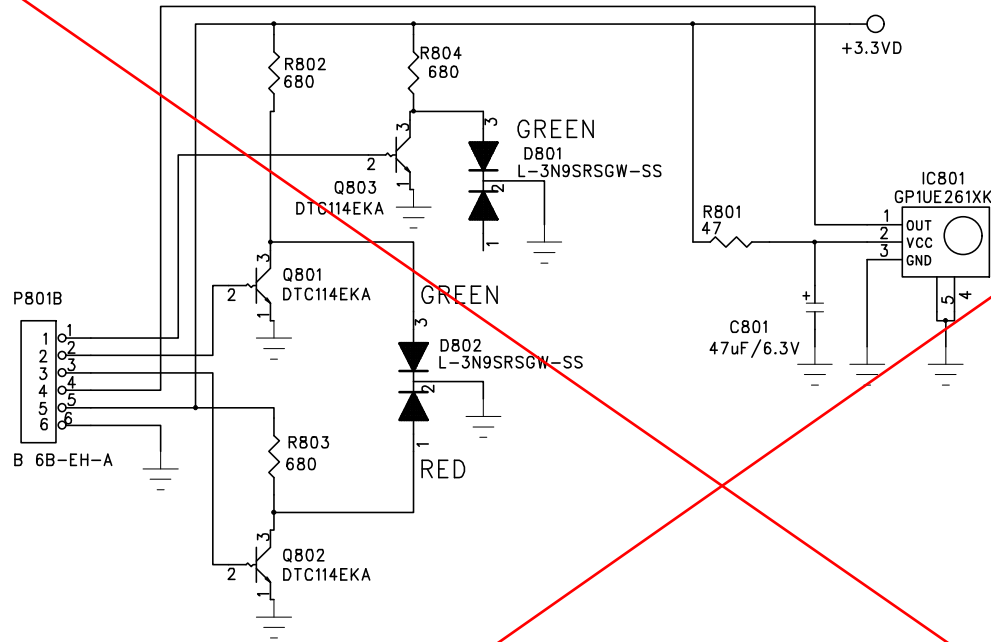
HANSONG ENTERPRISES CO.,LTD

THE INFORMATION CONTAINED IN THIS DRAWING IS THE SOLE PROPERTY OF HANSONG ENTERPRISES CO.,LTD. ANY REPRODUCTION IN PART OR WHOLE WITHOUT THE WRITTEN PERMISSION OF HANSONG ENTERPRISES CO.,LTD. IS PROHIBITED.

Document Number: HS4-860_B007_V10.5-AMP.SCH Sheet: 1/1
 Project: DYNAUDIO 860 SUBWOOFER AMPLIFIER State: MP
 Drawn by: Jerry.Zheng Checked by: Jerry.Zheng Approved by: [Signature]
 Date: February 20, 2004 Date: February 20, 2004 Date: [Signature]

All capacitors in 50V unless noted.

- HS101 70-040001-0 FOR Q108, Q111, Q112 AND R119
- HS102 70-040001-0 FOR Q109 AND Q113
- HS103 70-040002-0 FOR BR101
- HS104 70-040002-0 FOR IC104
- HS105 70-040002-0 FOR IC105



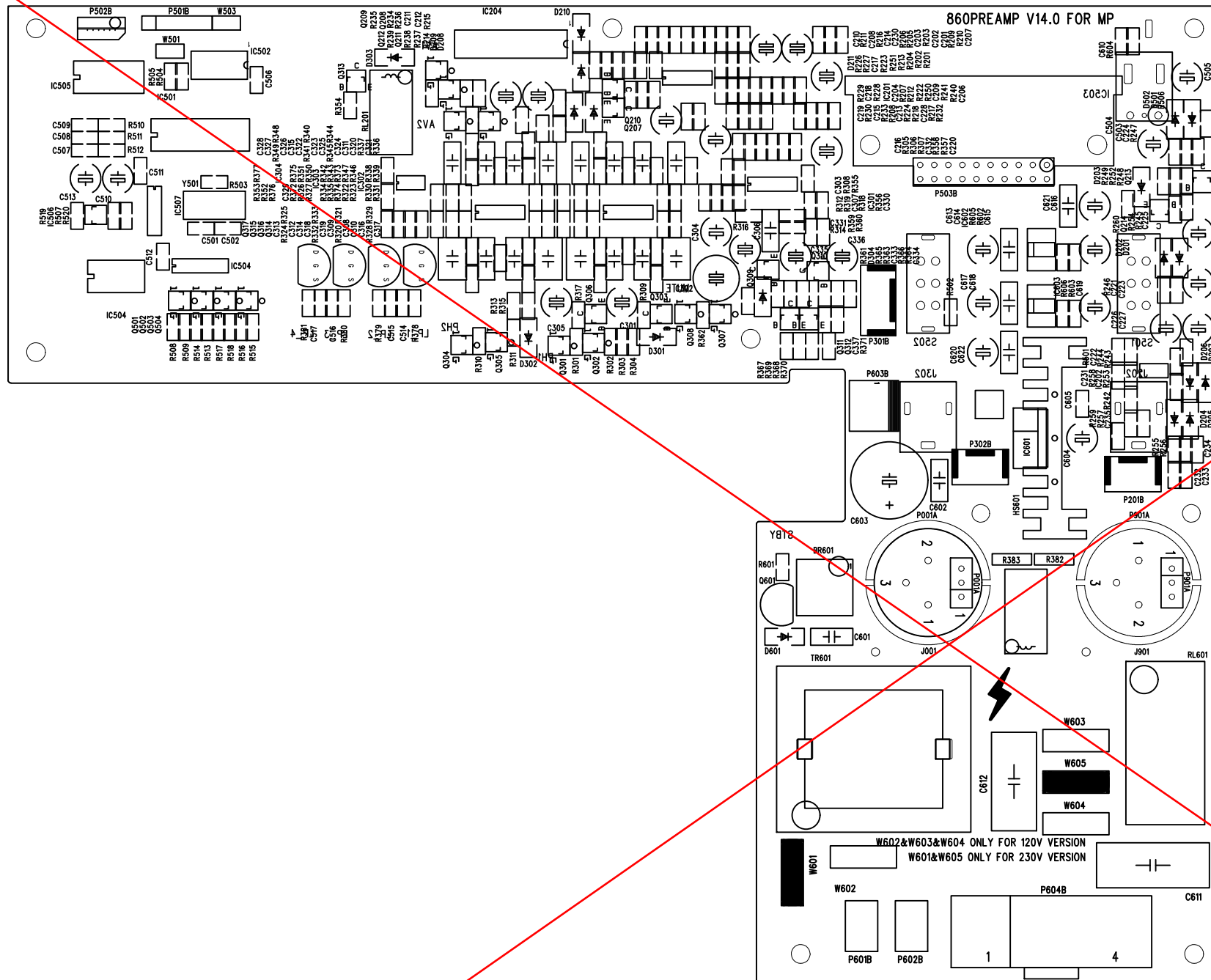
EDITION		DESCRIPTION			ECR	
CHANGED BY	Y	Z	DESIGNED: HANSONG	DRAWN: HANSONG	PRINT NO.	XXXXXX
DATE / CORR.			CONTR.	APPR.	PROD.	XXXXXX
CONTR. / APPR.			SUBJECT		DRAWING NO.	EDITION
DYNAUDIO		860 / DISPLAYBOARD		451515 03	A	
FILENAME 45151503A_860FRONT_V13.sch				SHEET 1 OF 1		

REV.	ECN No.	DESCRIPTION	Date	APPRO.

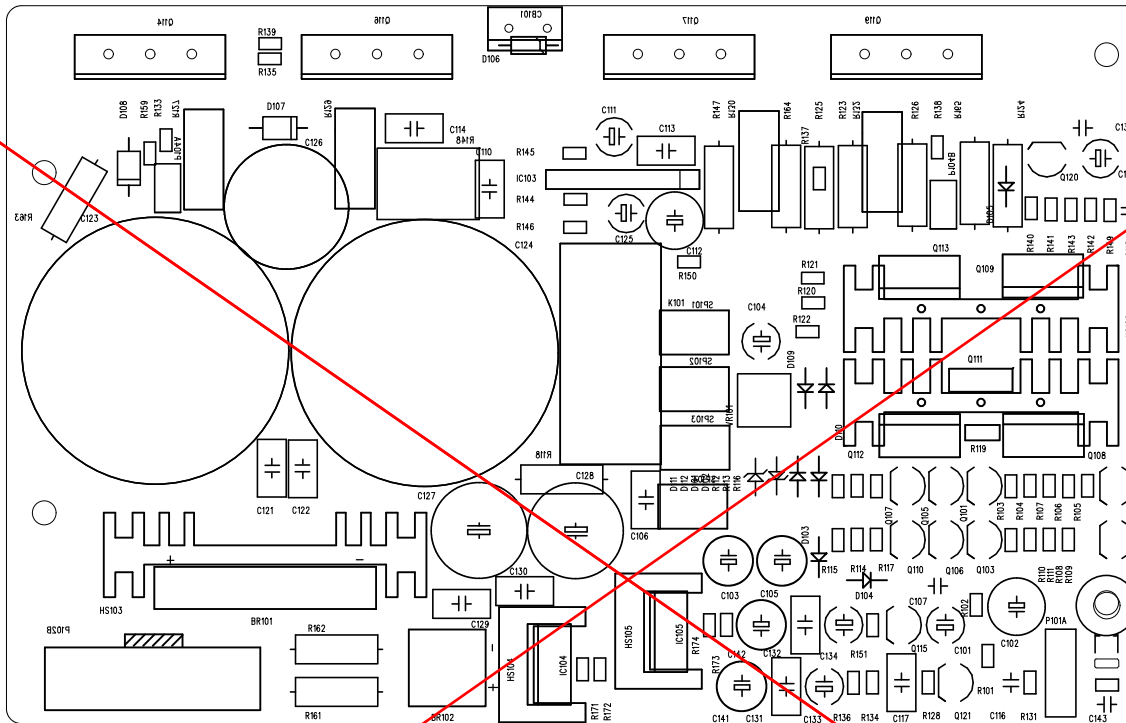
Hansong (Nanjing) Electronics Ltd.

THE INFORMATION CONTAINED IN THIS DRAWING IS THE SOLE PROPERTY OF HANSONG ENTERPRISES CO.,LTD. ANY REPRODUCTION IN PART OF WHOLE WITHOUT THE WRITTEN PERMISSION OF HANSONG ENTERPRISES CO.,LTD. IS PROHIBITED

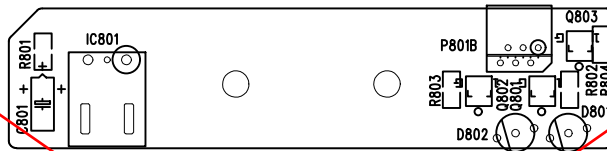
Document Number:		Sheet:	
Project:		State:	
Drafted by:	PL Checked by:	PTA Checked by:	Approved by:
Date:	Date:	Date:	Date:



EDITION		DESCRIPTION					ECR	
CHANGED BY		Y			Z			
DATE/CORR.								
CONTR./APPR.								
DESIGNED	DRAWN	CONTR.	APPR.	PROD.	OLD DRAWING NO.		SCALE	
Hansong	Hansong	/			xxxxx		1:1	
DYNAUDIO		SUBJECT			DRAWING NO.		EDITION	
		860 / PREAMP			451515 04		A	
FILENAME		45151504A_860_preamp_V14.pcb					SIZE A3	

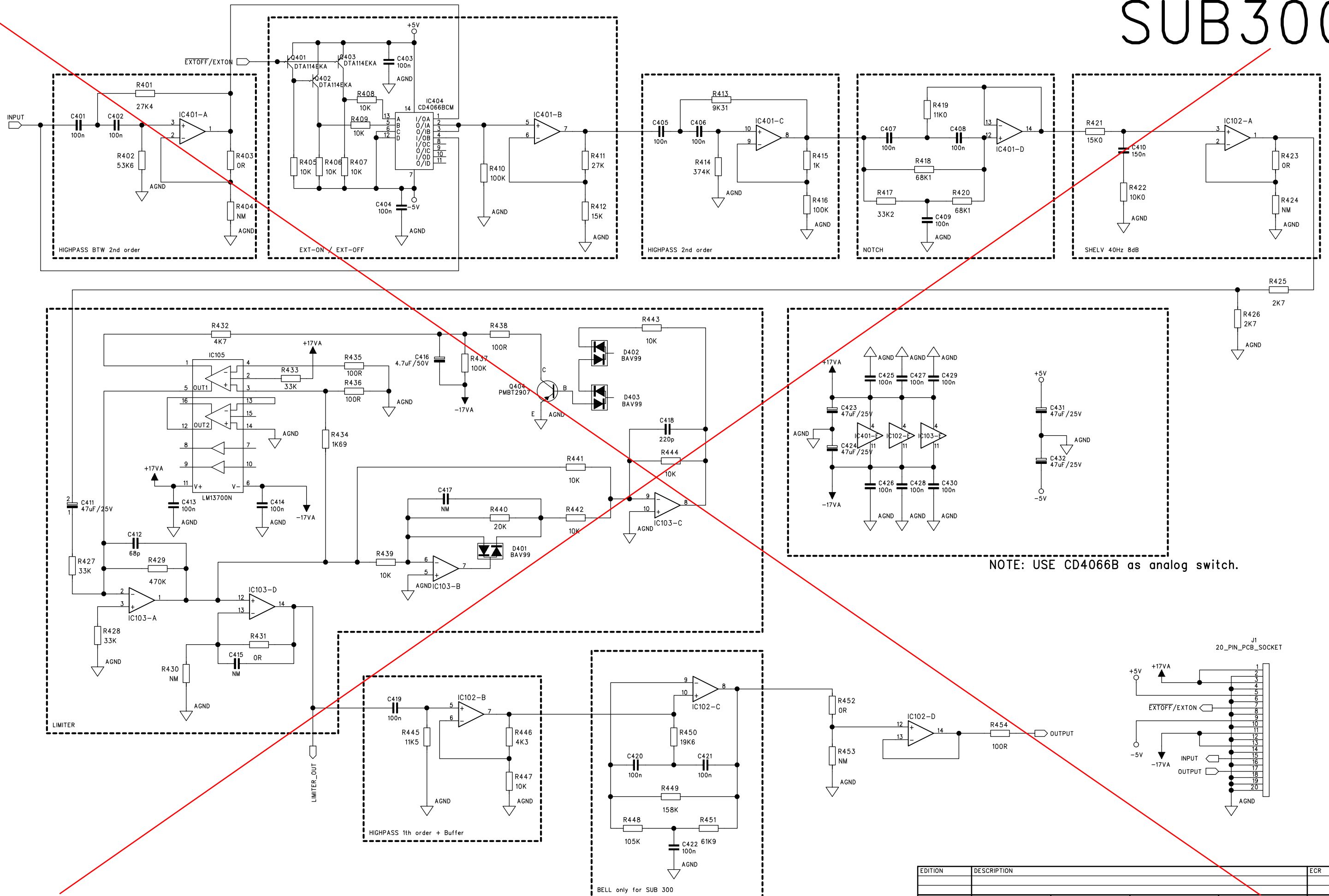


EDITION		DESCRIPTION					ECR	
CHANGED BY		_____ Y _____			_____ Z _____			
DATE/CORR.								
CONTR./APPR.								
DESIGNED Hansong	DRAWN Hansong	CONTR. /	APPR.	PROD.	OLD DRAWING NO. xxxxx	SCALE 1 : 1		
		SUBJECT 860 / POWERAMP				DRAWING NO. 451515 05		EDITION A
		FILENAME 45151505A_860poweramp ver13.pcb						SIZE A4



EDITION	DESCRIPTION					ECR
CHANGED BY						
DATE/CORR.	_____ Y _____		_____ Z _____			
CONTR./APPR.						
DESIGNED Hansong	DRAWN Hansong	CONTR. /	APPR.	PROD.	OLD DRAWING NO. xxxxx	SCALE 1 : 1
		SUBJECT 860 / DISPLAY BOARD			DRAWING NO. 451515 06	EDITION A
					FILENAME 45151506A_860front_V13.pcb	
						SIZE A4

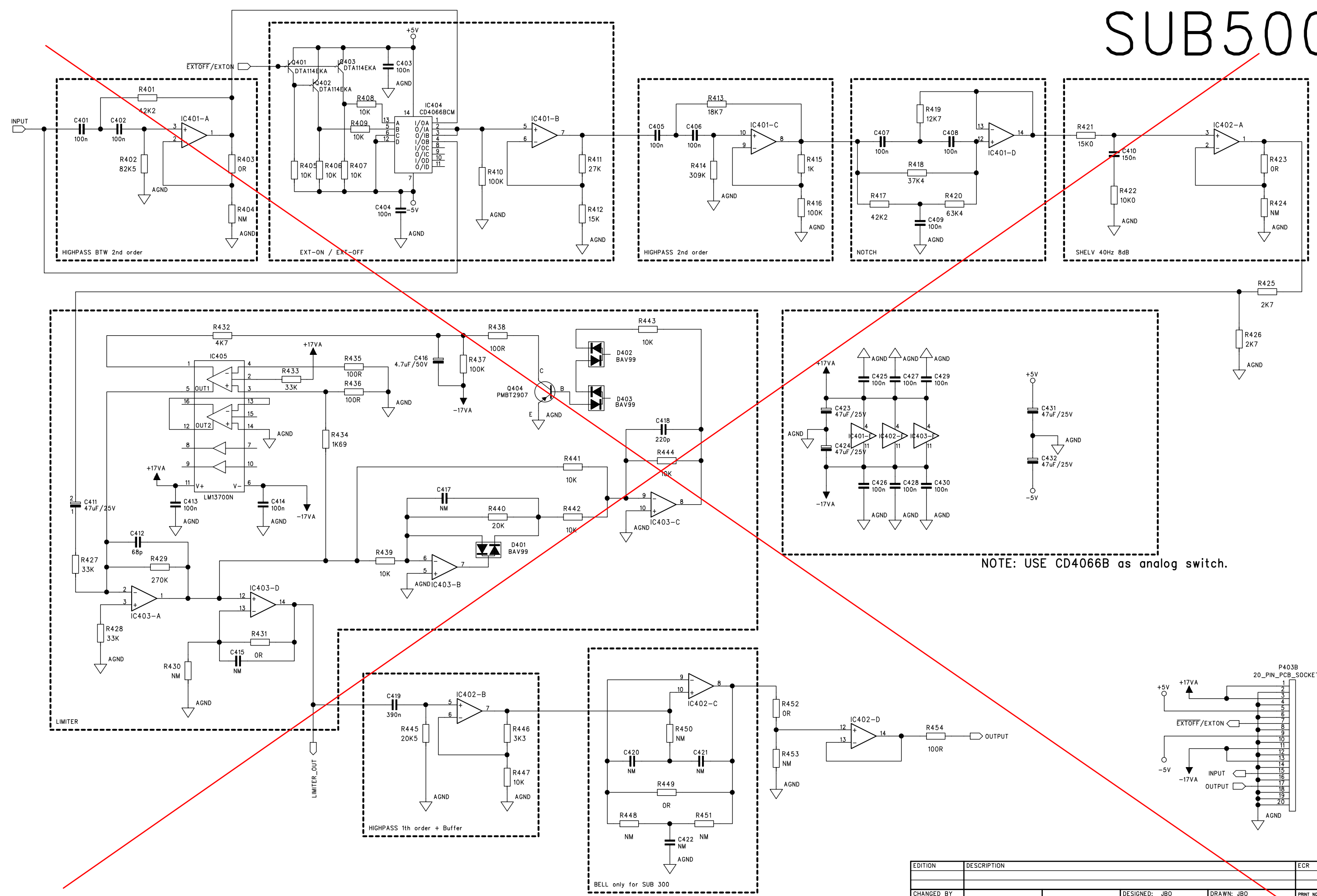
SUB300



NOTE: USE CD4066B as analog switch.

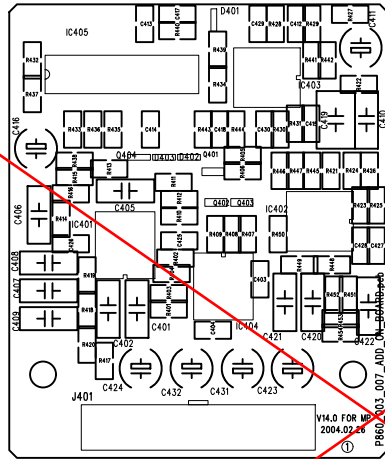
EDITION	DESCRIPTION	DESIGNED: JBO		DRAWN: JBO		PRINT NO.
						XXXXXX
CHANGED BY				CONTR.	APPR.	PROD.
DATE/CORR.						XXXXXX
CONTR./APPR.						
SUBJECT		DRAWING NO.		EDITION		
DYNAUDIO 860 / ADD-ON 300		451240 01		A		
FILENAME 45124001A_S860_002_010_SUB300_add_on_board .sch				SIZE A2	SHEET 1 OF 1	

SUB500



NOTE: USE CD4066B as analog switch.

EDITION	DESCRIPTION			ECR
CHANGED BY		DESIGNED: JBO	DRAWN: JBO	PRINT NO. XXXXXX
DATE / CORR.		CONTR.	APPR.	PROD. XXXXXX
CONTR. / APPR.		SUBJECT 860 / ADD-ON 500		DRAWING NO. 451250 01
DYNAUDIO		860 / ADD-ON 500		EDITION A
FILENAME 45125001A_S860_003_006_SUB500_add_on_board.sch		SIZE A2	SHEET 1 OF 1	



V14.0 FOR MP
2004.02.26
PBR01013_007_A100

EDITION		DESCRIPTION				ECR	
						1610	
CHANGED BY		HANSONG		Y		Z	
DATE/CORR.							
CONTR./APPR.							
DESIGNED	DRAWN	CONTR.	APPR.	PROD.	OLD DRAWING NO.	SCALE	
JBO	JBO + Hansong	/			45124002A	1 : 1	
		SUBJECT			DRAWING NO.	EDITION	
		860 / ASP BOARD			451240 02	B	
FILENAME		45124002B_860ASP-A_V15.pcb				SIZE A4	