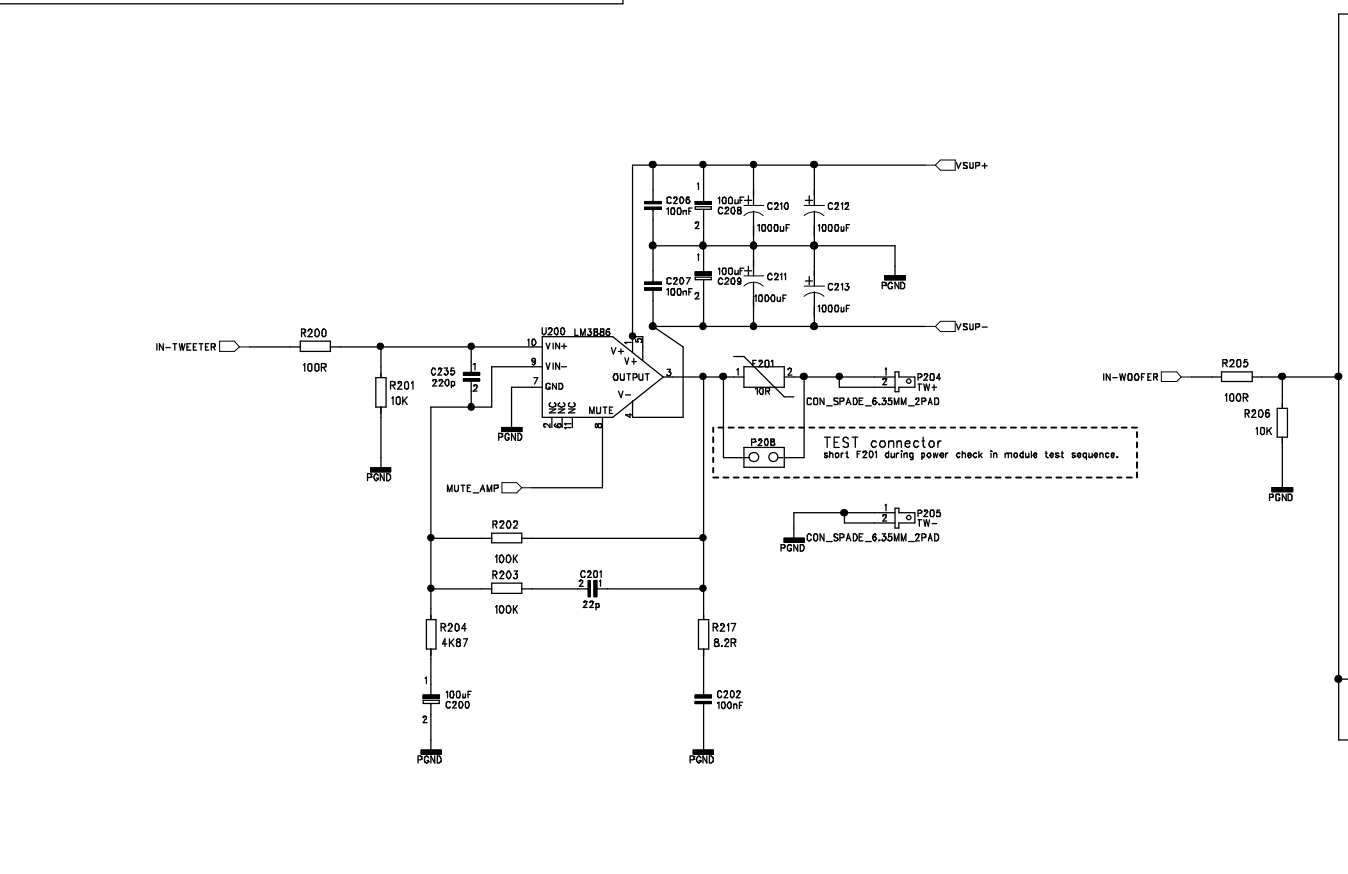


NOTES:
 RoHS compliant
 Electrolytic caps glued together for stability:
 (C210-C213), (C218-C221), (C224-C227)

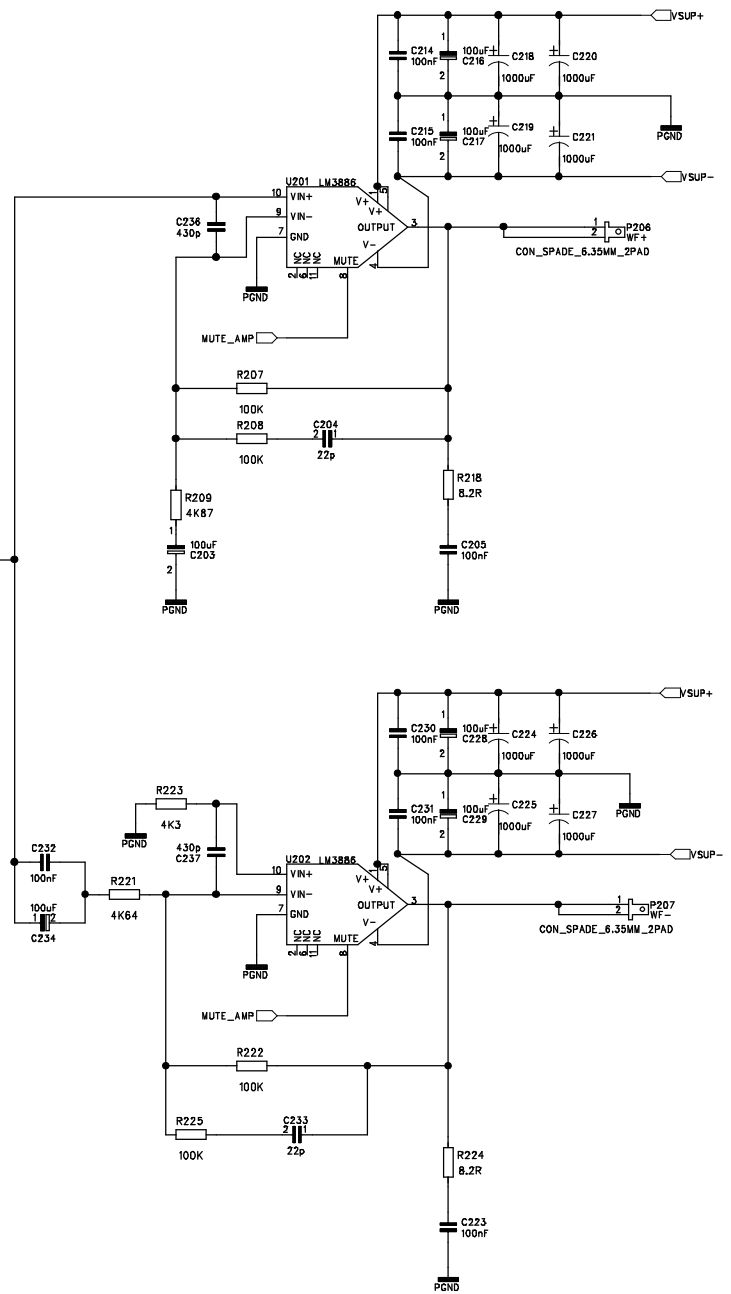
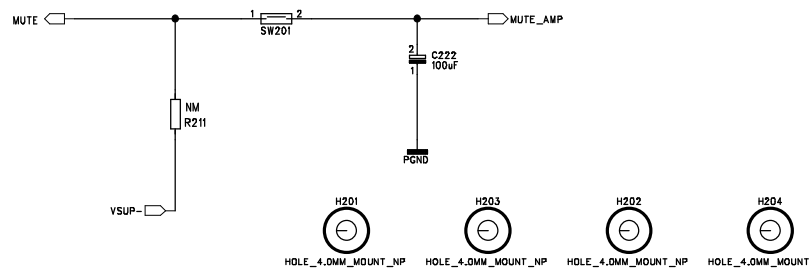
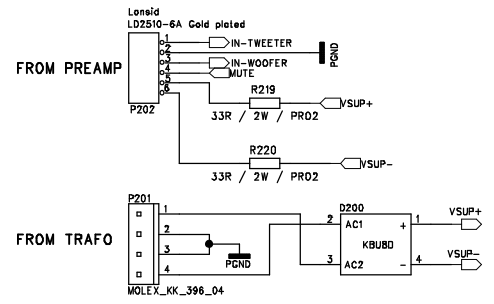
IN-TWEETER

IN-WOOFER



TEST connector
 short F201 during power check in module test sequence.

MUTE during power on OR SW open
 SW closed when temp. is below threshold
 SW open when temp. above threshold



EDITION	DESCRIPTION	EDR						
B	C235-237 added to reduce oscillation tendencies at clipping. P208 added for test purpose.	2587						
C	P202 changed to gold plated type	3547						
CHANGED BY	2006-11-20/JBO	2008-11-28/JBO	DESIGNED	JBO	DRAWN	JBO	PRINT NO.	XXXXXX
DATE/CORR.	2006-11-20/JBO	2008-11-28/JBO	CONTR.	JBO	APPR.	LSK	PROD.	AL
CONTR./APPR.	JBO/JM/LSK/AL	JBO/JM/LSK/AL	SUBJECT		DRAWING NO.		EDITION	
DYNAUDIO			Project 492 / Poweramp			451 476 03		C
FILENAME 45147603C.SCH							SIZE A2	SHEET 1 OF 1