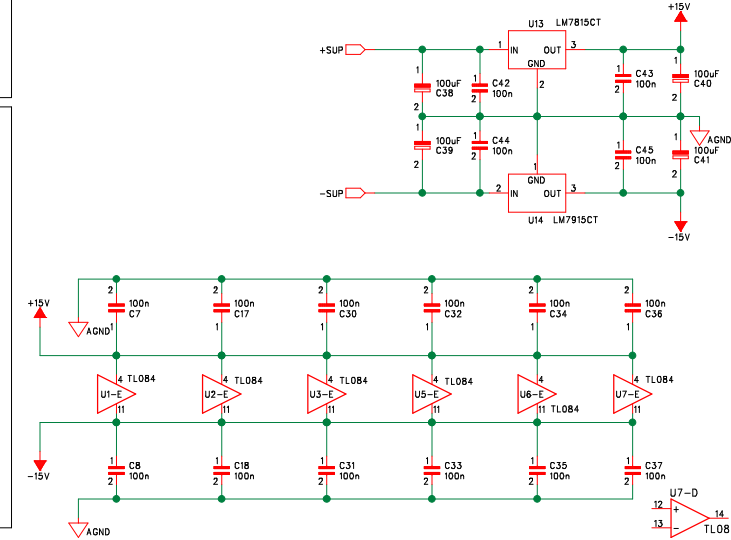
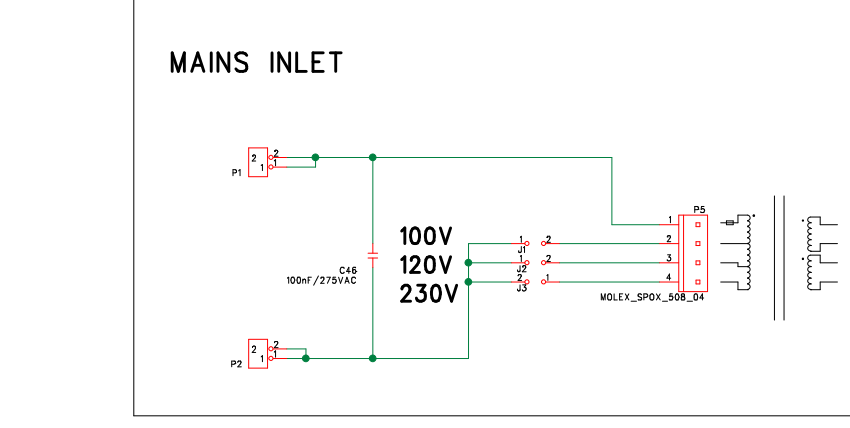
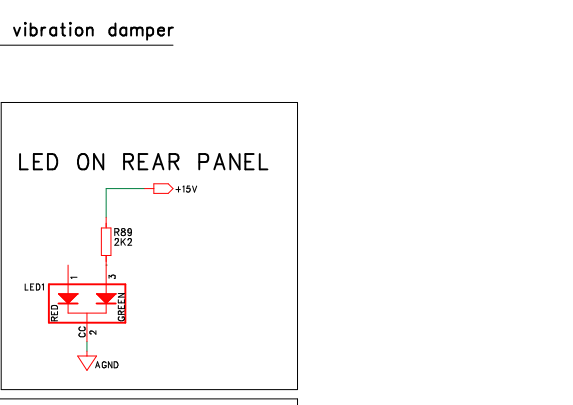
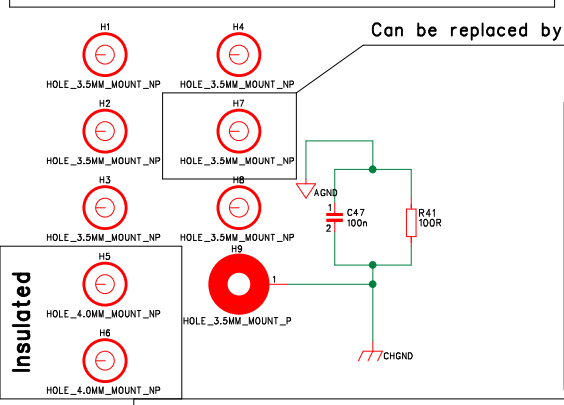
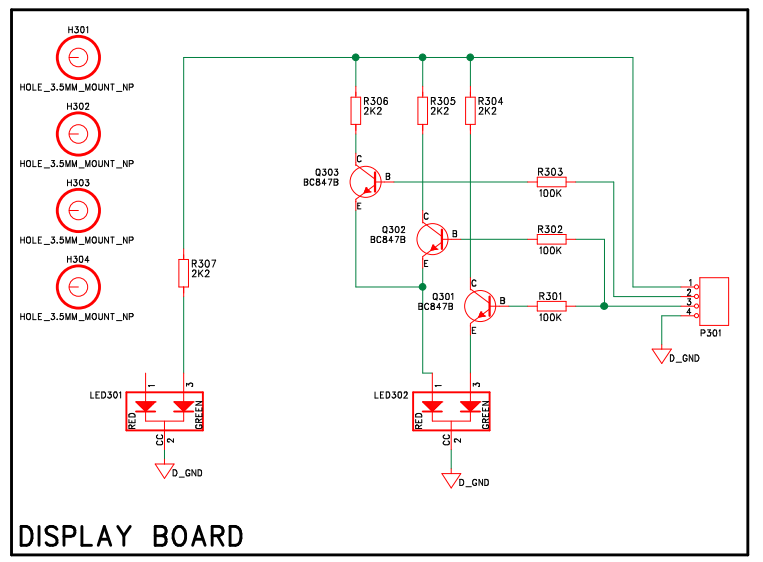


Target: 450Hz, 0.7oct, 0, -2, -4dB
CONSOL NOTCH

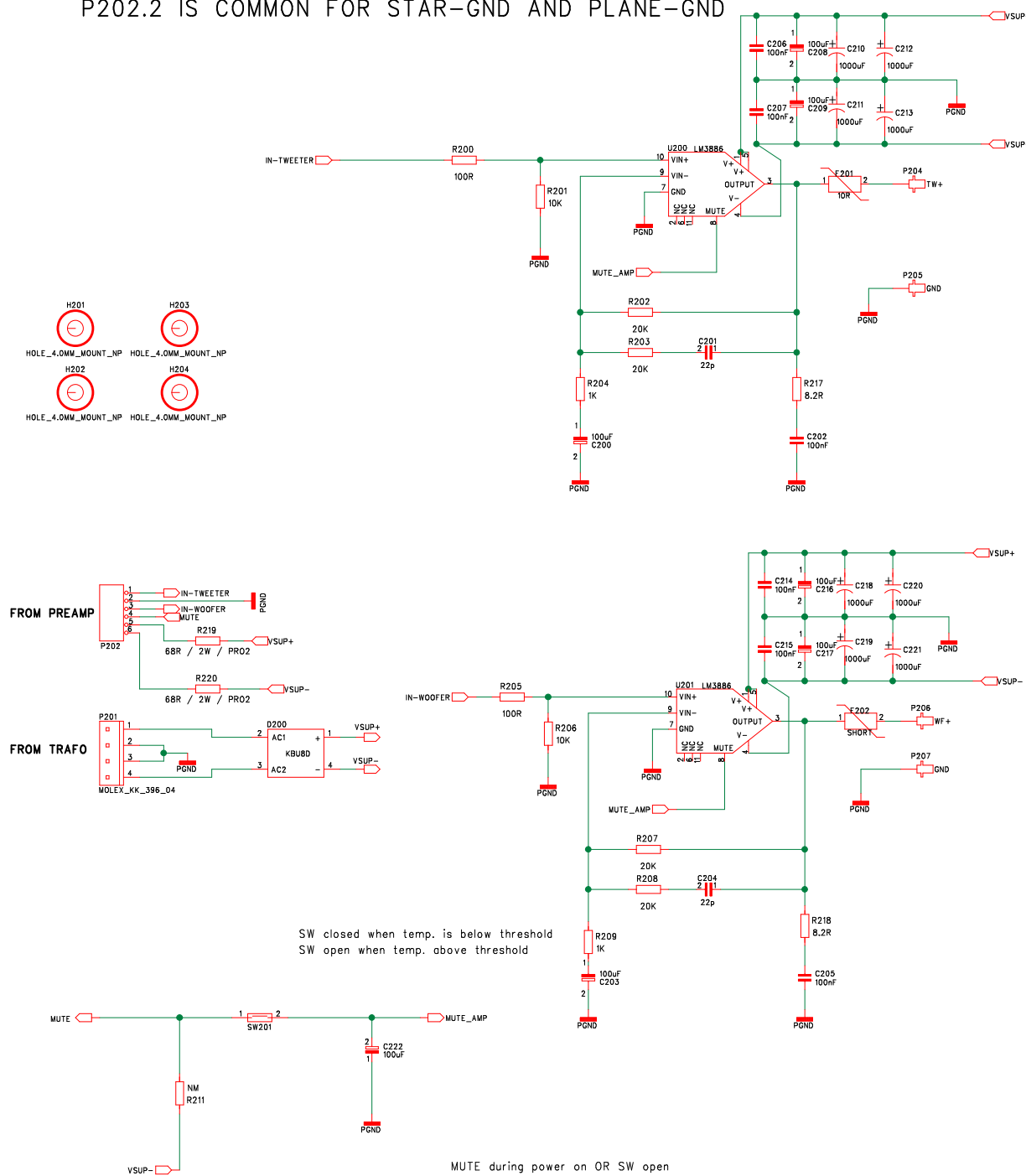


- S1 Transformer 0-100-120-230V // 18-0V + 18-0V 80VA
- S2 Mains switch Mains switch, rocker type
- S3 Mains Inlet Mains inlet w. primary fuse
- S4 Cable Primary harness
- S5 Cable Preamp-poweramp, 10cm twisted
- S6 Cable Preamp-display, 40cm
- S7 Gasket Rear panel sealing, 0.8mm thick, 10mm wide
- S8 Gasket Airtight sealing for SW1-5
- S9 Damper Damping material to replace H7 spacer, 1x2cm at H7.
- S10 PCB See version control document
- S11 HEATSINK 146x65x37mm, 8 ribs 30mm, base 7mm, For U200-1, SW201



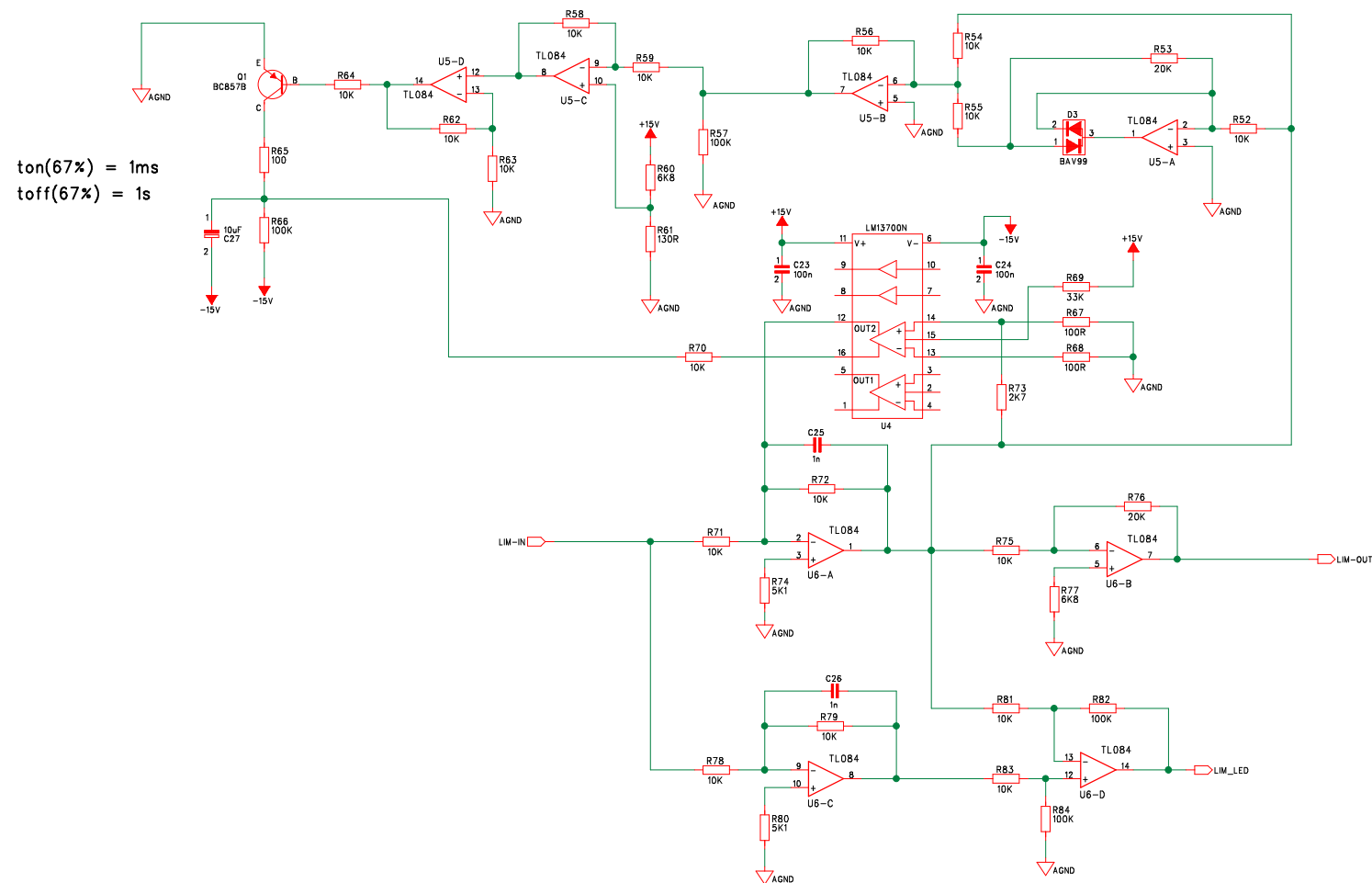
EDITION	DESCRIPTION	ECR
CHANGED BY		
DATE / CORR.		
CONTR. / APPR.		
SUBJECT PROJECT 769-BM5A		DRAWING NO. 451 540 05
FILENAME 45154005A_s769_001_012_amplifier.sch	SIZE A1	SHEET 1 OF 3

ALL HIGH CURRENT PGND AS STAR-CONNECTION
 P202.2 IS COMMON FOR STAR-GND AND PLANE-GND

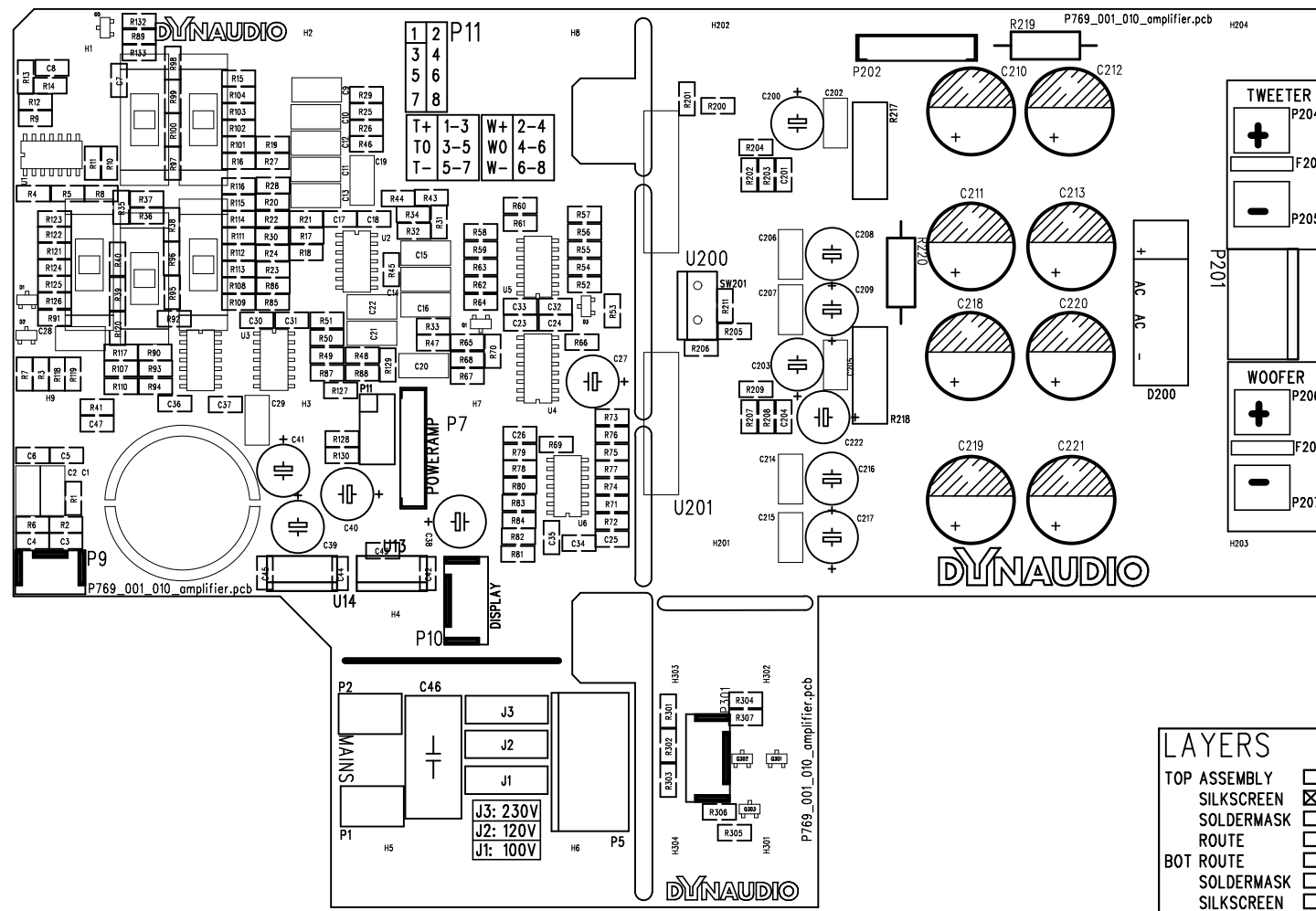


EDITION	DESCRIPTION	ECR
CHANGED BY	DESIGNED: JBO	DRAWN: JBO
DATE / CORR.	CONTR. HYA	APPR. JM
CONTR. / APPR.		
SUBJECT PROJECT 769-BM5A		DRAWING NO. 451 540 05
FILENAME 45154005A_S769_001_012_amplifier.sch		EDITION A
	SIZE A1	SHEET 2 OF 3

Threshold and gain adjusted for BM5A



EDITION	DESCRIPTION	ECR
CHANGED BY	DESIGNED: JBO	DRAWN: JBO
DATE / CORR.	CONTR. HYA	APPR. JM
CONTR. / APPR.		
SUBJECT PROJECT 769-BM5A		DRAWING NO. 451 540 05
EDITION A		
FILENAME 45154005A_S769_001_012_amplifier.sch		SIZE A1 SHEET 3 OF 3



EDITION		DESCRIPTION					ECR	
CHANGED BY		Y			Z			
DATE/CORR.								
CONTR./APPR.								
DESIGNED JBO	DRAWN JBO	CONTR. JBO/ HTA	APPR.	PROD.	OLD DRAWING NO. xxxxx	SCALE 1 : 1		
DYNAUDIO		SUBJECT 769 / BM5A amplifier			DRAWING NO. 451 540 06	EDITION A		
					FILENAME 45154006A_P769_001_010_amplifier.pcb		SIZE A3	