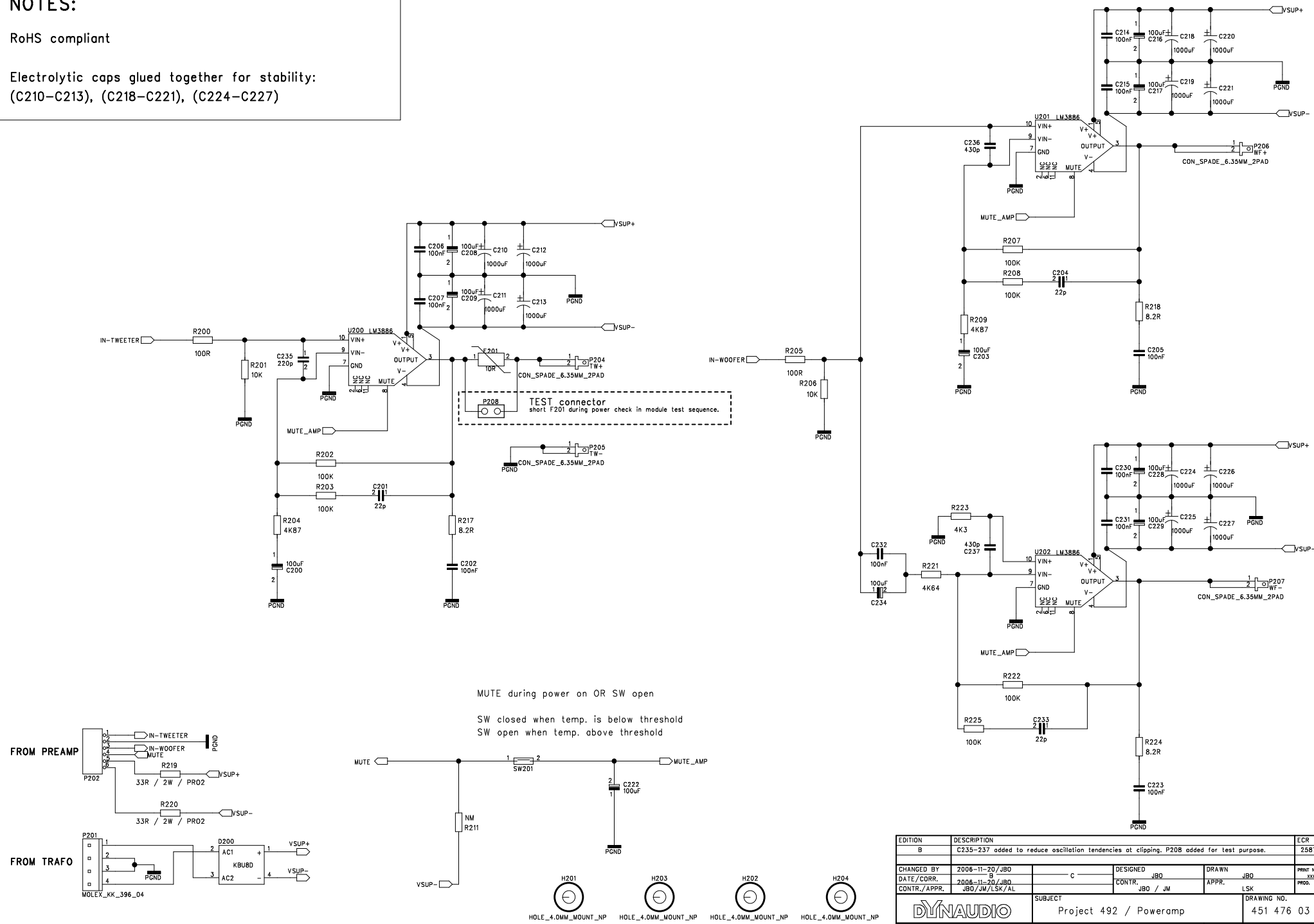


**NOTES:**  
 RoHS compliant  
 Electrolytic caps glued together for stability:  
 (C210-C213), (C218-C221), (C224-C227)



EDITION	DESCRIPTION	ECR
B	C235-237 added to reduce oscillation tendencies at clipping. P208 added for test purpose.	2587
CHANGED BY	2006-11-20/JBO	DESIGNED JBO
DATE/CORR.	2006-11-20/JBO	DRAWN JBO
CONTR./APPR.	JBO/JM/LSK/AL	APPR. LSK
SUBJECT: Project 492 / Poweramp		DRAWING NO. 451 476 03
DYNAUDIO		EDITION B
FILENAME 45147603B.SCH	SIZE A2	SHEET 1 OF 1