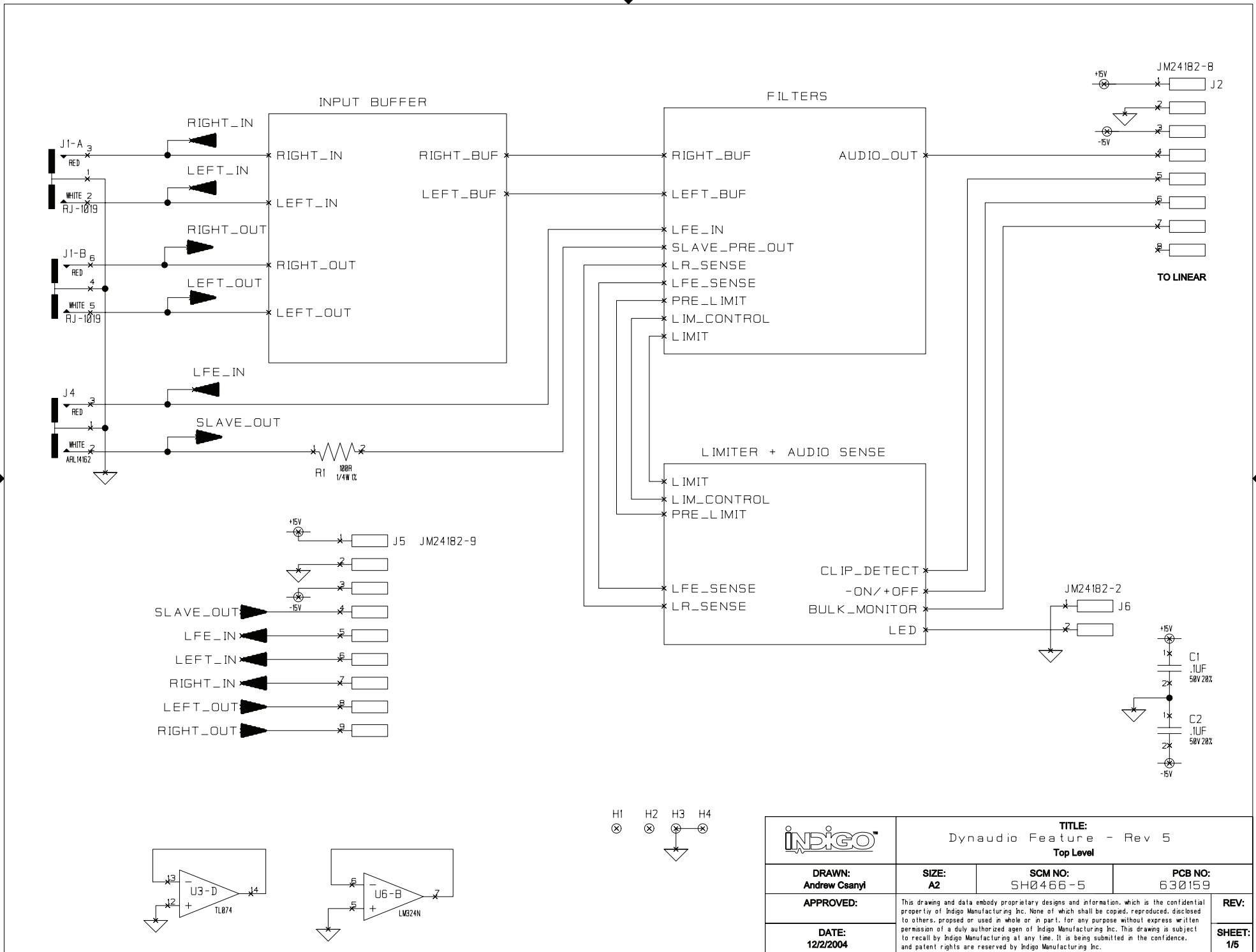
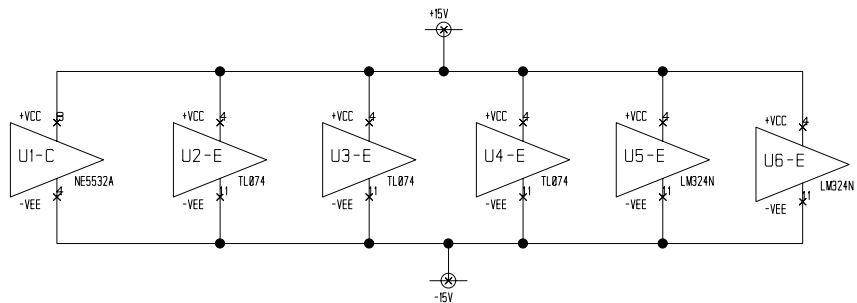
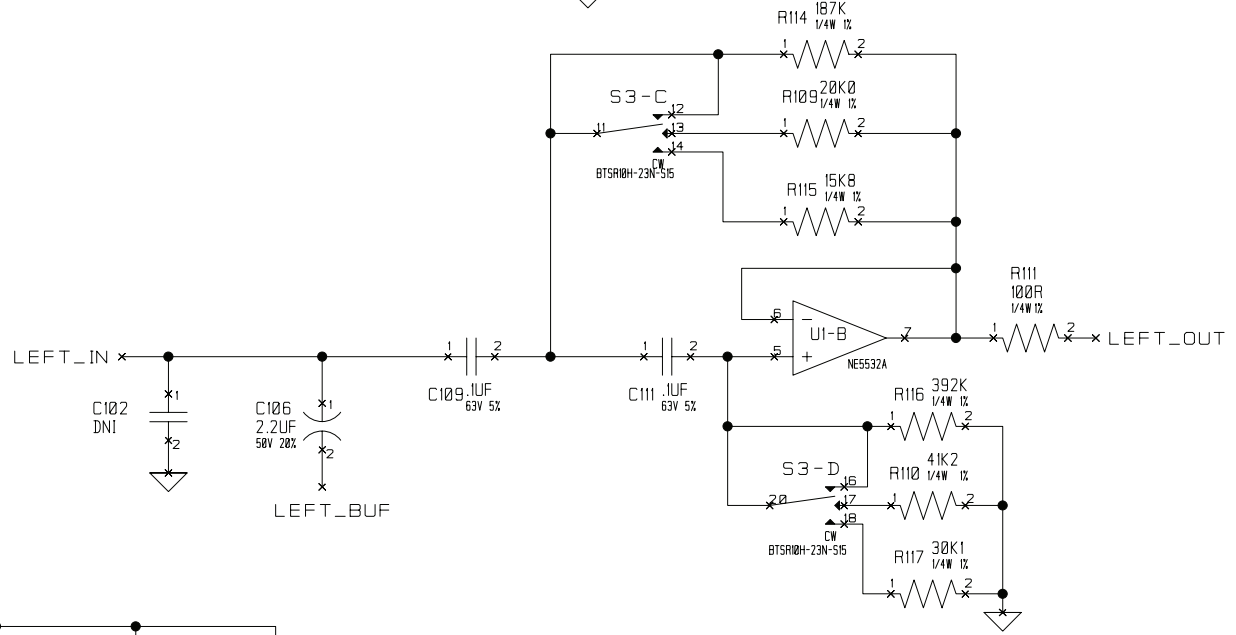
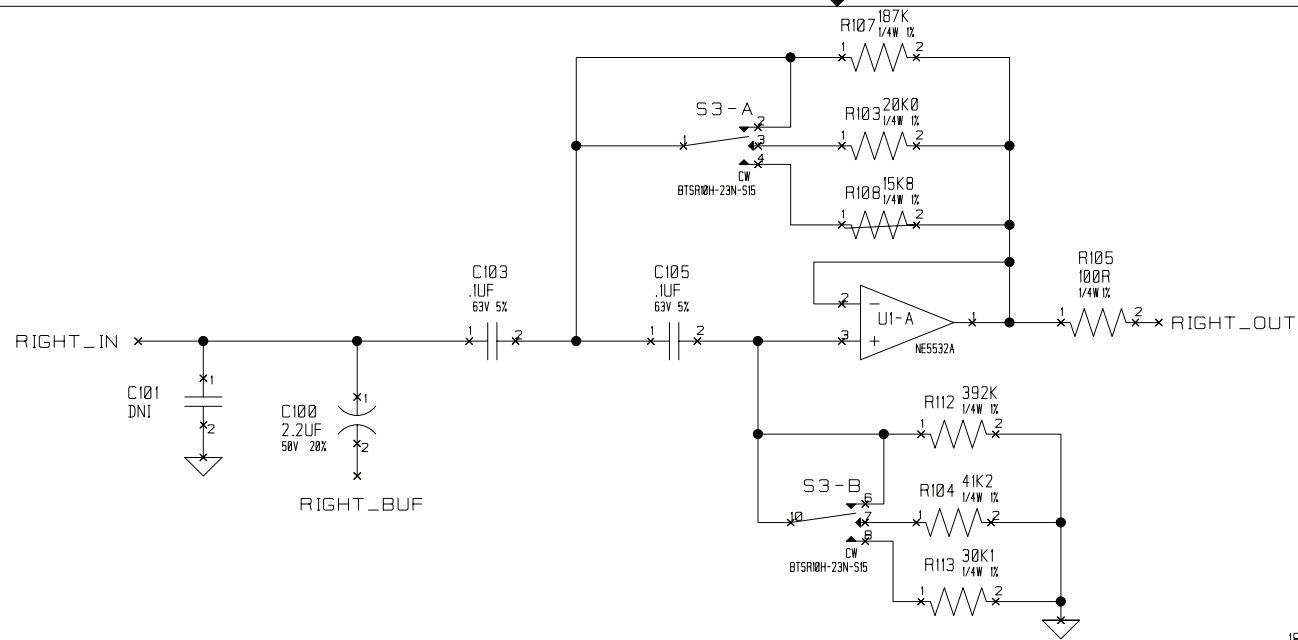


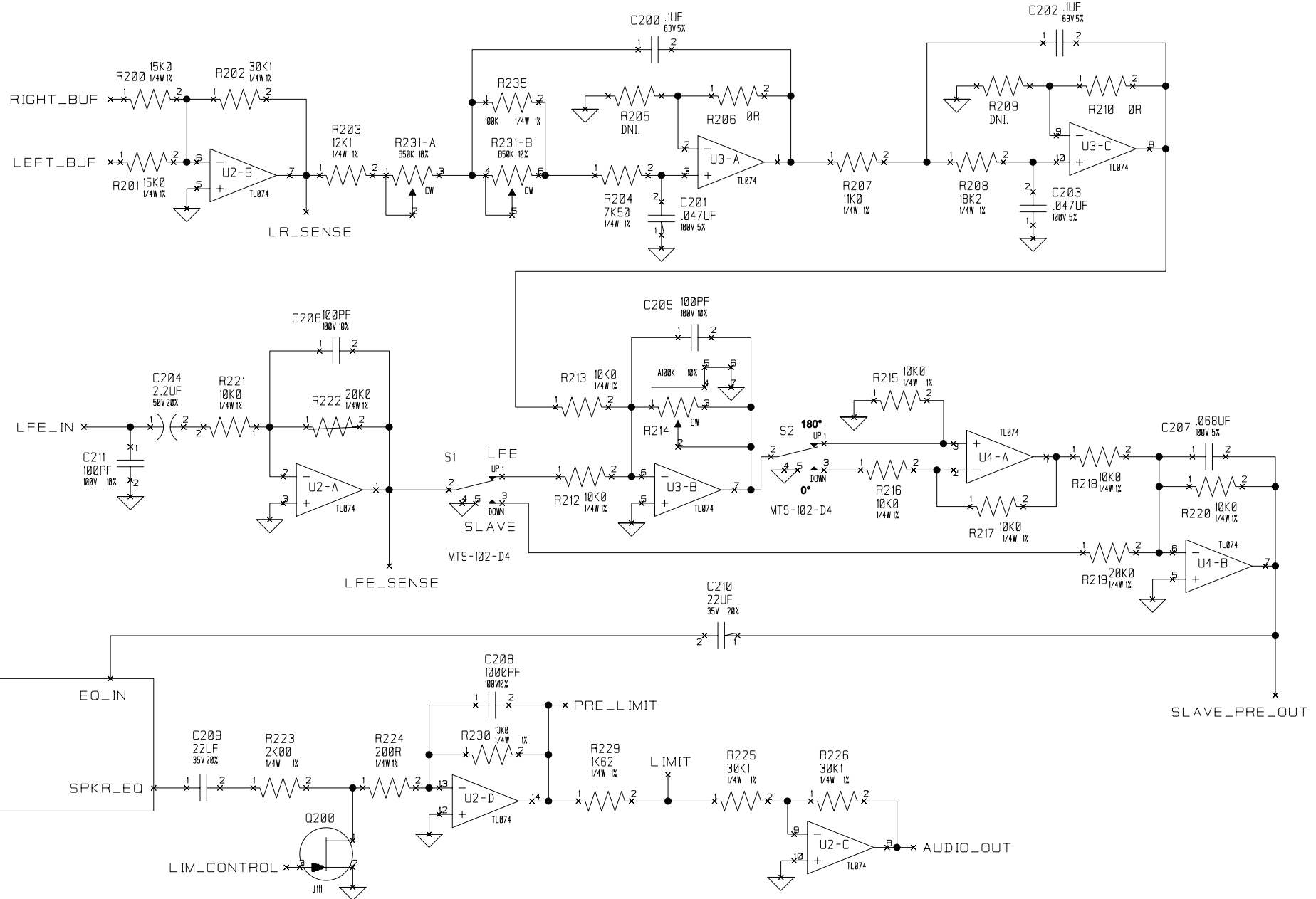
INDIGO MANUFACTURING INC. 165 STEELECASE ROAD MARKHAM, ONTARIO CANADA		TITLE: Dynaudio Feature - Rev 5		
DRAWN: Andrew Csanyi		SCM NO: SH0466-5	PCB NO: 630159	LAYER: TOP ASSEMBLY+ TOP SILKSCREEN
APPROVED:	This drawing and data embody proprietary designs and information, which is the confidential property of Indigo Manufacturing Inc. None of which shall be copied, reproduced, disclosed to others, proposed or used in whole or in part, for any purpose without express written permission of a duly authorized agent of Indigo Manufacturing Inc. This drawing is subject to recall by Indigo Manufacturing at any time. It is being submitted in the confidence, and patent rights are reserved by Indigo Manufacturing Inc.			REV: 4
DATE: 1/6/2005				



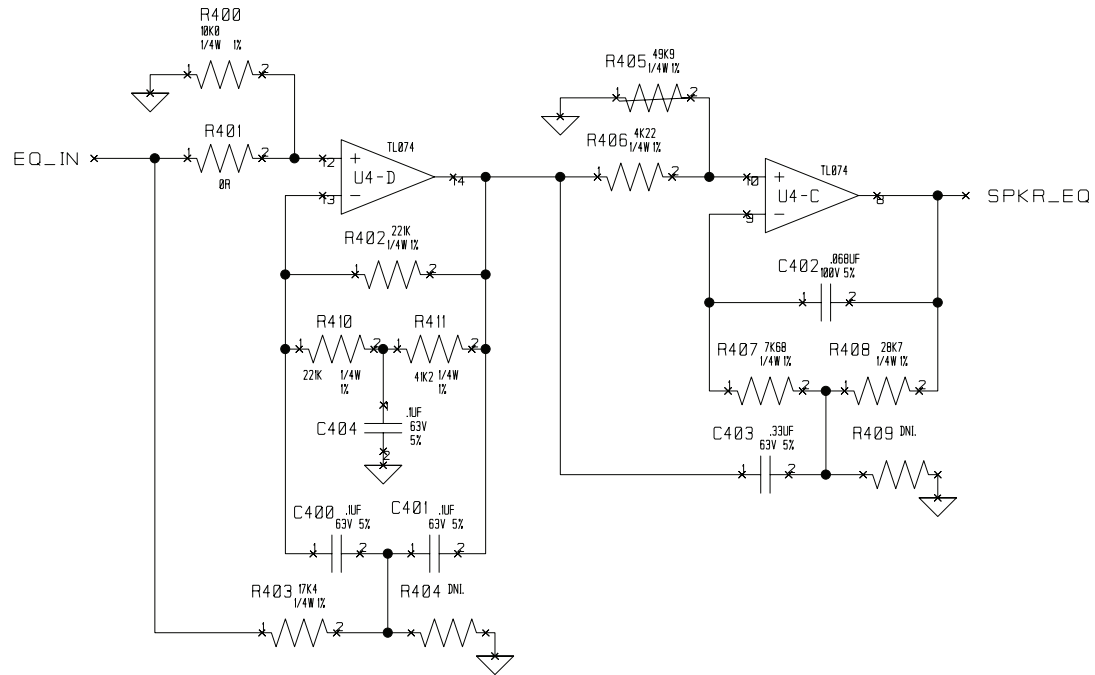
		TITLE: Dynaudio Feature - Rev 5 Top Level	
		DRAWN: Andrew Csanyi	SIZE: A2
APPROVED:		<small>This drawing and data embody proprietary designs and information, which is the confidential property of Indigo Manufacturing Inc. None of which shall be copied, reproduced, disclosed to others, propped or used in whole or in part, for any purpose without express written permission of a duly authorized agen of Indigo Manufacturing Inc. This drawing is subject to recall by Indigo Manufacturing at any time. It is being submitted in the confidence, and patent rights are reserved by Indigo Manufacturing Inc.</small>	
DATE: 12/2/2004		REV: SHEET: 1/5	




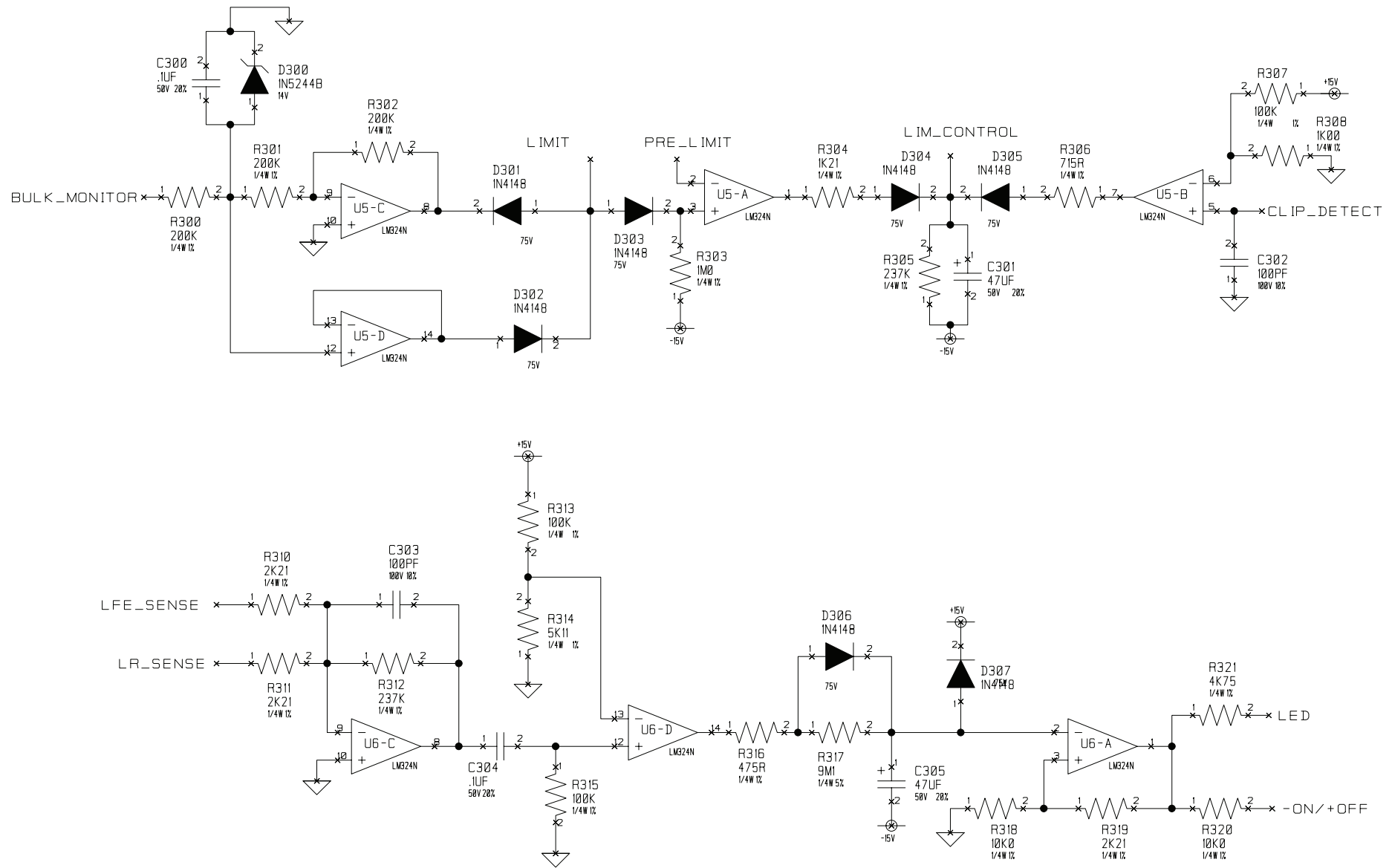
		TITLE: Dynaudio Feature - Rev 5 INPUT BUFFER	
		DRAWN: Andrew Csanyi	SIZE: A2
APPROVED:		This drawing and data embody proprietary designs and information, which is the confidential property of Indigo Manufacturing Inc. None of which shall be copied, reproduced, disclosed to others, propped or used in whole or in part, for any purpose without express written permission of a duly authorized agen of Indigo Manufacturing Inc. This drawing is subject to recall by Indigo Manufacturing at any time. It is being submitted in the confidence, and patent rights are reserved by Indigo Manufacturing Inc.	
DATE: 12/2/2004		REV: SHEET: 2/5	



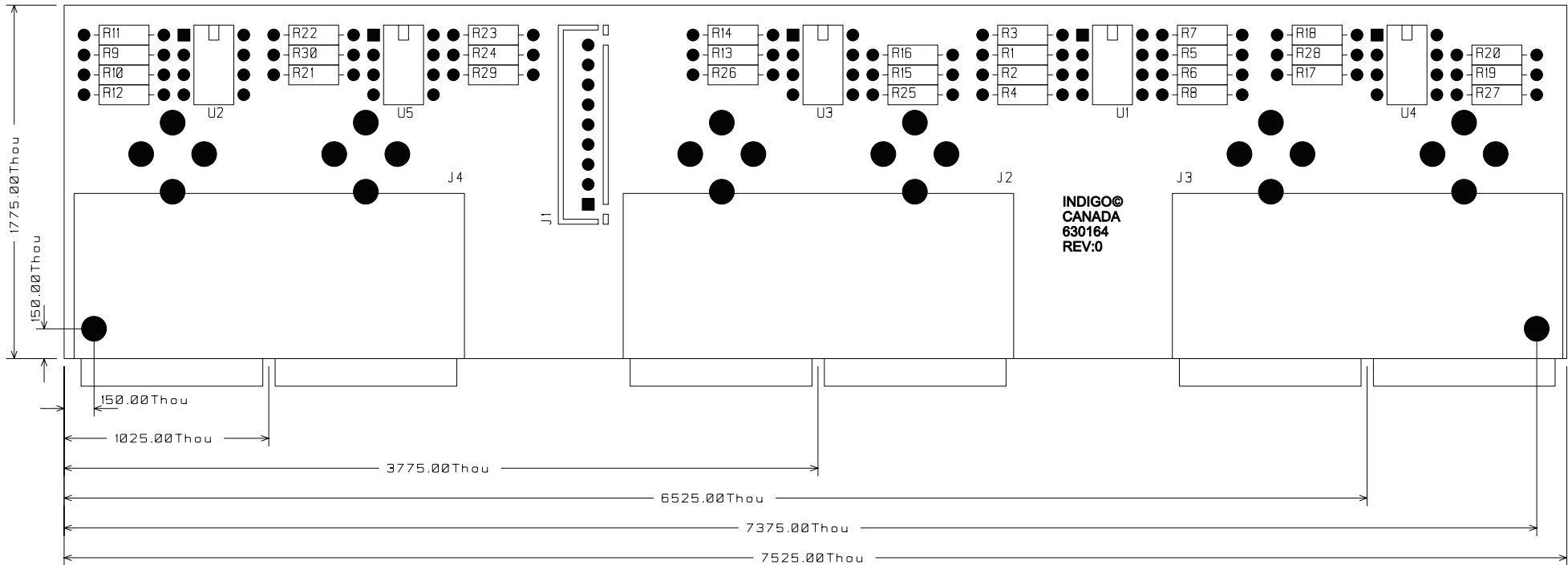
		TITLE: Dynaudio Feature - Rev 5 FILTERS	
		DRAWN: Andrew Csanyi	SIZE: A2
APPROVED:		This drawing and data embody proprietary designs and information, which is the confidential property of Indigo Manufacturing Inc. None of which shall be copied, reproduced, disclosed to others, propped or used in whole or in part, for any purpose without express written permission of a duly authorized agen of Indigo Manufacturing Inc. This drawing is subject to recall by Indigo Manufacturing at any time. It is being submitted in the confidence, and patent rights are reserved by Indigo Manufacturing Inc.	
DATE: 12/2/2004	REV:		SHEET: 3/5



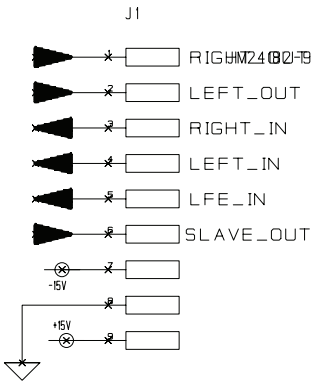
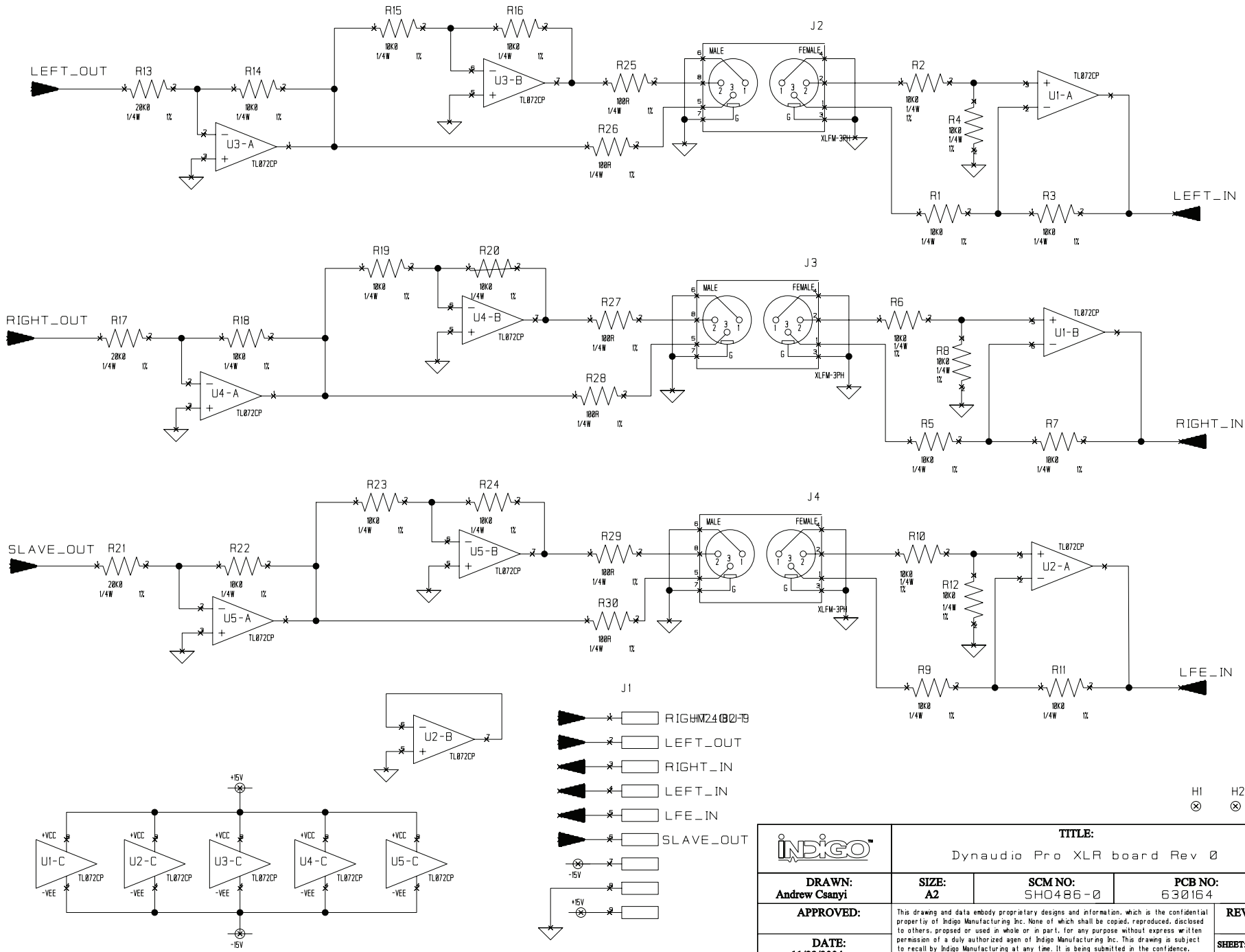
		TITLE: Dynaudio Feature - Rev 5	
		SIZE: A2	SCM NO: SH0466-5
DRAWN: Andrew Csanyil			
APPROVED:		REV:	
DATE: 12/2/2004		This drawing and data embody proprietary designs and information, which is the confidential property of Indigo Manufacturing Inc. None of which shall be copied, reproduced, disclosed to others, propped or used in whole or in part, for any purpose without express written permission of a duly authorized agen of Indigo Manufacturing Inc. This drawing is subject to recall by Indigo Manufacturing at any time. It is being submitted in the confidence, and patent rights are reserved by Indigo Manufacturing Inc.	
		SHEET: 4/5	



		TITLE: Dynaudio Feature - Rev 5 LIMITER + AUDIO SENSE	
		DRAWN: Andrew Csanyi	SIZE: A2
APPROVED:		This drawing and data embody proprietary designs and information, which is the confidential property of Indigo Manufacturing Inc. None of which shall be copied, reproduced, disclosed to others, propped or used in whole or in part, for any purpose without express written permission of a duly authorized agent of Indigo Manufacturing Inc. This drawing is subject to recall by Indigo Manufacturing at any time. It is being submitted in the confidence, and patent rights are reserved by Indigo Manufacturing Inc.	
DATE: 12/2/2004		REV: SHEET: 5/5	

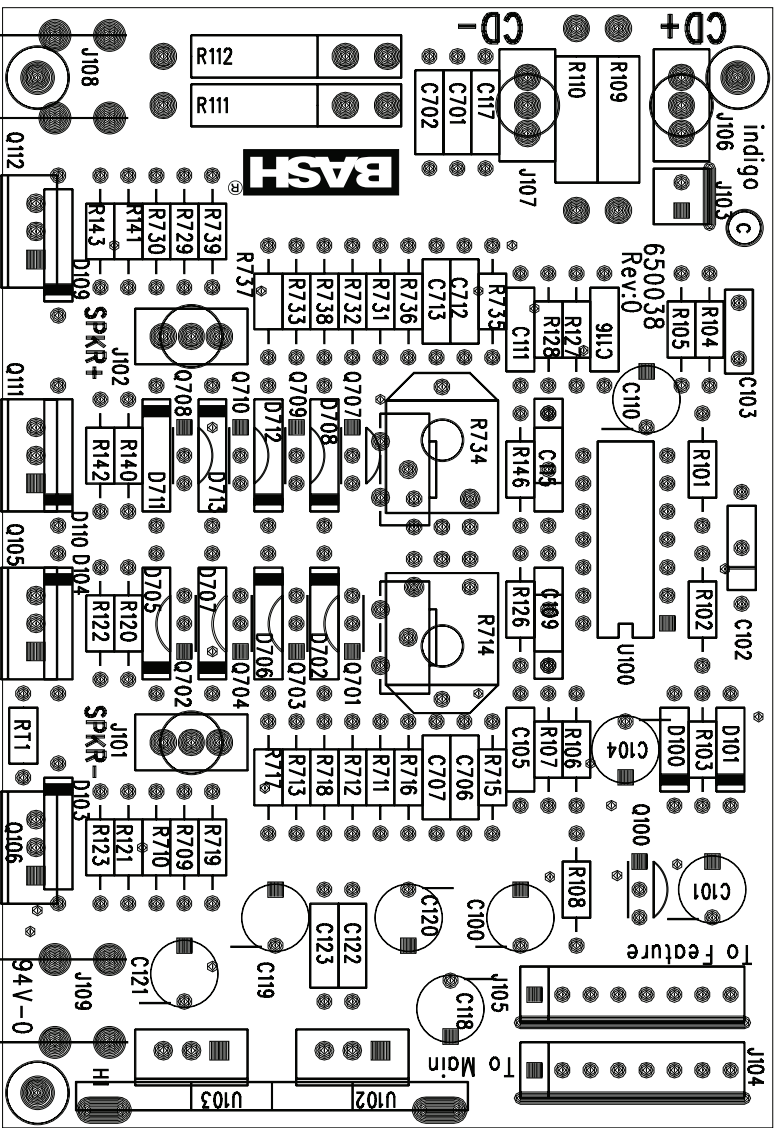


INDIGO MANUFACTURING INC. 165 STEELECASE ROAD MARKHAM, ONTARIO CANADA		TITLE: Dynaudio Pro XLR board Rev 0		
DRAWN: ANDREW CSANYI		SCM NO: SHO486-0	PCB NO: 630164	LAYER: TOP ASSEMBLY+ TOP SILKSCREEN
APPROVED:	This drawing and data embody proprietary designs and information, which is the confidential property of Indigo Manufacturing Inc. None of which shall be copied, reproduced, disclosed to others, proposed or used in whole or in part, for any purpose without express written permission of a duly authorized agent of Indigo Manufacturing Inc. This drawing is subject to recall by Indigo Manufacturing at any time. It is being submitted in the confidence, and patent rights are reserved by Indigo Manufacturing Inc.			REV:
DATE: 11/22/2004				



H1 H2
⊗ ⊗

INDIGO				TITLE: Dynaudio Pro XLR board Rev 0	
DRAWN: Andrew Csanyi		SIZE: A2	SCM NO: SH0486-0	PCB NO: 630164	
APPROVED:		REV:			
DATE: 11/22/2004		SHEET: 1 of 1			



H12
H11

J118 J119 J114 J115
 C714 J120 J113
 R74 J121 J114
 R788 C715 J119

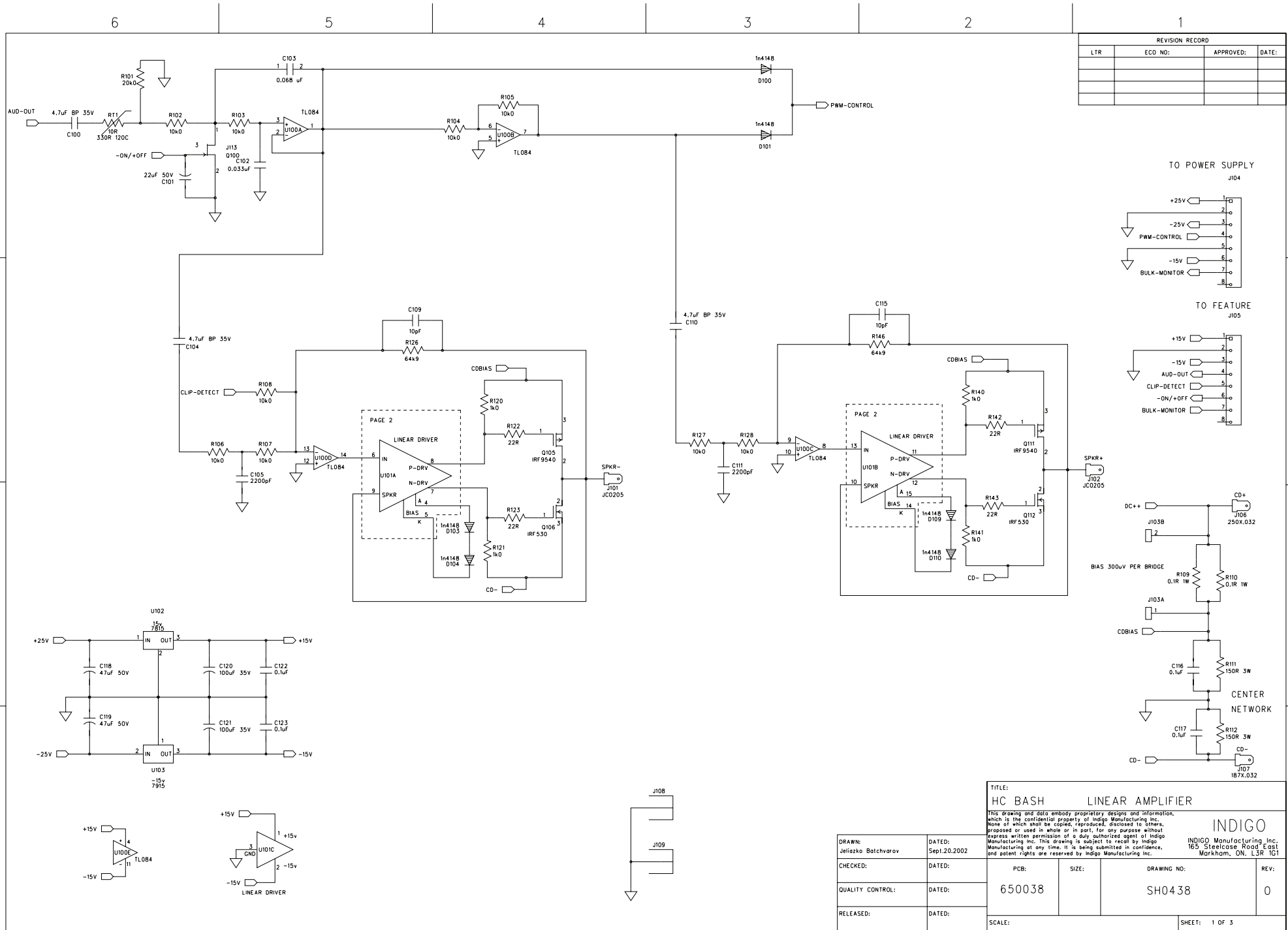
INDIGO CONFIDENTIAL
 REPRODUCTION OR ISSUE TO 3RD
 PARTIES IS PROHIBITED

This drawing and data embody proprietary designs and information, which is the confidential property of Indigo Manufacturing Inc. None of which shall be copied, reproduced, disclosed to others, proposed or used in whole or in part, for any purpose without express written permission of a duly authorized agent of Indigo Manufacturing Inc. This document is subject to recall by Indigo Manufacturing at any time. It is being submitted in confidence, and patent rights are reserved by Indigo Manufacturing Inc.

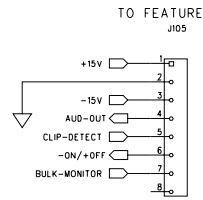
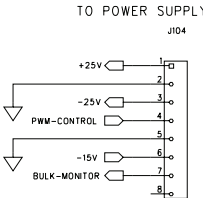
Copyright 2001 Indigo Manufacturing Inc., Markham, Ontario Canada

HC BASH Linear Amplifier

INDIGO part number:	Revision:	Date:
650038	0	July 3 2003



REVISION RECORD			
LTR	ECD NO:	APPROVED:	DATE:



TITLE:
HC BASH LINEAR AMPLIFIER

This drawing and data embody proprietary designs and information, which is the confidential property of Indigo Manufacturing Inc. None of which shall be copied, reproduced, disclosed to others, proposed or used in whole or in part, for any purpose without express written permission of a duly authorized agent of Indigo Manufacturing Inc. This drawing is subject to recall by Indigo Manufacturing at any time. It is being submitted in confidence, and patent rights are reserved by Indigo Manufacturing Inc.

DRAWN: Batchvarov	DATED: Sept.20.2002	PCB: 650038	SIZE:	DRAWING NO: SH0438	REV: 0
CHECKED:	DATED:	RELEASED:	DATED:	SCALE:	SHEET: 1 OF 3

INDIGO
INDIGO Manufacturing Inc.
165 Steelcase Road East
Markham, ON, L3R 1G1

6

5

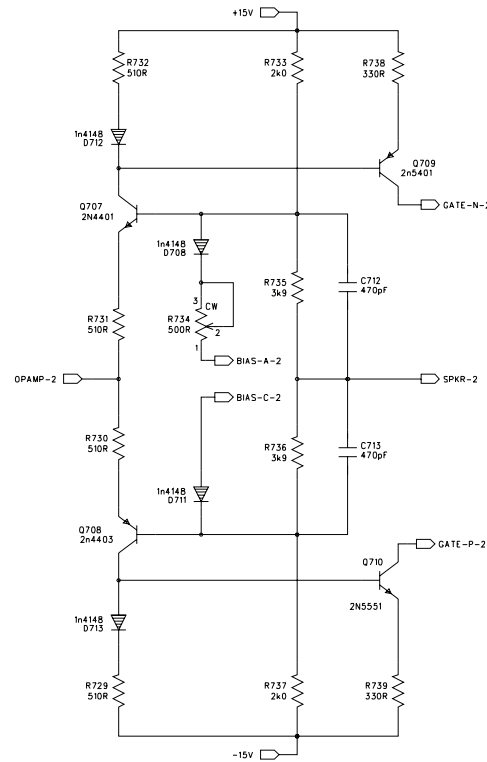
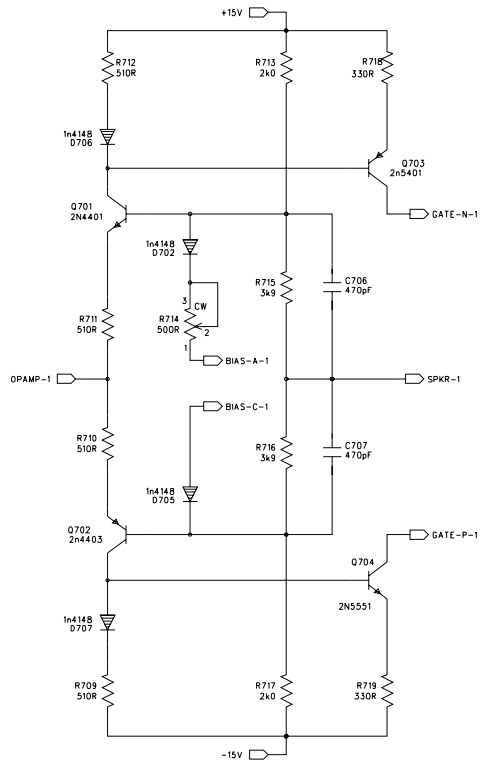
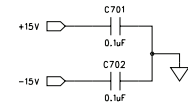
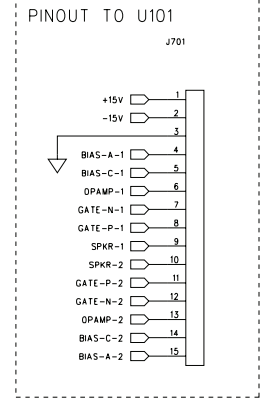
4

3

2

1

REVISION RECORD			
LTR	ECO NO:	APPROVED:	DATE:



TITLE: HC BASH 200W LIN1010				
<small>This drawing and data embody proprietary designs and information, which is the confidential property of Indigo Manufacturing Inc. None of which shall be copied, reproduced, disclosed to others, proposed or used in whole or in part, for any purpose without express written permission of a duly authorized agent of Indigo Manufacturing Inc. This drawing is subject to recall by Indigo Manufacturing at any time, it is being submitted in confidence, and patent rights are reserved by Indigo Manufacturing Inc.</small>				
DRAWN: Mark Chen		DATED: MAR.01.2002		
CHECKED:		DATE:		
QUALITY CONTROL:		DATE:		
RELEASED:		DATE:		
SCALE:		PCB: 650038	SIZE:	DRAWING NO: SH0438
				REV: 0
SHEET: 2 OF 3				

D

C

B

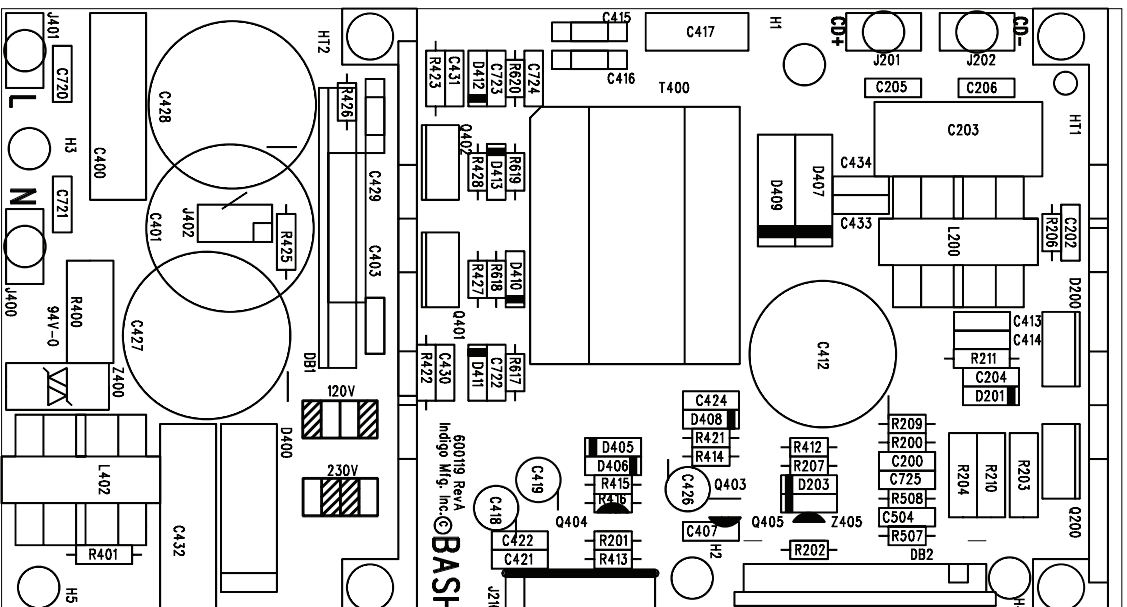
A

D

C

B

A



0.000"
0.000"

6.000"
2.750"

INDIGO CONFIDENTIAL

REPRODUCTION OR ISSUE TO 3RD

PARTIES IS PROHIBITED

This drawing and data embody proprietary designs and information, which is the confidential property of Indigo Manufacturing Inc. None of which shall be copied, reproduced, disclosed to others, proposed or used in whole or in part, for any purpose without express written permission of a duly authorized agent of Indigo Manufacturing Inc. This document is subject to recall by Indigo Manufacturing at any time. It is being submitted in confidence, and patent rights are reserved by Indigo Manufacturing Inc.

Copyright 2001 Indigo Manufacturing Inc., Markham, Ontario Canada

HC BASH 200W Power Supply

INDIGO part number: 600119	Revision: A	Date: Sept 10 2003
--------------------------------------	-----------------------	------------------------------

6

5

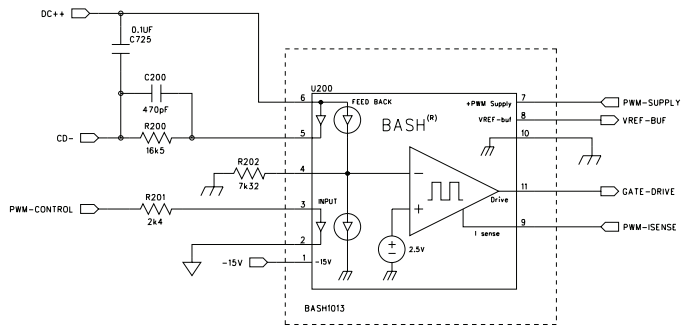
4

3

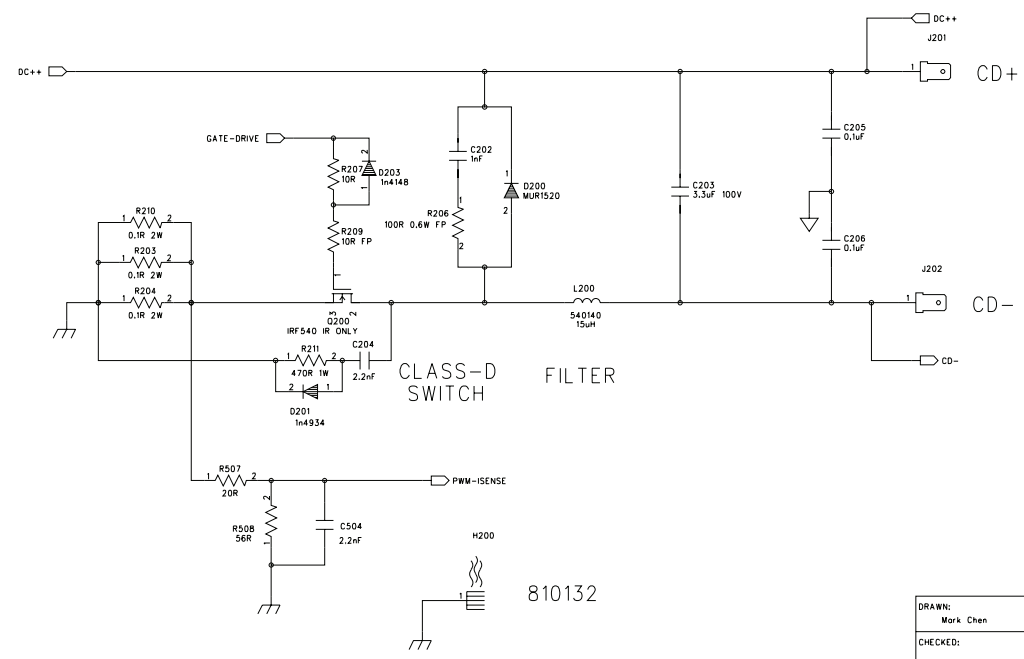
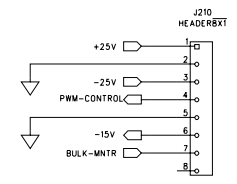
2

1

REVISION RECORD			
LTR	ECO NO:	APPROVED:	DATE:



TO LINEAR BOARD



TITLE: HC BASH 200W PS BUCK CONVERTER				
This drawing and data embody proprietary designs and information, which are the confidential property of Indigo Manufacturing Inc. None of which shall be copied, reproduced, disclosed to others, processed or used in whole or in part, for any purpose without the express written permission of its duly authorized agent of Indigo Manufacturing Inc. This drawing is subject to recall by Indigo Manufacturing at any time. It is being submitted in confidence, and patent rights are reserved by Indigo Manufacturing Inc.				
DRAWN: Mark Chen		DATED: MAR.01.2002		INDIGO Indigo Manufacturing Inc. 103 STEELCROSS ROAD EAST Markham, ON, L3R 1G1
CHECKED:	DATED:	PCB: 600119	DRAWING NO: SH0382	
QUALITY CONTROL:	DATED:	Rev.A	REV: A	
RELEASED:	DATED:	SCALE:	SHEET: 1 OF 3	

810132

6

5

4

3

2

1

REVISION RECORD			
LTR	ECO NO:	APPROVED:	DATE:

D

D

C

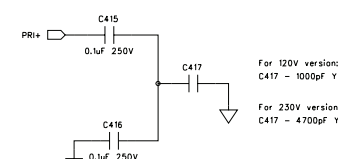
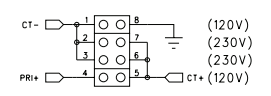
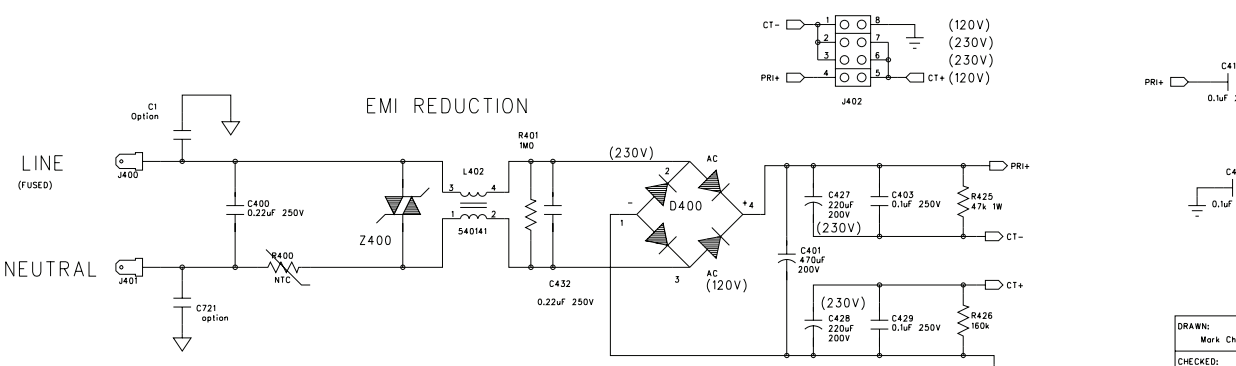
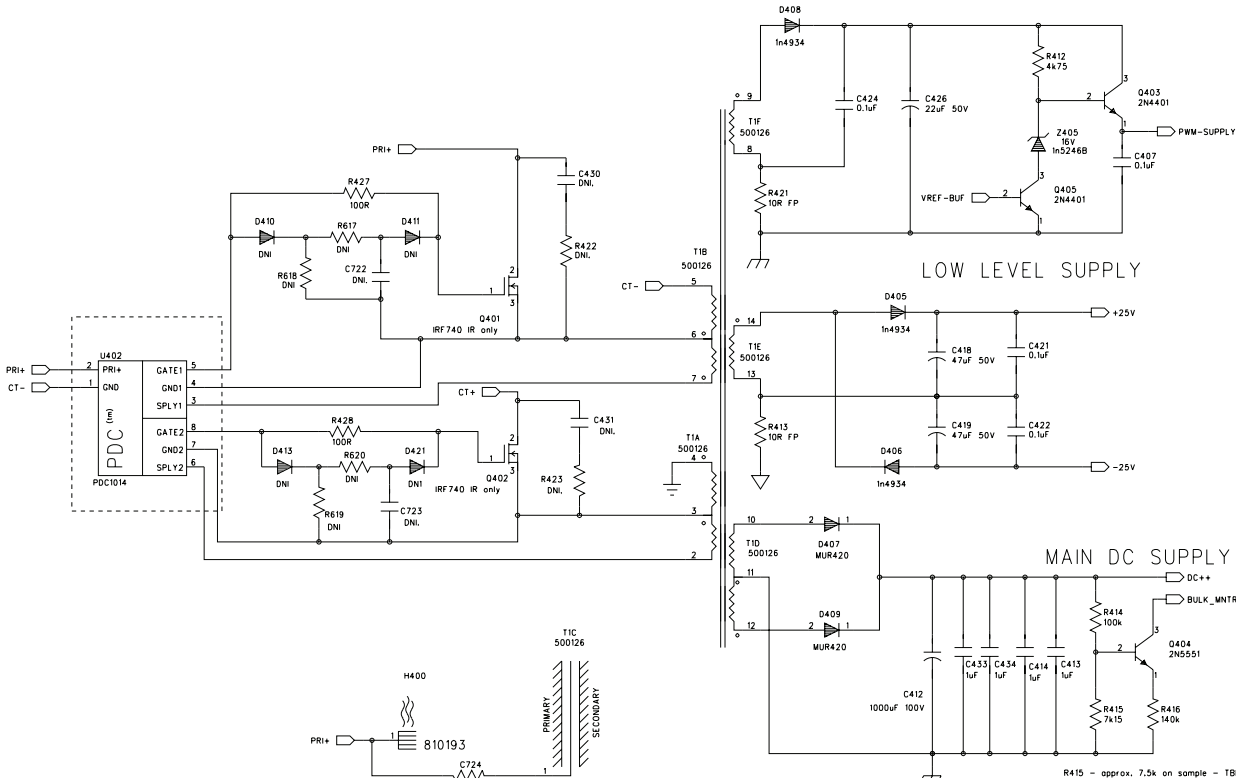
C

B

B

A

A



For 120V version:
C417 - 1000pF Y1

For 230V version:
C417 - 4700pF Y1

TITLE:
HC BASH 200W PS AC-DC CONVERTER

This drawing and data embody proprietary designs and information, which is the confidential property of Indigo Manufacturing Inc. No part of which shall be copied, reproduced, disclosed to others, proposed or used in whole or in part, for any purpose without express written permission of a duly authorized agent of Indigo Manufacturing Inc. This drawing is subject to recall by Indigo Manufacturing at any time. It is being submitted in confidence, and patent rights are reserved by Indigo Manufacturing Inc.

INDIGO

INDIGO Manufacturing Inc.
165 Steeplecase Road East
Markham, ON, L3R 1G1

DRAWN: Mark Chen	DATED: MAR.01.2002	PCB: 600119 Rev.A	SIZE:	DRAWING NO: SH0382	REV: A
CHECKED:	DATED:	RELEASED:	DATED:	SCALE:	SHEET: 2 OF 3