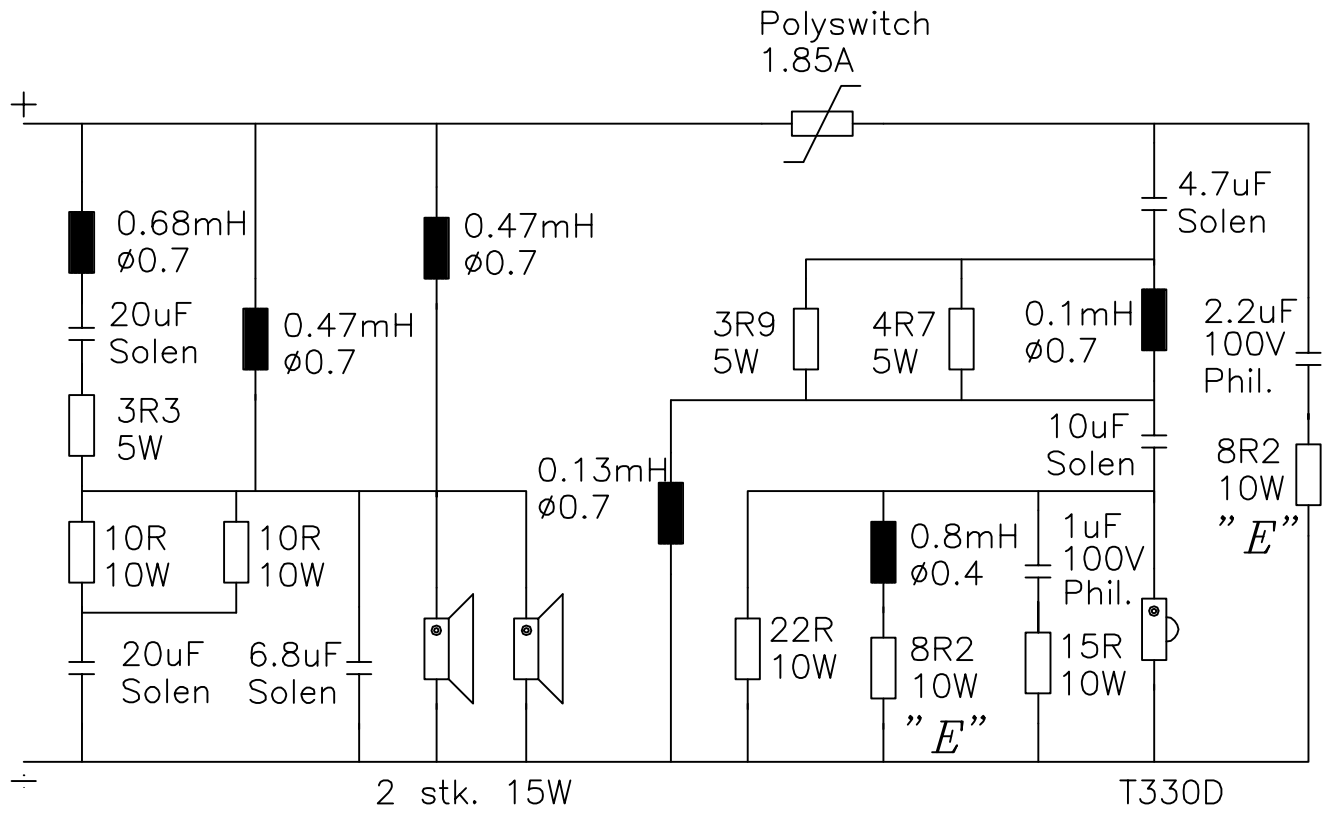


EDITION	DESCRIPTION	REV.
"E"	MODSTAND 9W ÆNDRET TIL 10W + TEGNING OPDATERET	548



CHANGED BY	---	---	---	990825/AL	---	---	---	---	
DATE/CORR.	910827/KMK	910920/KMK	911003/KMK	991111/LM	---	---	---	---	
CONTR./APPR.	AL MT	AL MT	JK MT	---	---	---	---	---	
DESIGNED	910624/AL		DRAWN 910625/KMK		CONTR. AL	APPR. MT	PRINT NO. 26 10 45		
DYNAUDIO	SUBJECT FILTERDIAGRAM M3 AKTIV						DRAWING NO. 353 200		EDITION E