

PCB V6/V4 MAINBOARD
P16006-A
M10

Title TC Electronic A/S		Designer MAR.HK.SAK
Module title MANHATTAN V4		Previous page XX
Number P16006	Revision BBB	Page / of 1 / 11
Date 11-21-2002 9:30	Filename P16006-BBB	

MEM

Page 7/8

Page 11

Page 5

Page 6

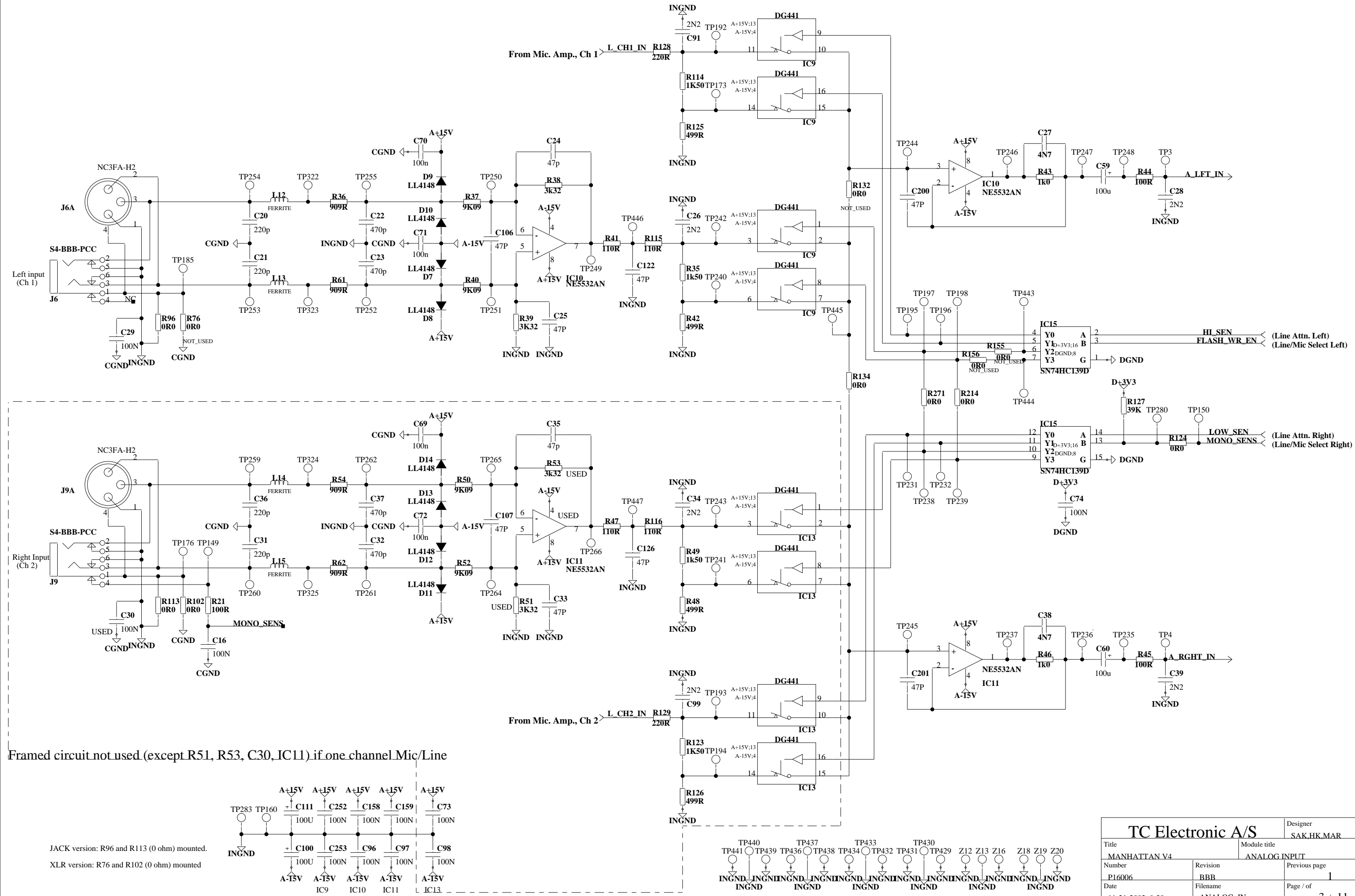
Page 4

Page 3

Page 2

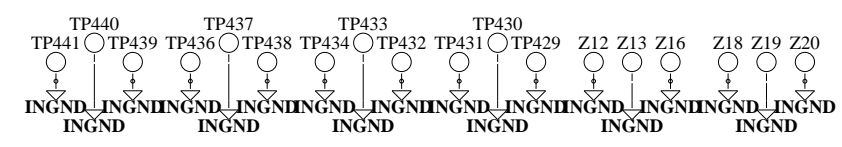
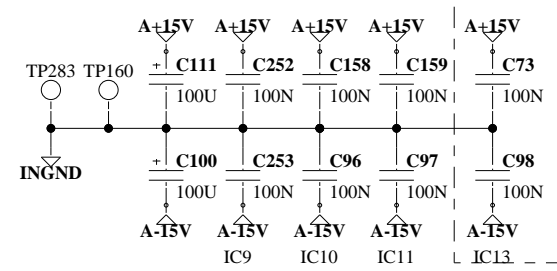
Page 10

Page 9

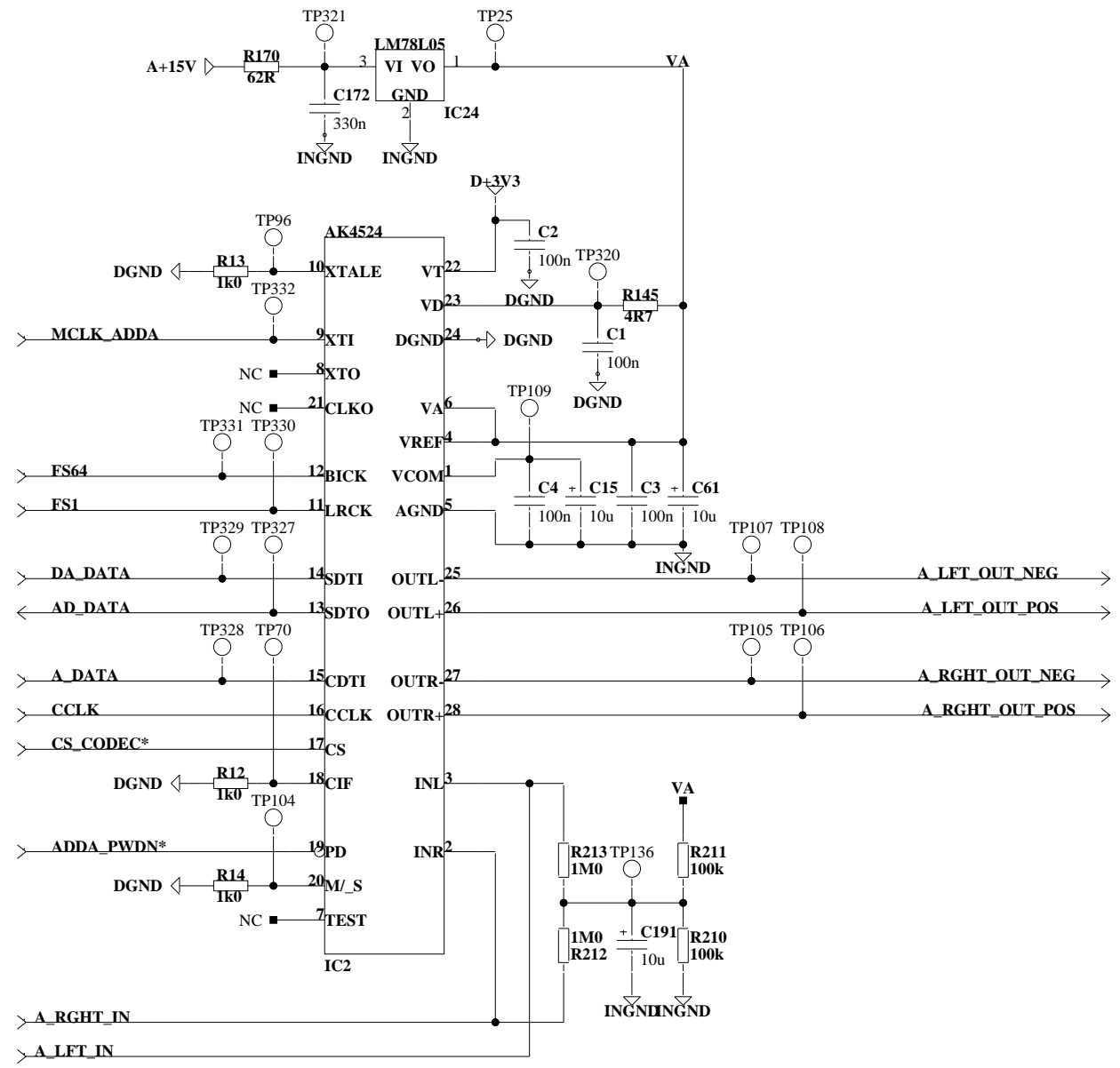


Framed circuit not used (except R51, R53, C30, IC11) if one channel Mic/Line

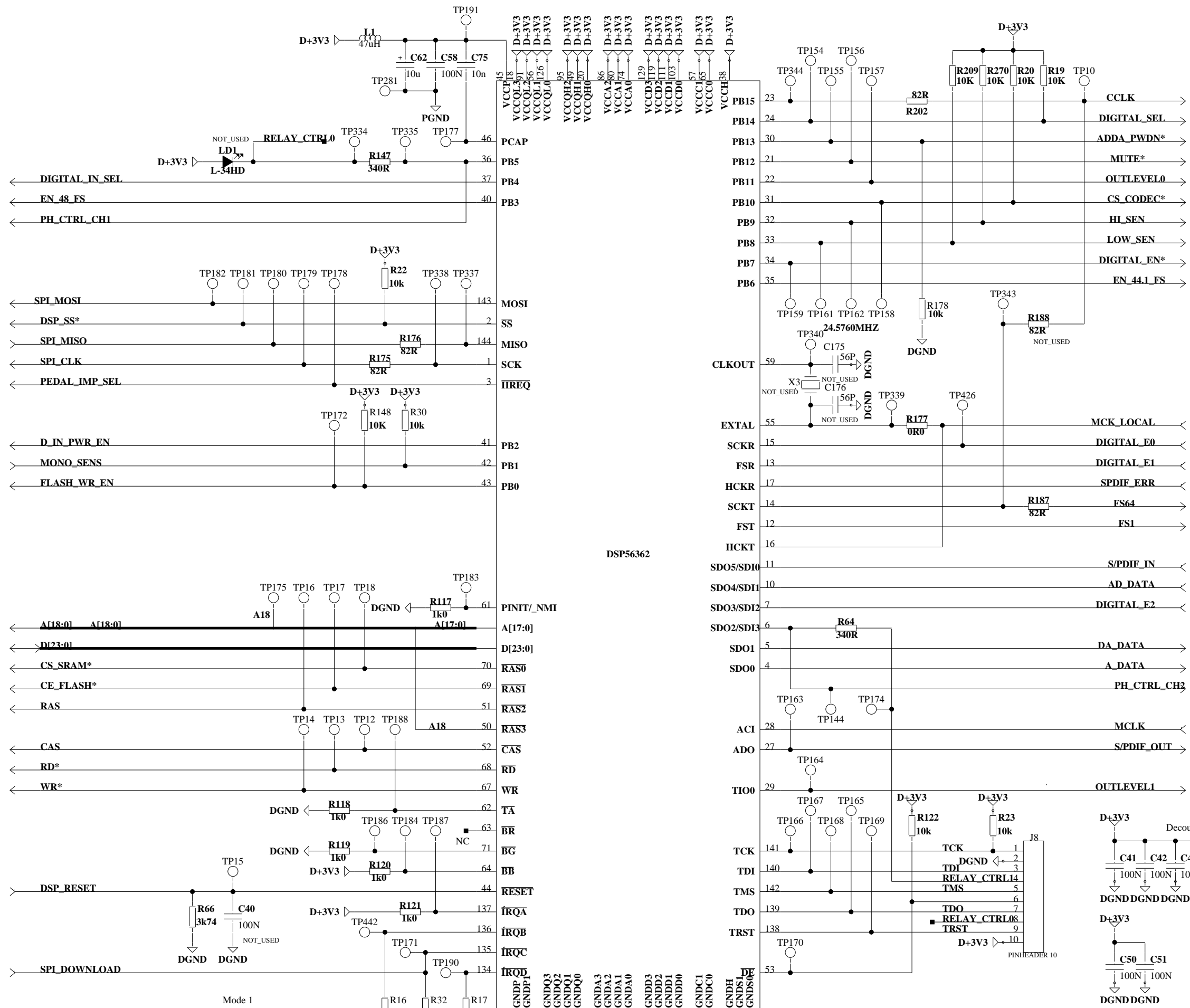
JACK version: R96 and R113 (0 ohm) mounted.
 XLR version: R76 and R102 (0 ohm) mounted



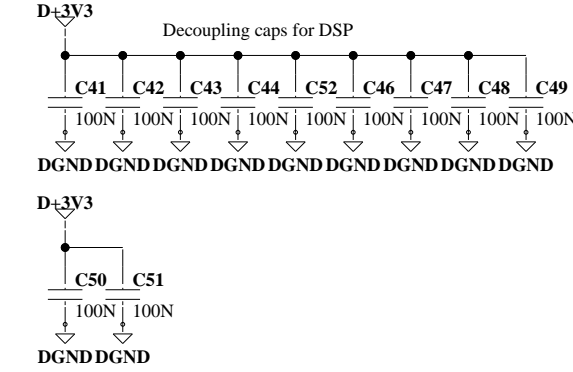
TC Electronic A/S		Designer SAK.HK.MAR
Title MANHATTAN V4	Module title ANALOG INPUT	
Number P16006	Revision BBB	Previous page 1
Date 11-21-2002 9:30	Filename ANALOG IN	Page / of 3 / 11



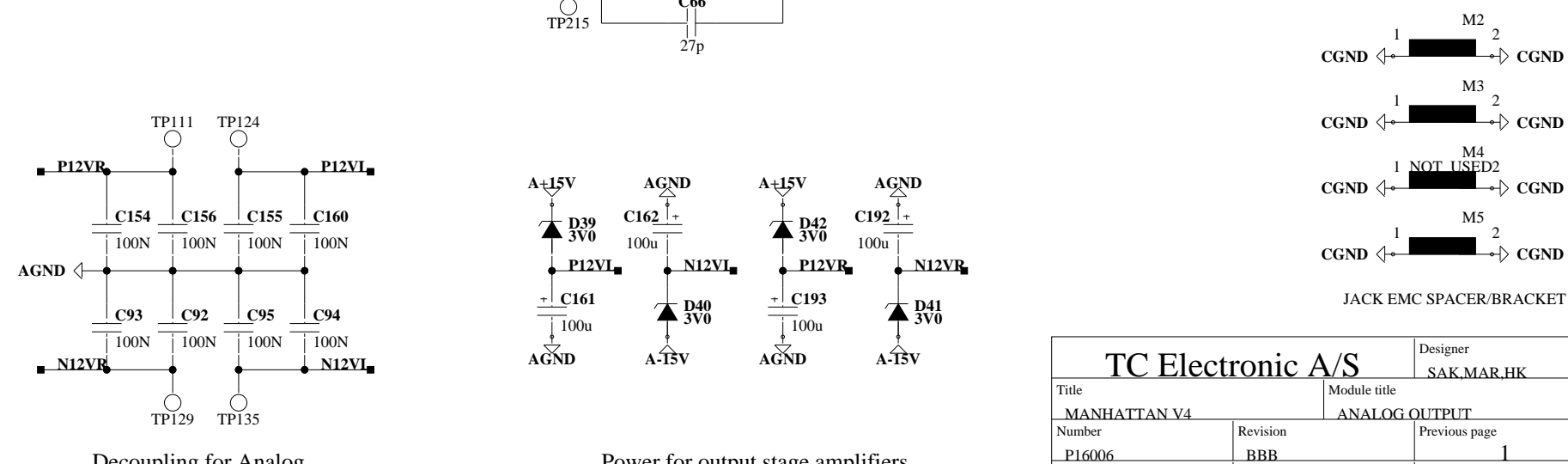
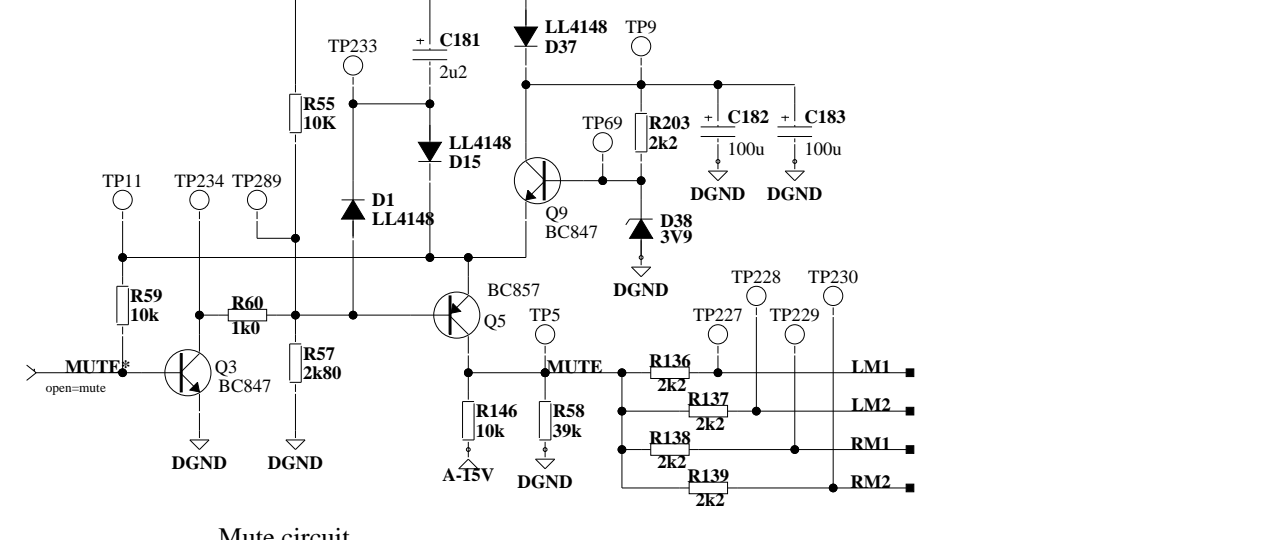
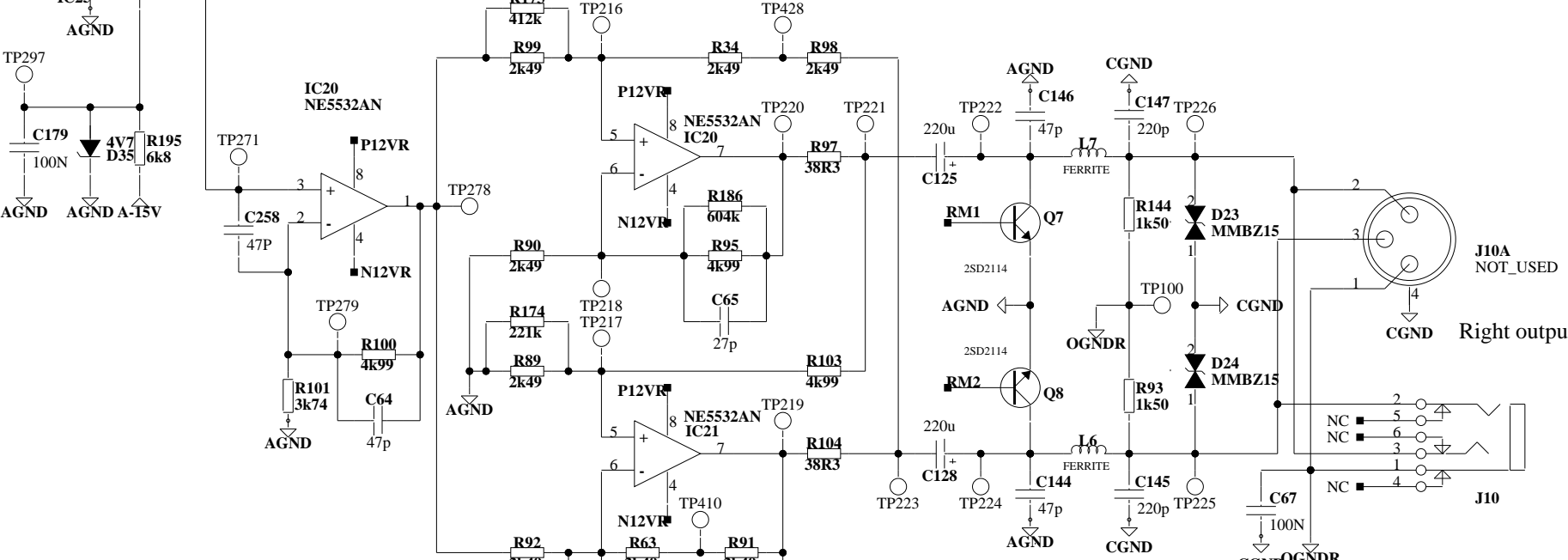
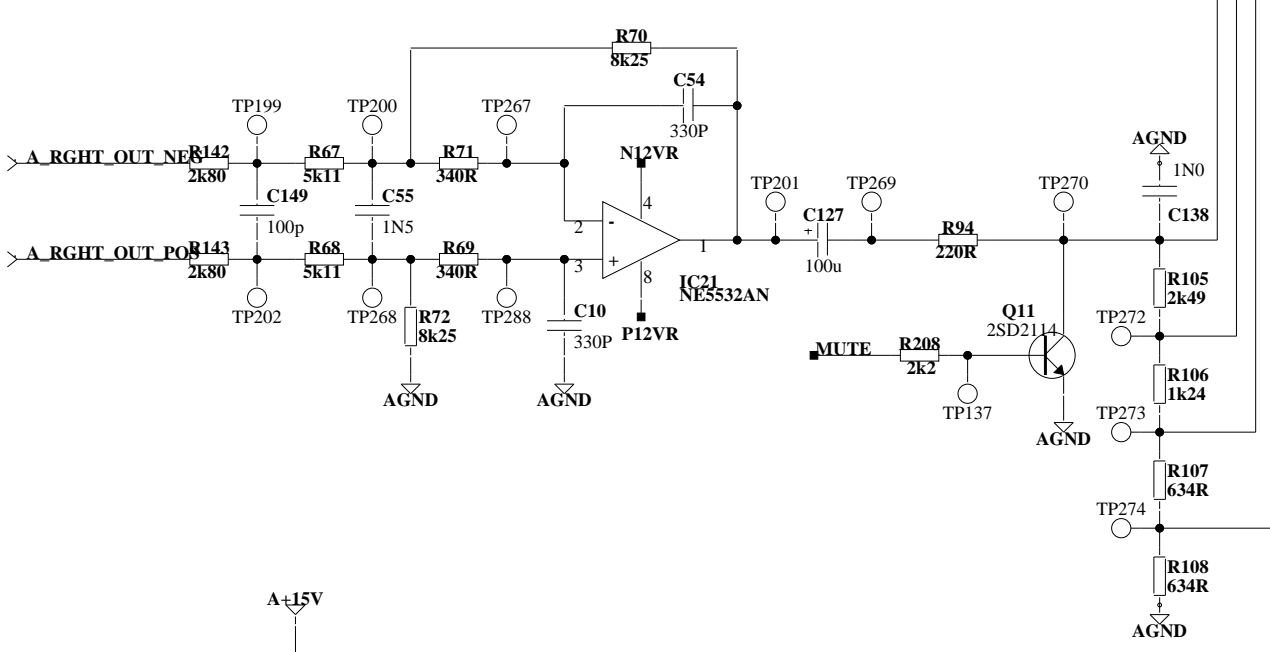
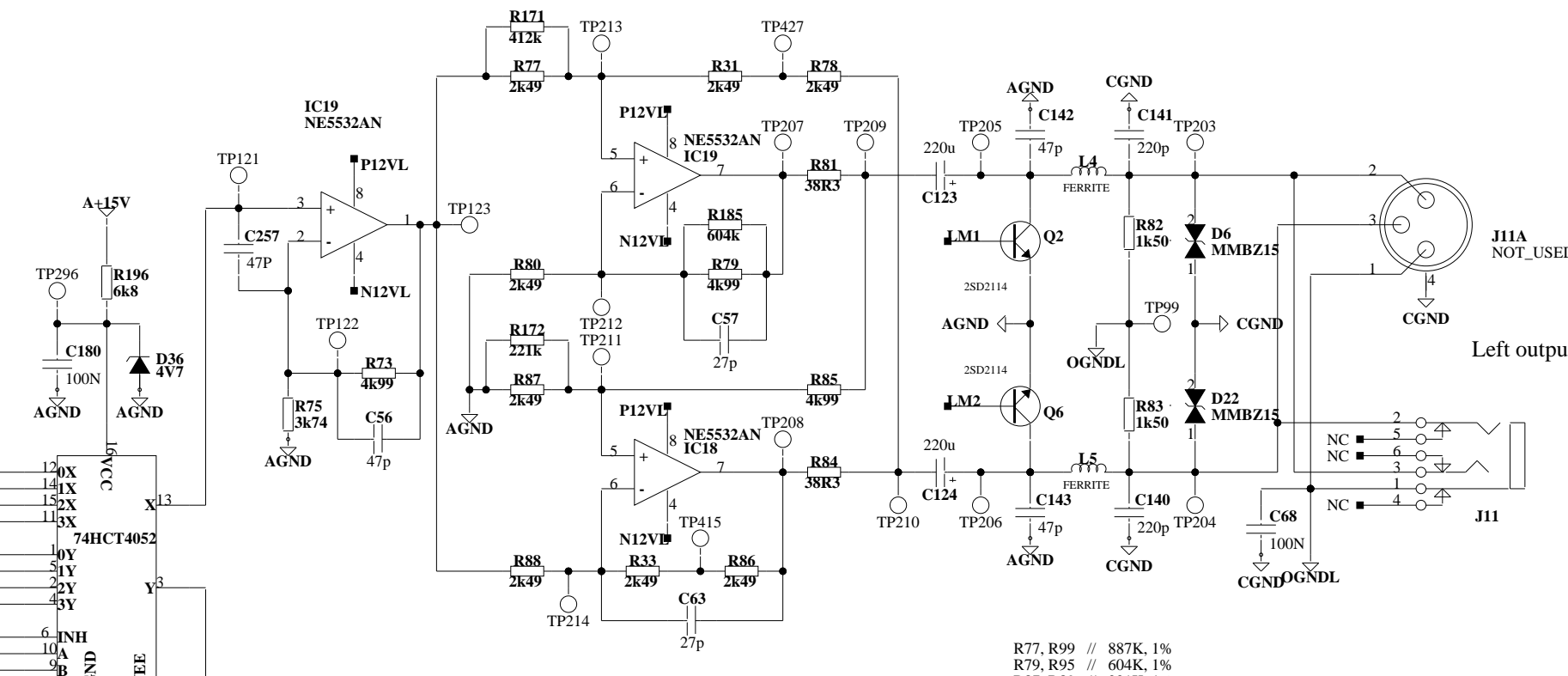
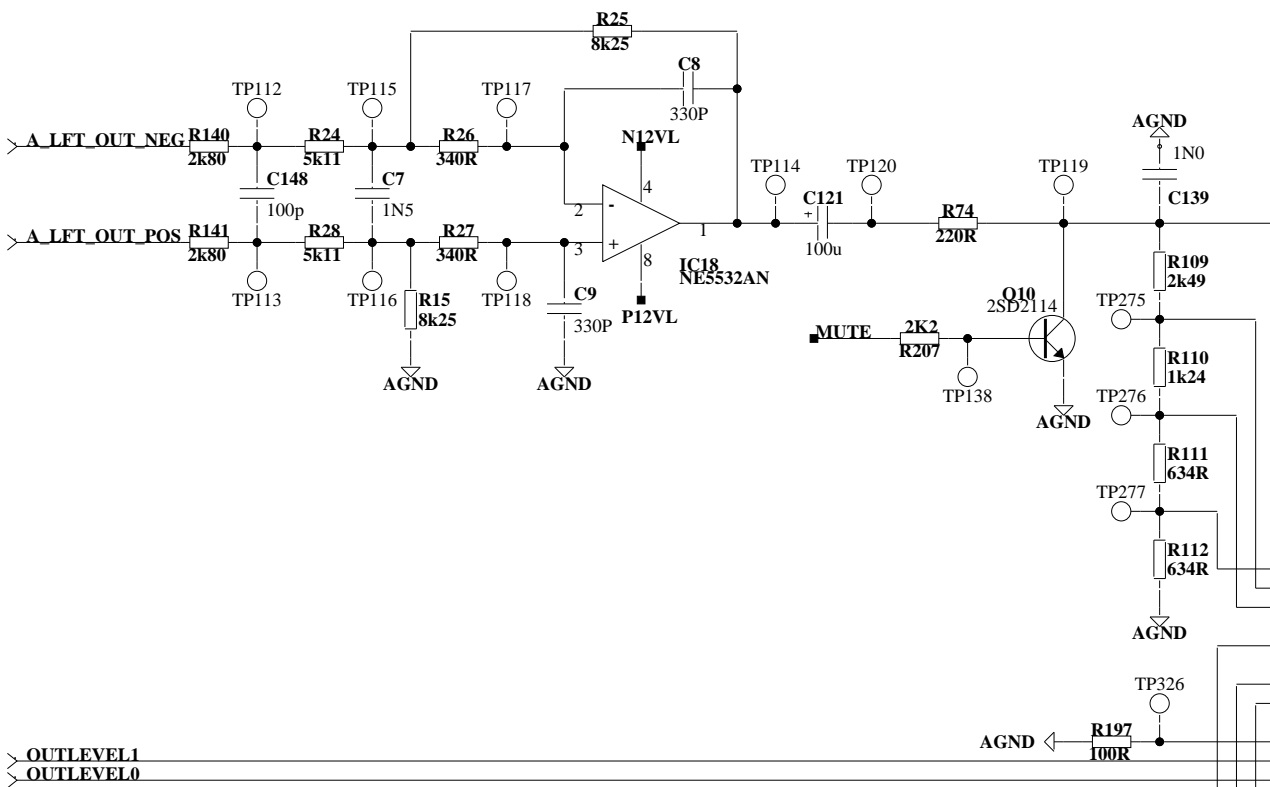
TC Electronic A/S		Designer SAK.MAR
Title MANHATTAN V4	Module title CODEC	
Number P16006	Revision BBB	Previous page 1
Date 11-21-2002 9:31	Filename CODEC	Page / of 4 / 11



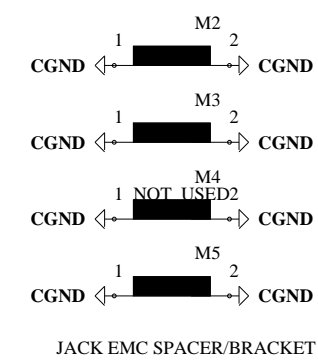
Pull High to boot from SPI
Boot from Ext. 8 bit memory



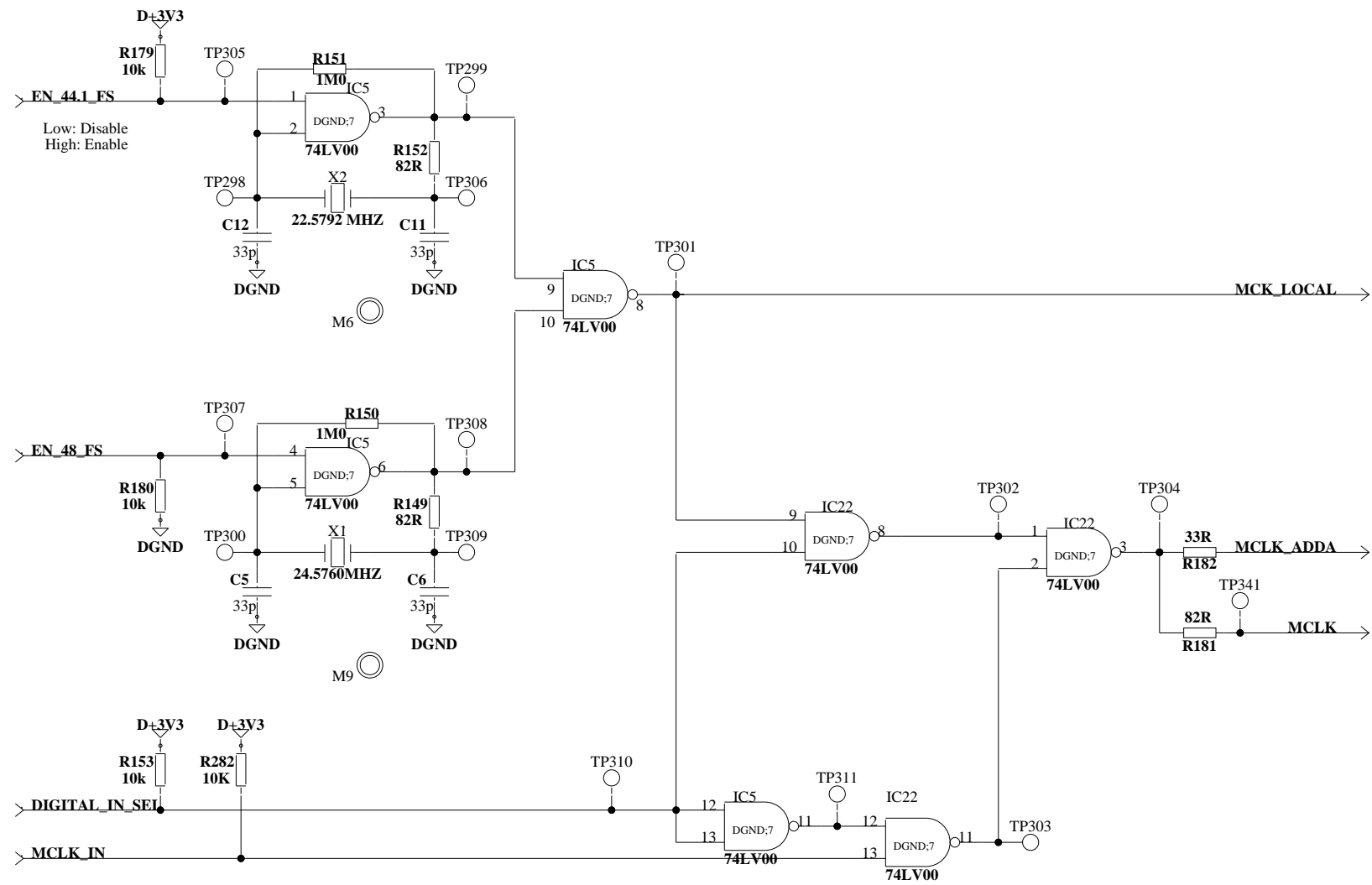
Title		Module title		Designer	
MANHATTAN V4		DSP		MAR	
Number	Revision	Previous page			
P16006	BBB	1			
Date	Filename	Page / of			
11-21-2002 9:31	DSP	6 / 11			



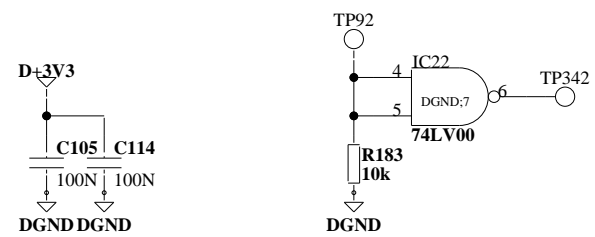
R77, R99 // 887K, 1%
 R79, R95 // 604K, 1%
 R87, R89 // 221K, 1%



TC Electronic A/S		Designer SAK.MAR.HK
Title MANHATTAN V4	Module title ANALOG OUTPUT	
Number P16006	Revision BBB	Previous page 1
Date 11-21-2002 9:32	Filename ANALOG_OUT	Page / of 5 / 11

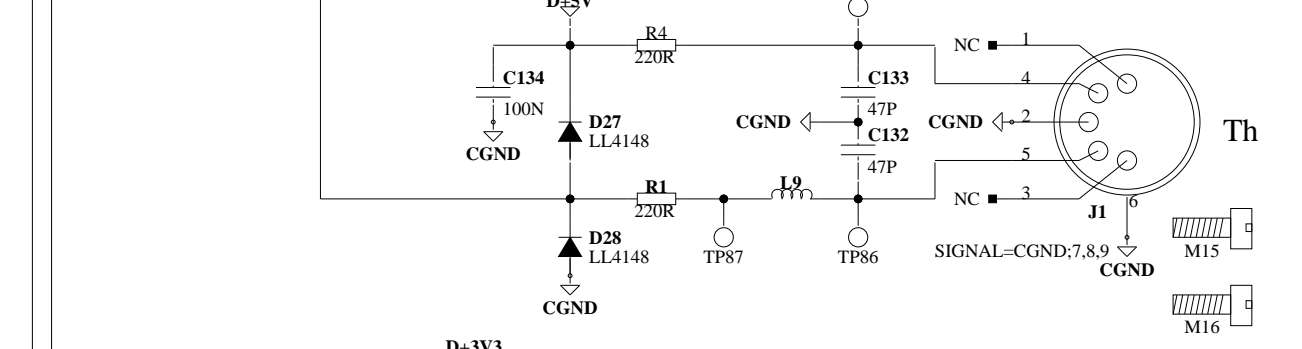
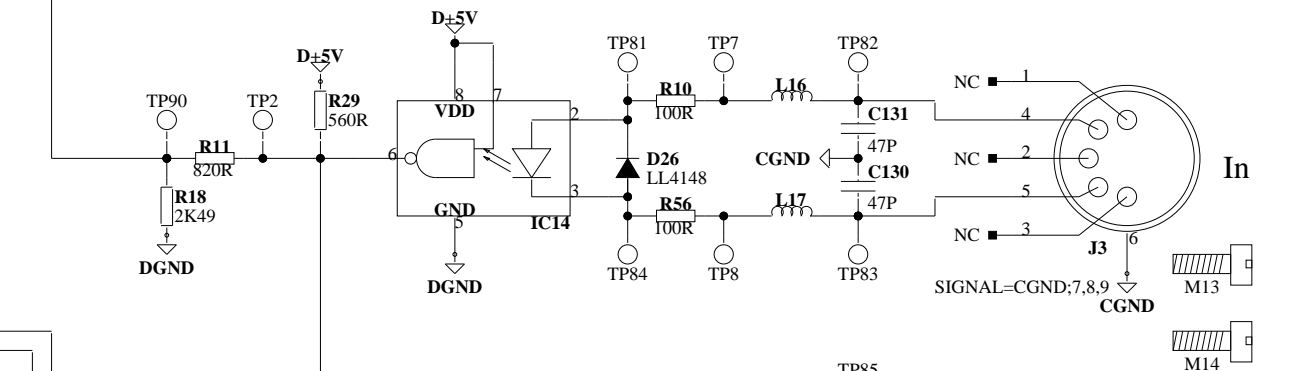
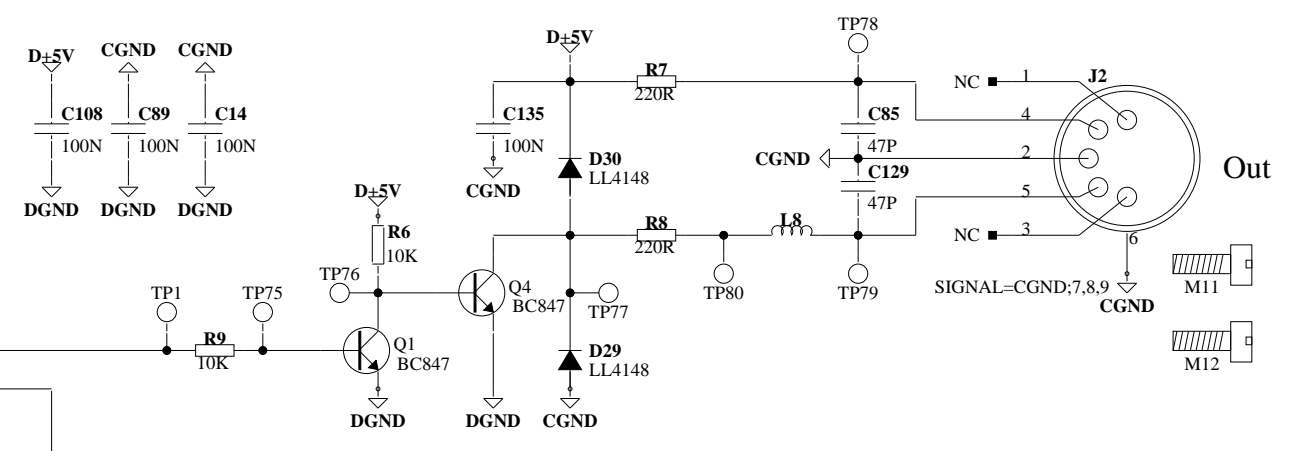
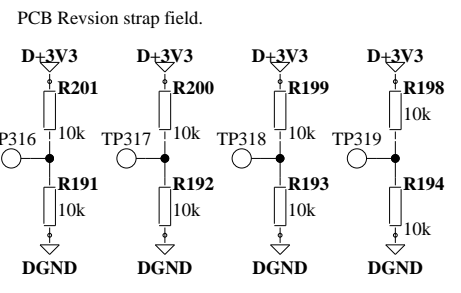
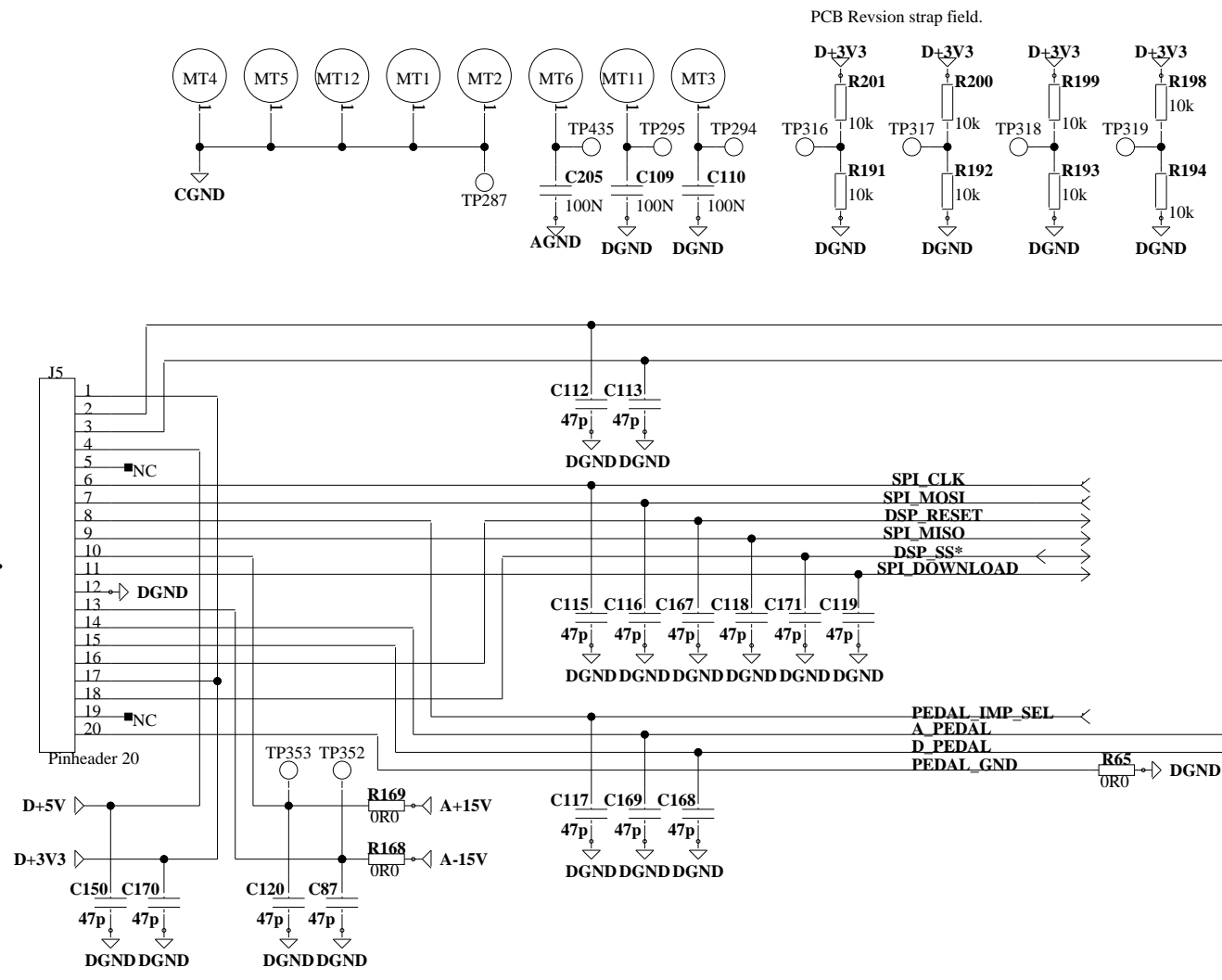


R282 should be mounted when digital input (IC1) is not used.
To prevent non-terminated input.

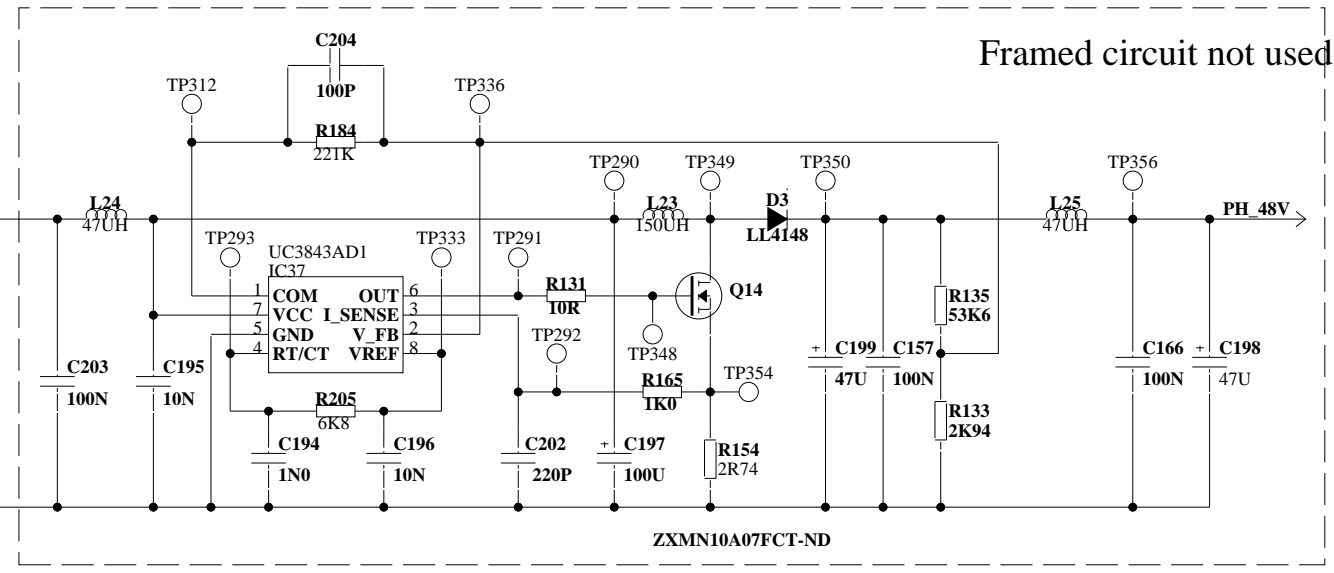
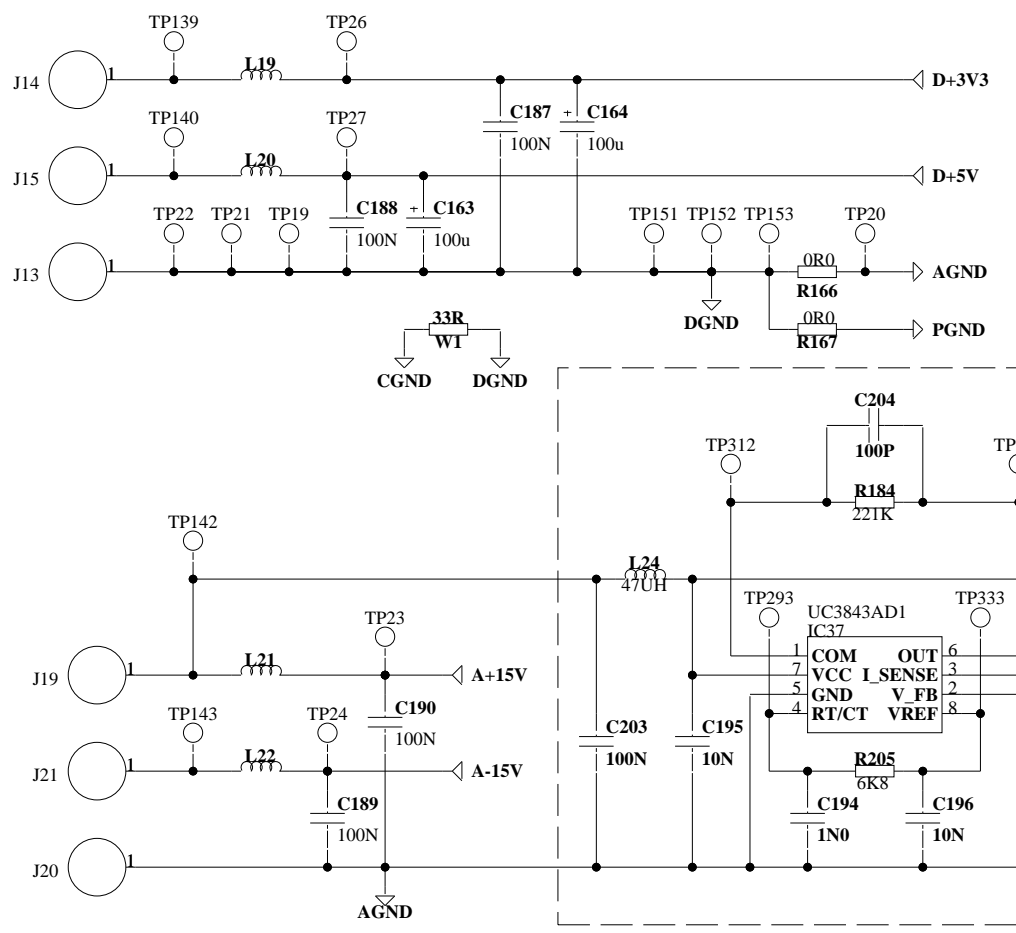


TC Electronic A/S		Designer MAR
Title MANHATTAN V4	Module title CLOCK	
Number P16006	Revision BBB	Previous page 1
Date 11-21-2002 9:31	Filename CLOCK	Page / of 9 / 11

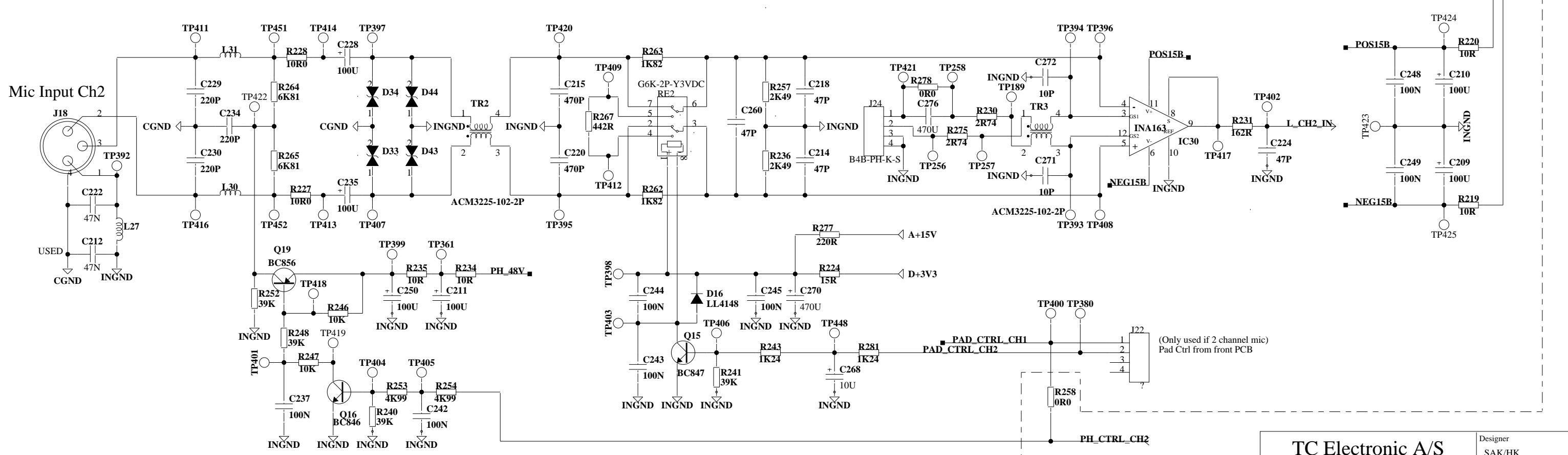
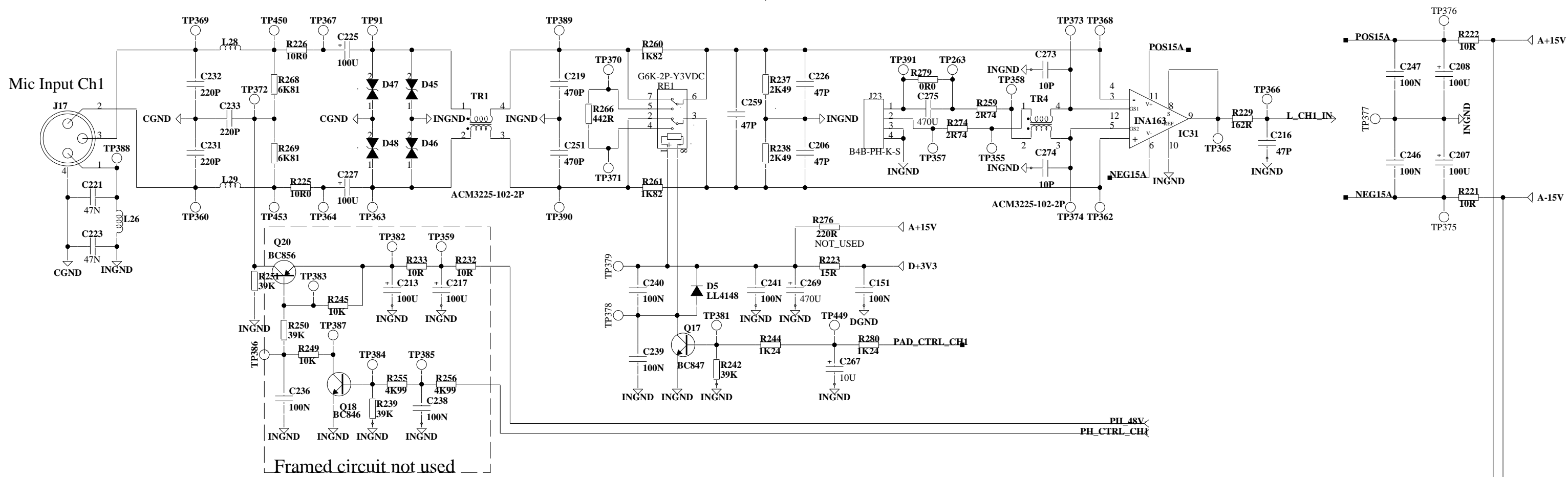
Front Conn.



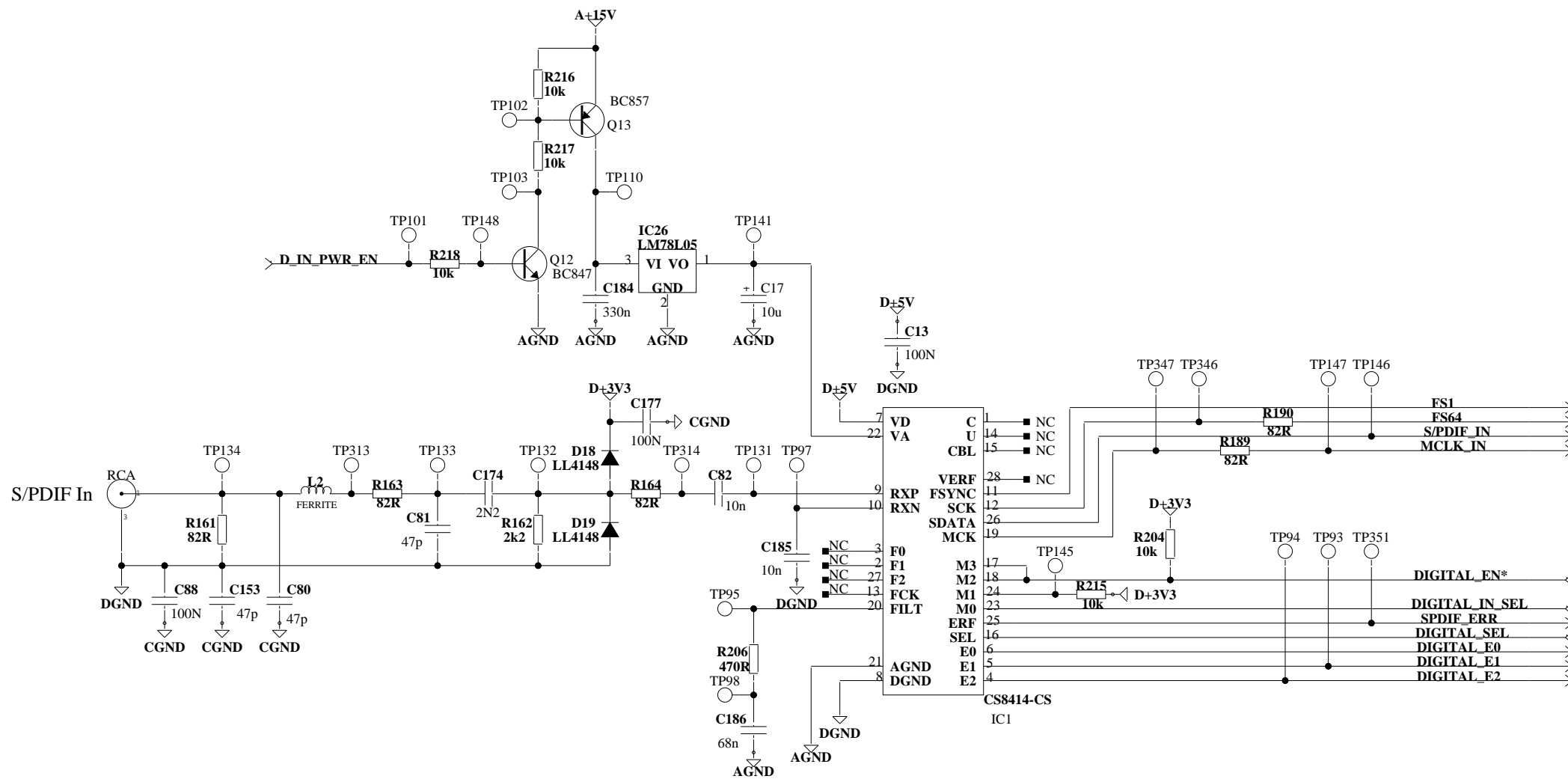
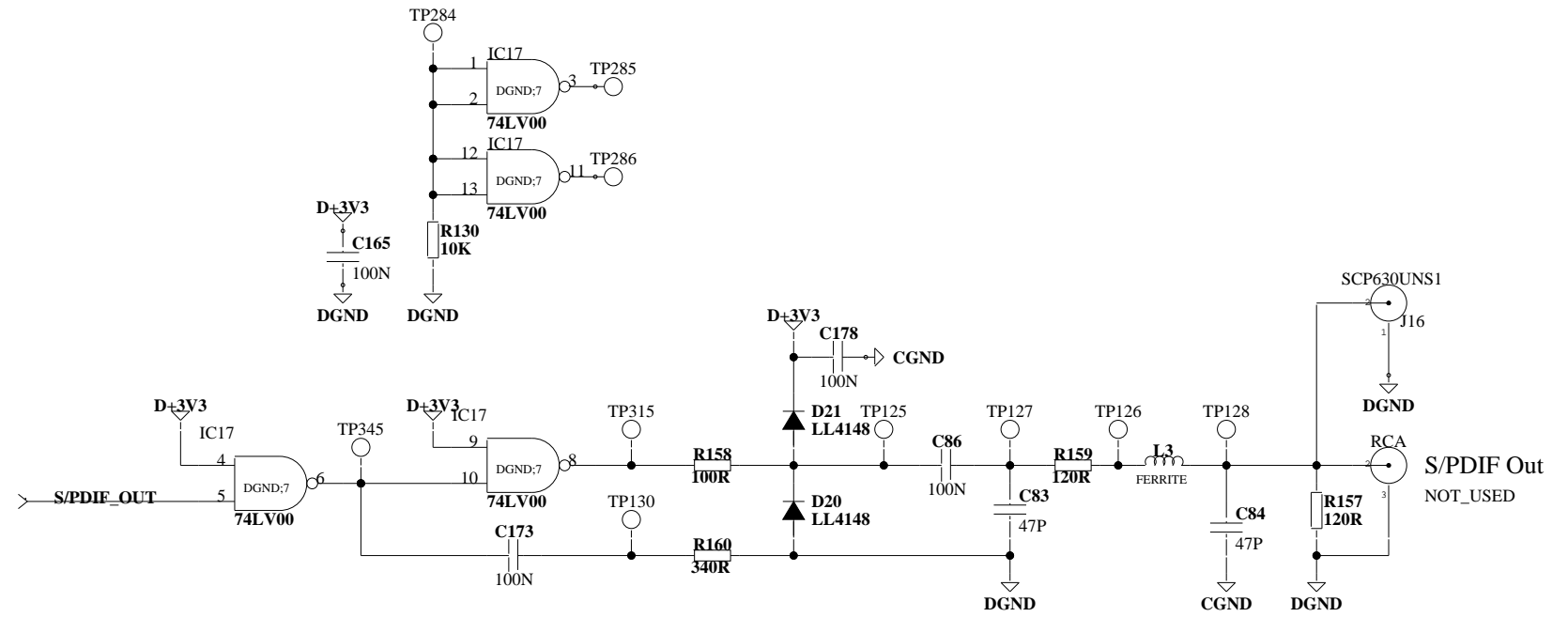
Power Supply Connection



TC Electronic A/S		Designer SAK.MAR
Title MANHATTAN V4	Module title INTERFACE TO FRONT AND POWER	Previous page 1
Number P16006	Revision BBB	Page / of 11 / 11
Date 11-21-2002 9:32	Filename INTERFACE	

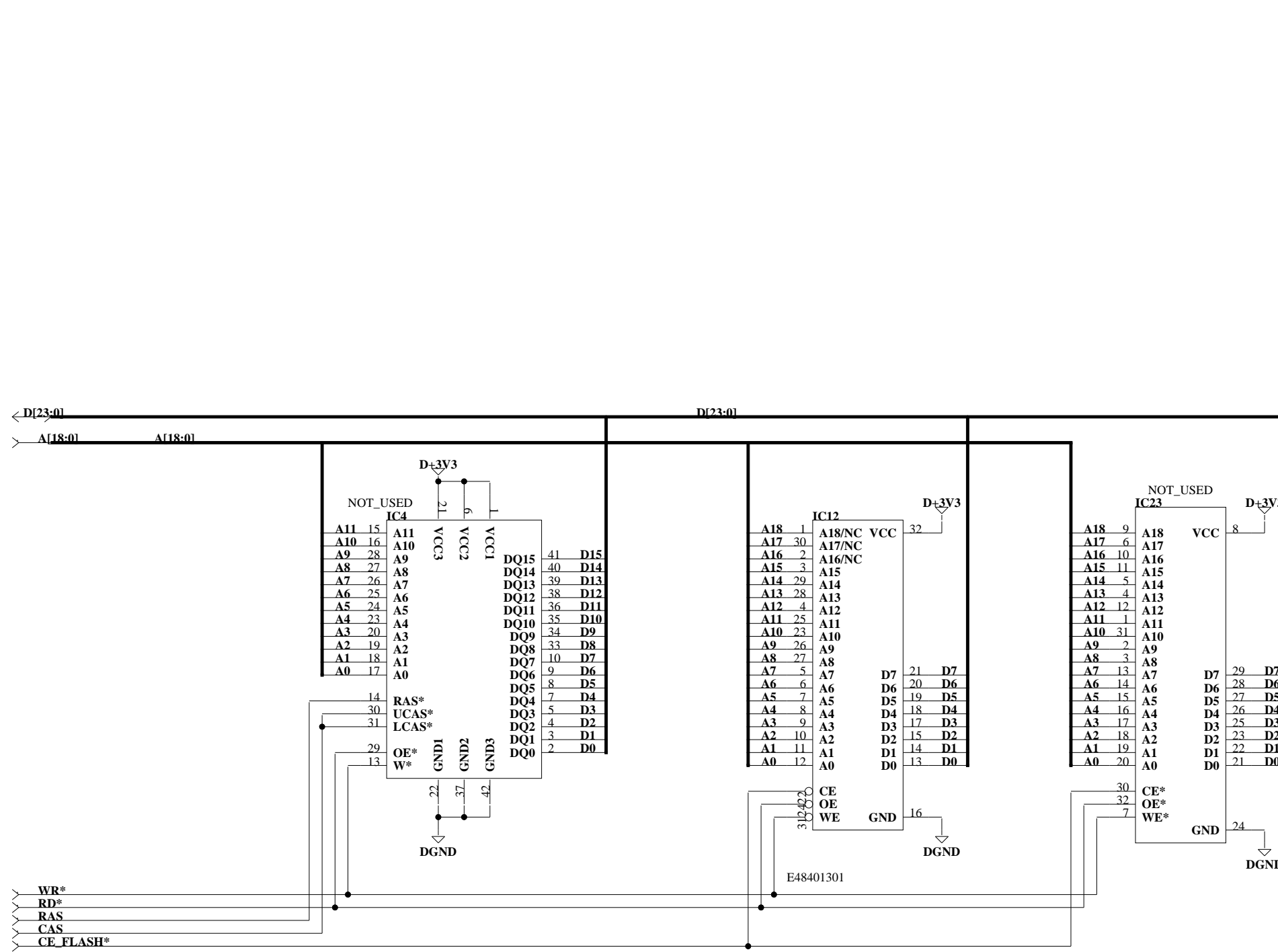


TC Electronic A/S		Designer SAK/HK
Title MANHATTAN V4	Module title MIC INPUT	
Number P16006	Revision BBB	Previous page 1
Date 11-21-2002 9:30	Filename MIC_IN	Page / of 2 / 11



Framed circuit not used (except C88).

TC Electronic A/S		Designer MAR
Title MANHATTAN V4		Module title DIGITAL INPUT/OUTPUT
Number P16006	Revision BBB	Previous page 1
Date 11-21-2002 9:31	Filename DIGITAL_IO	Page / of 10 / 11

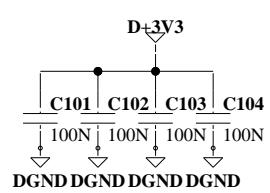


- A[17:0]
- A17 ○ TP282
- A16 ○ TP60
- A15 ○ TP59
- A14 ○ TP57
- A13 ○ TP58
- A12 ○ TP53
- A11 ○ TP54
- A10 ○ TP55
- A9 ○ TP56
- A8 ○ TP46
- A7 ○ TP47
- A6 ○ TP49
- A5 ○ TP48
- A4 ○ TP52
- A3 ○ TP51
- A2 ○ TP50
- A1 ○ TP61
- A0 ○ TP45

- D[23:0]
- D23 ○ TP28
- D22 ○ TP29
- D21 ○ TP30
- D20 ○ TP31
- D19 ○ TP32
- D18 ○ TP33
- D17 ○ TP34
- D16 ○ TP35
- D15 ○ TP36
- D14 ○ TP37
- D13 ○ TP39
- D12 ○ TP38
- D11 ○ TP43
- D10 ○ TP42
- D9 ○ TP41
- D8 ○ TP40
- D7 ○ TP44
- D6 ○ TP68
- D5 ○ TP67
- D4 ○ TP65
- D3 ○ TP66
- D2 ○ TP62
- D1 ○ TP63
- D0 ○ TP64

I12

Note: Only one of the Flash types are mounted



SOJ36/300 mil - 128k/512k

SOJ36/400 mil - 128k/512k

