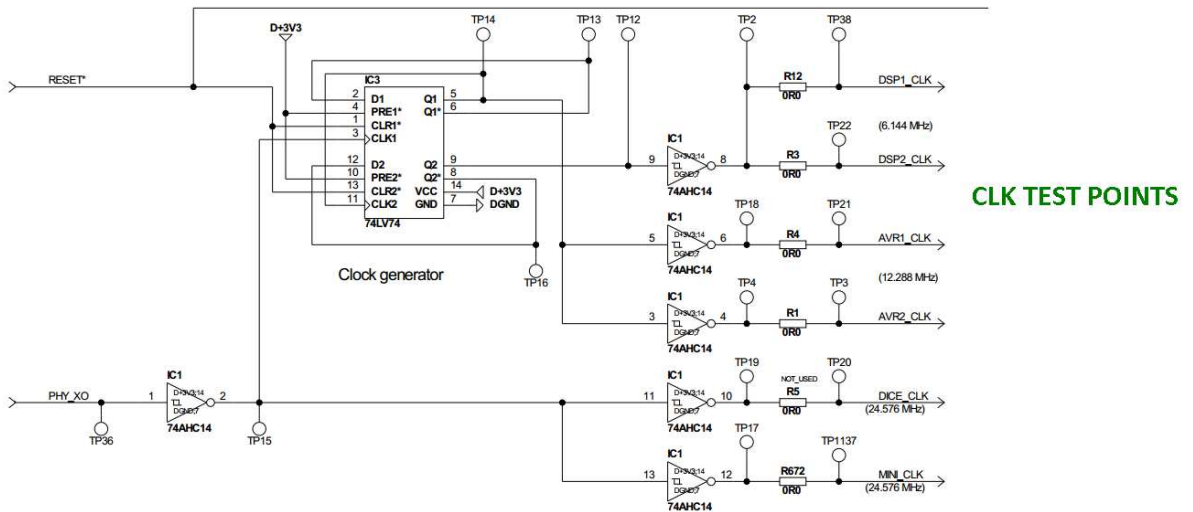


Service Note		
Products	Description:	Service note no.
Studio Konnekt 48	Unit will not start up	SNo-T209

Reason for note:

Some customers have experienced issues where their unit will not start up or boot up correctly.

Actions:

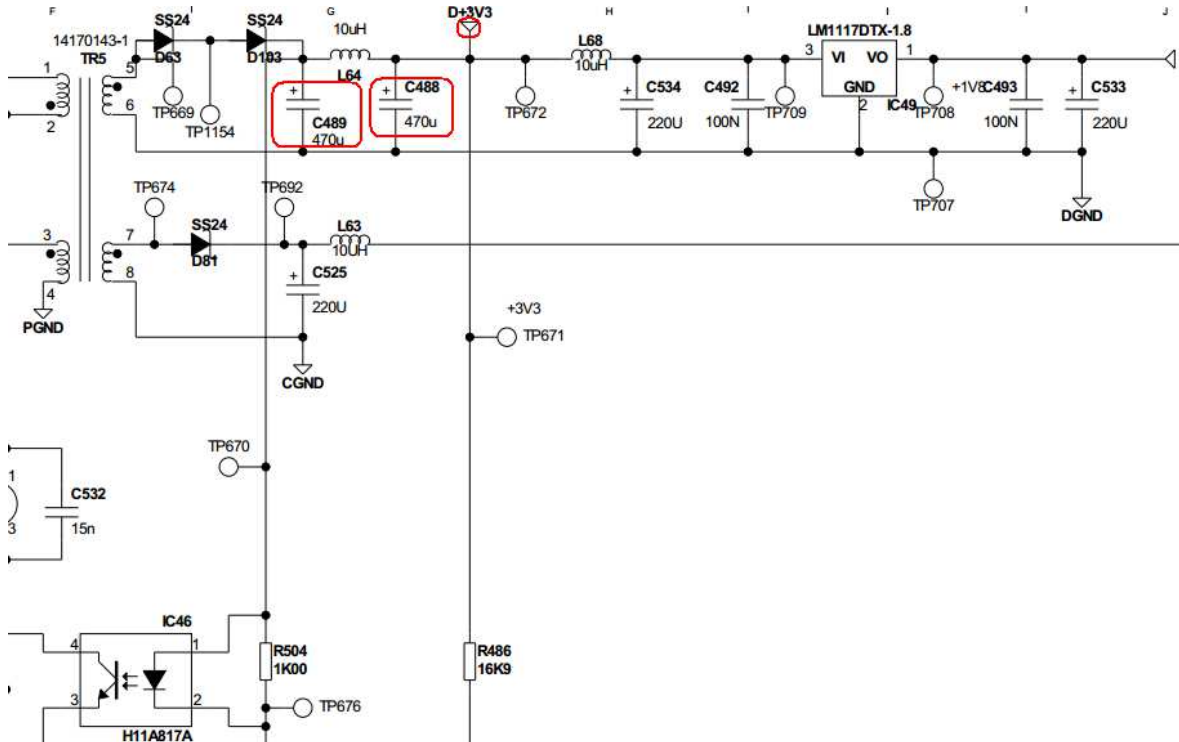


If RESET Line is being constantly asserted (Active-Low), it could be an issue with the filter capacitors in the 3V3+ Line. Using an oscilloscope, check CLK points for DSP1, DSP 2, AVR and DICE. If you notice patterns such as;



And the unit seems to be trying to boot up, the 3V3+ Rail must be suspected. Get to the PSU section of the Mainboard schematic;

Service Note		
Products	Description:	Service note no.
Studio Konnekt 48	Unit will not start up	SNo-T209



Locate these 2 capacitors (they're to the right of the SMPS solder points) and place your oscilloscope probe on the top of each one. If a similar oscilloscope readout to the previous RESET line status, then try replacing these 2 caps. Go for at least a 10V/105 Degrees value electrolytic.

IMPORTANT:

Please handle this as a standard repair