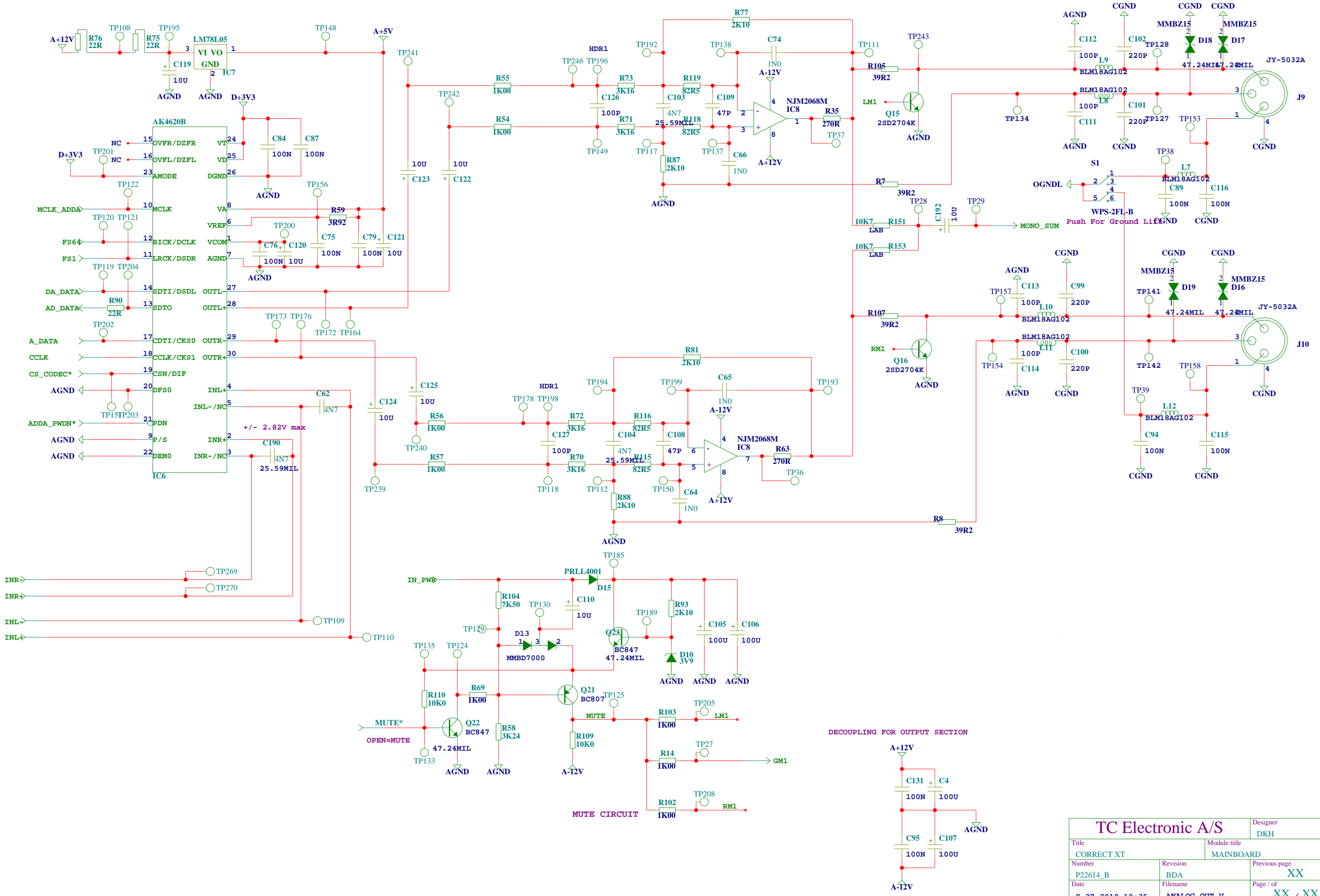
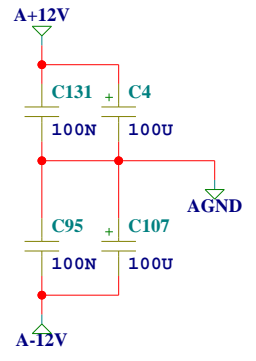


P22614-B
M1

TC Electronic A/S		Designer DKH
Title CORRECT XT		Module title MAINBOARD
Number P22614_B	Revision BDA	Previous page XX
Date 8-31-2010 8:18	Filename P22614-B	Page / of XX / XX

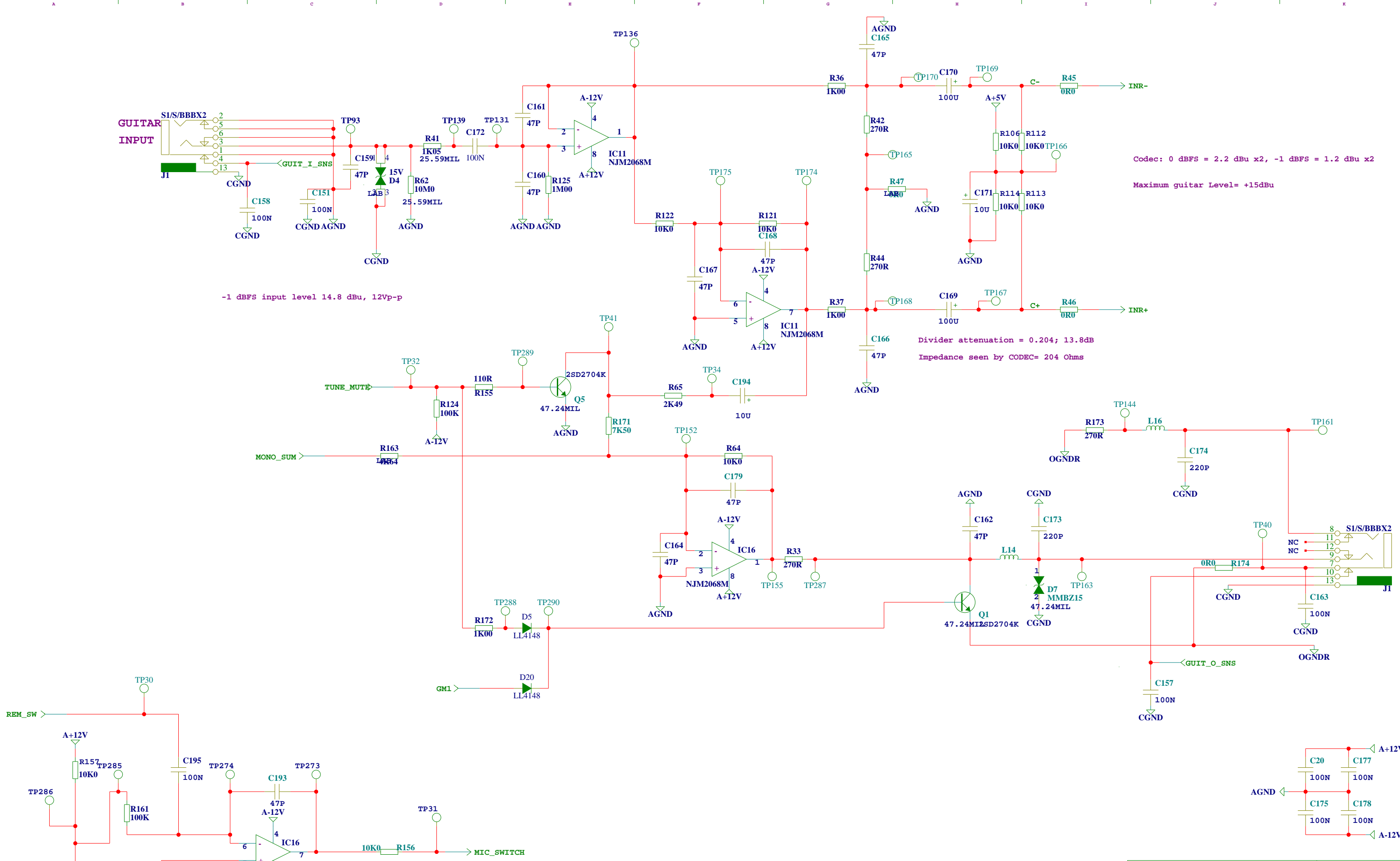


DECOUPLING FOR OUTPUT SECTION



TC Electronic A/S

Title		Module title	
CORRECT XT		MAINBOARD	
Number	Revision	Previous page	
P22614_B	BDA	XX	
Date	Filename	Page / of	
8-27-2010 10:35	ANALOG_OUT_V	XX / XX	

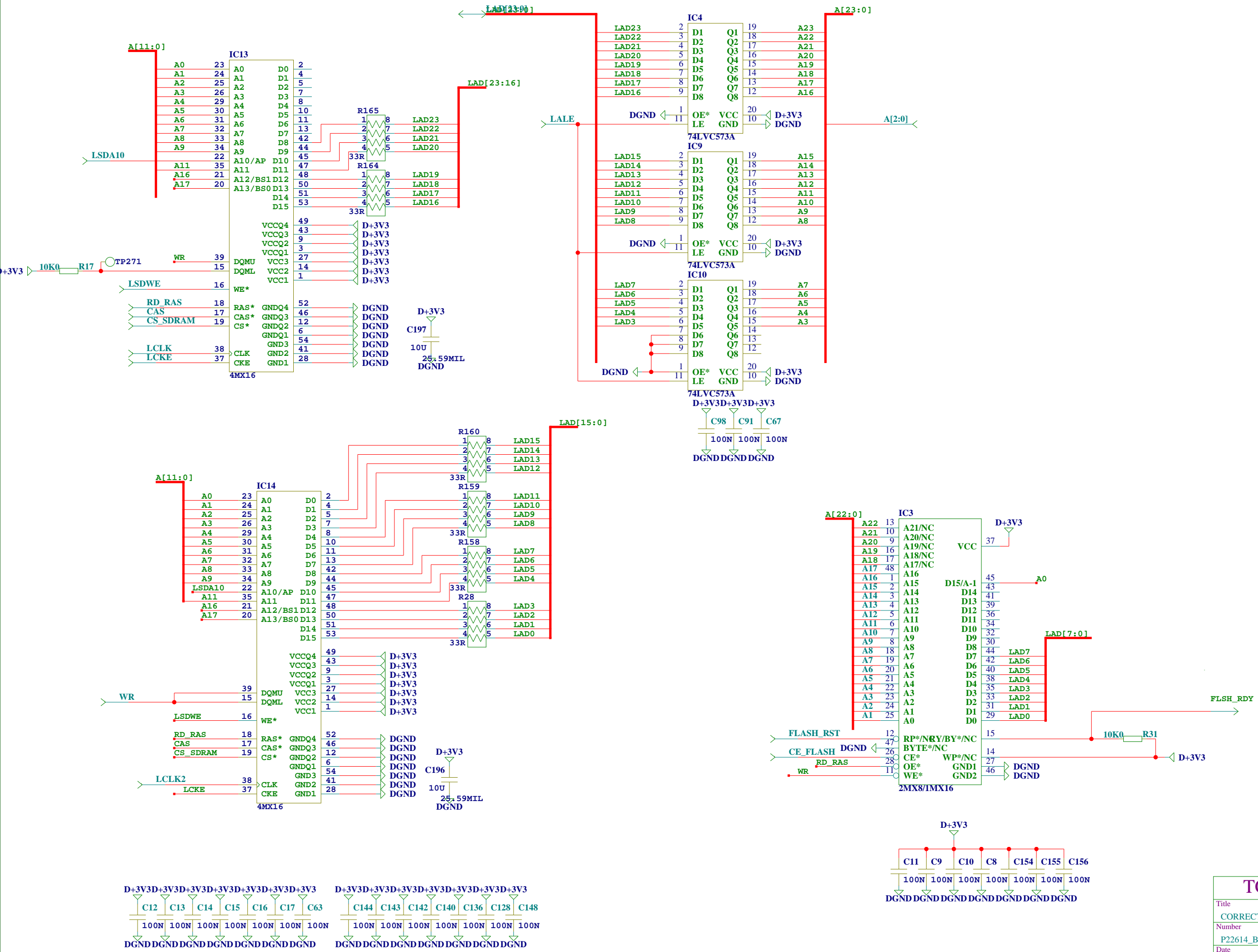


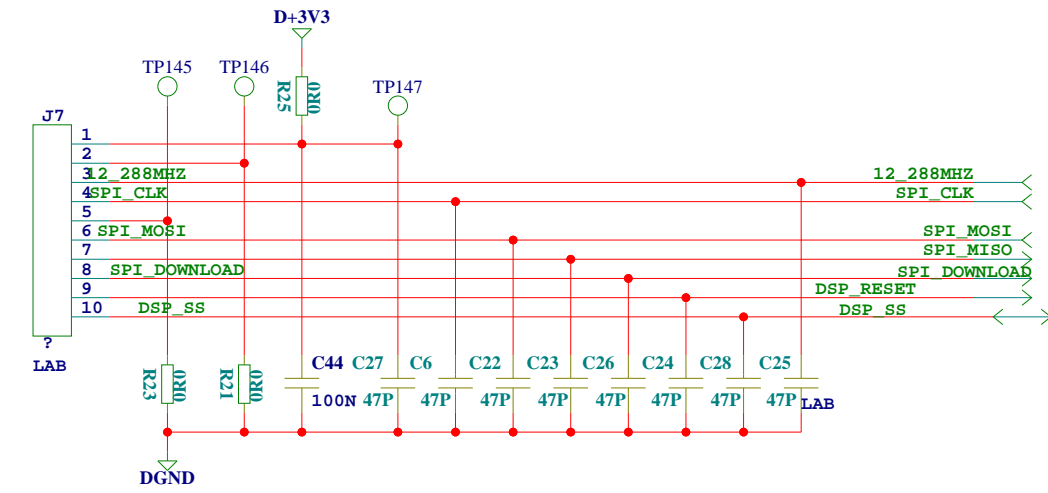
-1 dBFS input level 14.8 dBu, 12Vp-p

Codec: 0 dBFS = 2.2 dBu x2, -1 dBFS = 1.2 dBu x2
 Maximum guitar Level= +15dBu

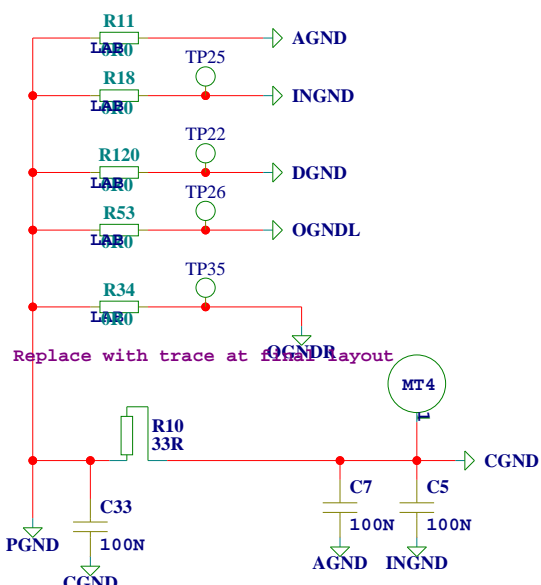
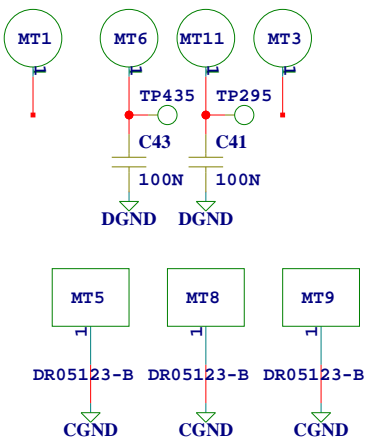
Divider attenuation = 0.204; 13.8dB
 Impedance seen by CODEC= 204 Ohms

TC Electronic A/S		Designer DKH
Title CORRECT XT		Module title MAINBOARD
Number P22614_B	Revision BDA	Previous page XX
Date 8-31-2010 8:30	Filename GUITAR_INPUT	Page / of 1 / 1



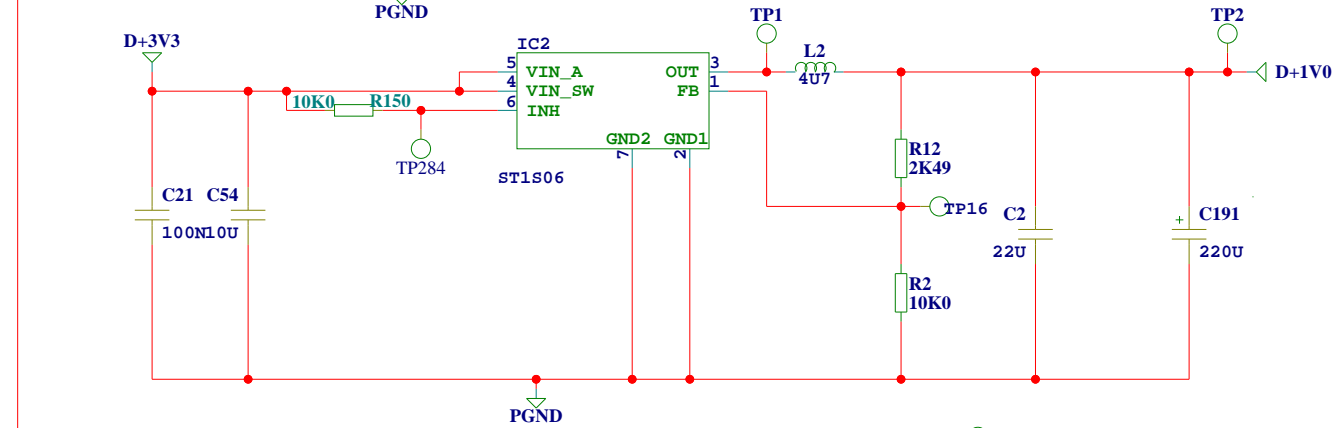
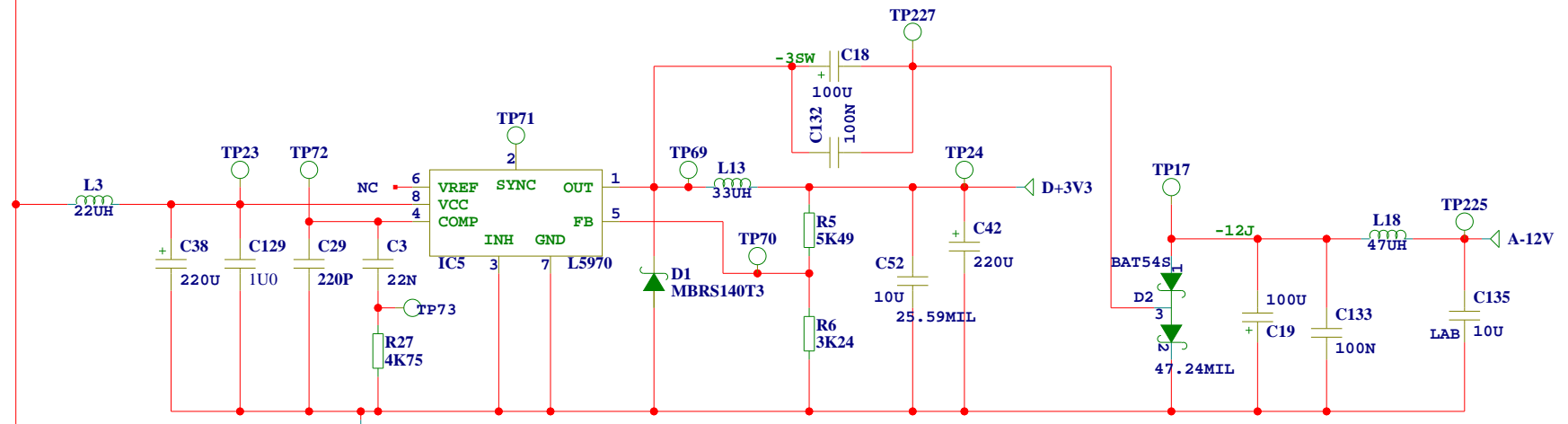
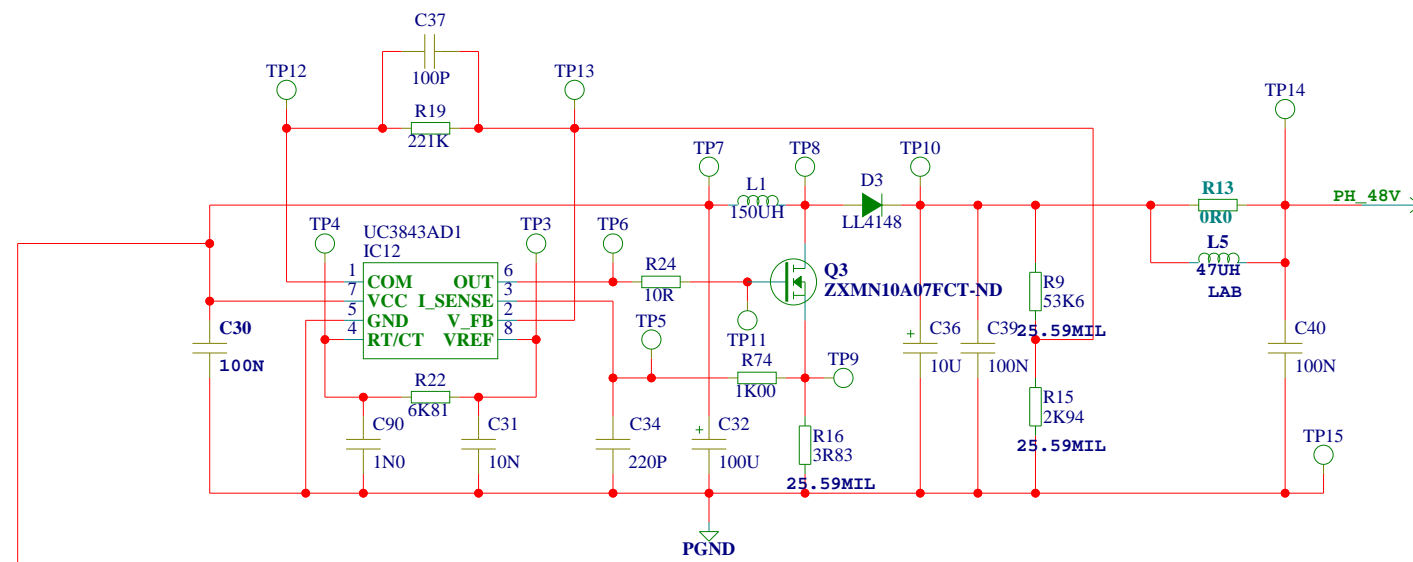
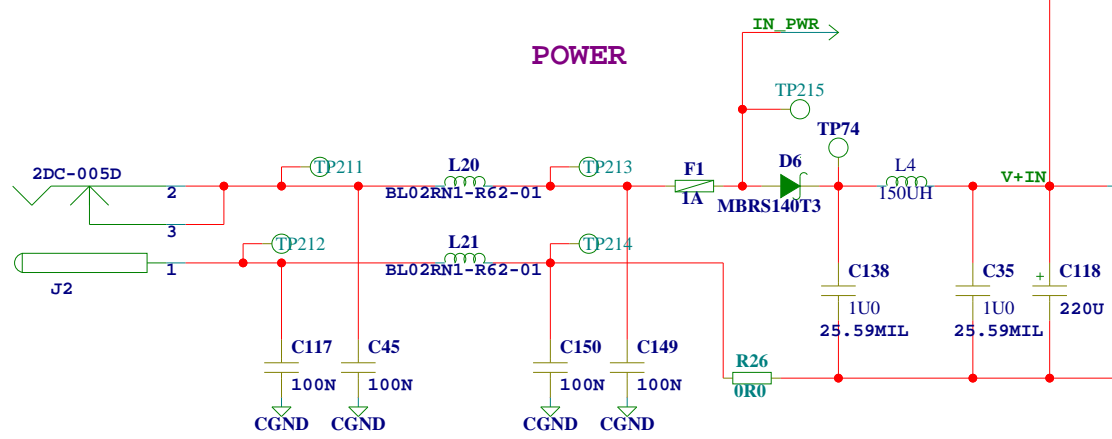


UI Connector

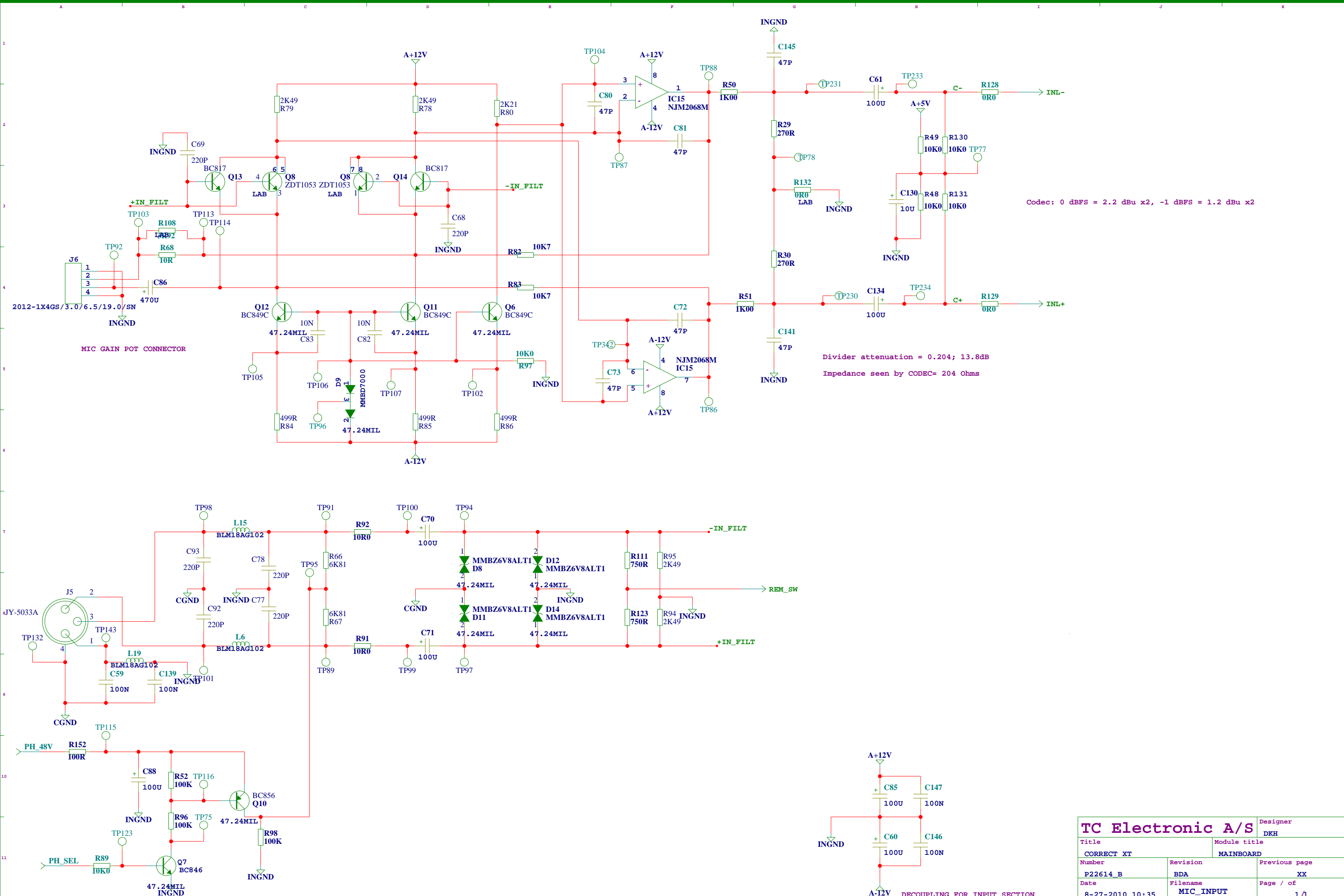


Replace with trace at PCB layout

POWER



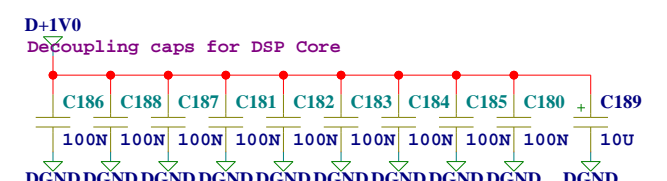
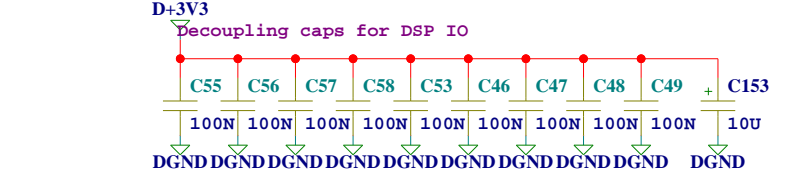
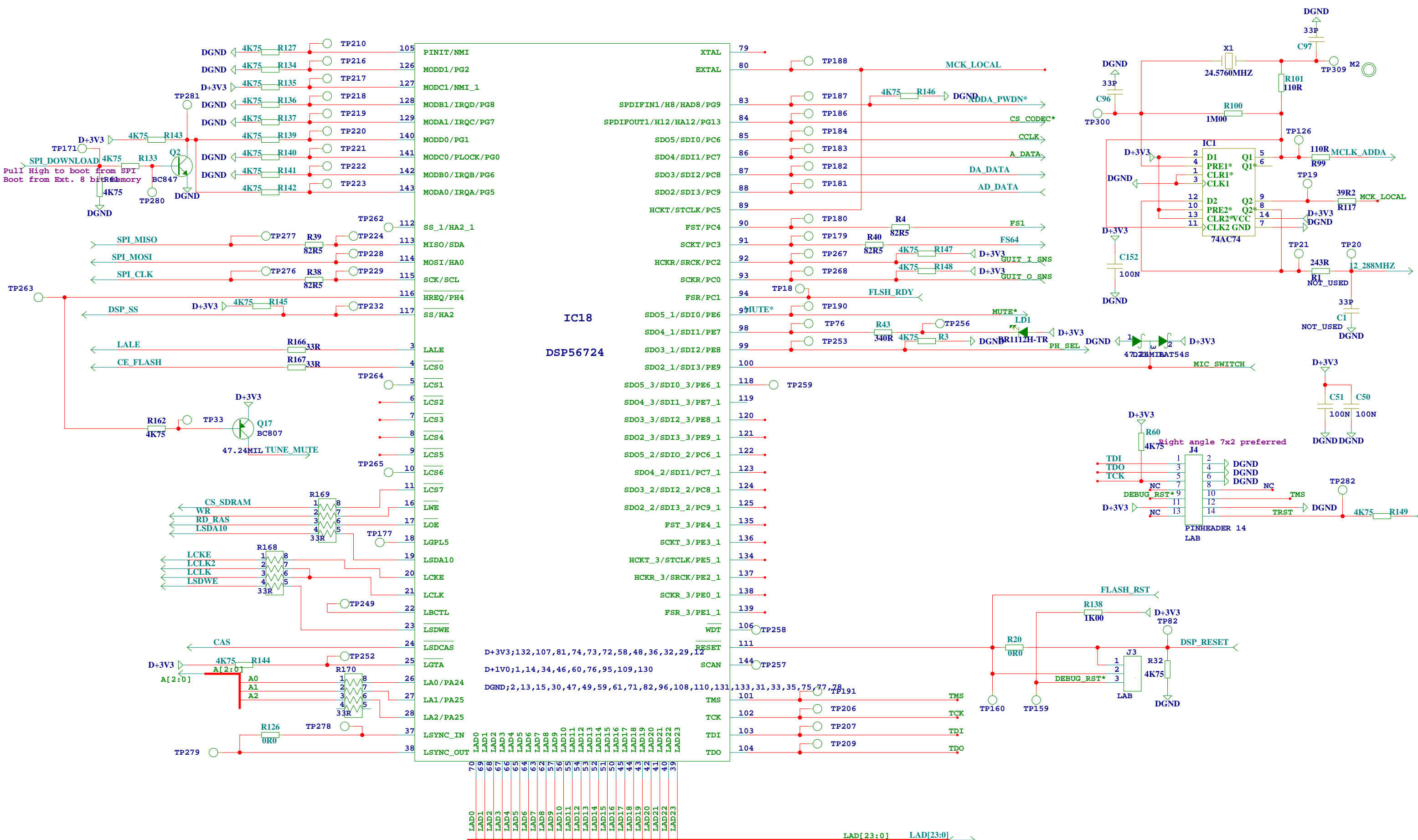
TC Electronic A/S		Designer DKH
Title CORRECT XT	Module title MAINBOARD	
Number P22614_B	Revision BDA	Previous page XX
Date 8-27-2010 10:35	Filename INTERFACE	Page / of XX / XX



Codec: 0 dBFS = 2.2 dBu x2, -1 dBFS = 1.2 dBu x2

Divider attenuation = 0.204; 13.8dB
Impedance seen by CODEC= 204 Ohms

TC Electronic A/S		Designer DKH
Title CORRECT XT		Module title MAINBOARD
Number P22614 B	Revision BDA	Previous page XX
Date 8-27-2010_10:35	Filename MIC_INPUT	Page / of 1 / 1



TC Electronic A/S		Designer DKH
Title CORRECT XT	Module title MAINBOARD	
Number P22614_B	Revision BDA	Previous page XX
Date 8-27-2010 10:35	Filename DSP720	Page / of XX / XX