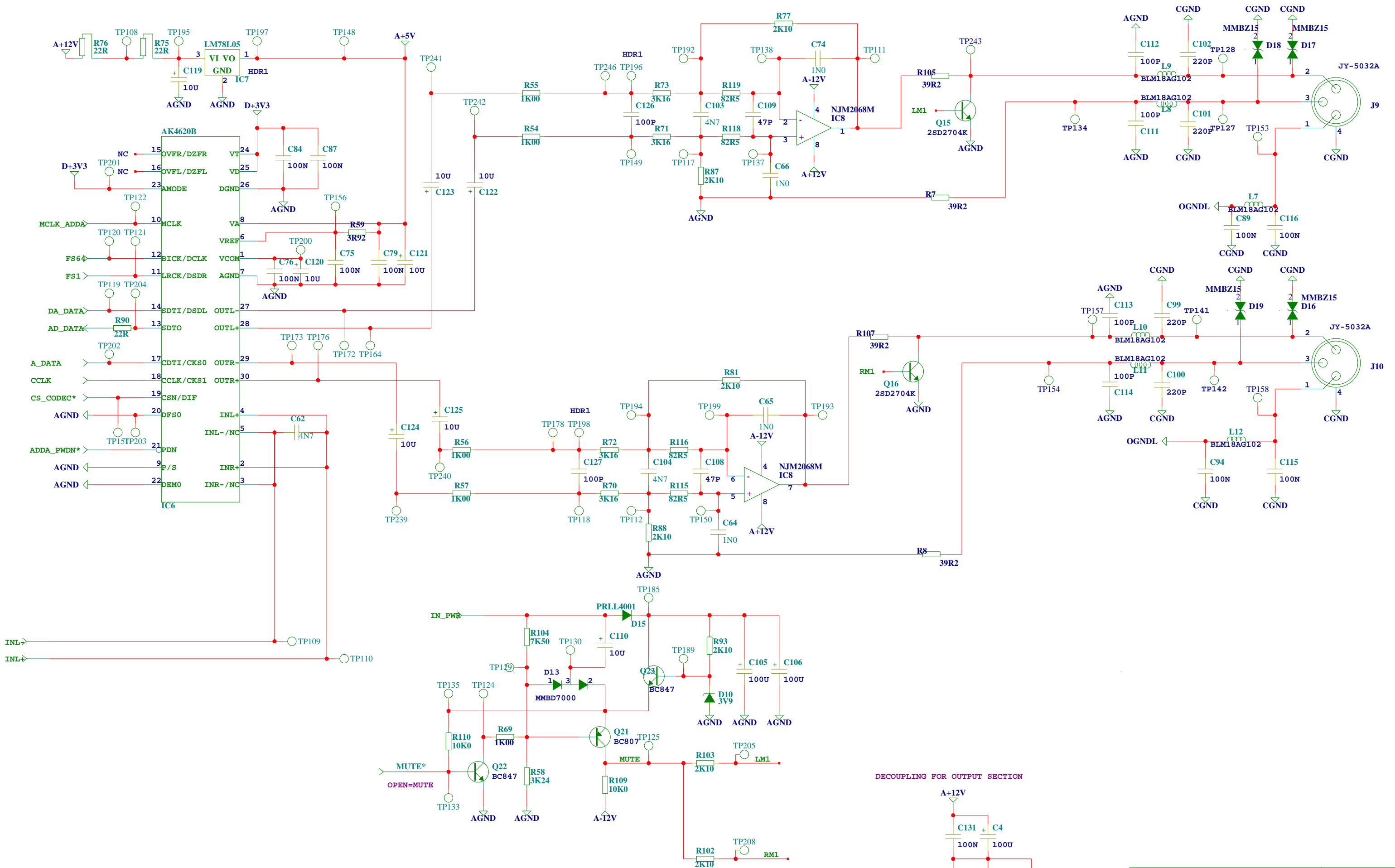


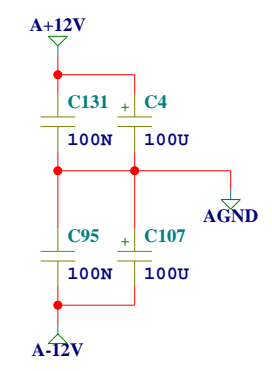
P22611-E  
M1

<b>TC Electronic A/S</b>		Designer <b>DKH</b>
Title <b>HANS_V1</b>		Module title <b>MAINBOARD</b>
Number <b>P22611_E</b>	Revision <b>EAA</b>	Previous page <b>XX</b>
Date <b>12-3-2007 13:11</b>	Filename <b>P22611-EA</b>	Page / of <b>XX / XX</b>



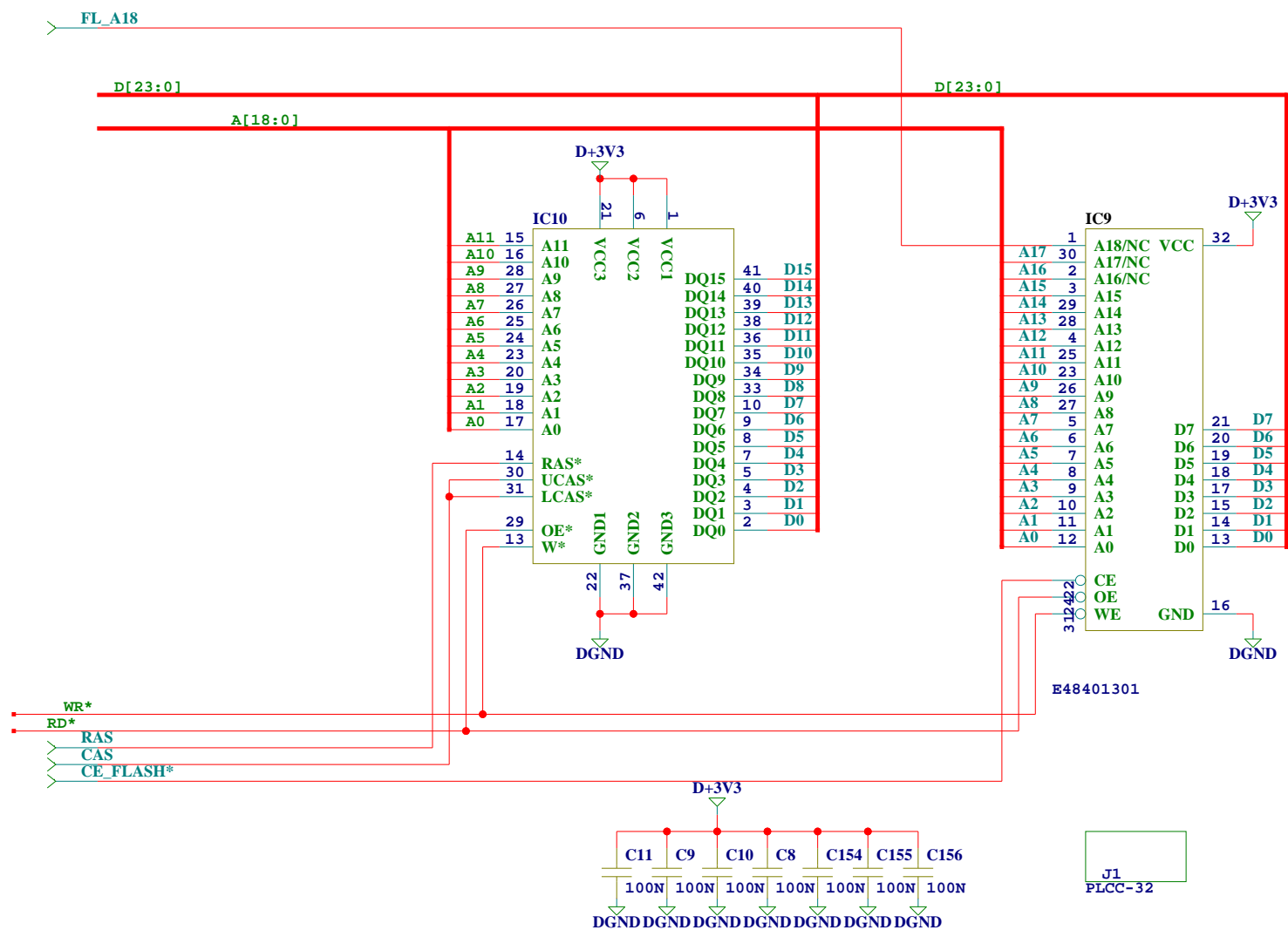
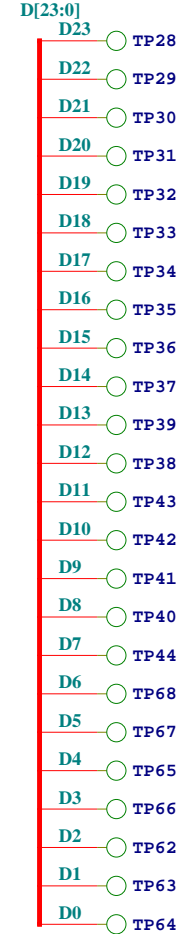
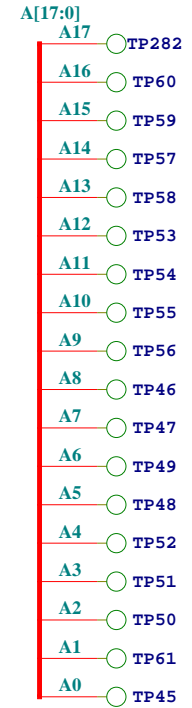
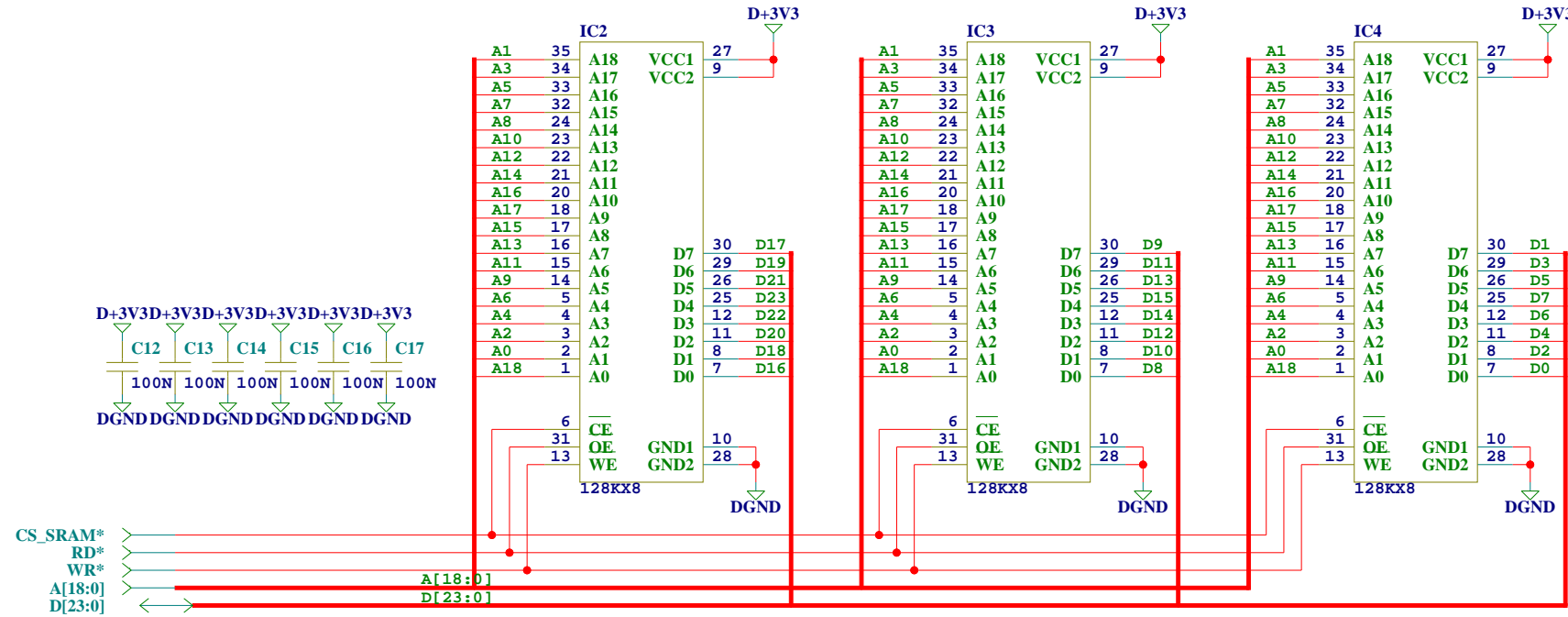
Mute Control Circuit- 11 cents  
 MUTE CIRCUIT

DECOUPLING FOR OUTPUT SECTION

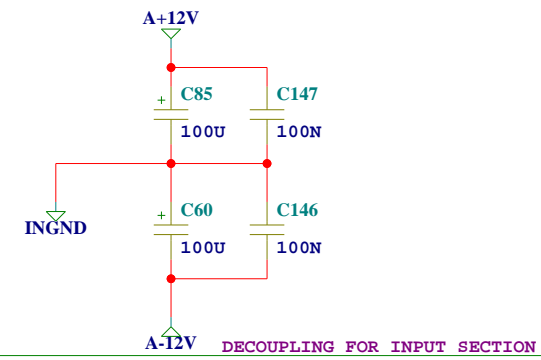
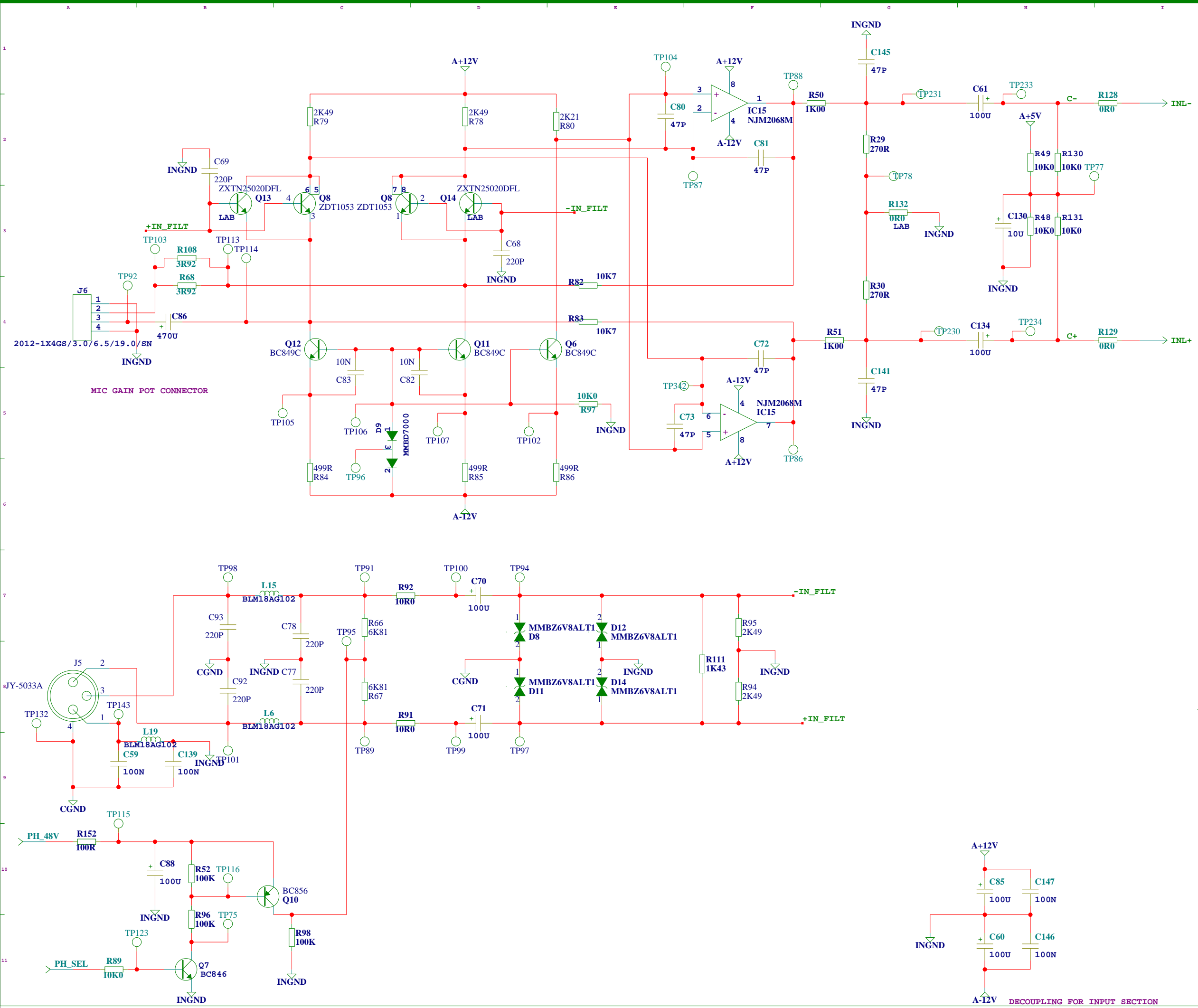


TC Electronic A/S		Designer	DKH
Title	HANS_V1	Module title	MAINBOARD
Number	P22611_E	Revision	EAA
Date	12-3-2007 13:06	Previous page	XX
		Page / of	XX / XX
		Filename	ANALOG_OUT_V

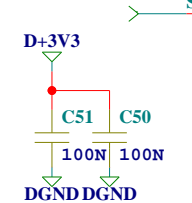
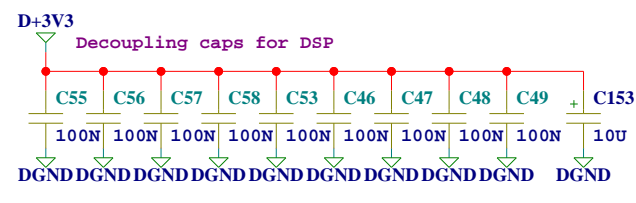
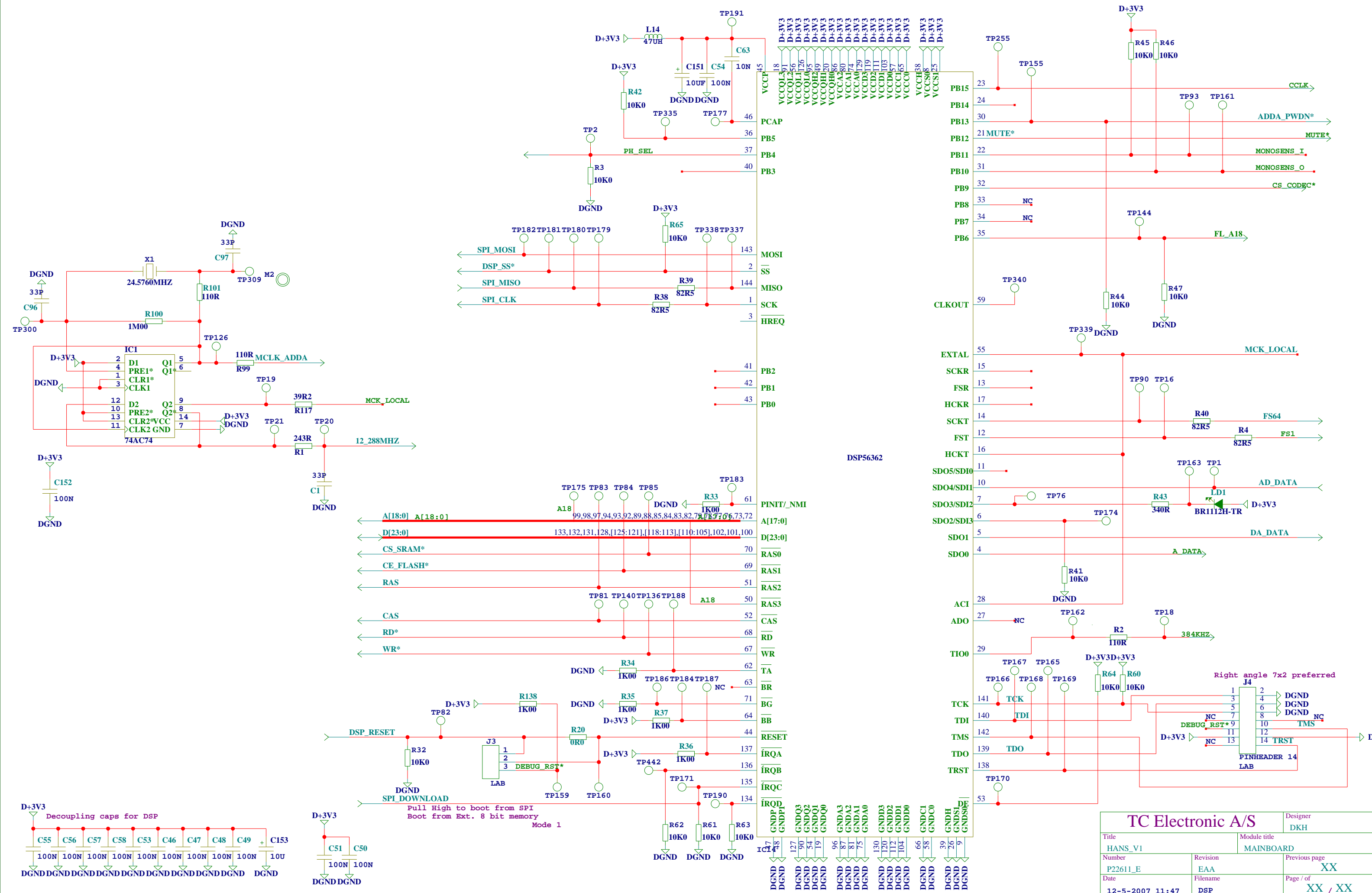
SOJ36/400 mil - 128k/512k



TC Electronic A/S		Designer DKH
Title HANS_V1	Module title MAINBOARD	
Number P22611_E	Revision EAA	Previous page XX
Date 12-3-2007 13:06	Filename MEMORY	Page / of XX / XX

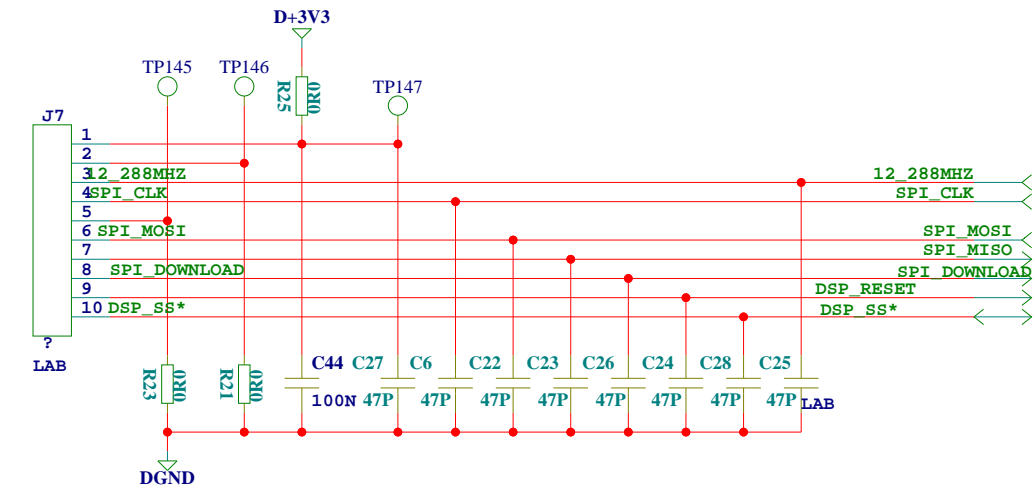


<b>TC Electronic A/S</b>		Designer DKH
Title HANS_V1		Module title MAINBOARD
Number P22611_E	Revision EAA	Previous page XX
Date 12-3-2007_13:06	Filename MIC_INPUT	Page / of 1 / 1

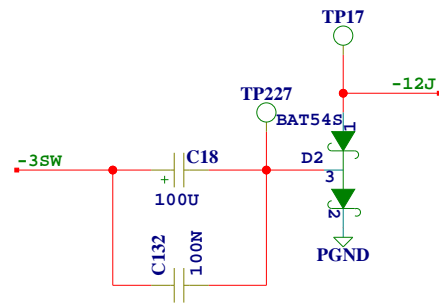
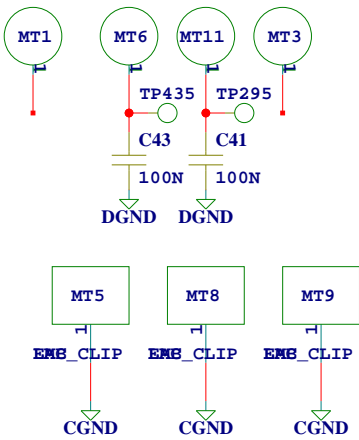


DSP\_RESET  
 Pull High to boot from SPI  
 Boot from Ext. 8 bit memory  
 Mode 1

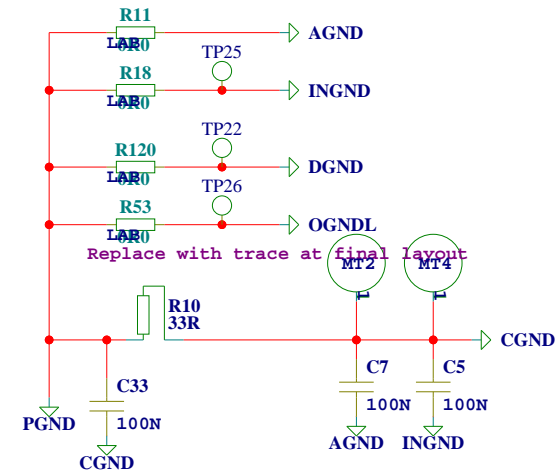
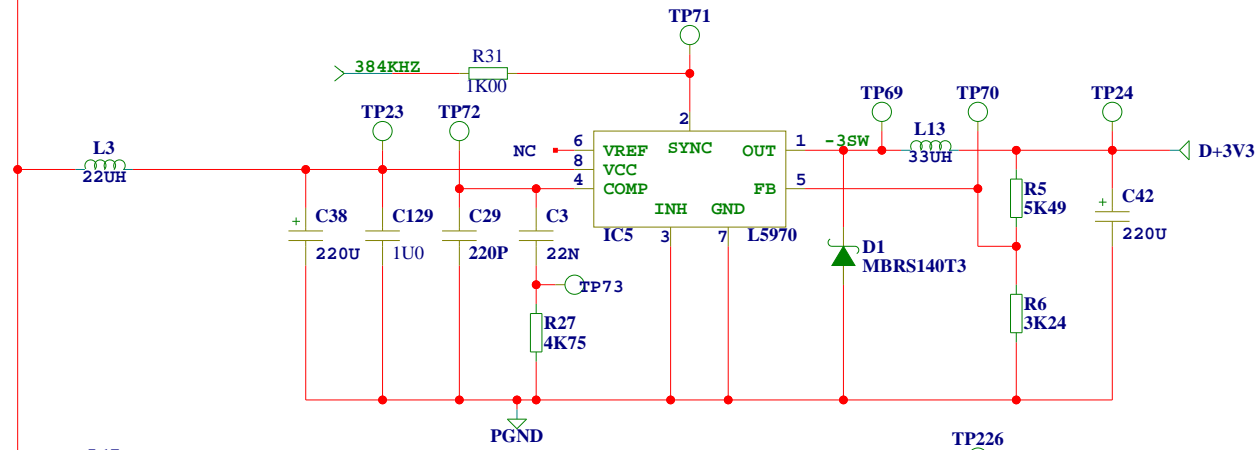
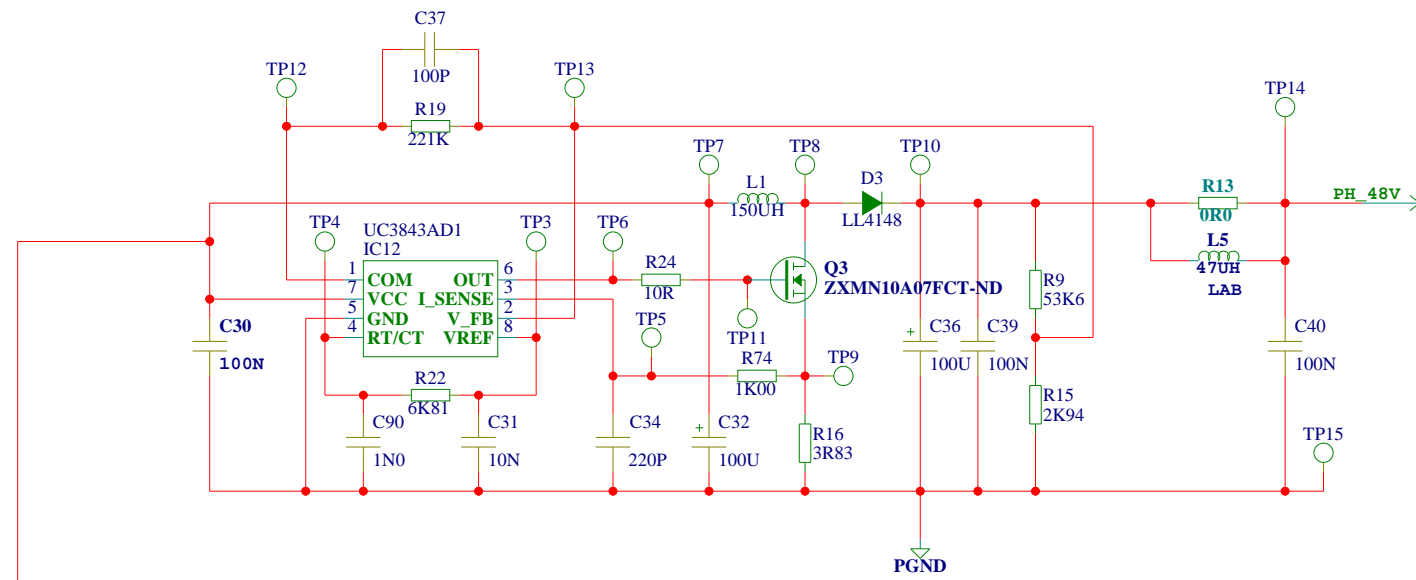
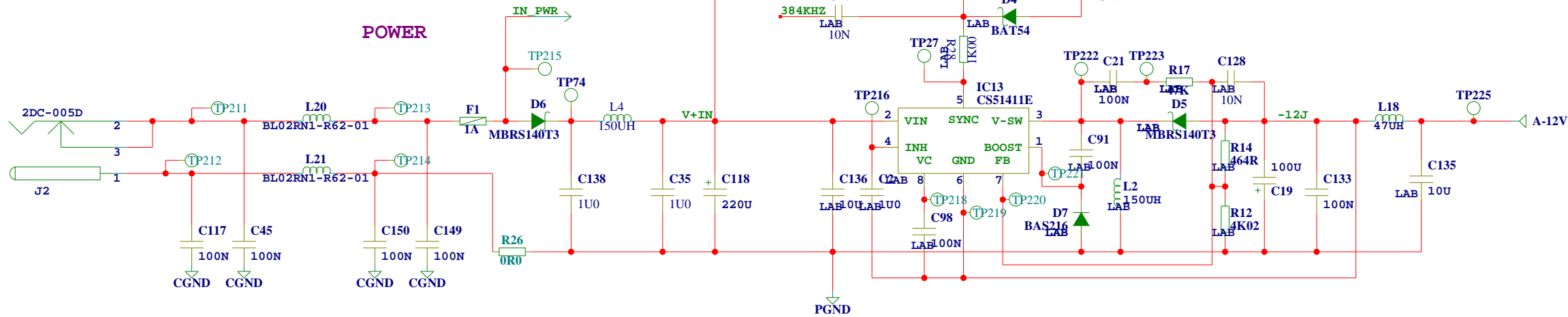
<b>TC Electronic A/S</b>		Designer DKH
Title HANS_V1	Module title MAINBOARD	
Number P22611_E	Revision EAA	Previous page XX
Date 12-5-2007 11:47	Filename DSP	Page / of XX / XX



UI Connector



POWER



TC Electronic A/S		Designer DKH
Title HANS_V1	Module title MAINBOARD	
Number P22611_E	Revision EAA	Previous page XX
Date 12-3-2007 13:06	Filename INTERFACE	Page / of XX / XX