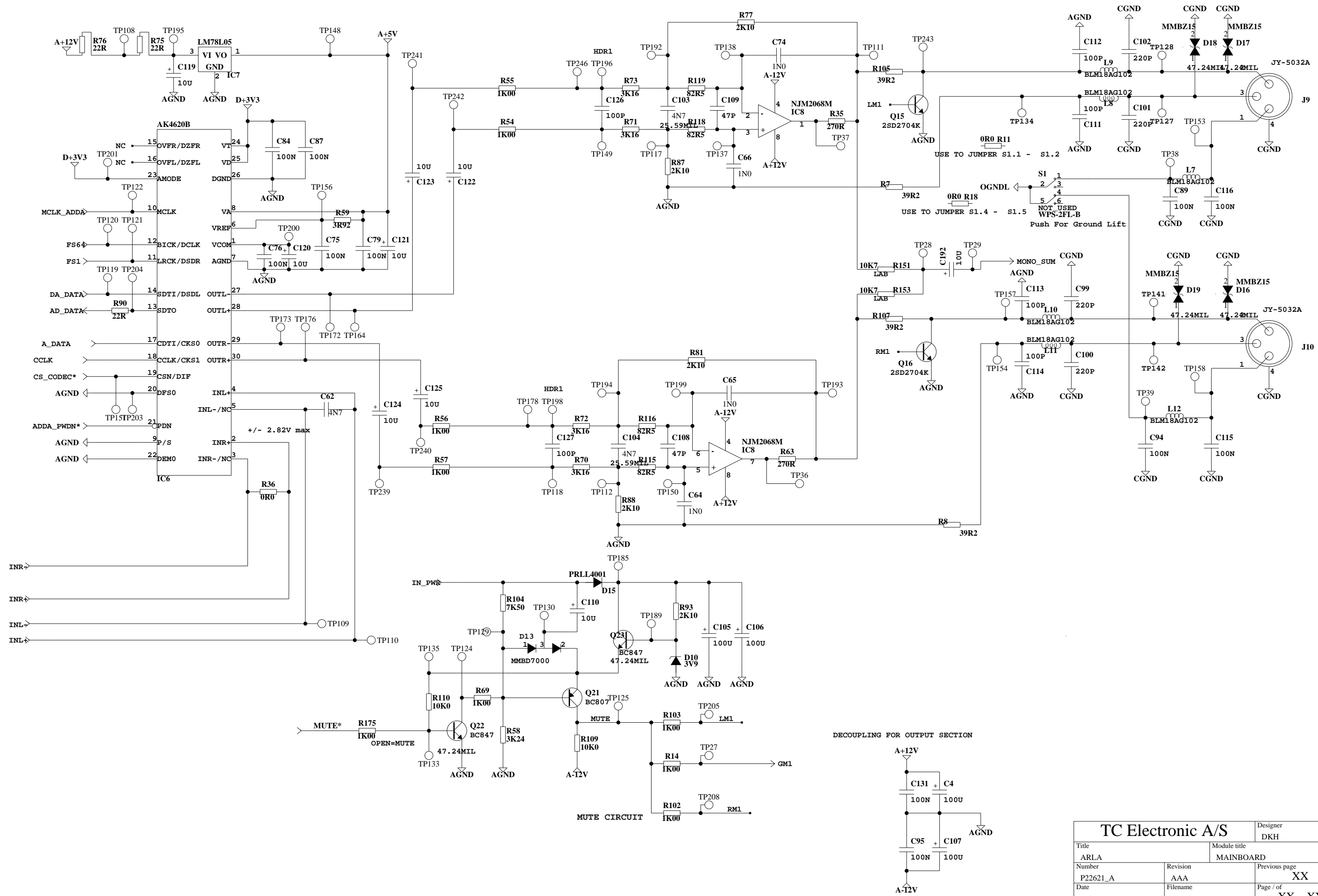
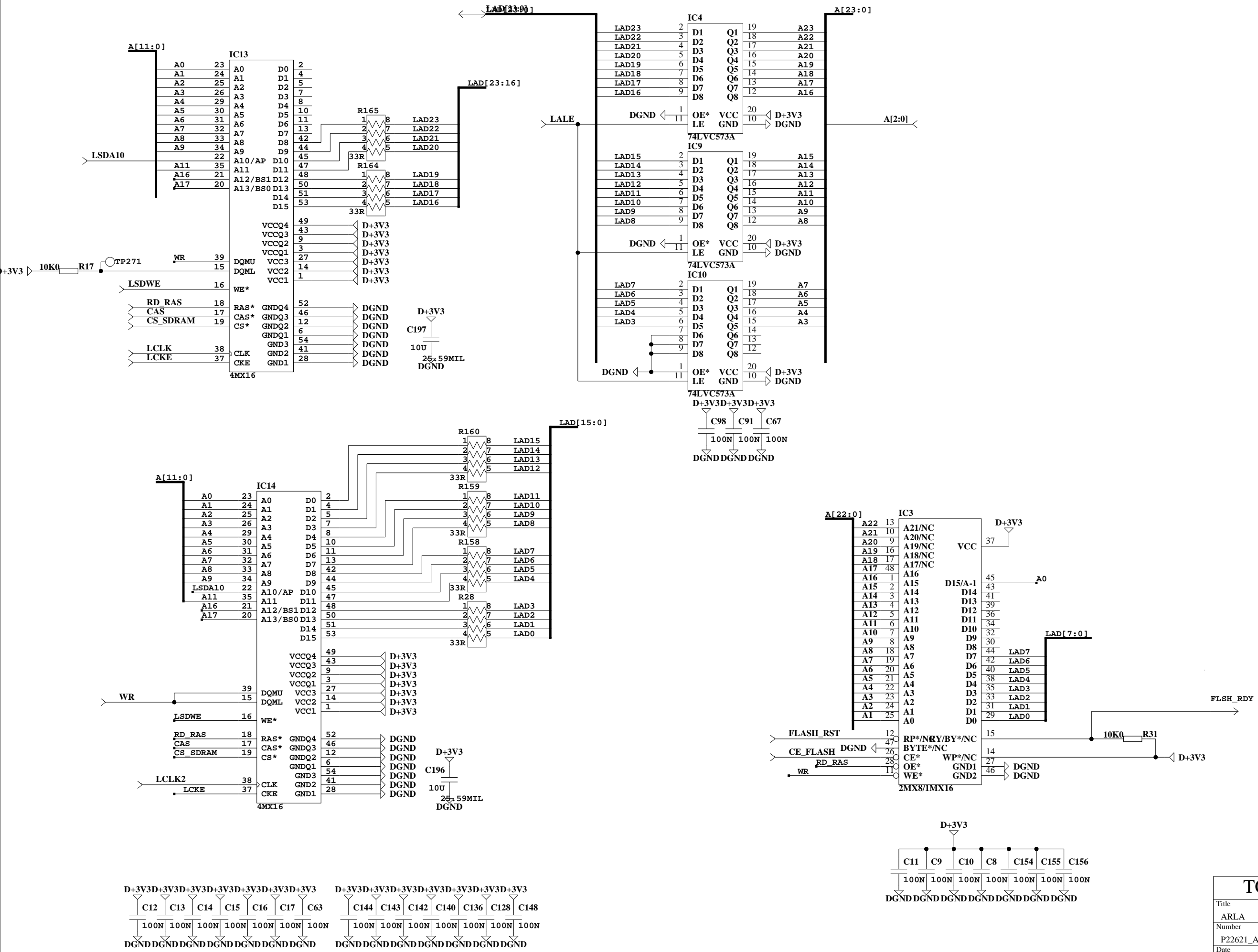


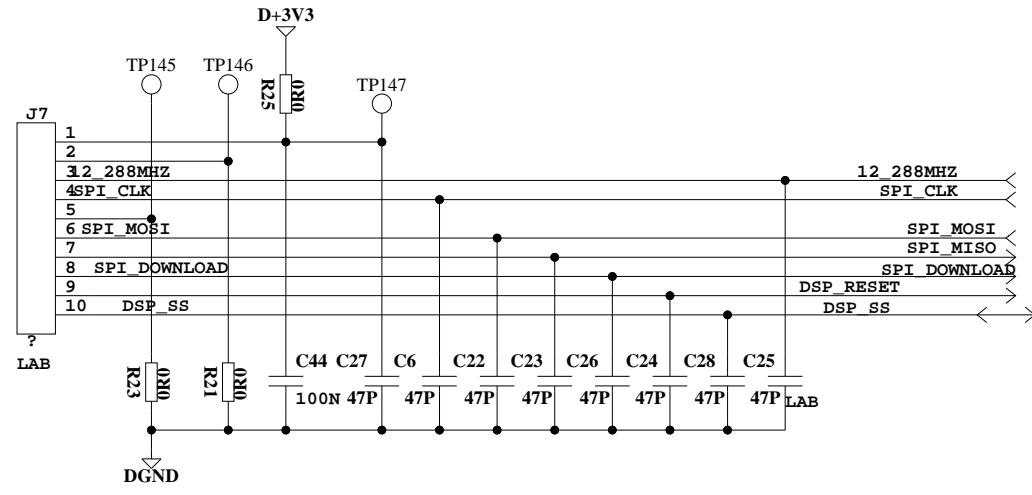
Title		Module title		Designer	
ARLA		MAINBOARD		DKH	
Number		Revision		Previous page	
P22621_A		AAA		XX	
Date		Filename		Page / of	
11-9-2009 11:59		P22621_A		XX / XX	

P22621-A
M1

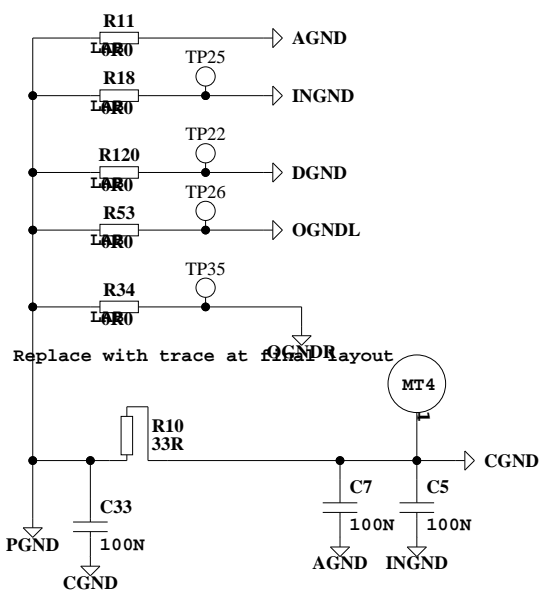
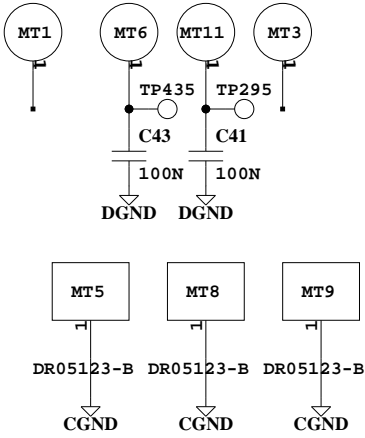


TC Electronic A/S		Designer DKH	
Title ARLA	Module title MAINBOARD		
Number P22621_A	Revision AAA	Previous page XX	
Date 11-12-2009 10:00	Filename ANALOG_OUT_V	Page / of XX / XX	

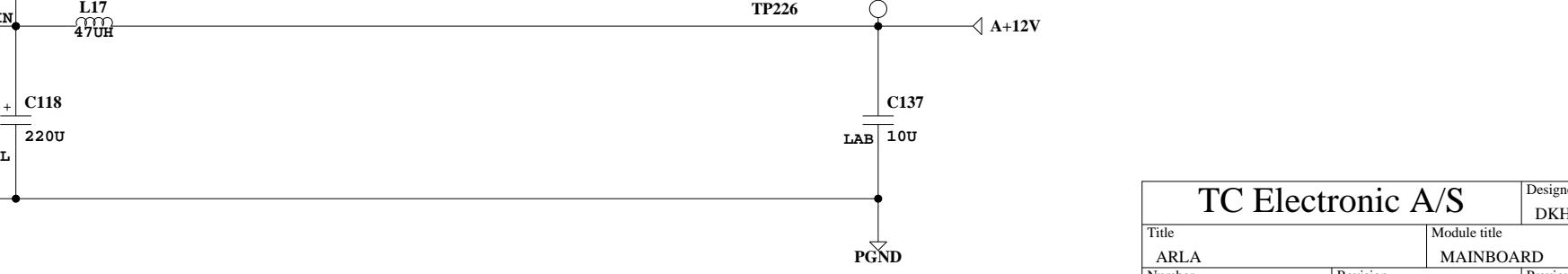
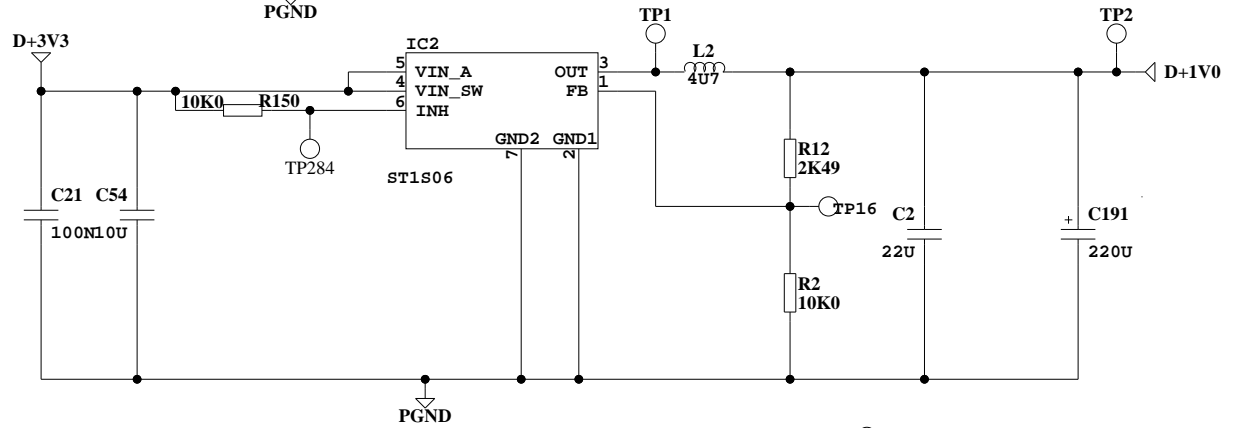
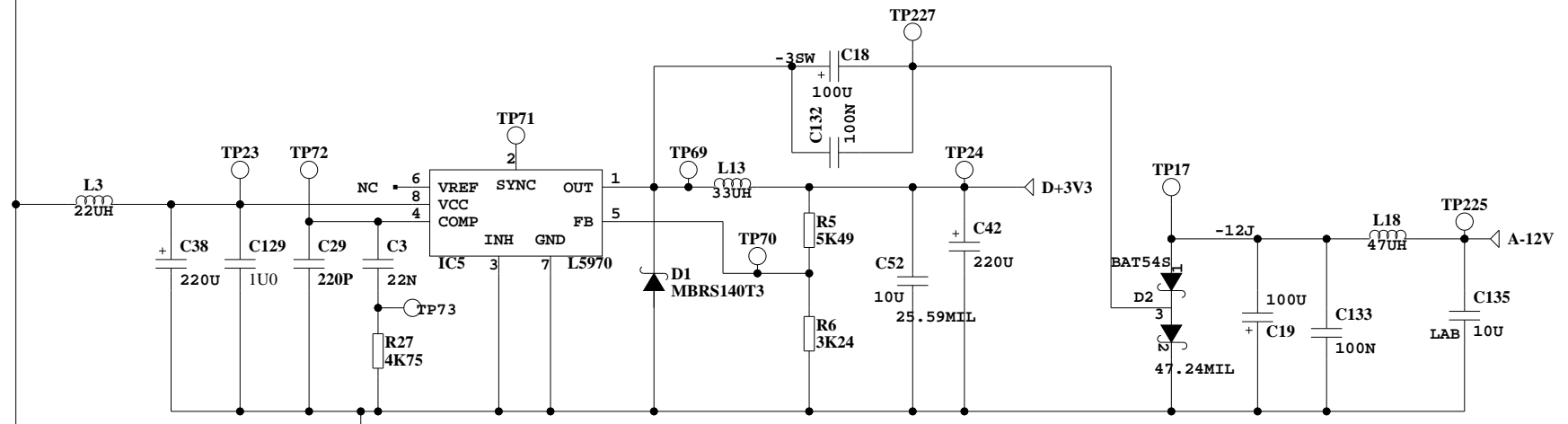
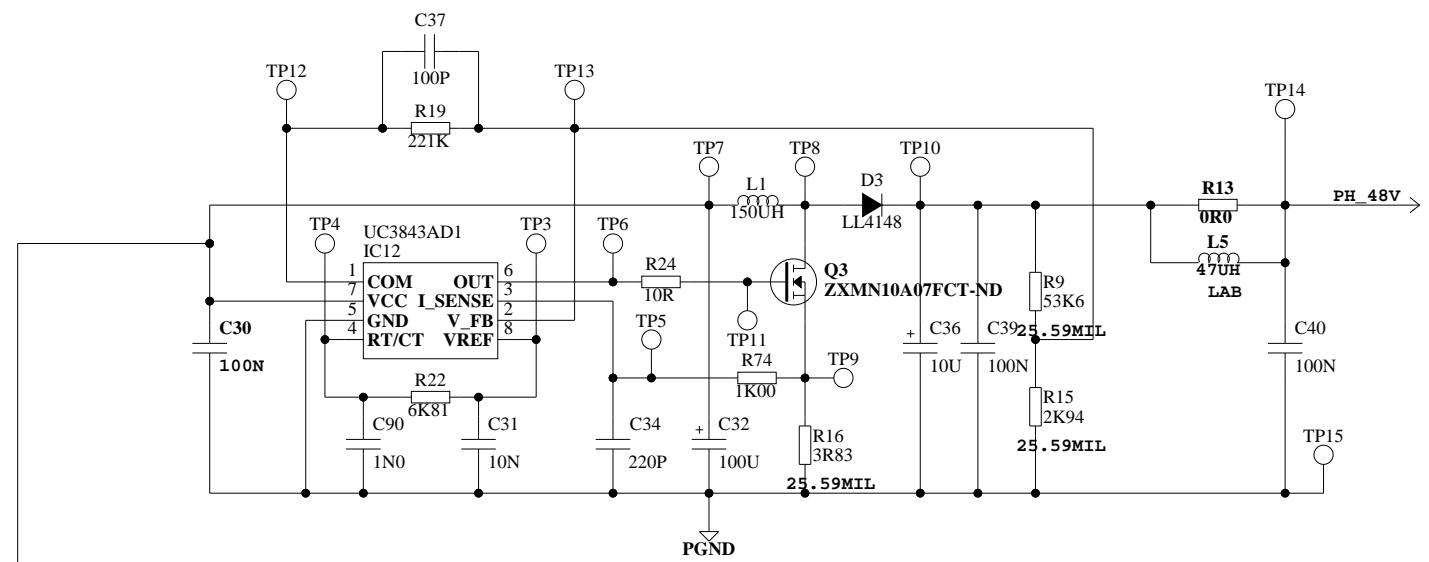
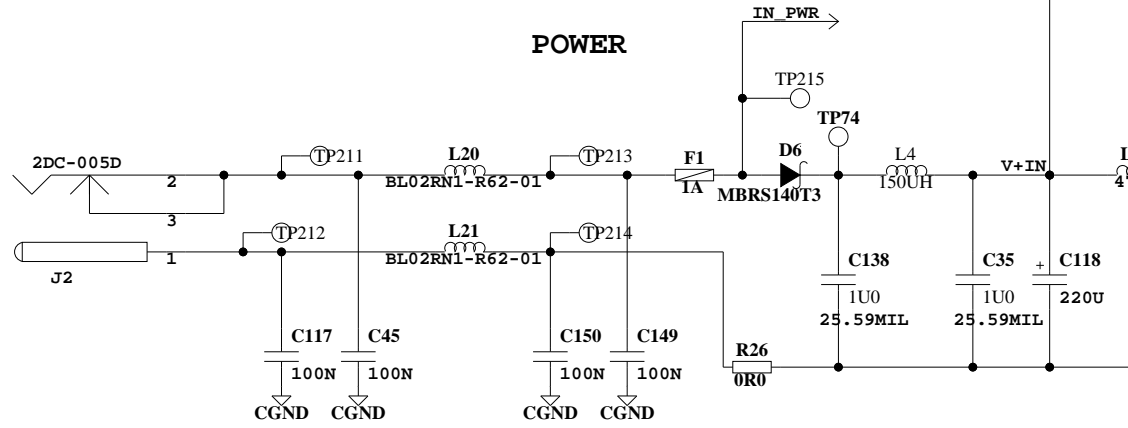




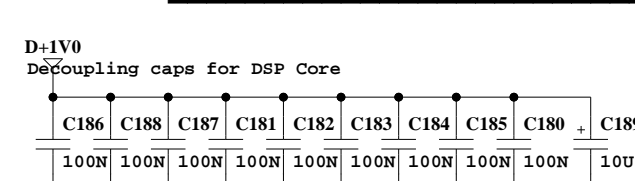
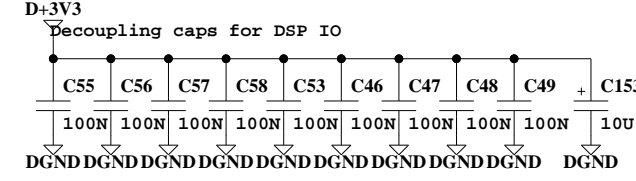
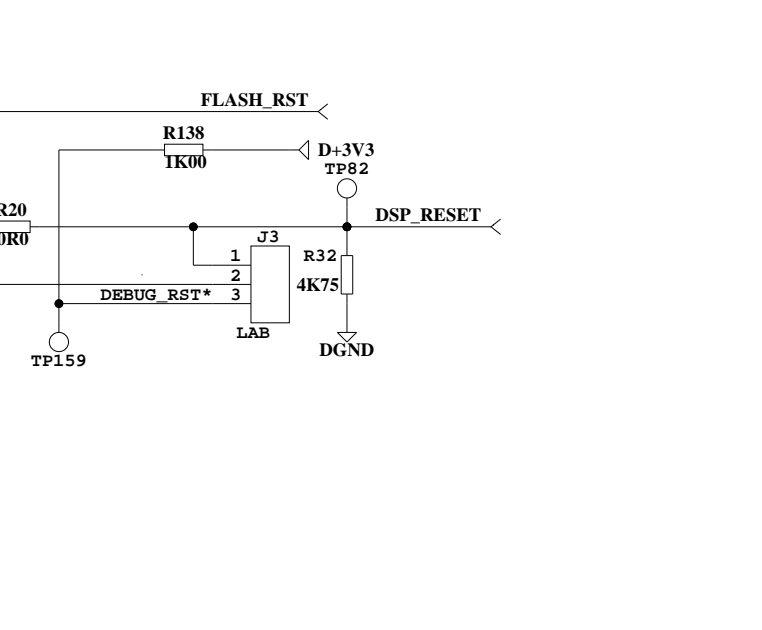
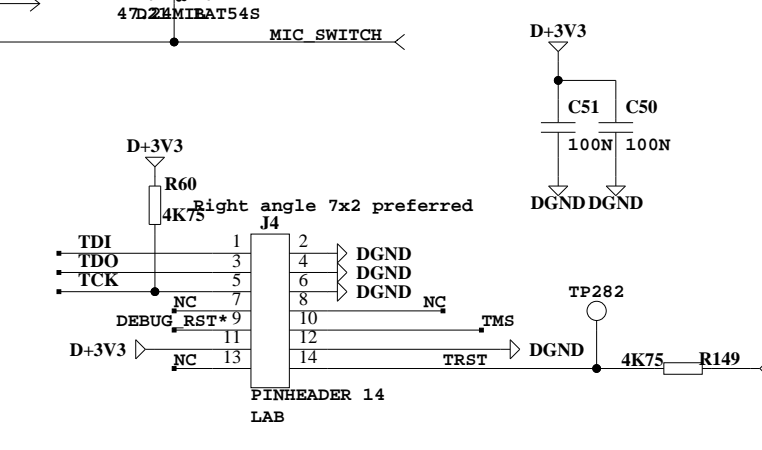
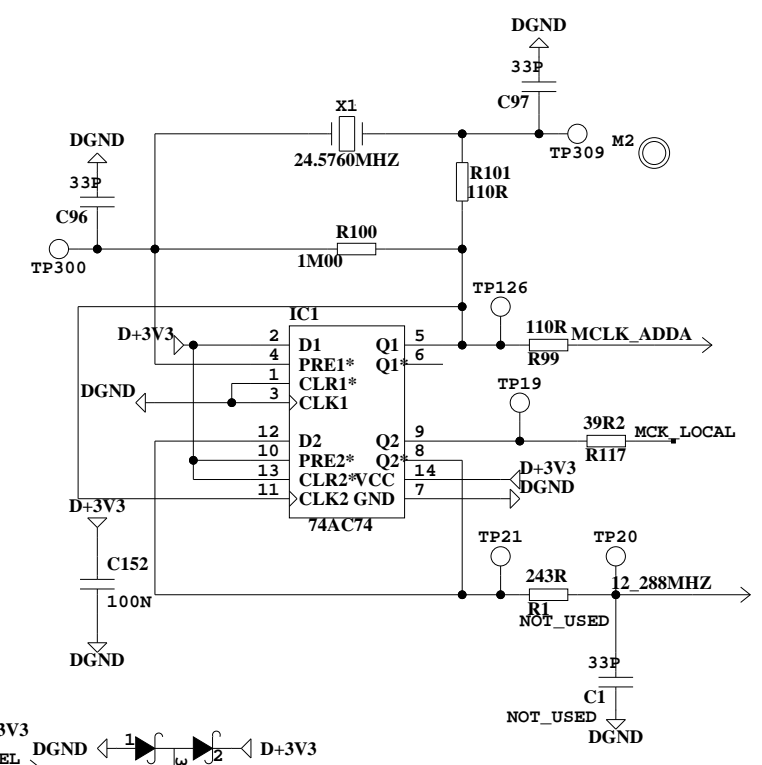
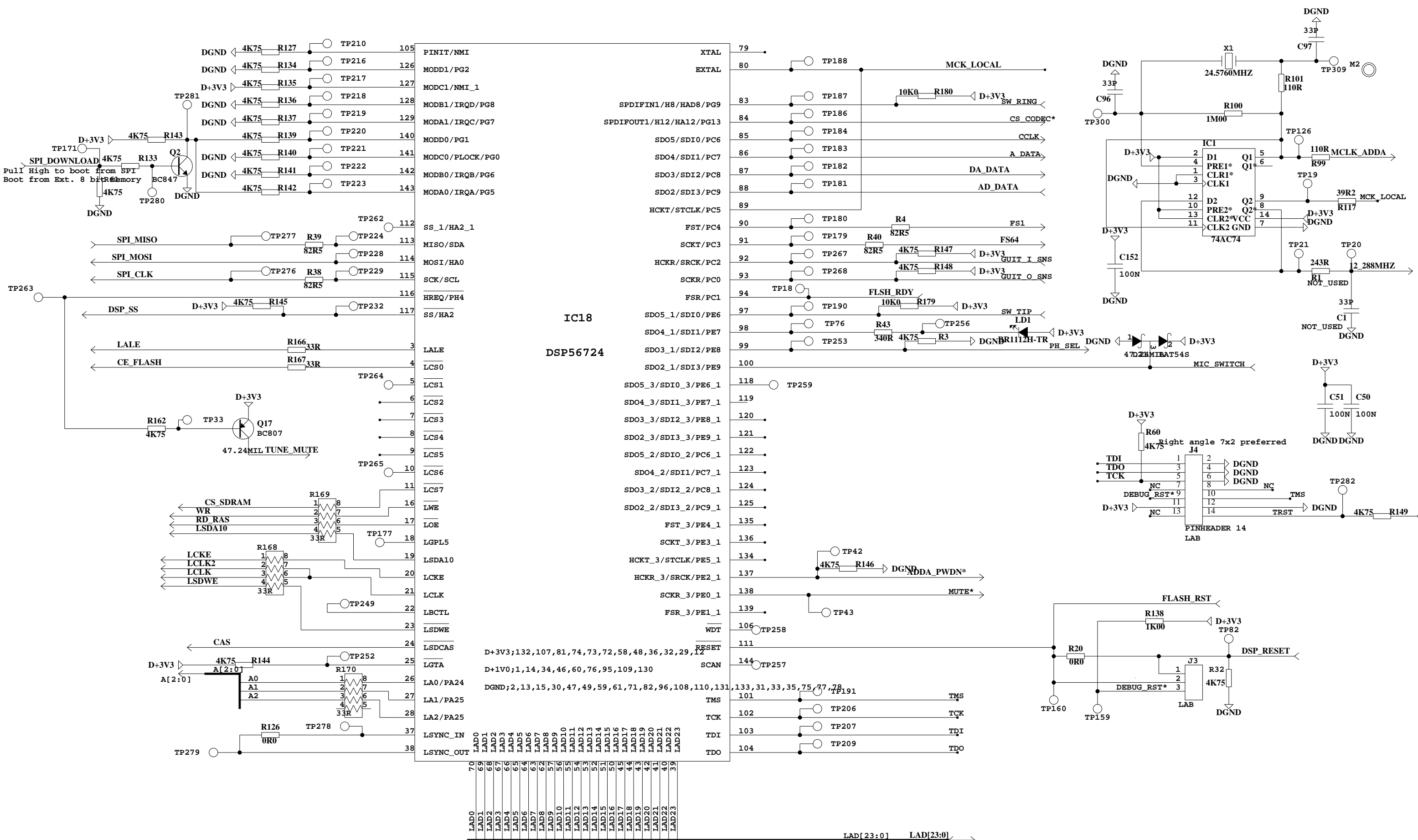
UI Connector



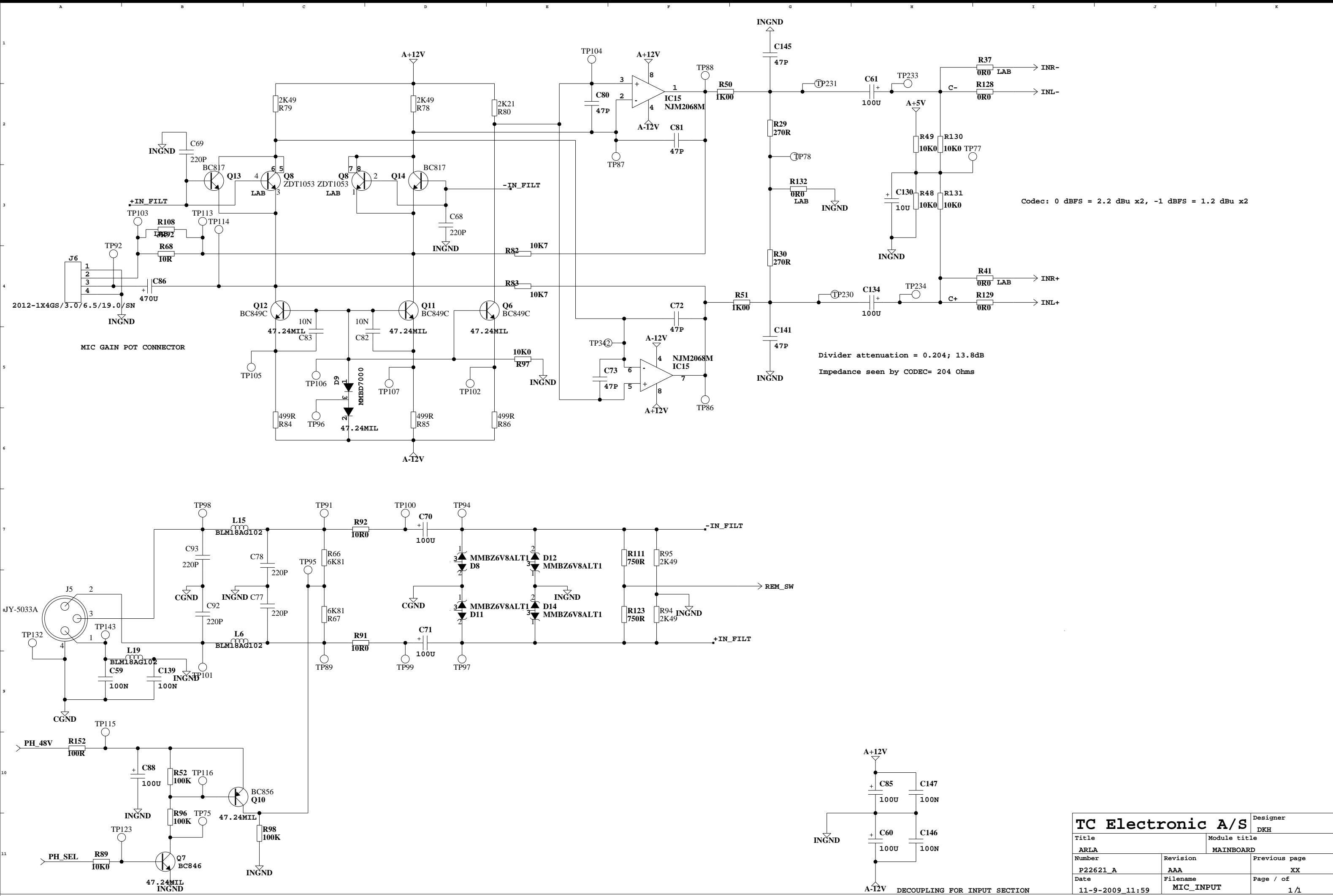
POWER



TC Electronic A/S		Designer DKH
Title ARLA	Module title MAINBOARD	
Number P22621_A	Revision AAA	Previous page XX
Date 11-9-2009 11:59	Filename INTERFACE	Page / of XX / XX



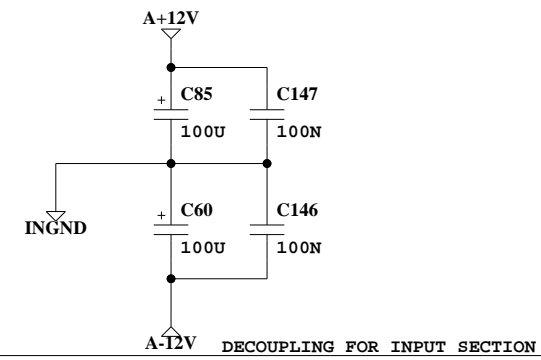
TC Electronic A/S		Designer
ARLA		DKH
Module title		MAINBOARD
Title	Revision	Previous page
P22621_A	AAA	XX
Number	Filename	Page / of
11-9-2009 11:59	DSP720	XX / XX

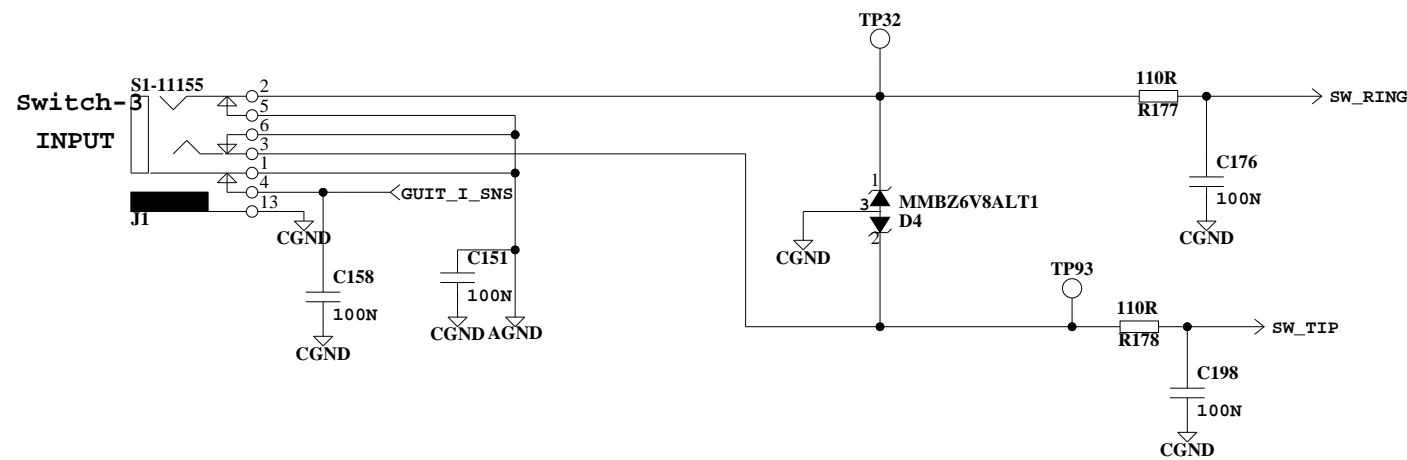


Codec: 0 dBFS = 2.2 dBu x2, -1 dBFS = 1.2 dBu x2

Divider attenuation = 0.204; 13.8dB
Impedance seen by CODEC= 204 Ohms

TC Electronic A/S		Designer DKH
Title ARLA		Module title MAINBOARD
Number P22621_A	Revision AAA	Previous page XX
Date 11-9-2009 11:59	Filename MIC_INPUT	Page / of 1/1

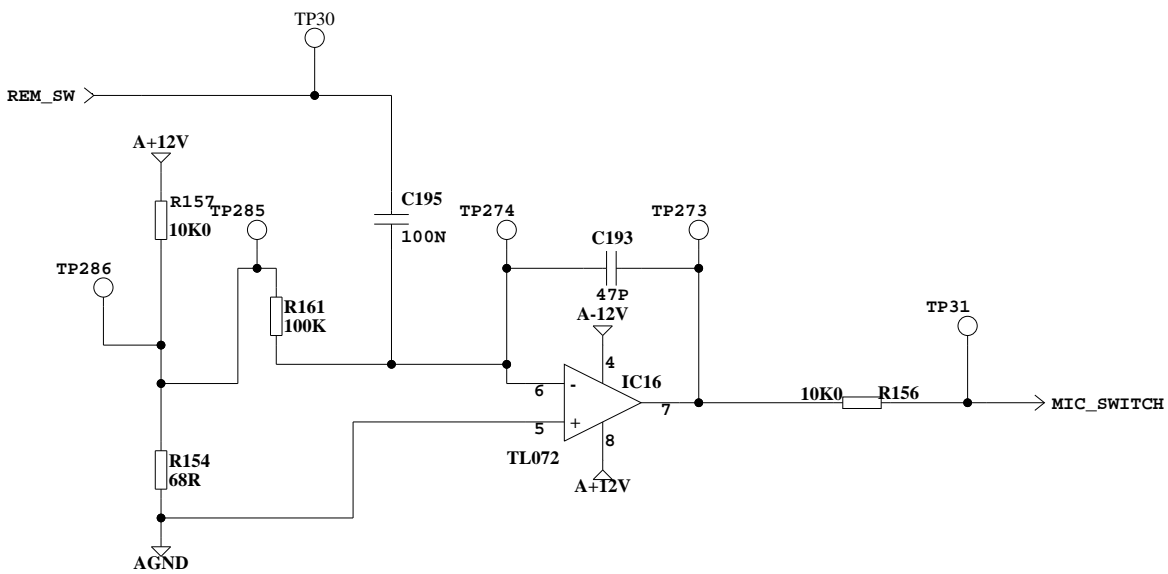
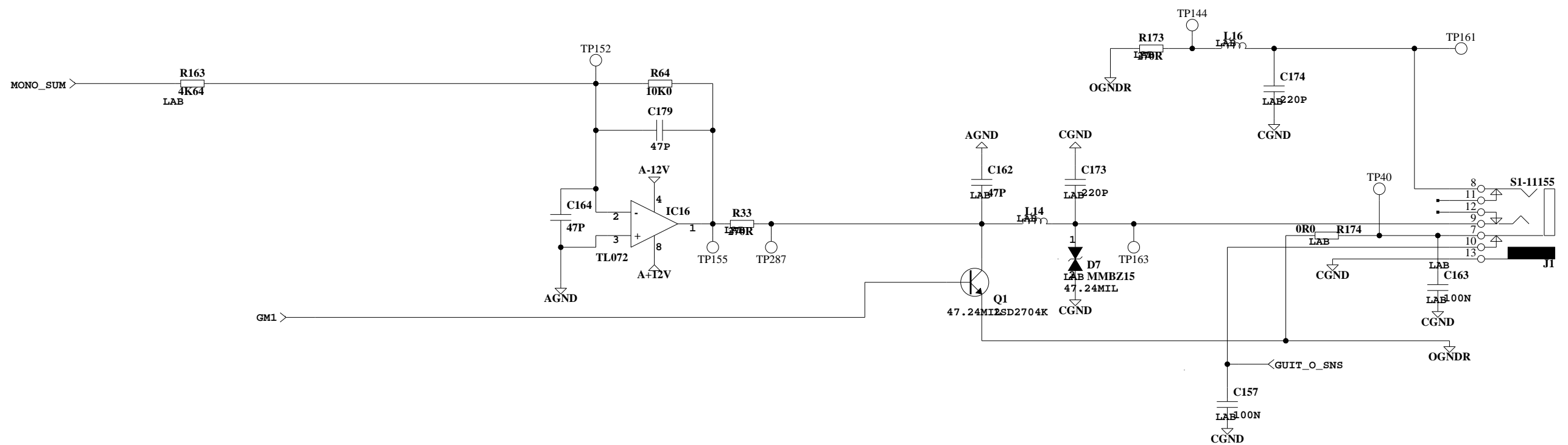




-1 dBFS input level 14.8 dBu, 12Vp-p

Divider attenuation = 0.204; 13.8dB

Impedance seen by CODEC= 204 Ohms



TC Electronic A/S		Designer DKH
Title ARLA		Module title MAINBOARD
Number P22621_A	Revision AAA	Previous page XX
Date 11-9-2009 11:59	Filename GUITAR_INPUT	Page / of 1 / 1