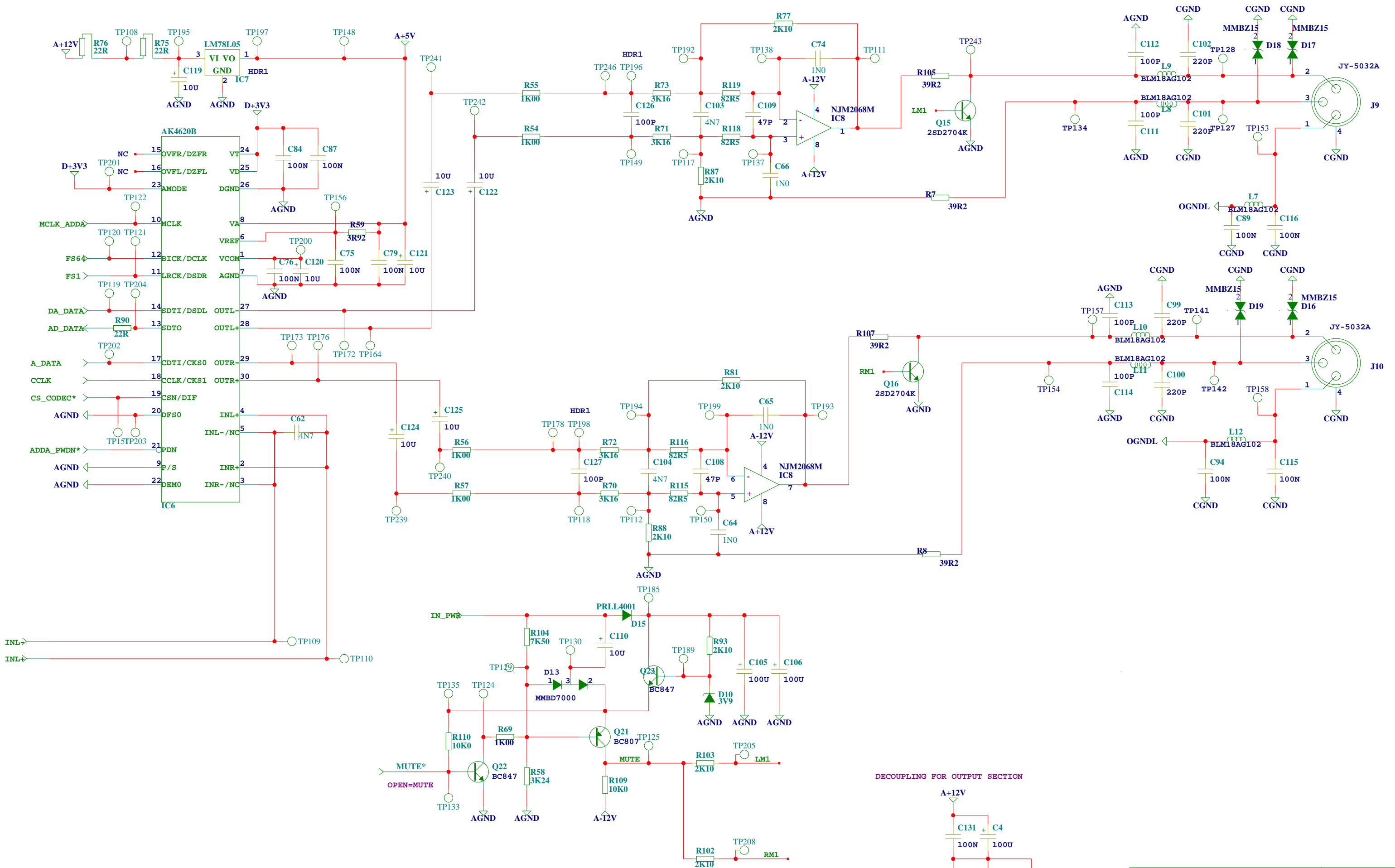
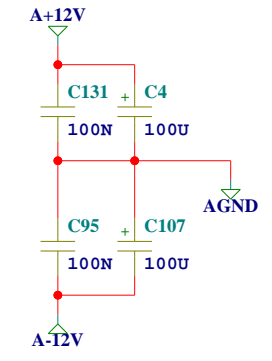


<b>TC Electronic A/S</b>		Designer <b>DKH</b>
Title <b>HANS_V1</b>		Module title <b>MAINBOARD</b>
Number <b>P22611_EB</b>	Revision <b>EBA</b>	Previous page <b>XX</b>
Date <b>12-3-2007 13:30</b>	Filename <b>P22611-EB</b>	Page / of <b>XX / XX</b>



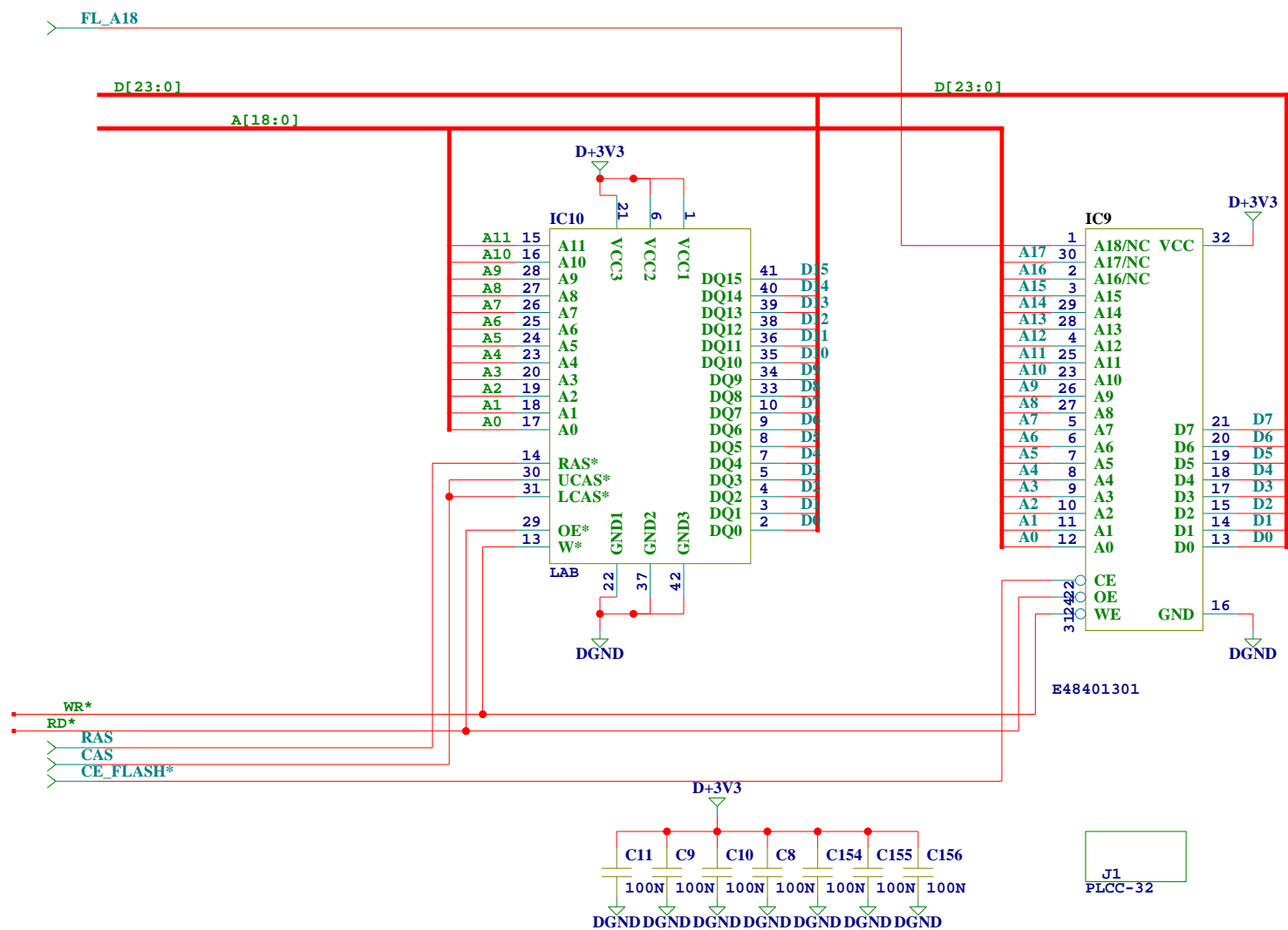
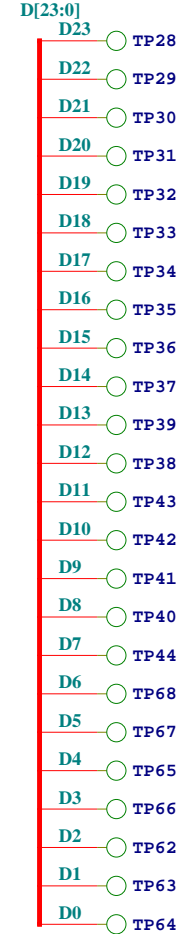
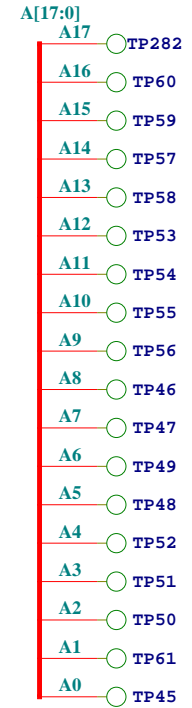
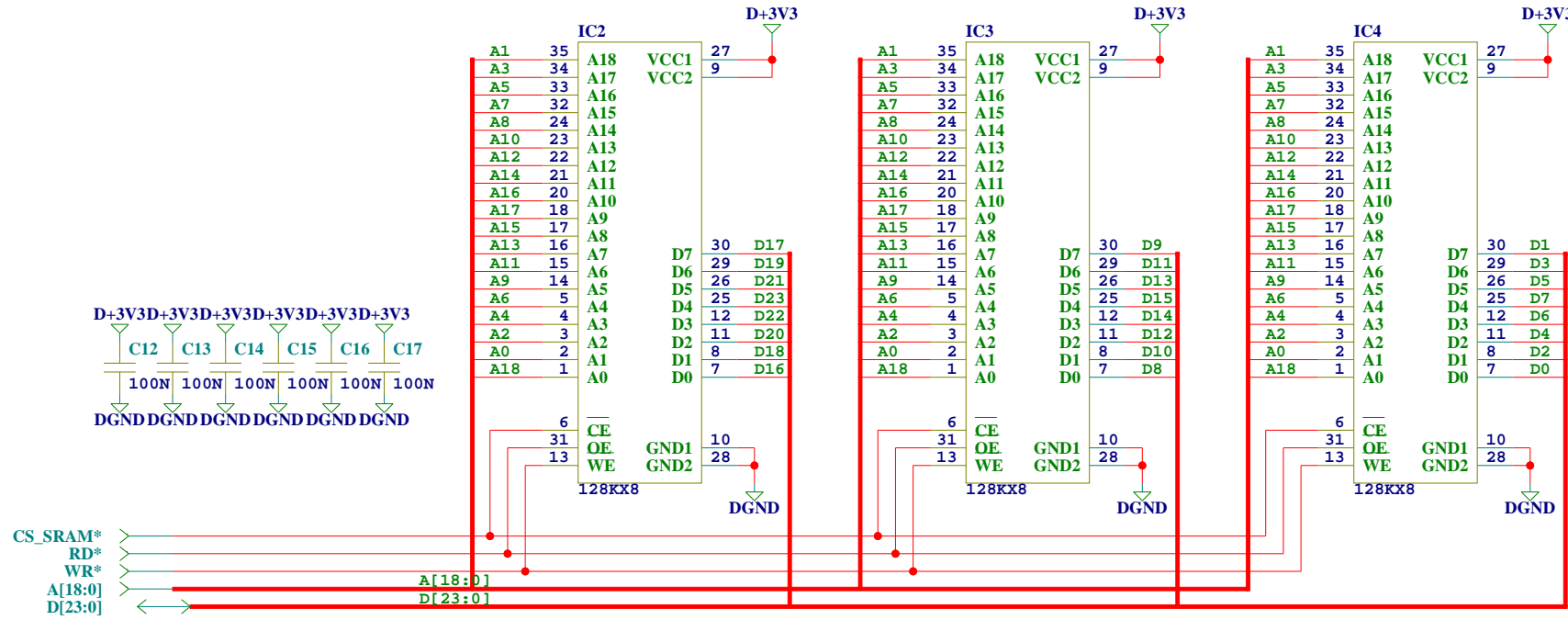
Mute Control Circuit- 11 cents  
 MUTE CIRCUIT

DECOUPLING FOR OUTPUT SECTION

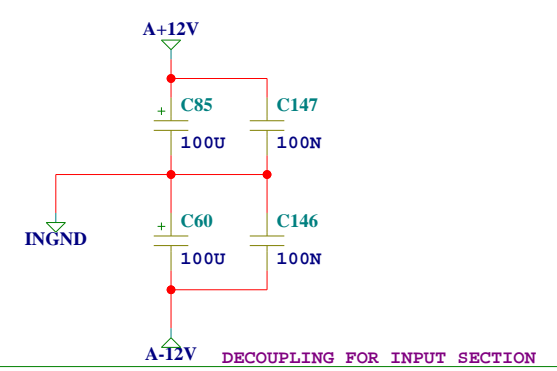
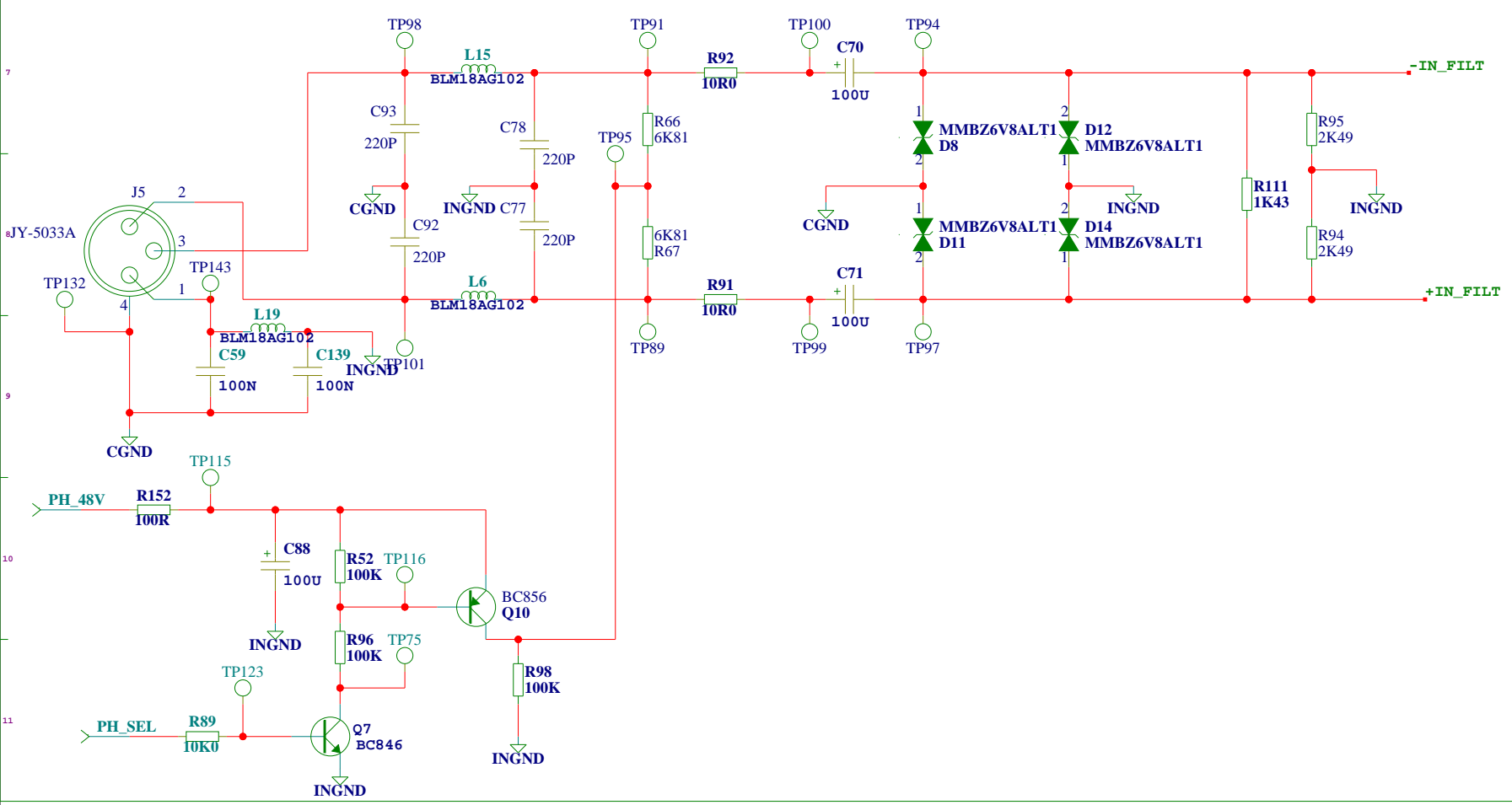
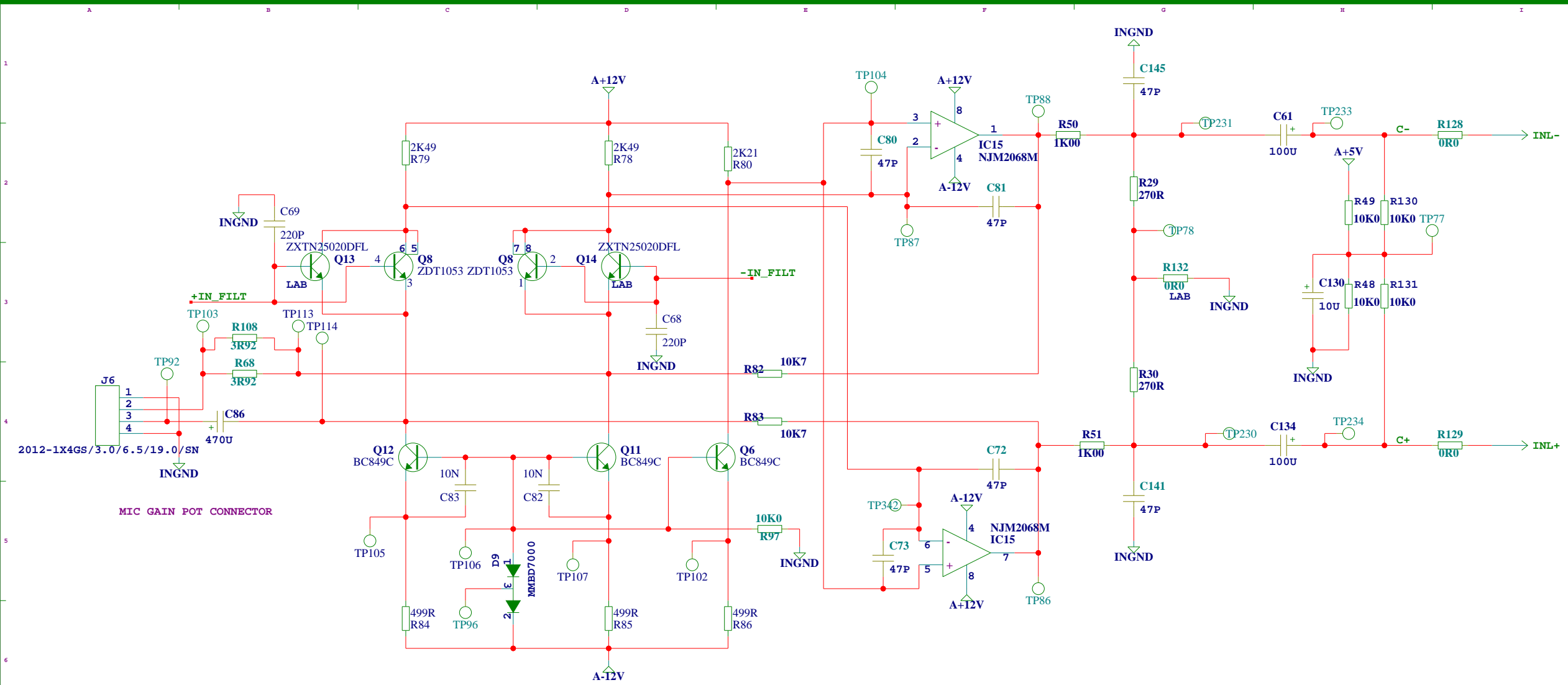


TC Electronic A/S		Designer DKH
Title HANS_V1	Module title MAINBOARD	
Number P22611_EB	Revision EBA	Previous page XX
Date 12-3-2007 13:30	Filename ANALOG_OUT_V	Page / of XX / XX

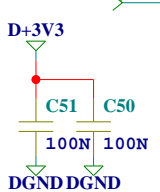
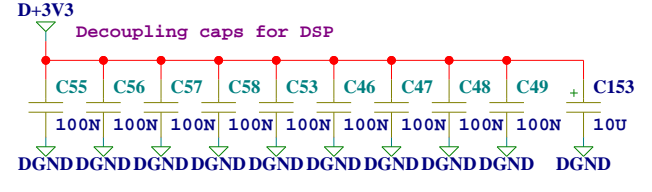
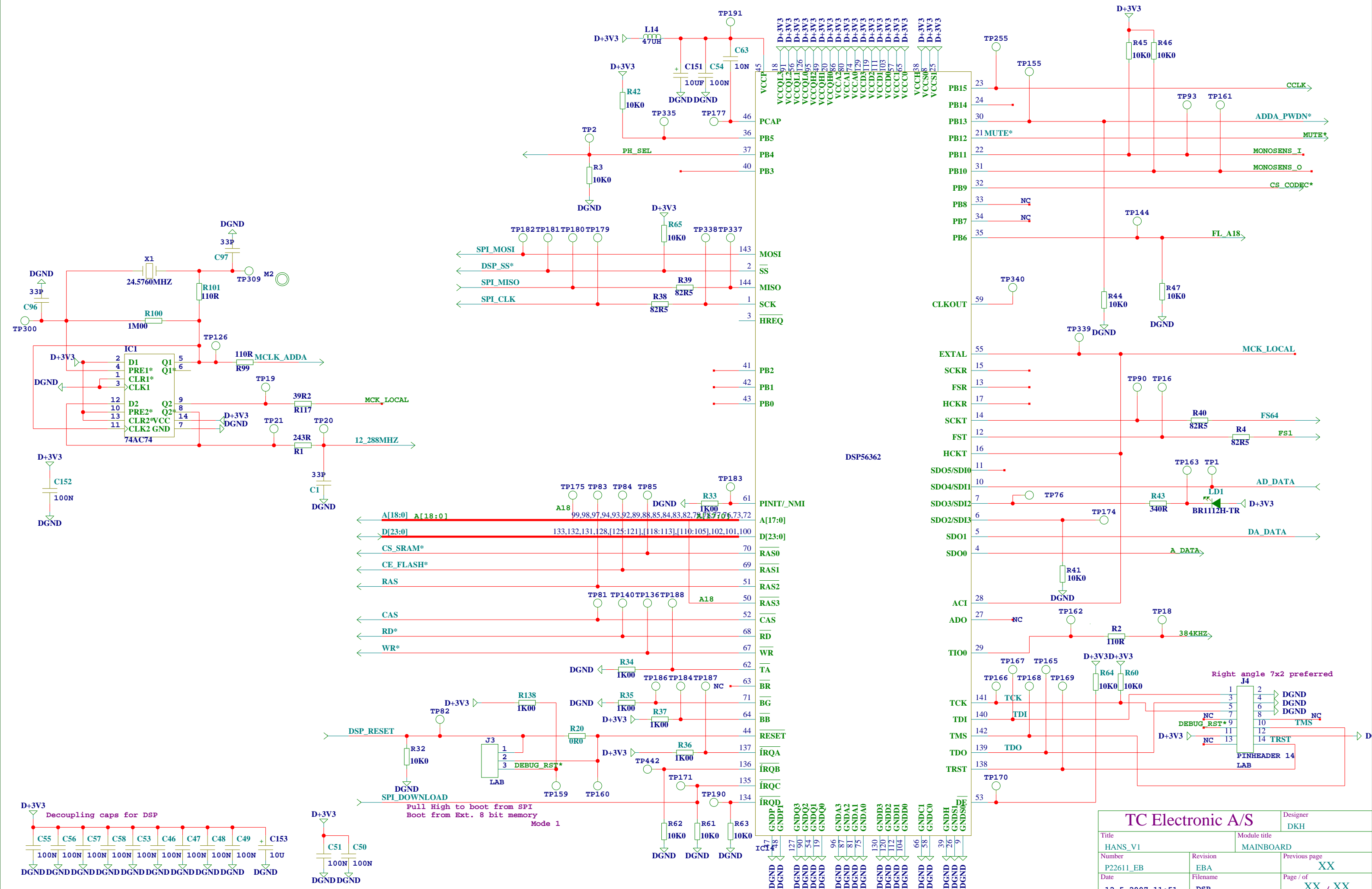
SOJ36/400 mil - 128k/512k



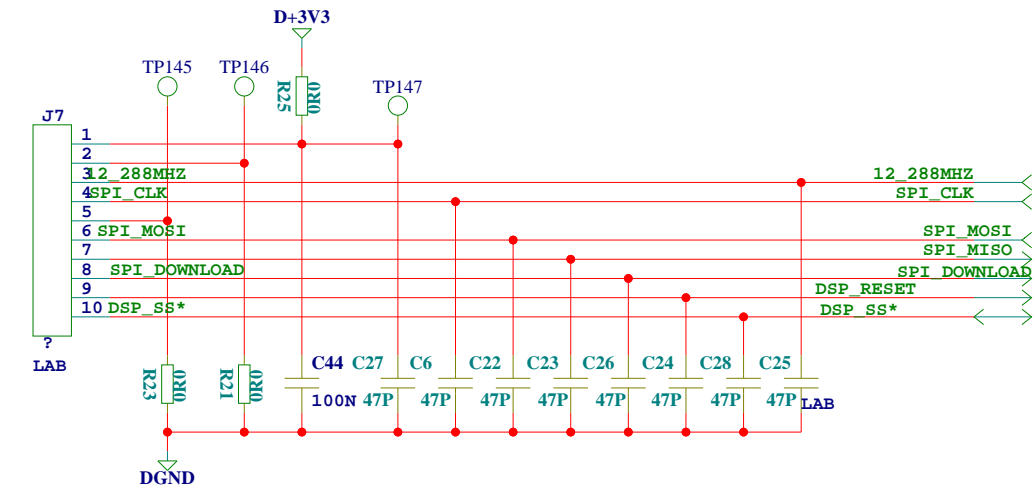
TC Electronic A/S		Designer DKH
Title HANS_V1	Module title MAINBOARD	
Number P22611_EB	Revision EBA	Previous page XX
Date 12-3-2007 13:30	Filename MEMORY	Page / of XX / XX



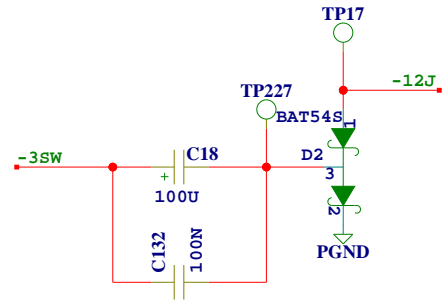
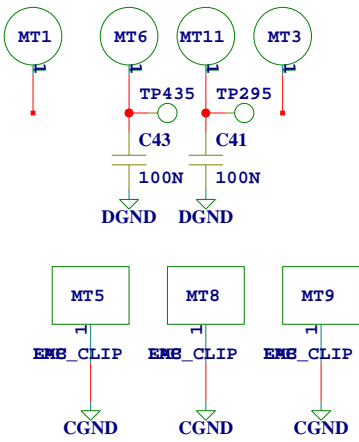
<b>TC Electronic A/S</b>		Designer DKH
Title HANS_V1		Module title MAINBOARD
Number P22611_EB	Revision EBA	Previous page XX
Date 12-3-2007_13:30	Filename MIC_INPUT	Page / of 1 / 1



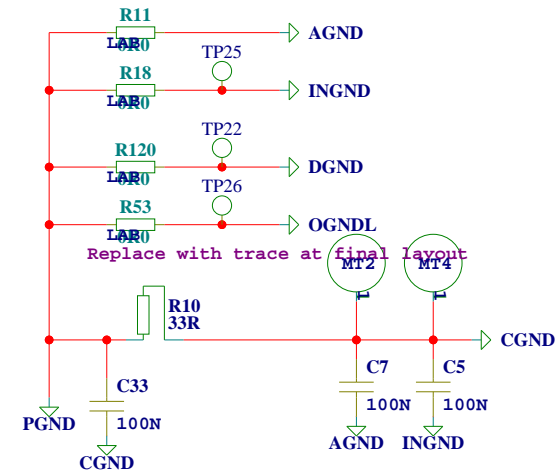
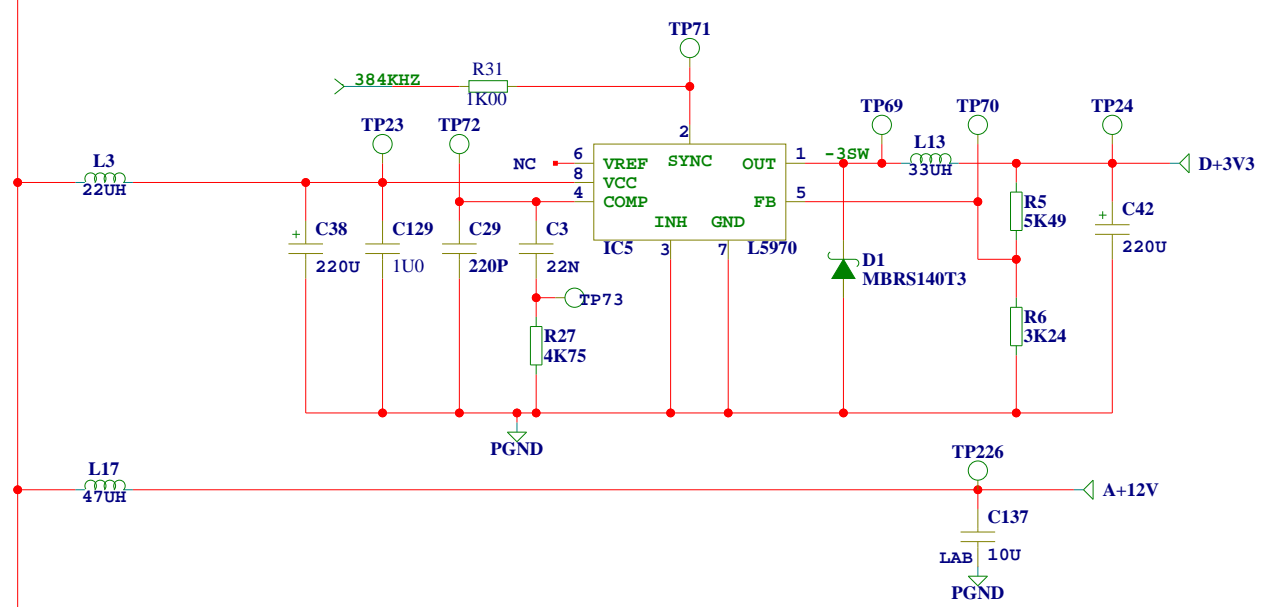
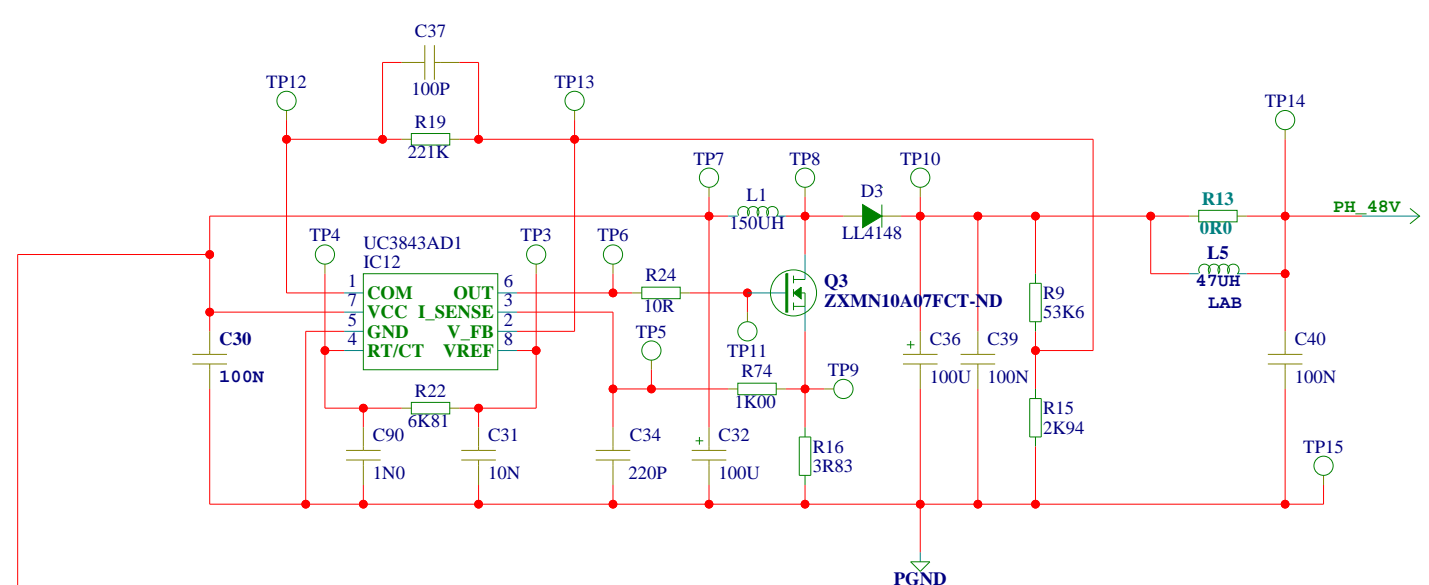
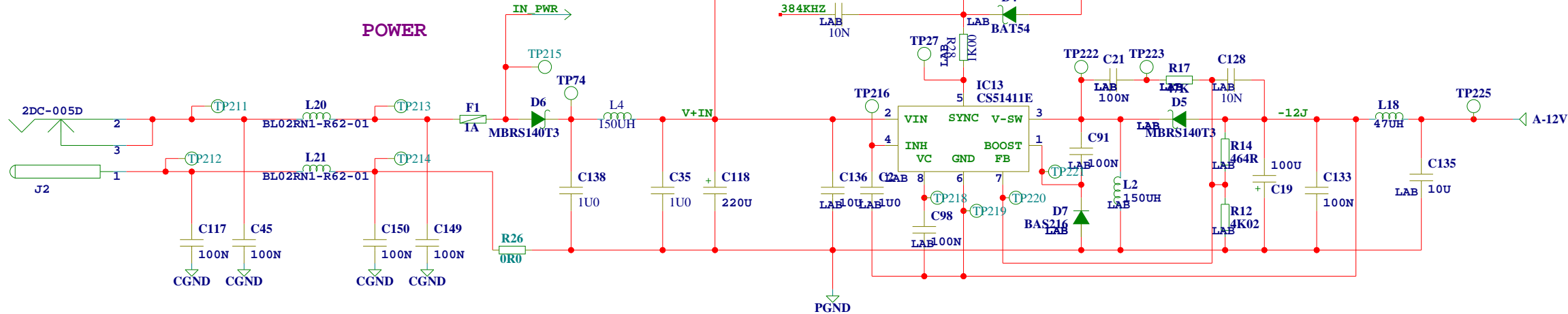
TC Electronic A/S			Designer
Title HANS_V1			DKH
Module title MAINBOARD		Revision EBA	
Number P22611_EB	Revision EBA	Previous page XX	
Date 12-5-2007 11:51	Filename DSP	Page / of XX / XX	



UI Connector



POWER



TC Electronic A/S		Designer DKH
Title HANS_V1	Module title MAINBOARD	
Number P22611_EB	Revision EBA	Previous page XX
Date 12-3-2007 13:30	Filename INTERFACE	Page / of XX / XX