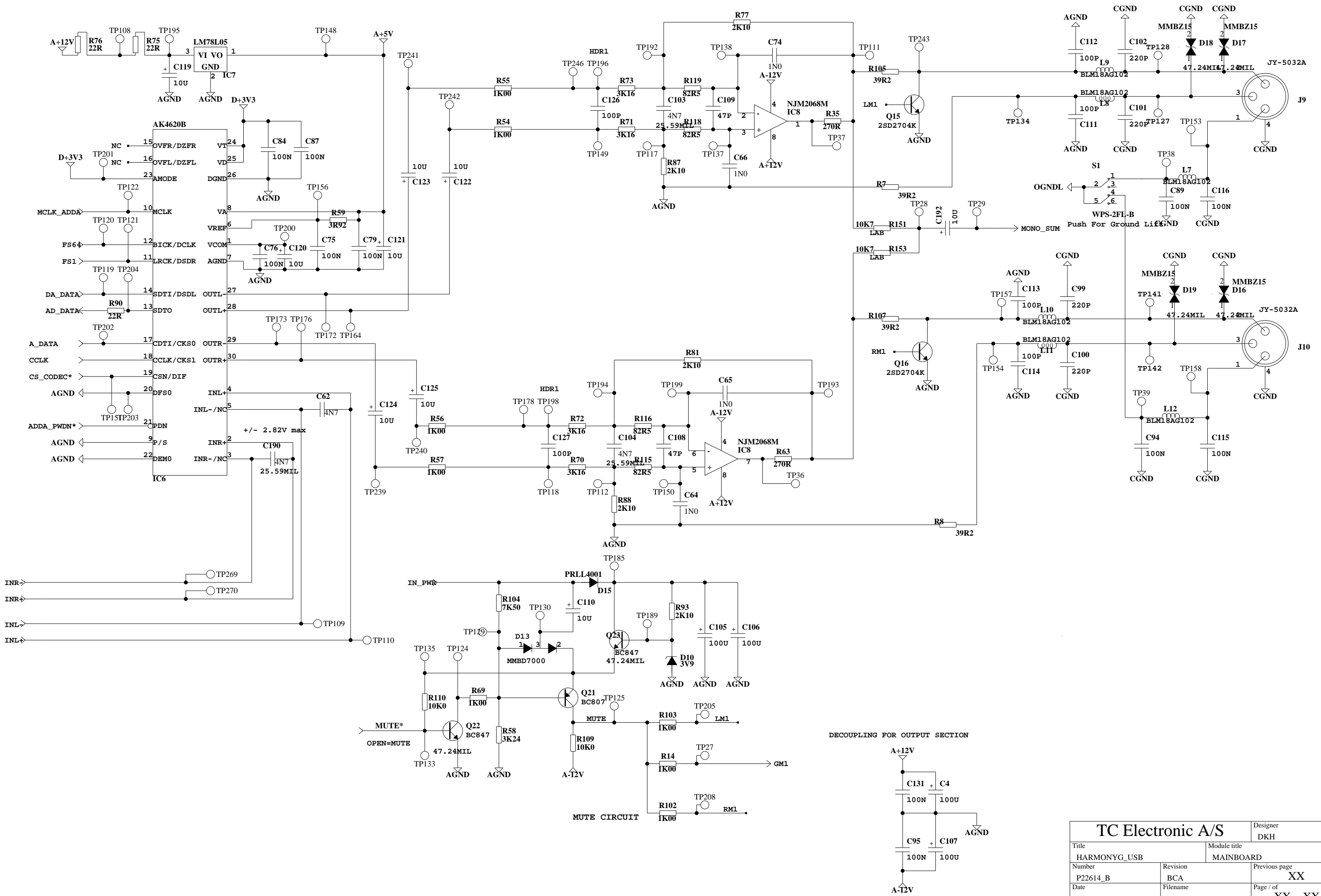
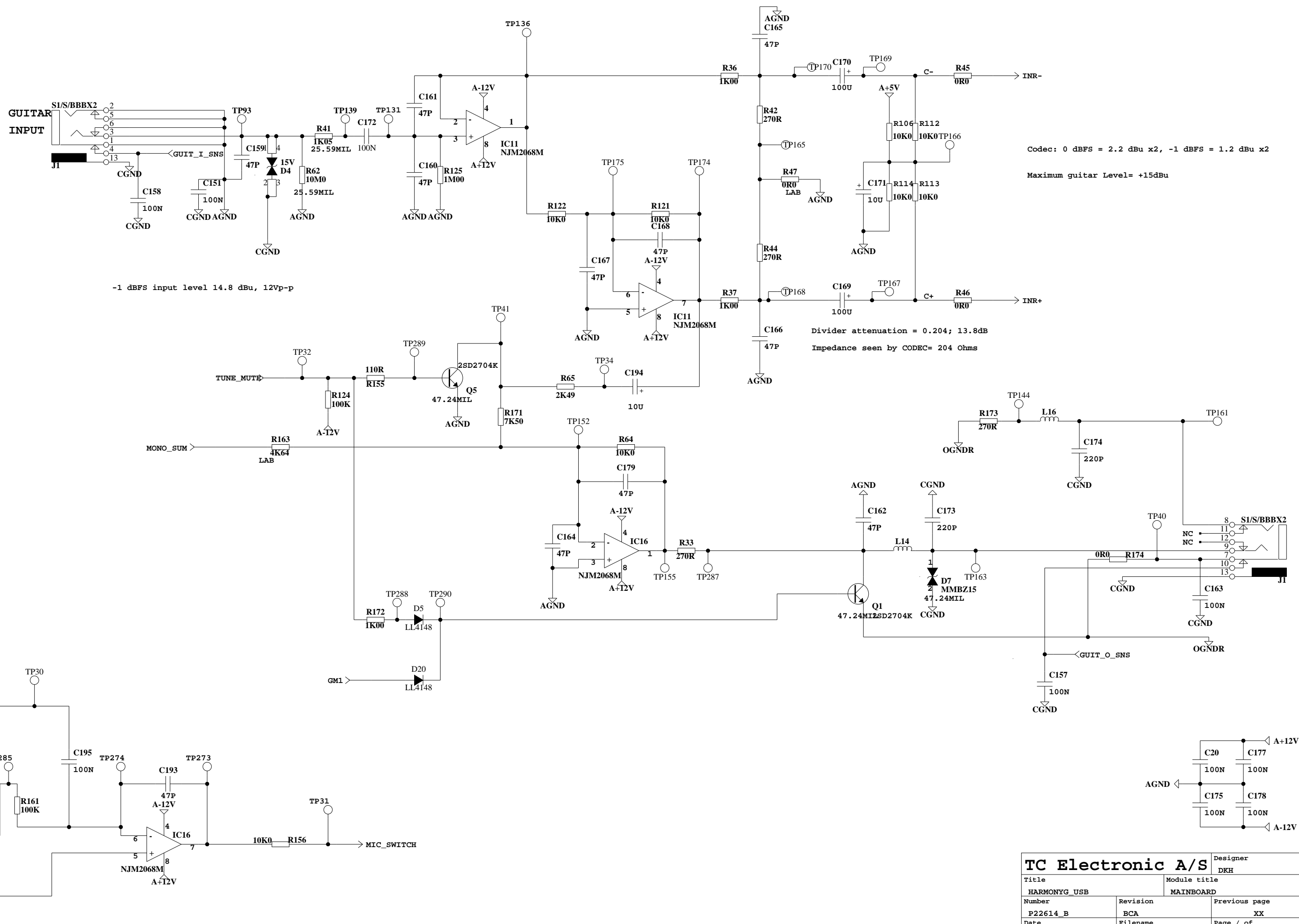


P22614-B  
M1

Title		Designer	
HARMONYG_USB		DKH	
Number	Revision	Module title	Previous page
P22614_B	BCA	MAINBOARD	XX
Date	Filename	Page / of	
6-26-2009 15:24	P22614-B	XX / XX	



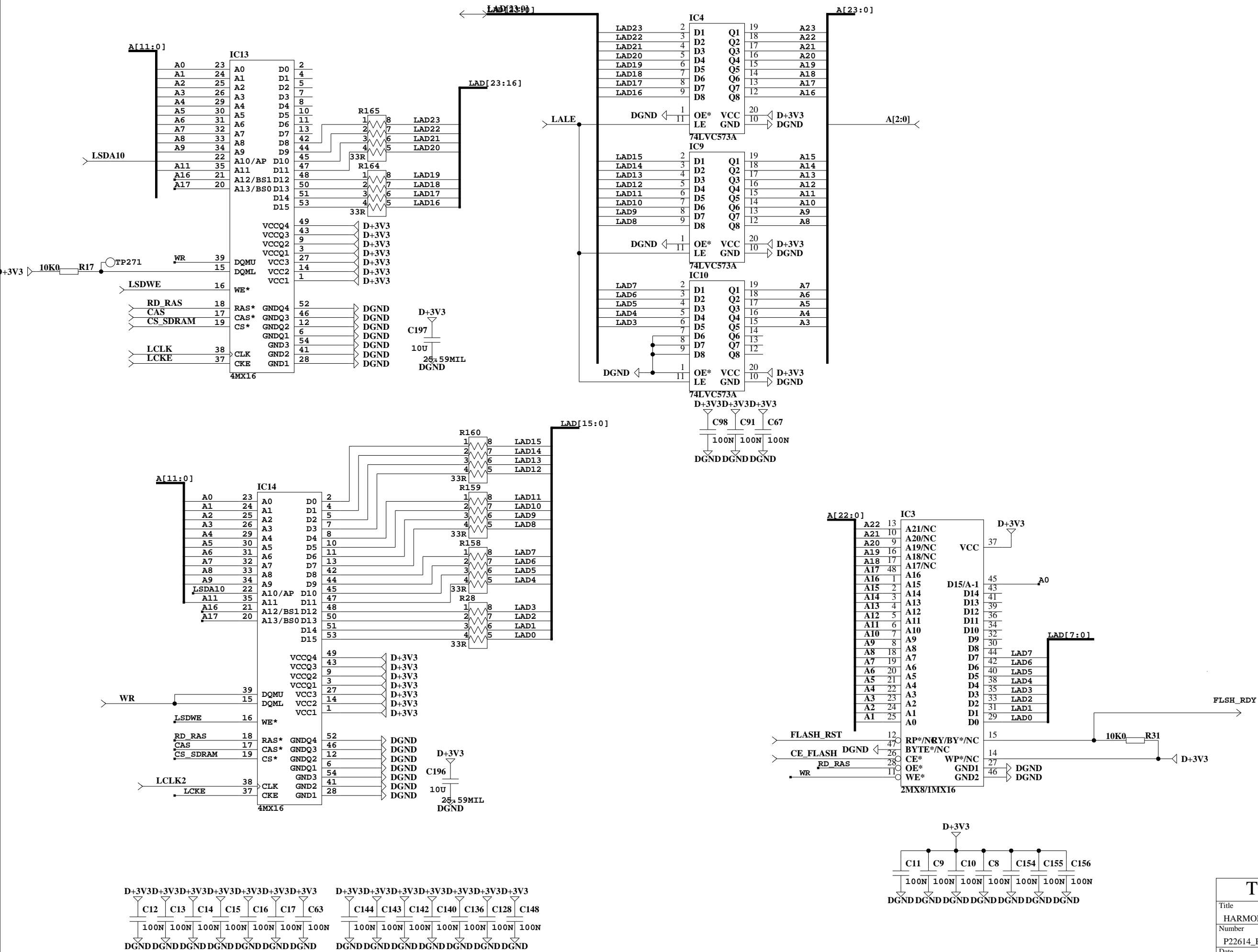


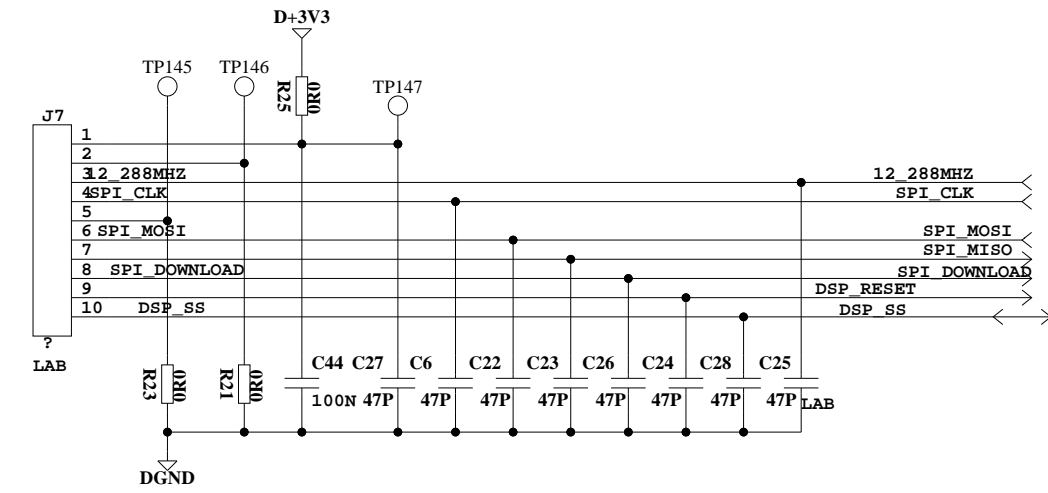
-1 dBFS input level 14.8 dBu, 12Vp-p

Codec: 0 dBFS = 2.2 dBu x2, -1 dBFS = 1.2 dBu x2  
 Maximum guitar Level= +15dBu

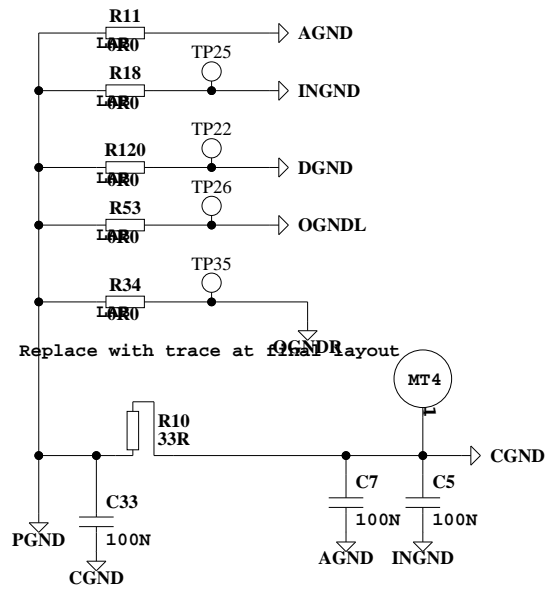
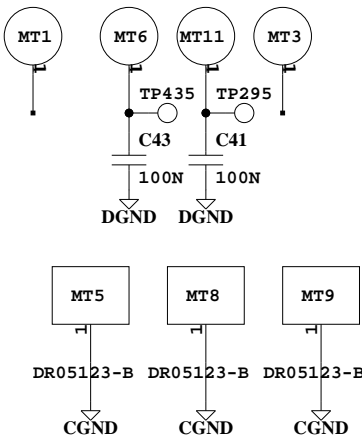
Divider attenuation = 0.204; 13.8dB  
 Impedance seen by CODEC= 204 Ohms

<b>TC Electronic A/S</b>		Designer DKH
Title HARMONYG_USB		Module title MAINBOARD
Number P22614_B	Revision BCA	Previous page XX
Date 6-26-2009 14:56	Filename GUITAR_INPUT	Page / of 1 / 1

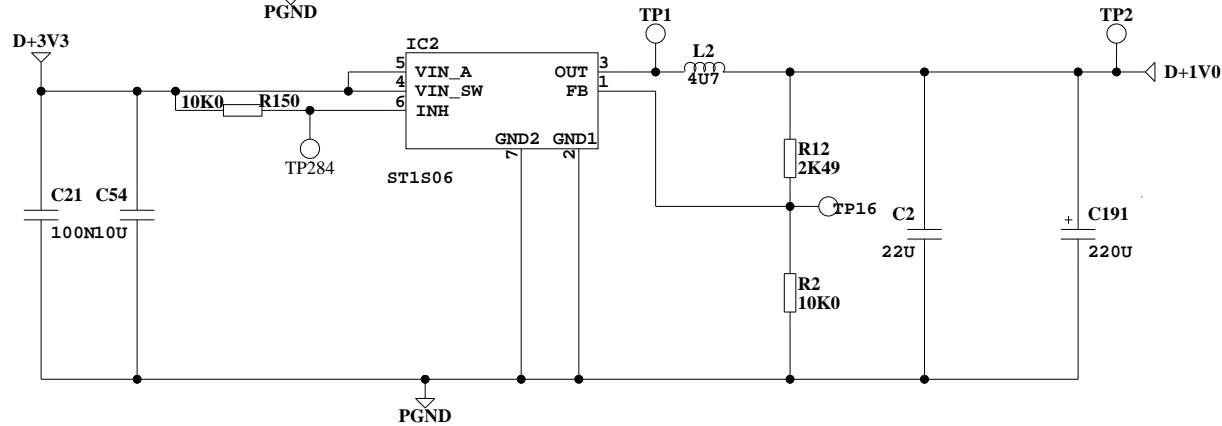
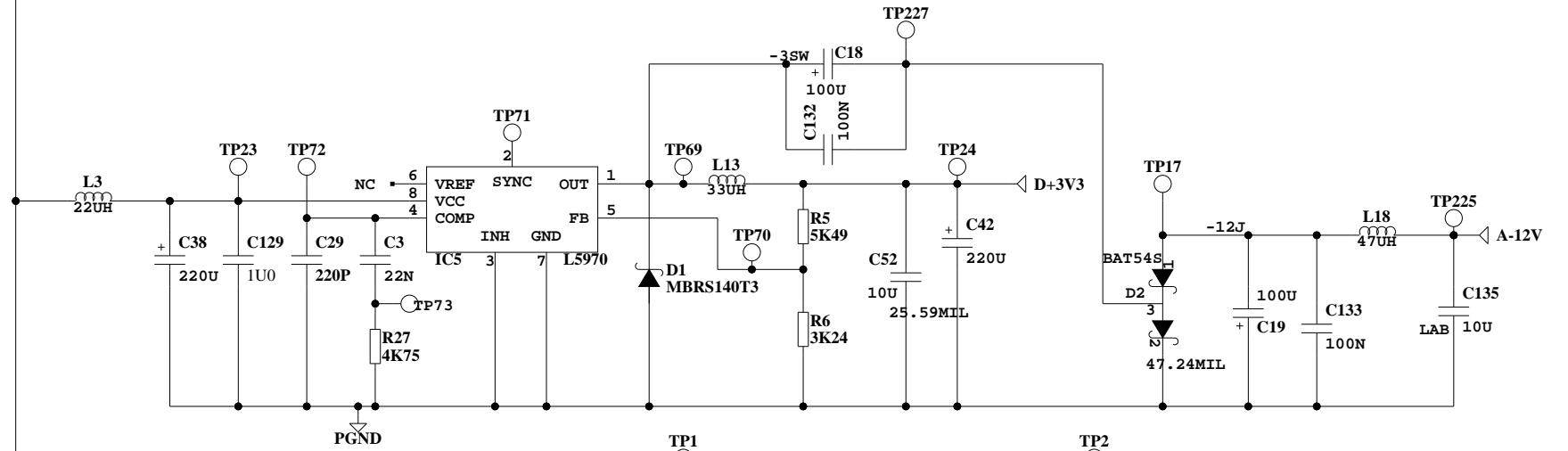
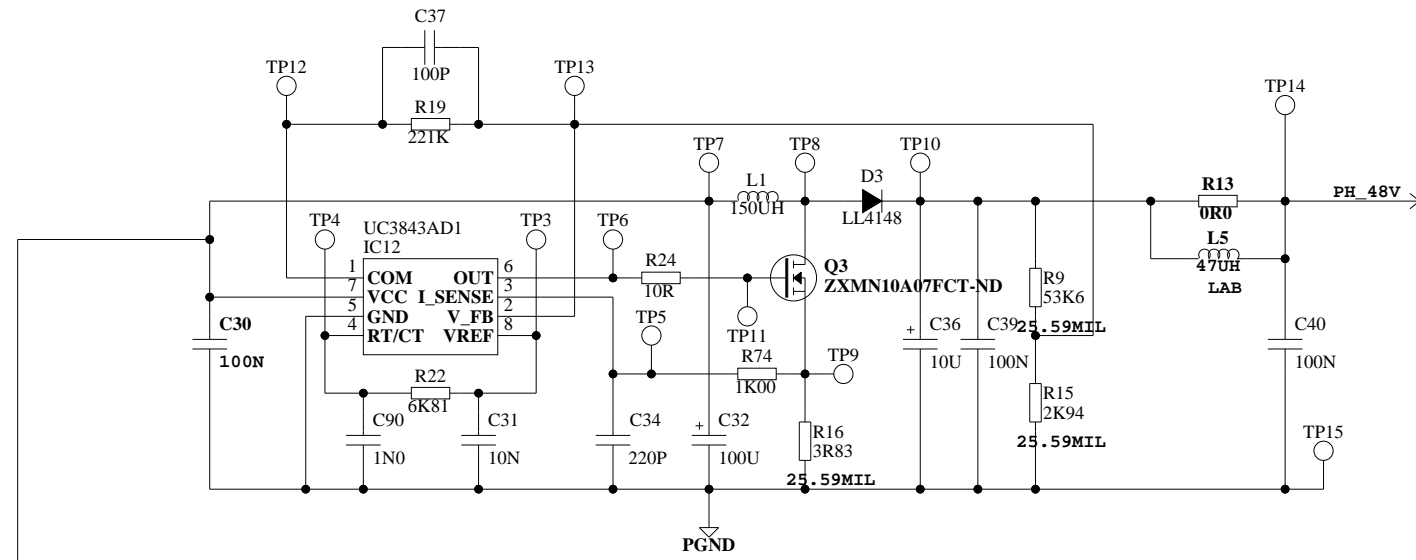
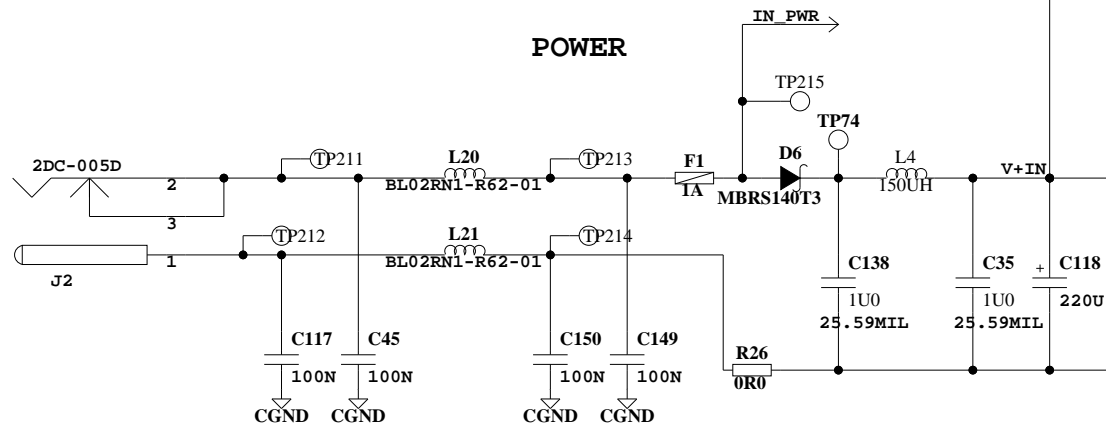




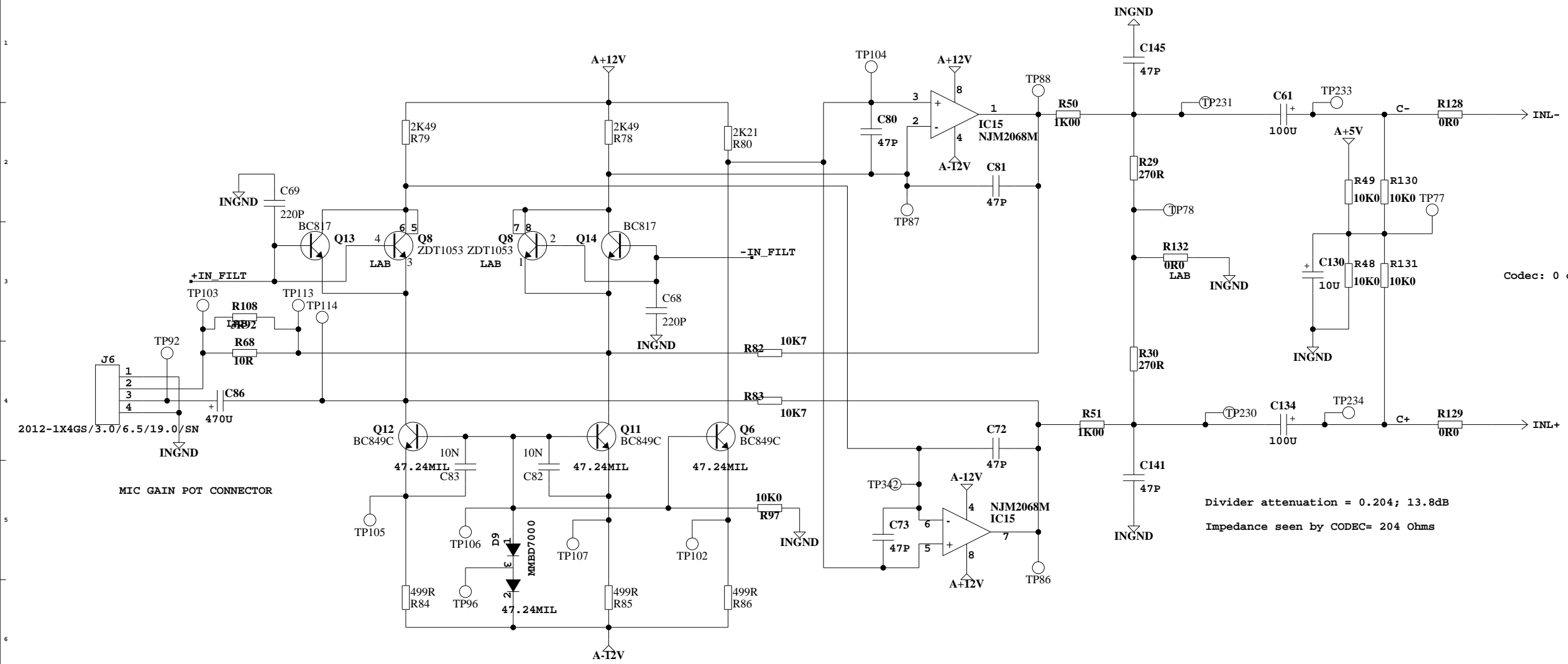
**UI Connector**



**POWER**

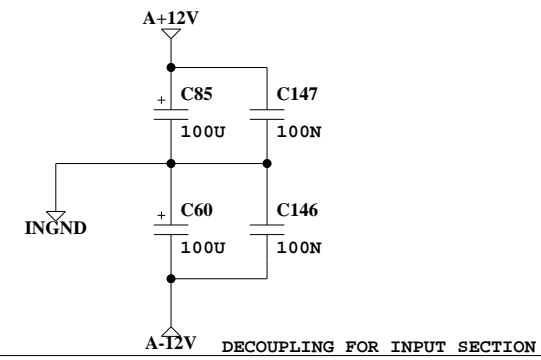
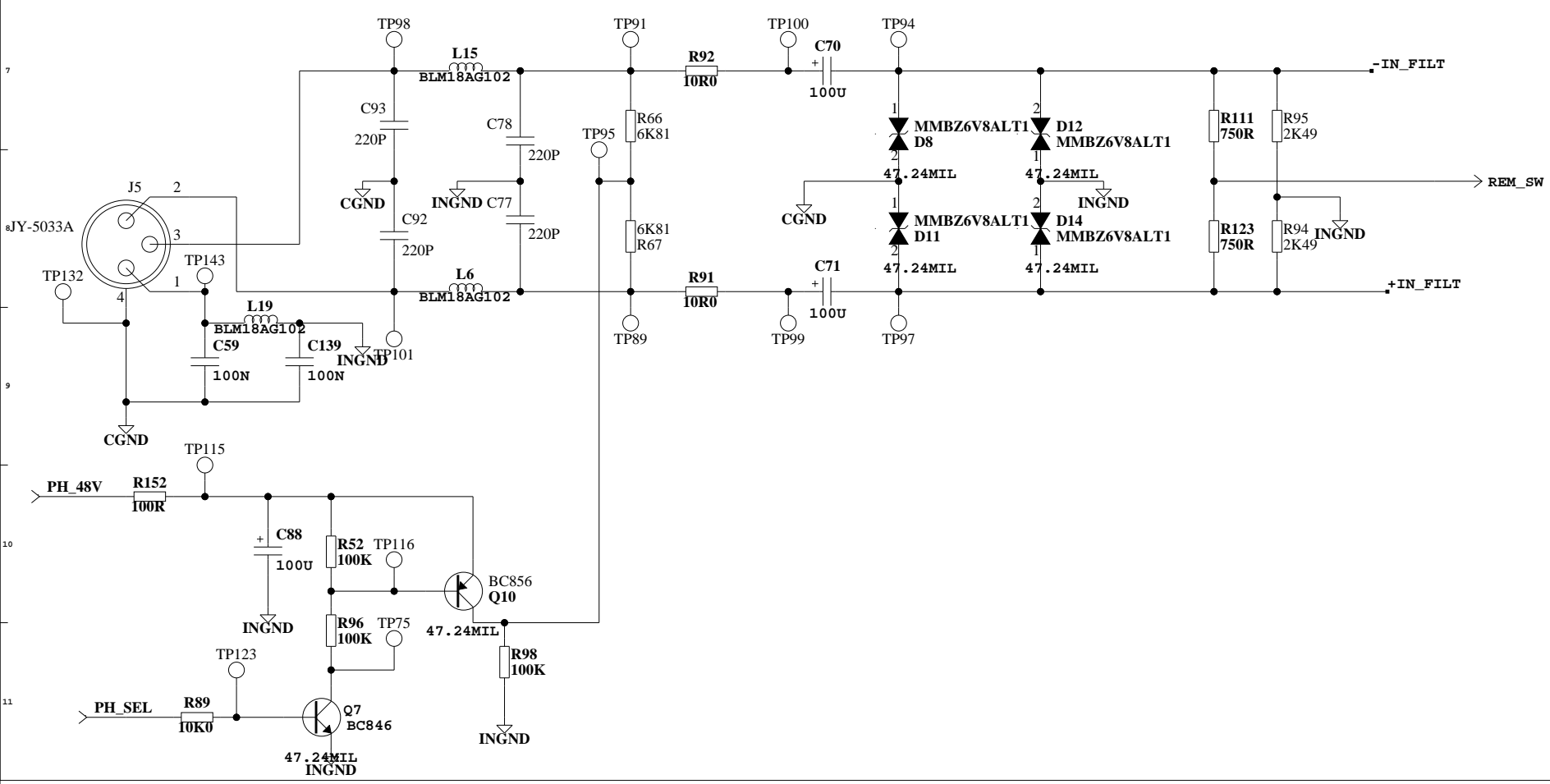


TC Electronic A/S		Designer DKH
Title HARMONYG_USB	Module title MAINBOARD	
Number P22614_B	Revision BCA	Previous page XX
Date 6-26-2009 14:56	Filename INTERFACE	Page / of XX / XX

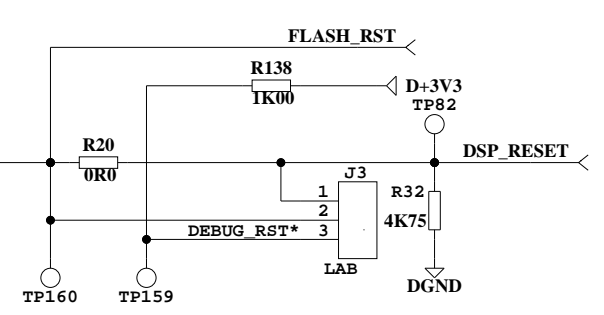
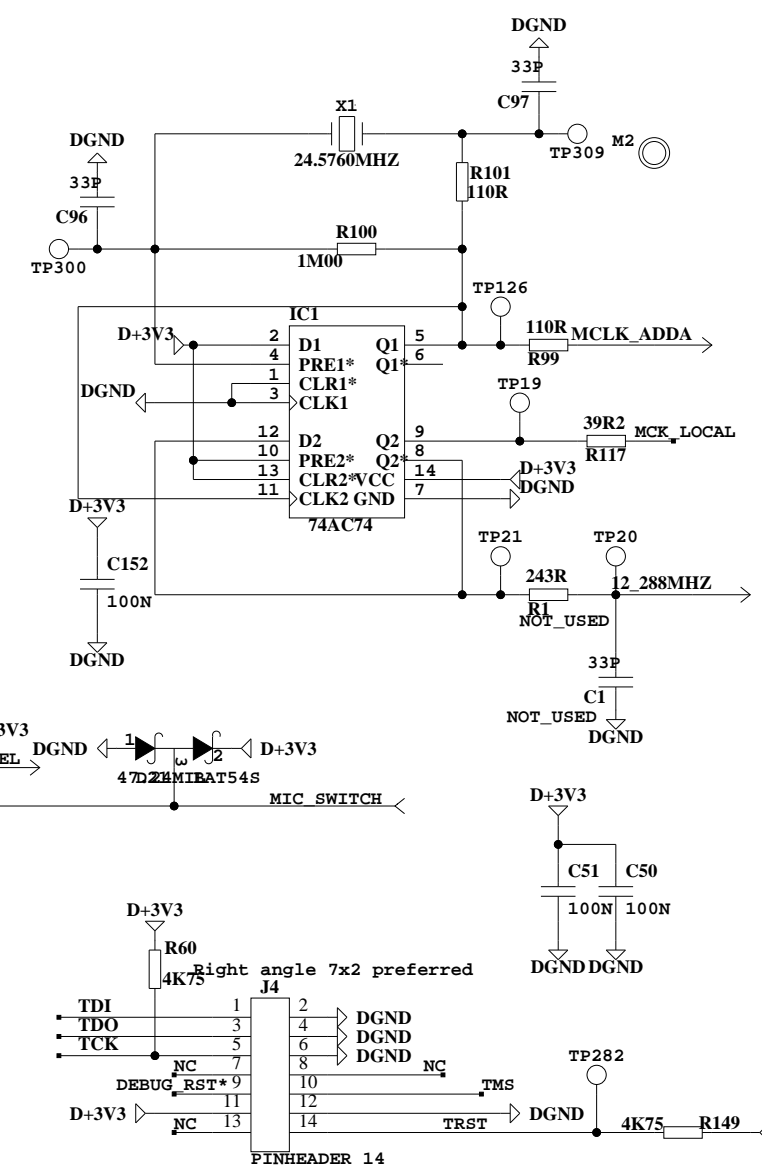
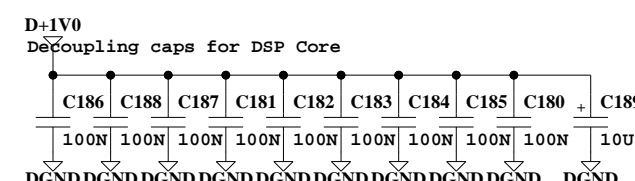
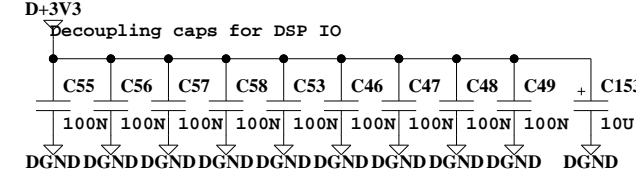
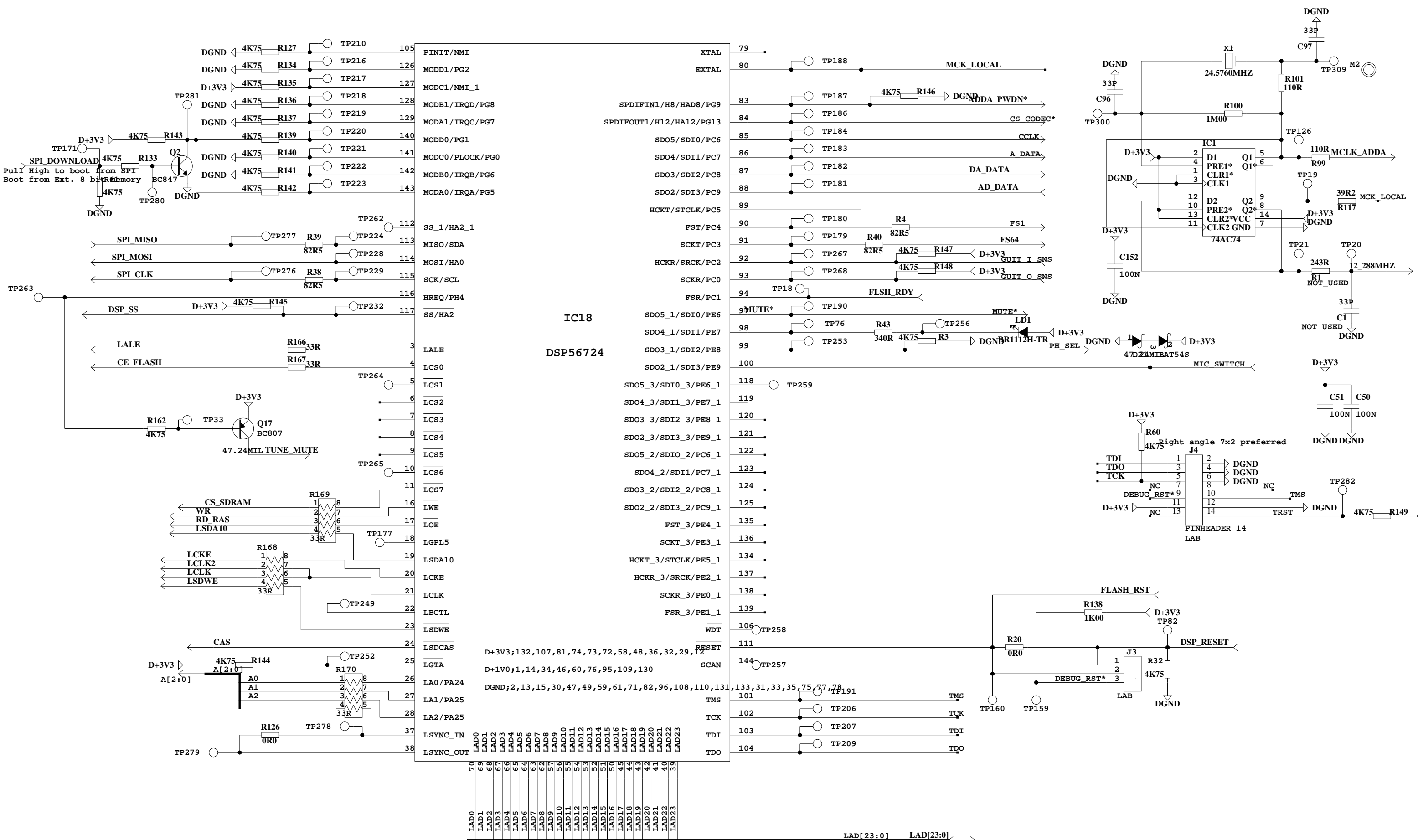


Codec: 0 dBFS = 2.2 dBu x2, -1 dBFS = 1.2 dBu x2

Divider attenuation = 0.204; 13.8dB  
Impedance seen by CODEC= 204 Ohms



<b>TC Electronic A/S</b>		Designer DKH
Title HARMONYG_USB	Module title MAINBOARD	
Number P22614_B	Revision BCA	Previous page XX
Date 6-26-2009_14:56	Filename MIC_INPUT	Page / of 1/1



TC Electronic A/S		Designer DKH
Title HARMONYG_USB	Module title MAINBOARD	
Number P22614_B	Revision BCA	Previous page XX
Date 6-26-2009 14:57	Filename DSP720	Page / of XX / XX