

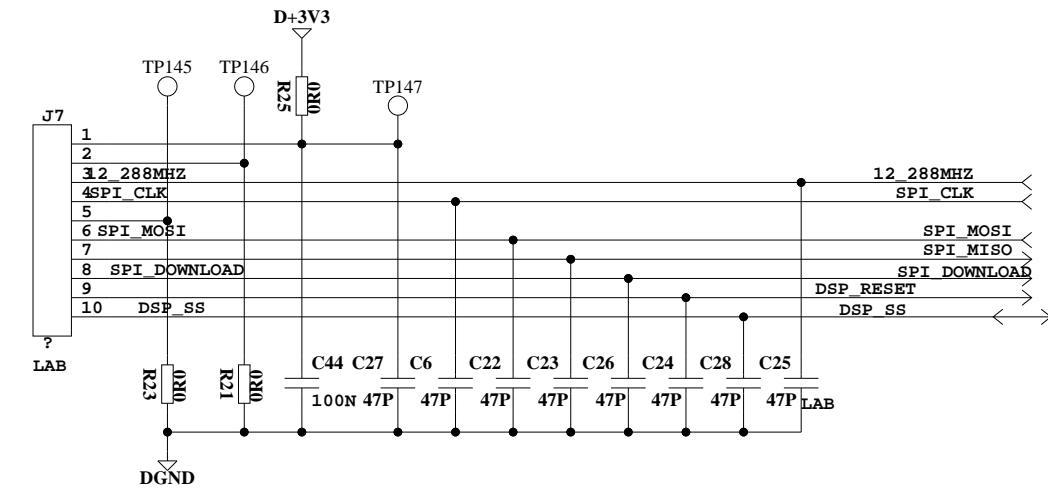
P22614-B  
M1

<b>TC Electronic A/S</b> Title: <b>HANS_V5</b>		Designer: <b>DKH</b>
		Module title: <b>MAINBOARD</b>
Number: <b>P22614_B</b>	Revision: <b>BAE</b>	Previous page: <b>XX</b>
Date: <b>7-3-2008 11:27</b>	Filename: <b>P22614-B</b>	Page / of: <b>XX / XX</b>

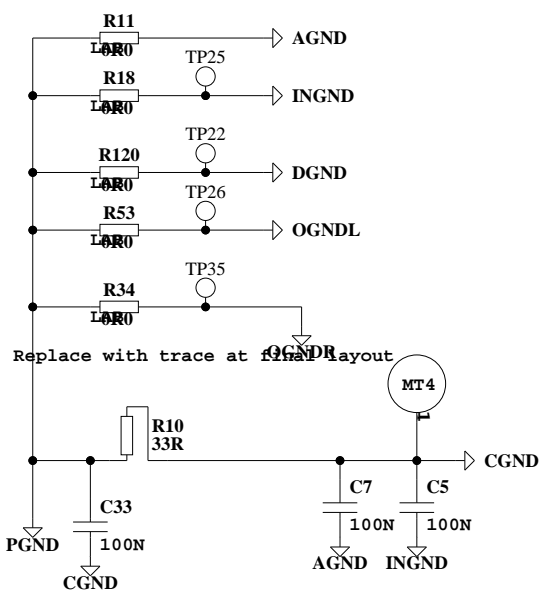
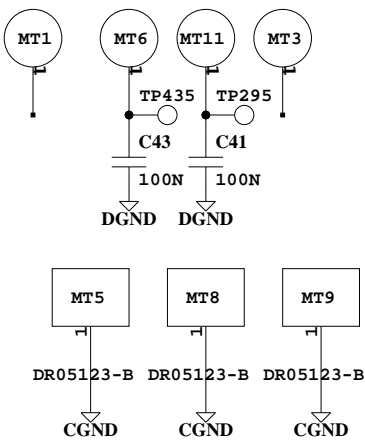




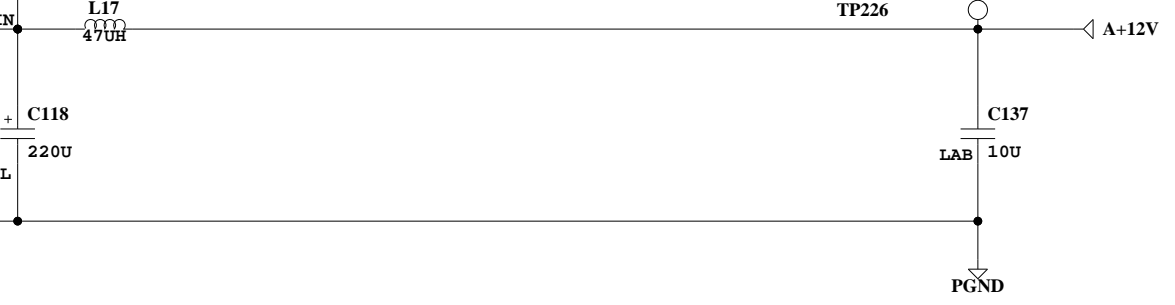
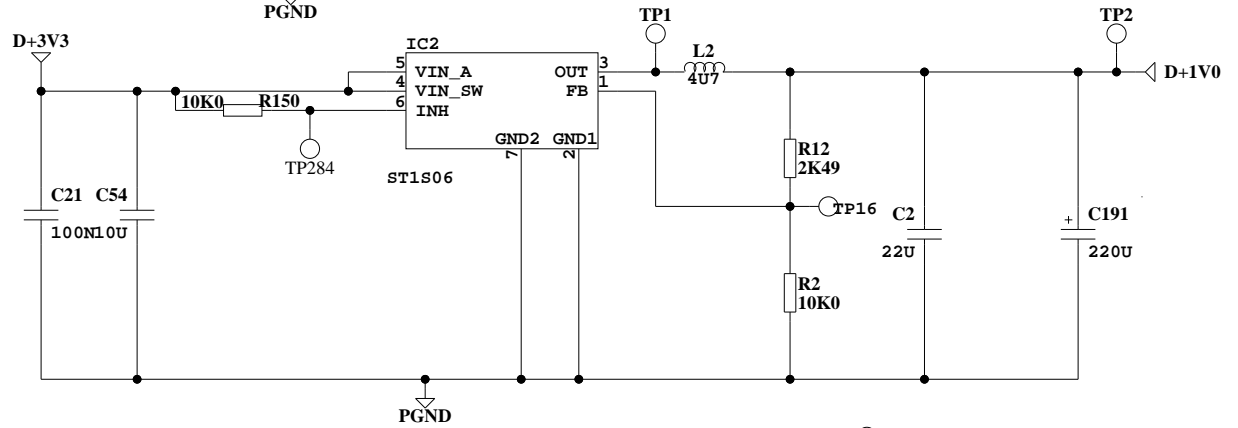
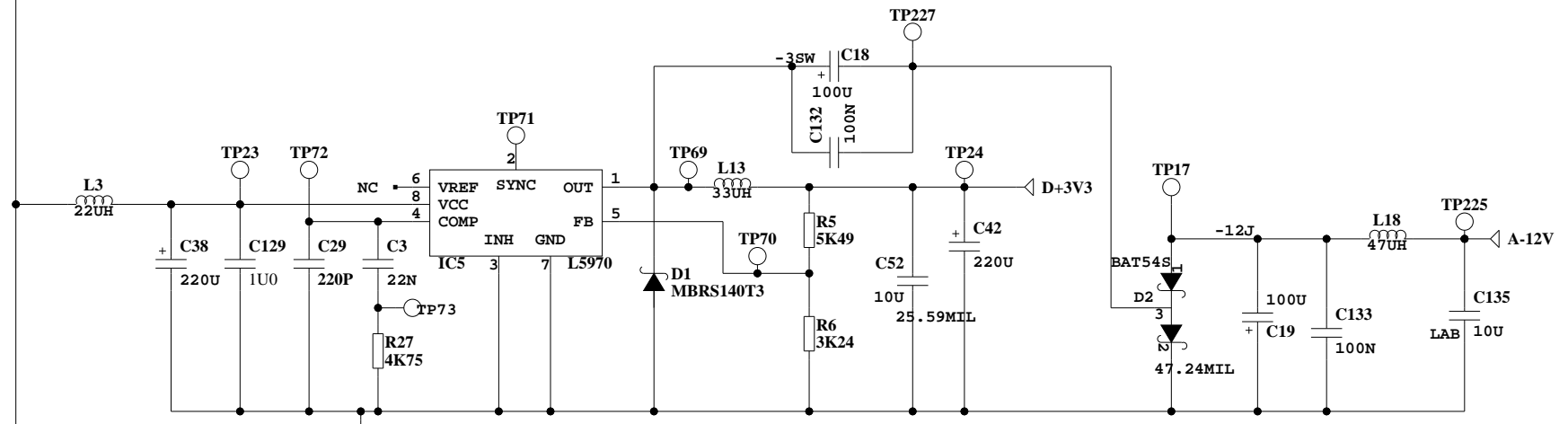
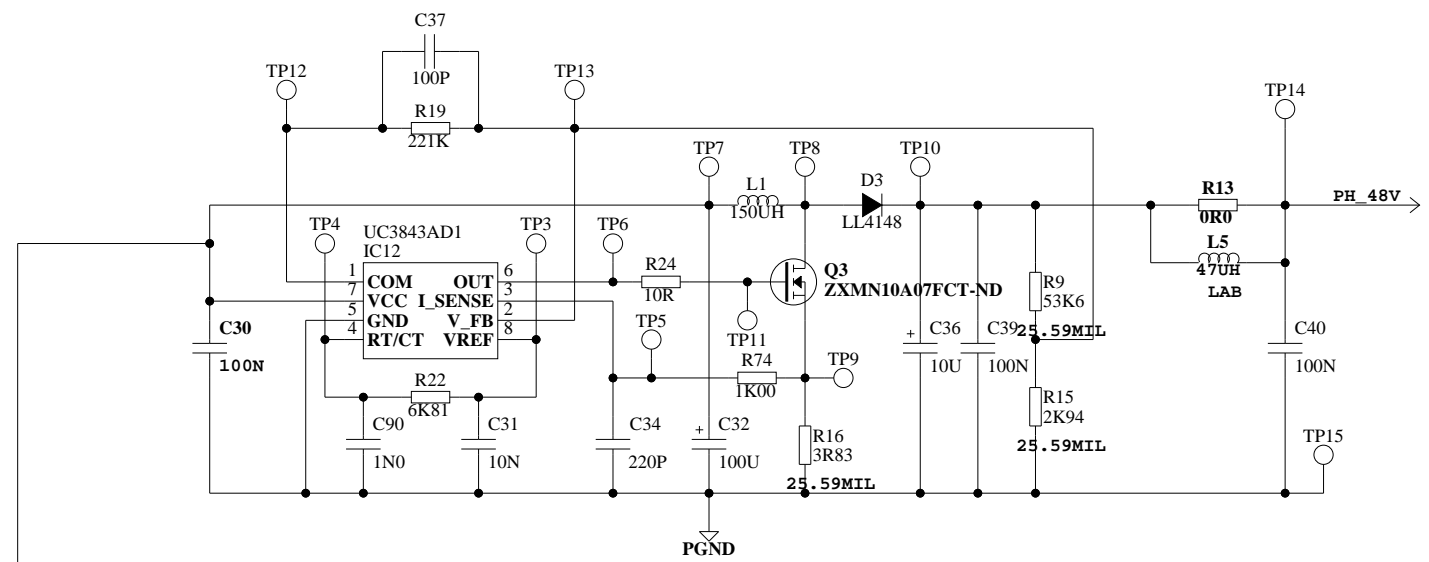
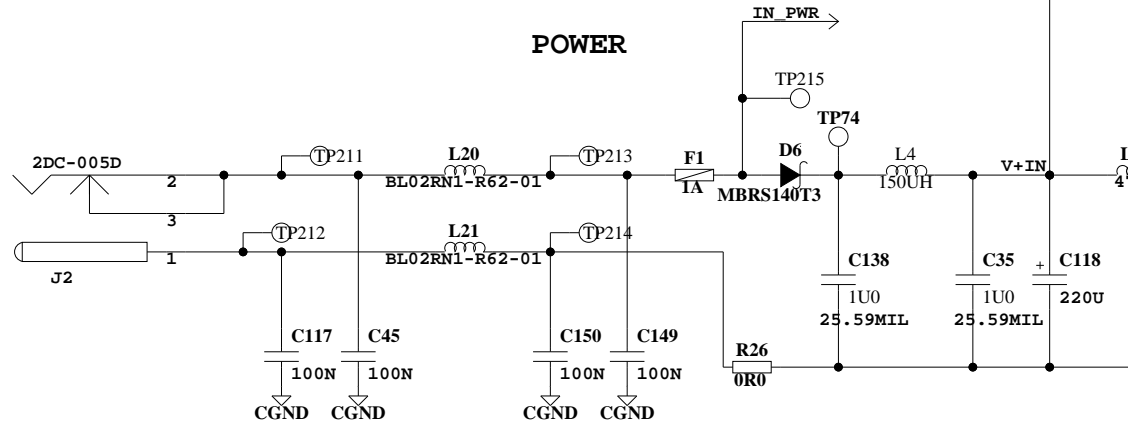




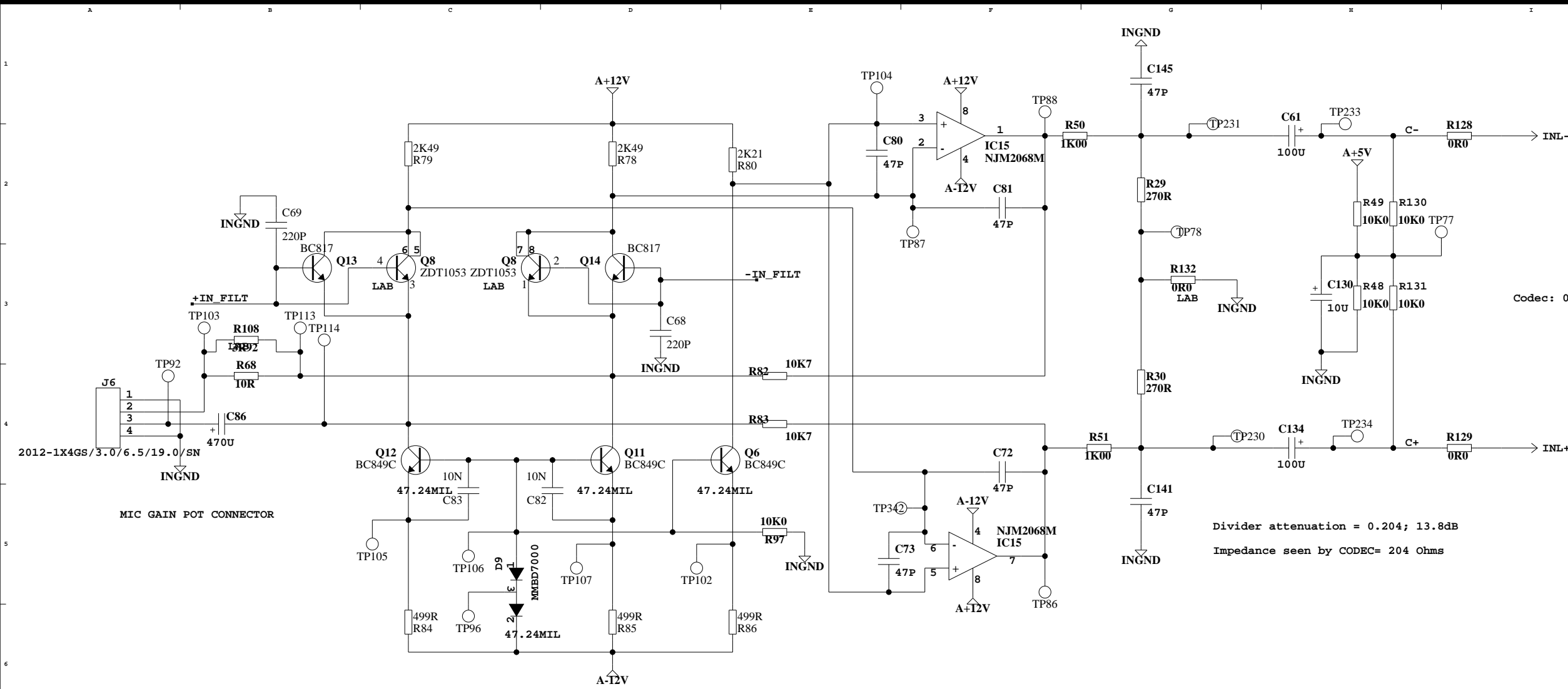
**UI Connector**



**POWER**

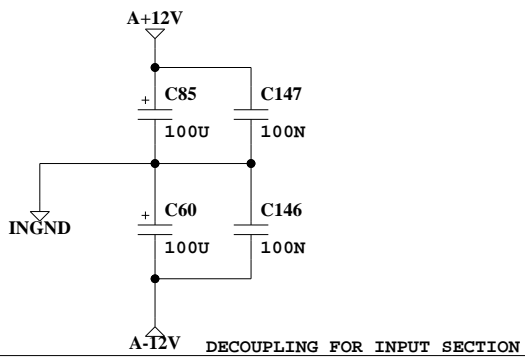
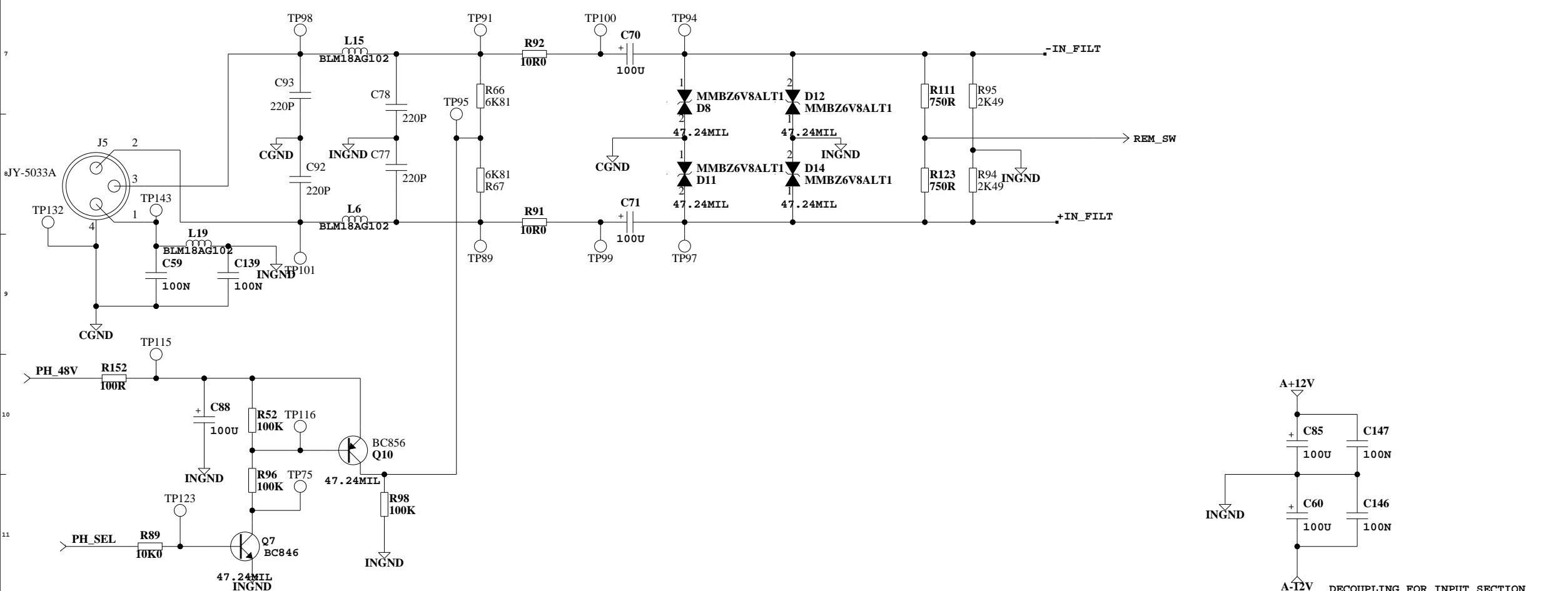


<b>TC Electronic A/S</b> Title: HANS_V5 Number: P22614_B Date: 7-3-2008 11:27		Designer: DKH Module title: MAINBOARD Revision: BAE Filename: INTERFACE	Previous page: XX Page / of: XX / XX
		Title: HANS_V5 Number: P22614_B Date: 7-3-2008 11:27	

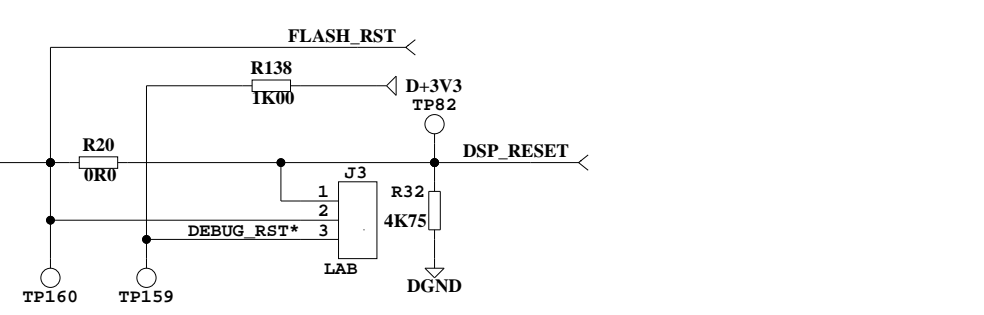
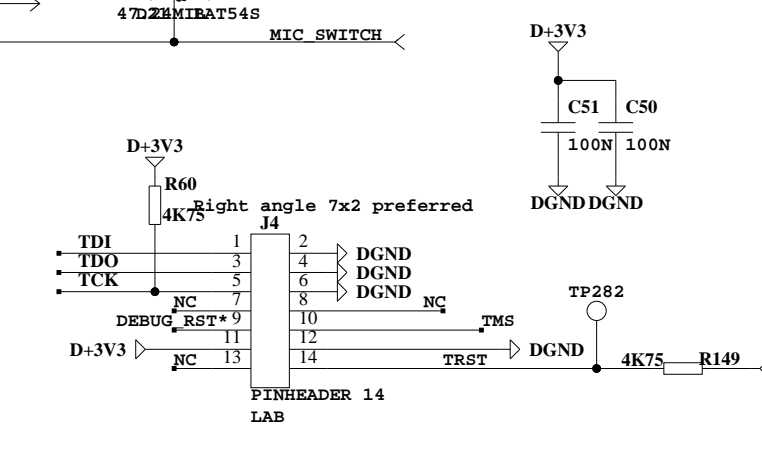
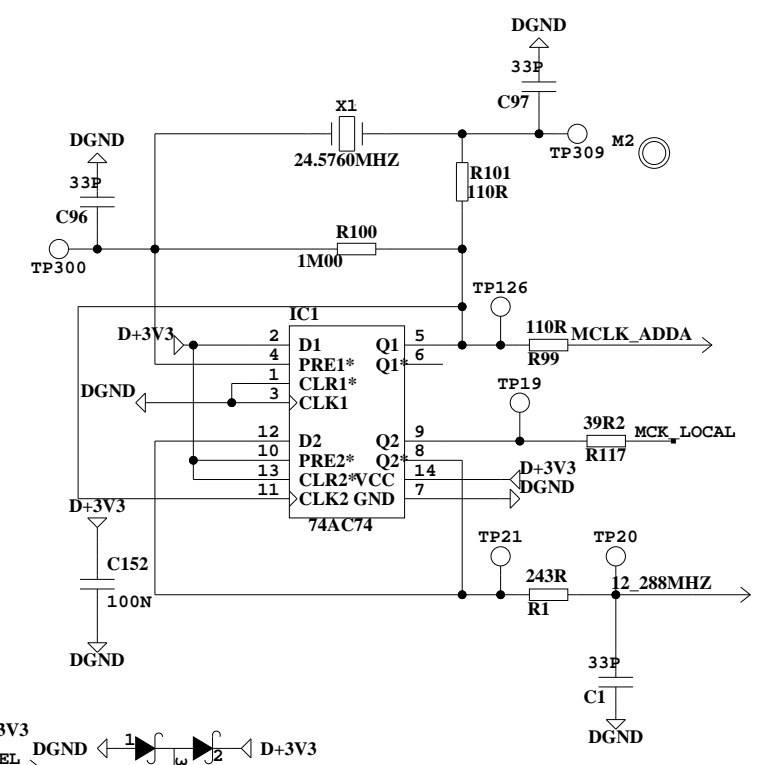
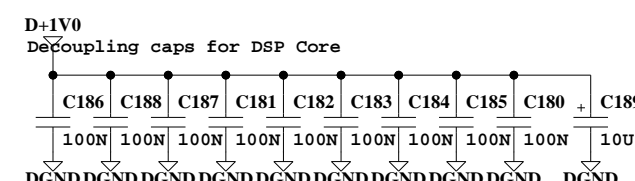
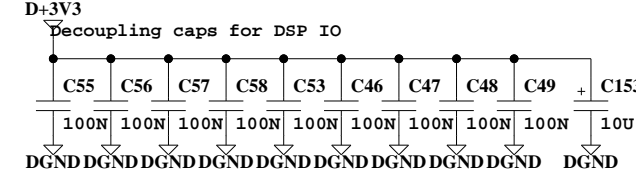
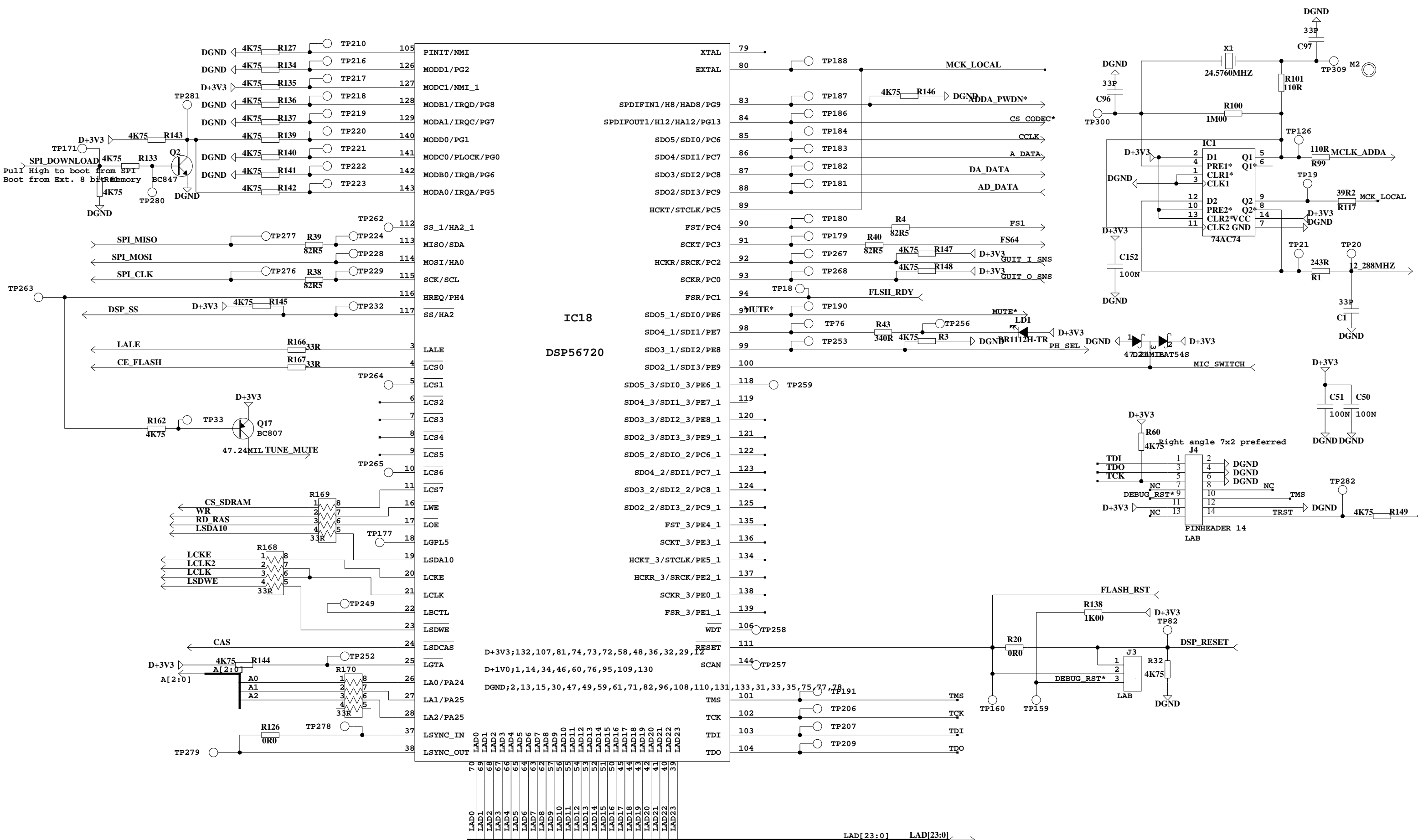


Codec: 0 dBFS = 2.2 dBu x2, -1 dBFS = 1.2 dBu x2

Divider attenuation = 0.204; 13.8dB  
Impedance seen by CODEC= 204 Ohms



<b>TC Electronic A/S</b>		Designer DKH
Title HANS_V5	Module title MAINBOARD	
Number P22614_B	Revision BAE	Previous page XX
Date 7-3-2008_11:27	Filename MIC_INPUT	Page / of 1/1



TC Electronic A/S		Designer
HANS_V5		DKH
Module title	MAINBOARD	
Number	Revision	Previous page
P22614_B	BAE	XX
Date	Filename	Page / of
7-3-2008 11:27	DSP720	XX / XX