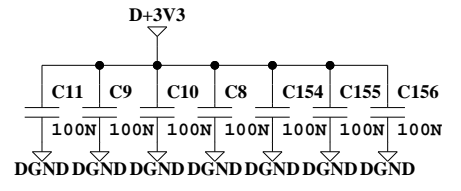
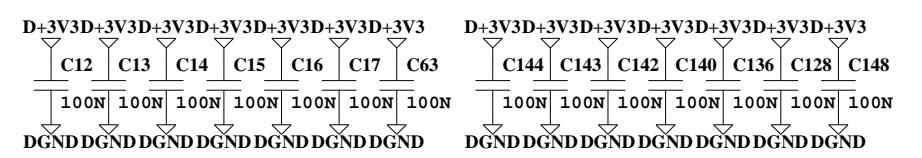
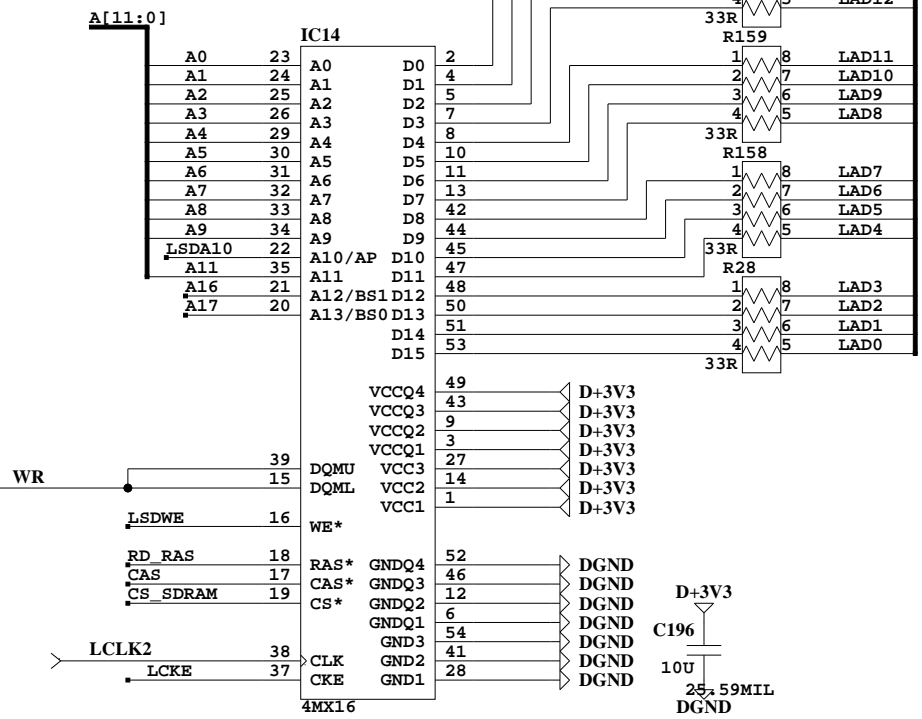
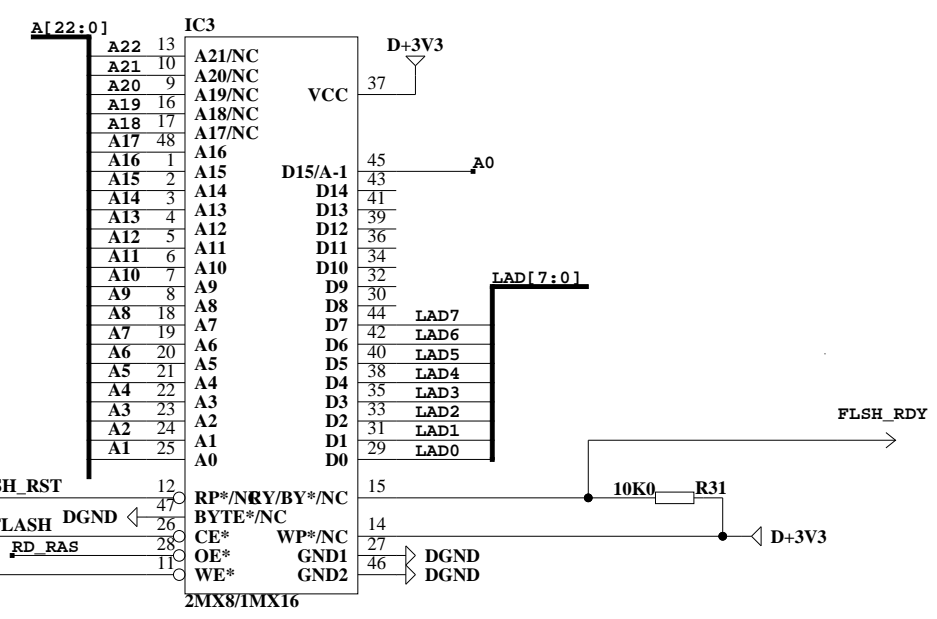
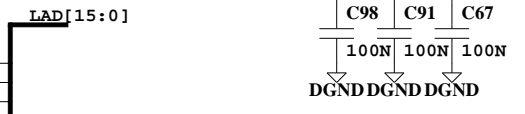
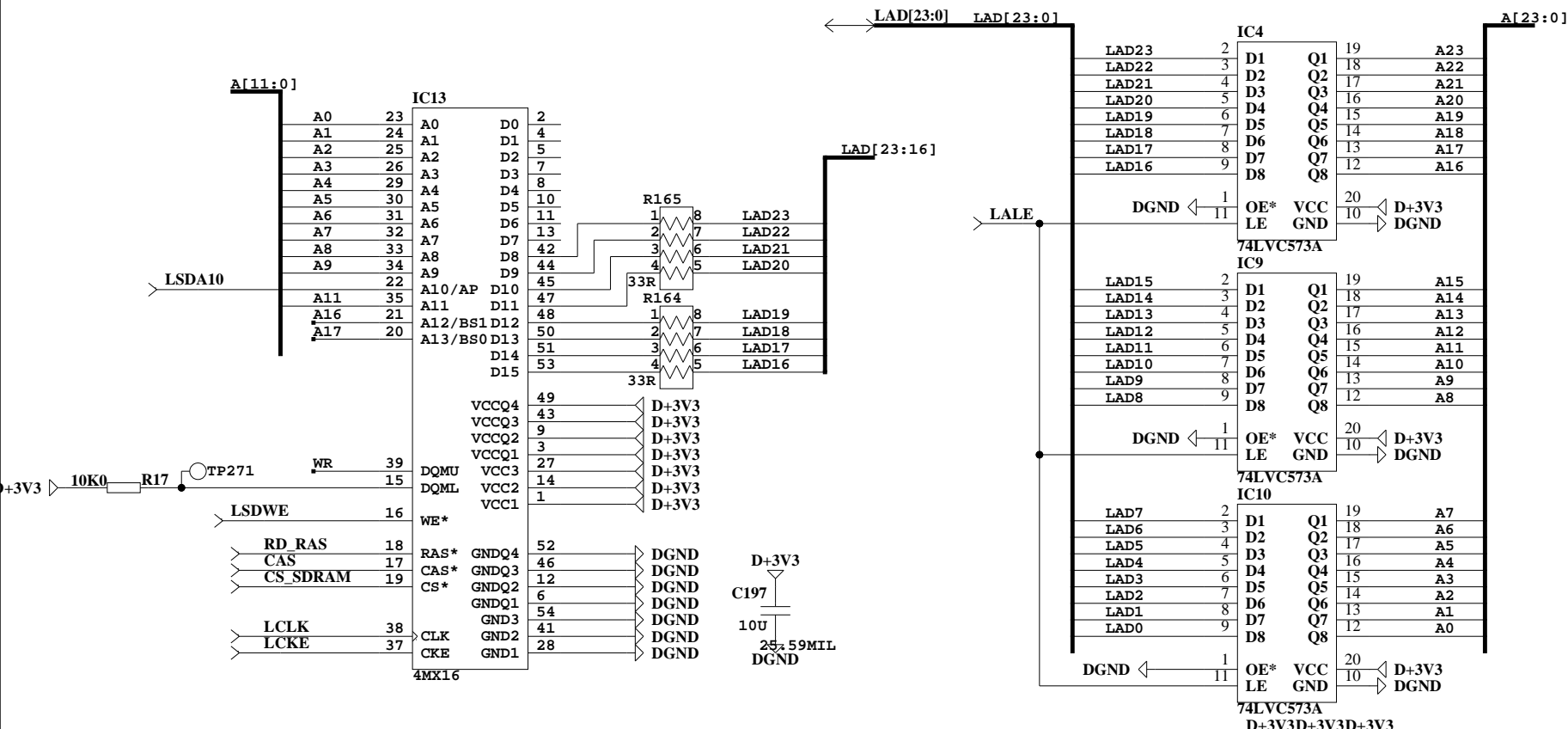
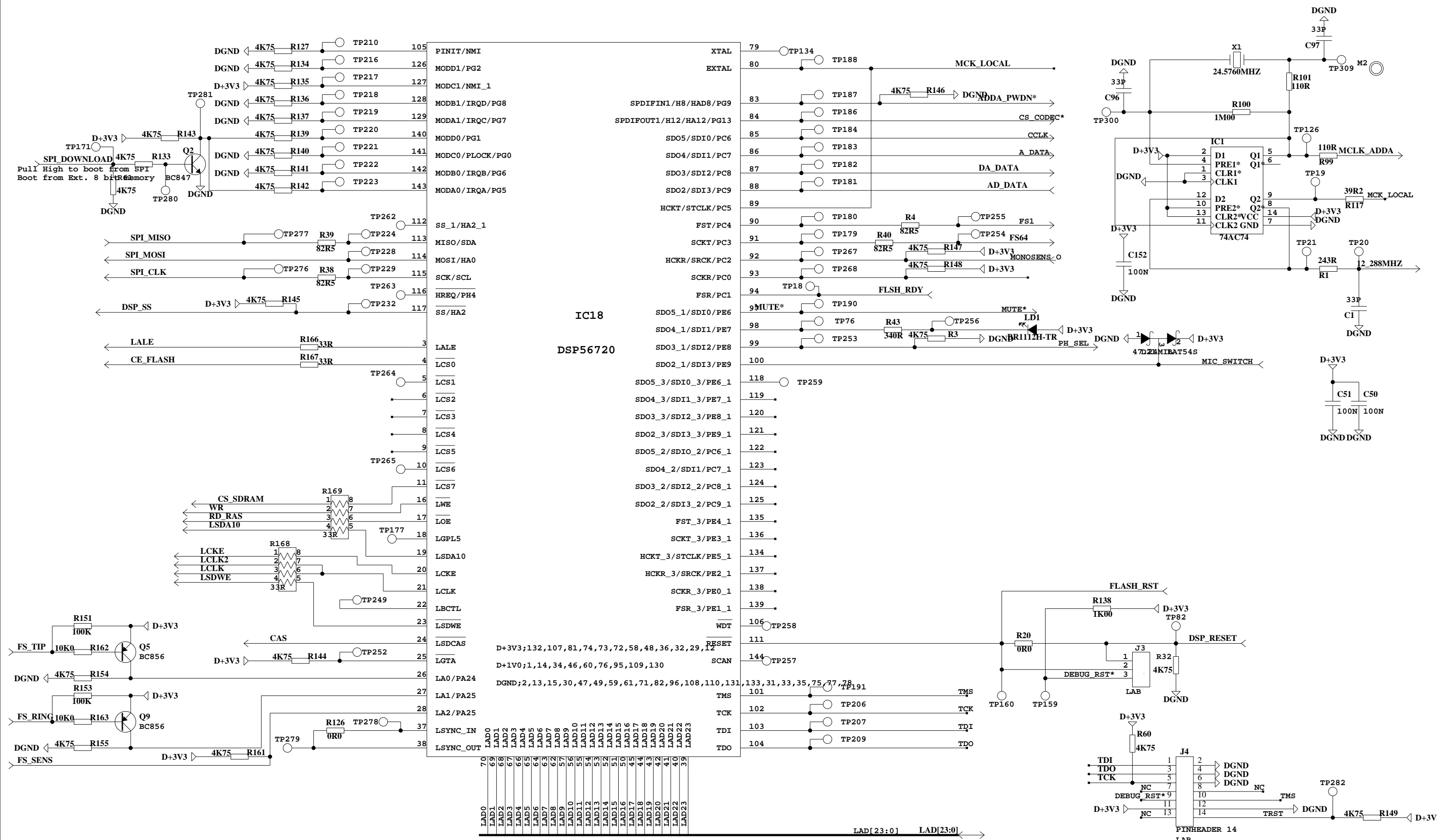


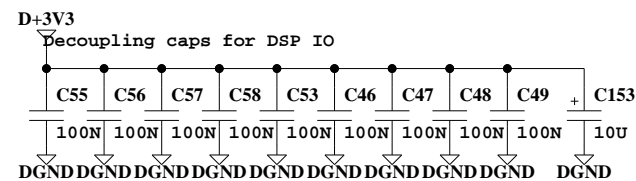
P22615-A
M1

TC Electronic A/S Title: HANS_V6		Designer: DKH
		Module title: MAINBOARD
Number: P22615_A	Revision: AAF	Previous page: XX
Date: 7-3-2008 11:43	Filename: P22615-A	Page / of: XX / XX

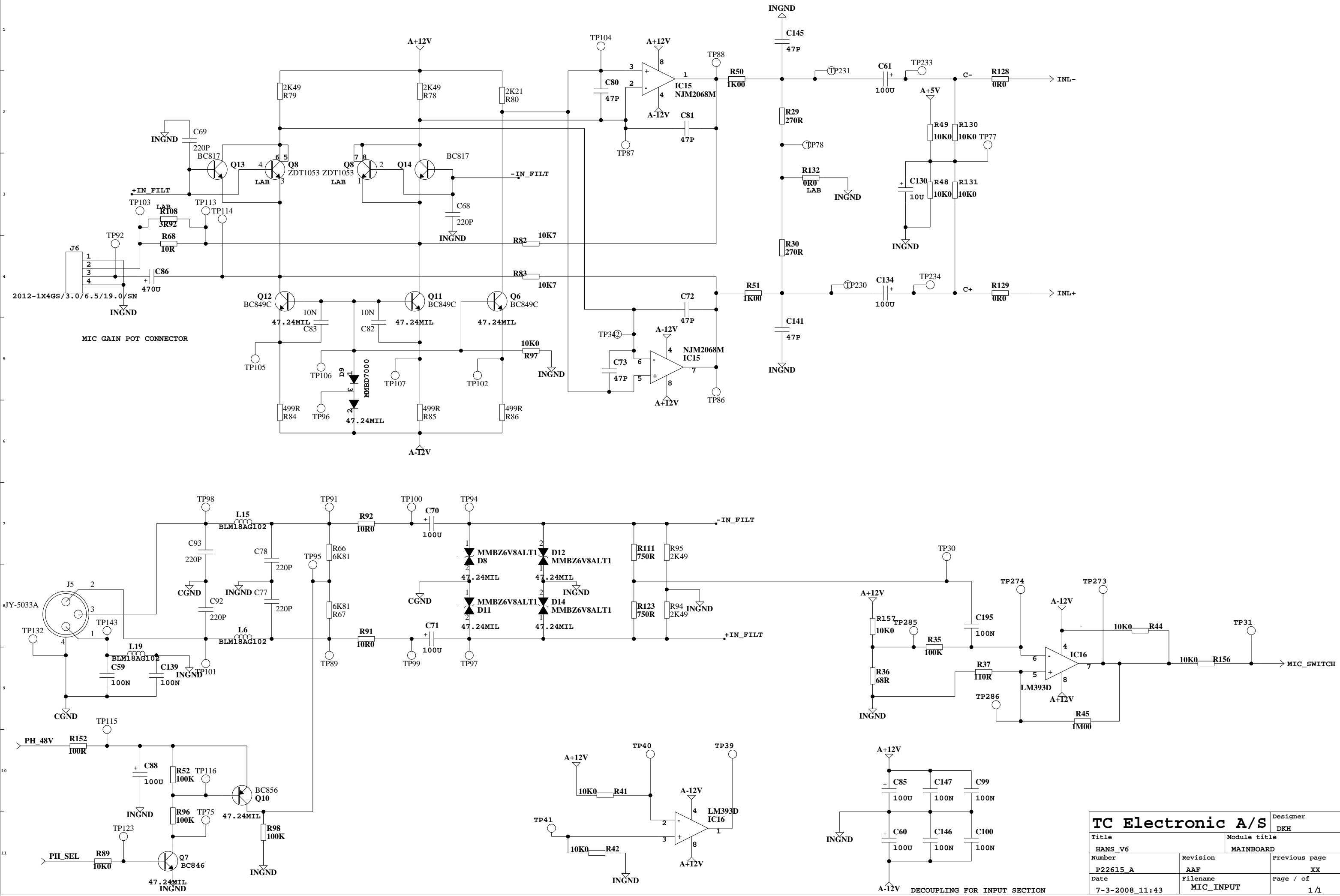




IC18
DSP56720



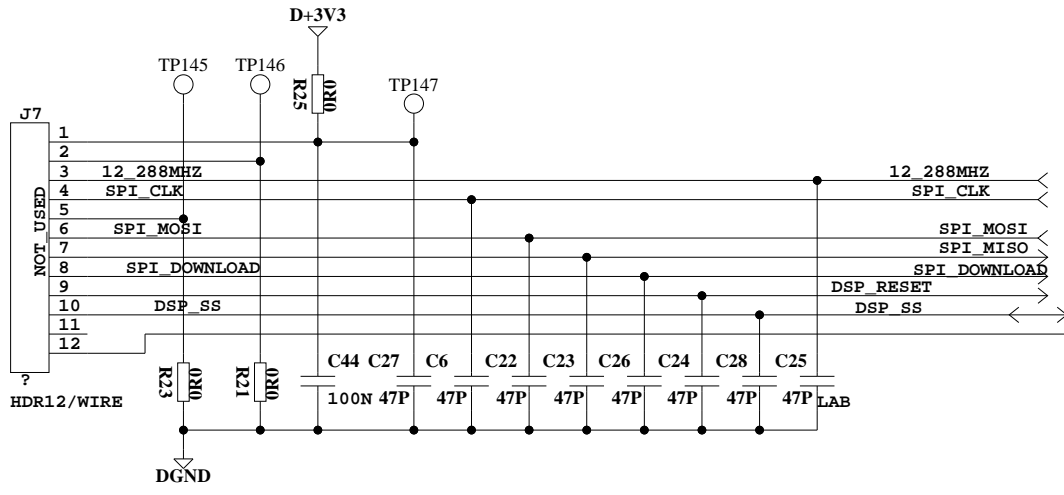
TC Electronic A/S		Designer DKH
Title HANS_V6	Module title MAINBOARD	
Number P22615_A	Revision AAF	Previous page XX
Date 7-3-2008 11:43	Filename DSP720	Page / of XX / XX



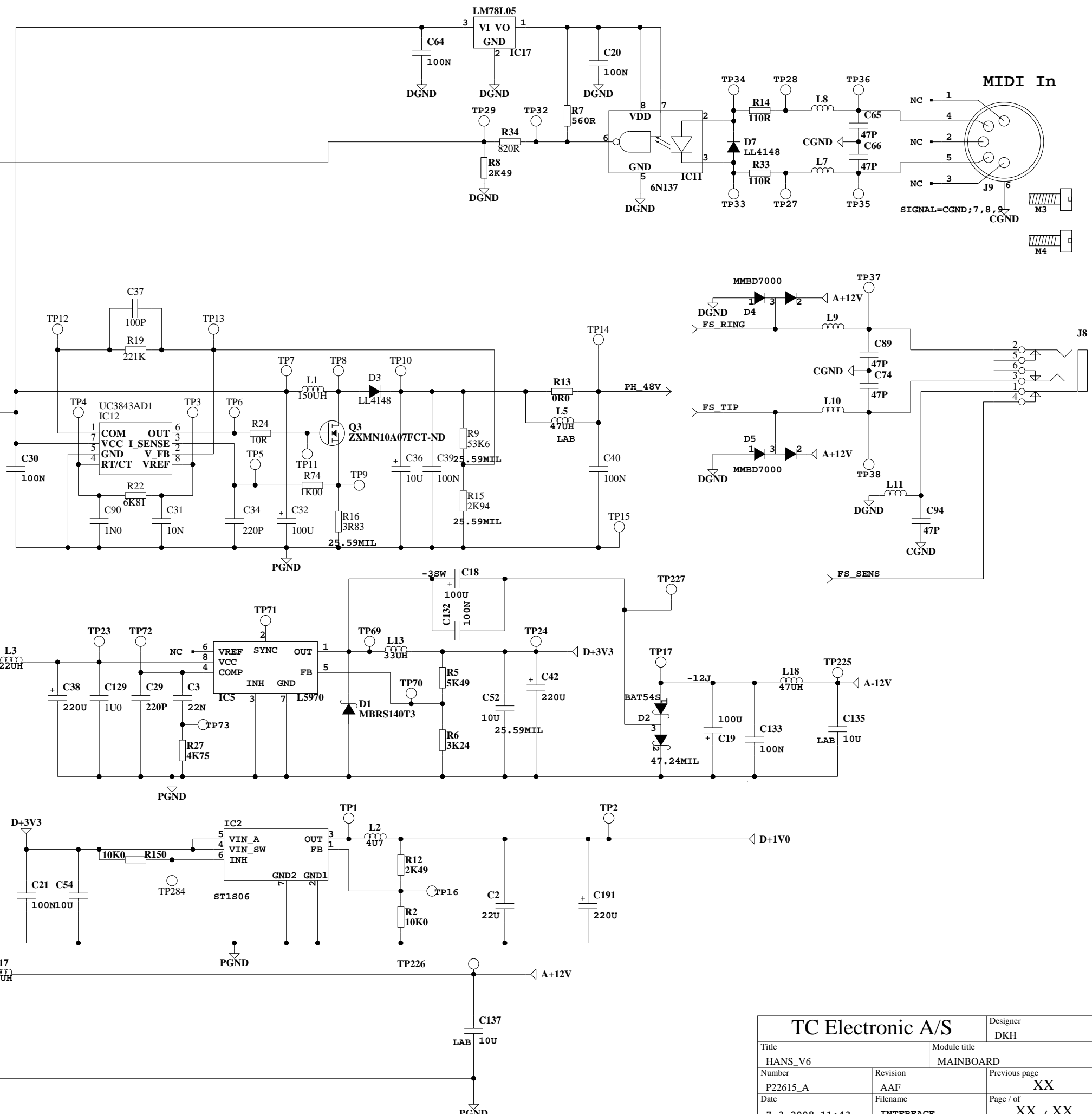
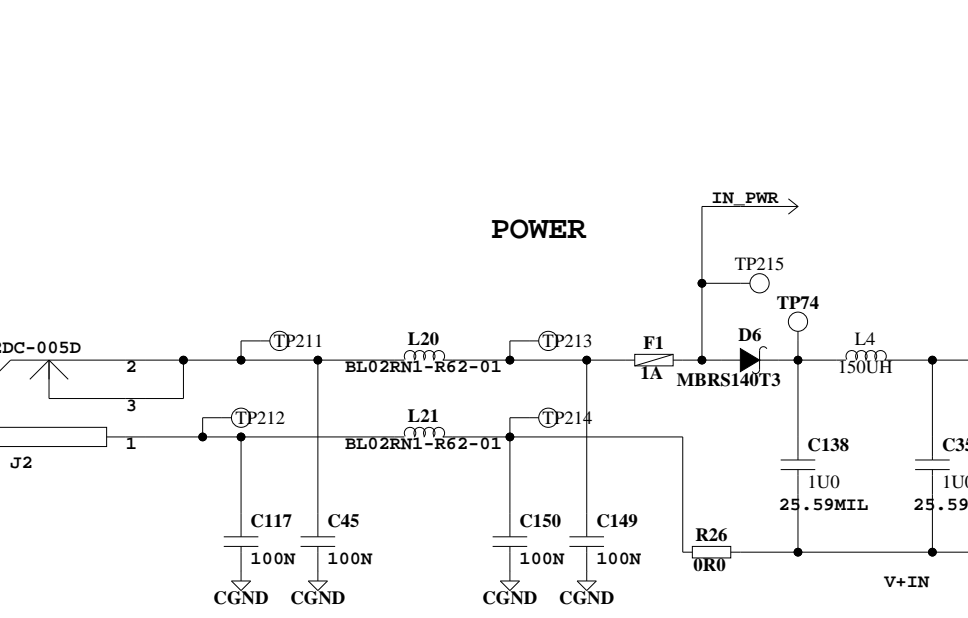
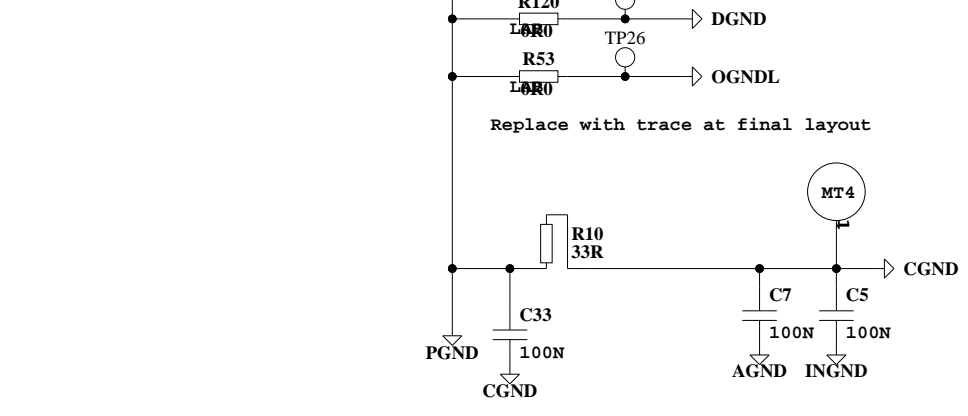
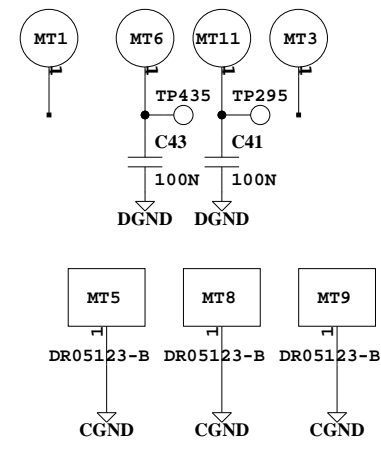
2012-1X4GS/3.0/6.5/19.0/SN
 MIC GAIN POT CONNECTOR

DECOUPLING FOR INPUT SECTION

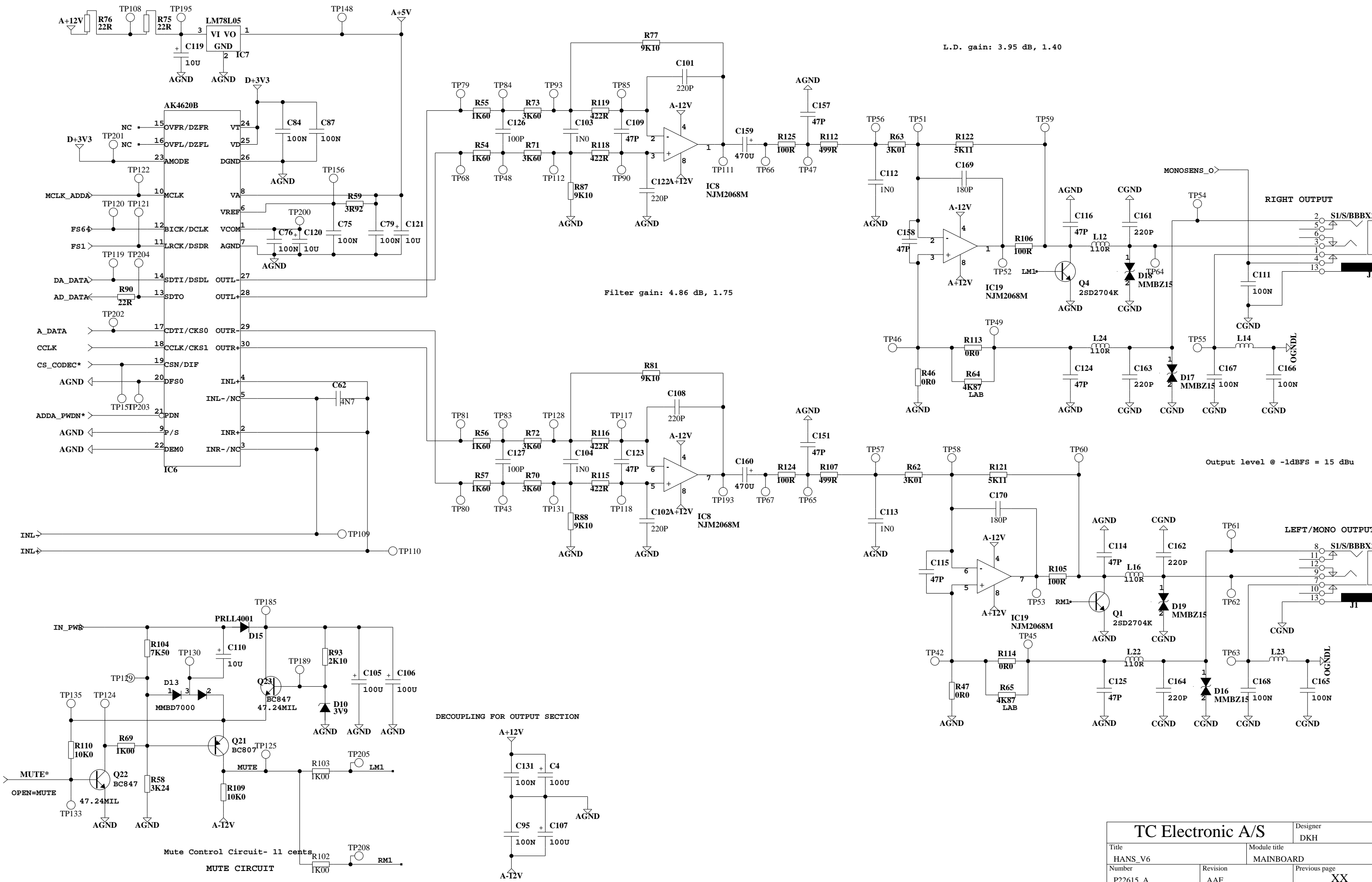
TC Electronic A/S		Designer DKH
Title HANS_V6		Module title MAINBOARD
Number P22615_A	Revision AAF	Previous page XX
Date 7-3-2008 11:43	Filename MIC_INPUT	Page / of 1/1



UI Connector



TC Electronic A/S		Designer DKH
Title HANS_V6	Module title MAINBOARD	
Number P22615_A	Revision AAF	Previous page XX
Date 7-3-2008 11:43	Filename INTERFACE	Page / of XX / XX



TC Electronic A/S		Designer DKH
Title HANS_V6	Module title MAINBOARD	
Number P22615_A	Revision AAF	Previous page XX
Date 7-3-2008 11:43	Filename ANALOG_OUT_V	Page / of XX / XX