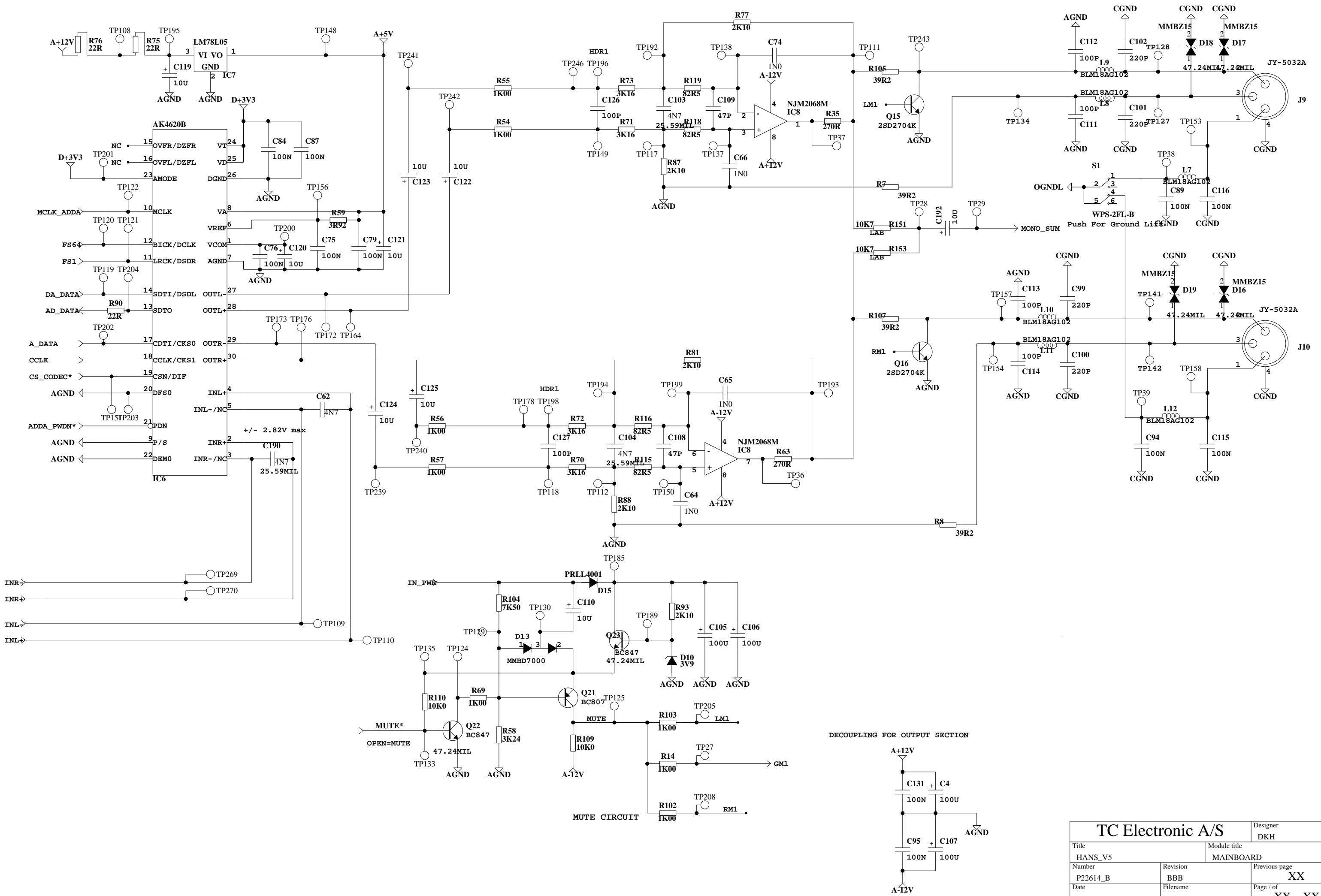
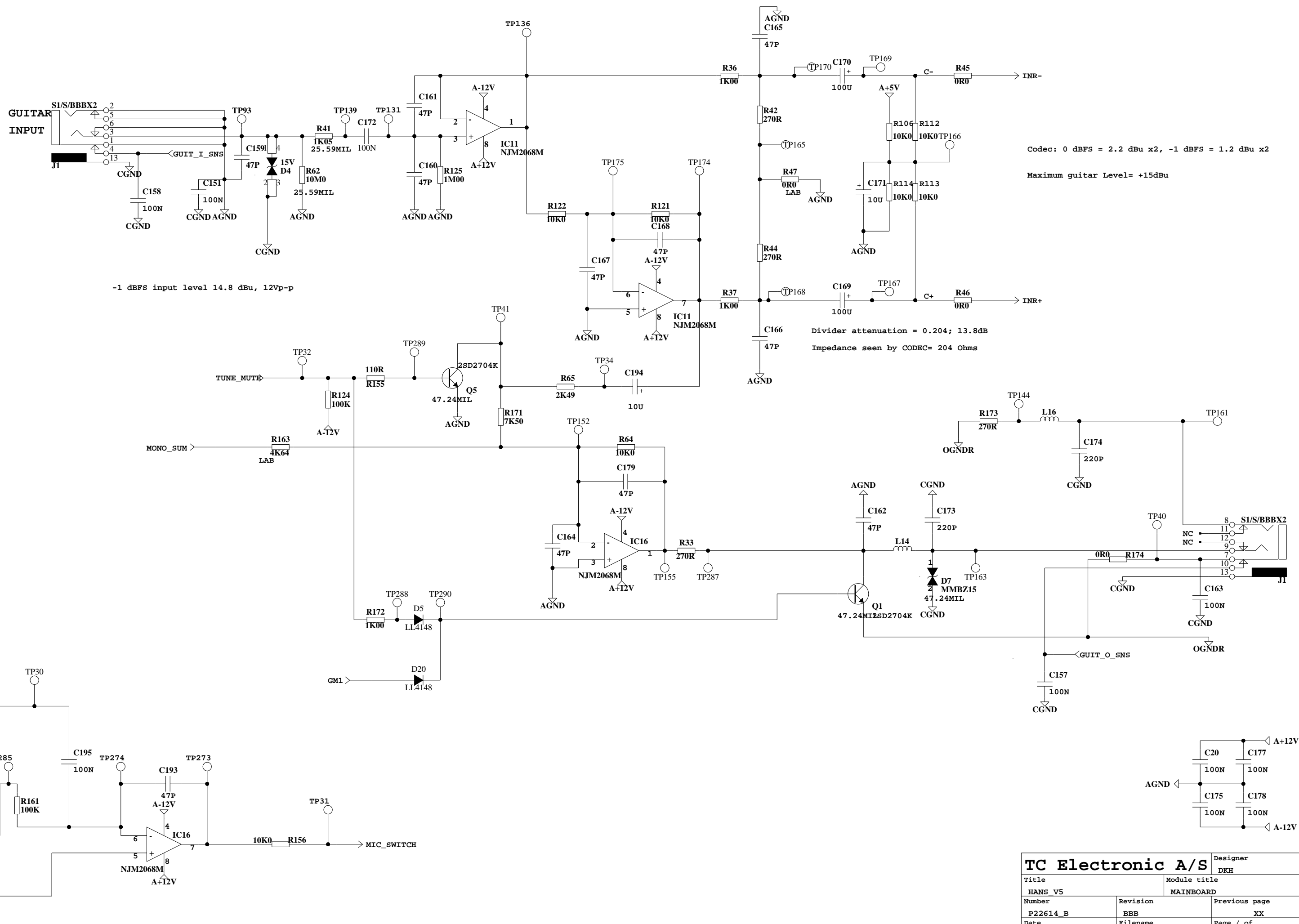


P22614-B
M1

Title		Designer	
HANS_V5		DKH	
Module title		Previous page	
MAINBOARD		XX	
Number	Revision	Page / of	
P22614_B	BBB	XX / XX	
Date	Filename		
4-7-2009_10:52	P22614-B		



TC Electronic A/S		Designer DKH
Title HANS_V5	Module title MAINBOARD	
Number P22614_B	Revision BBB	Previous page XX
Date 4-7-2009 10:52	Filename ANALOG_OUT_V	Page / of XX / XX

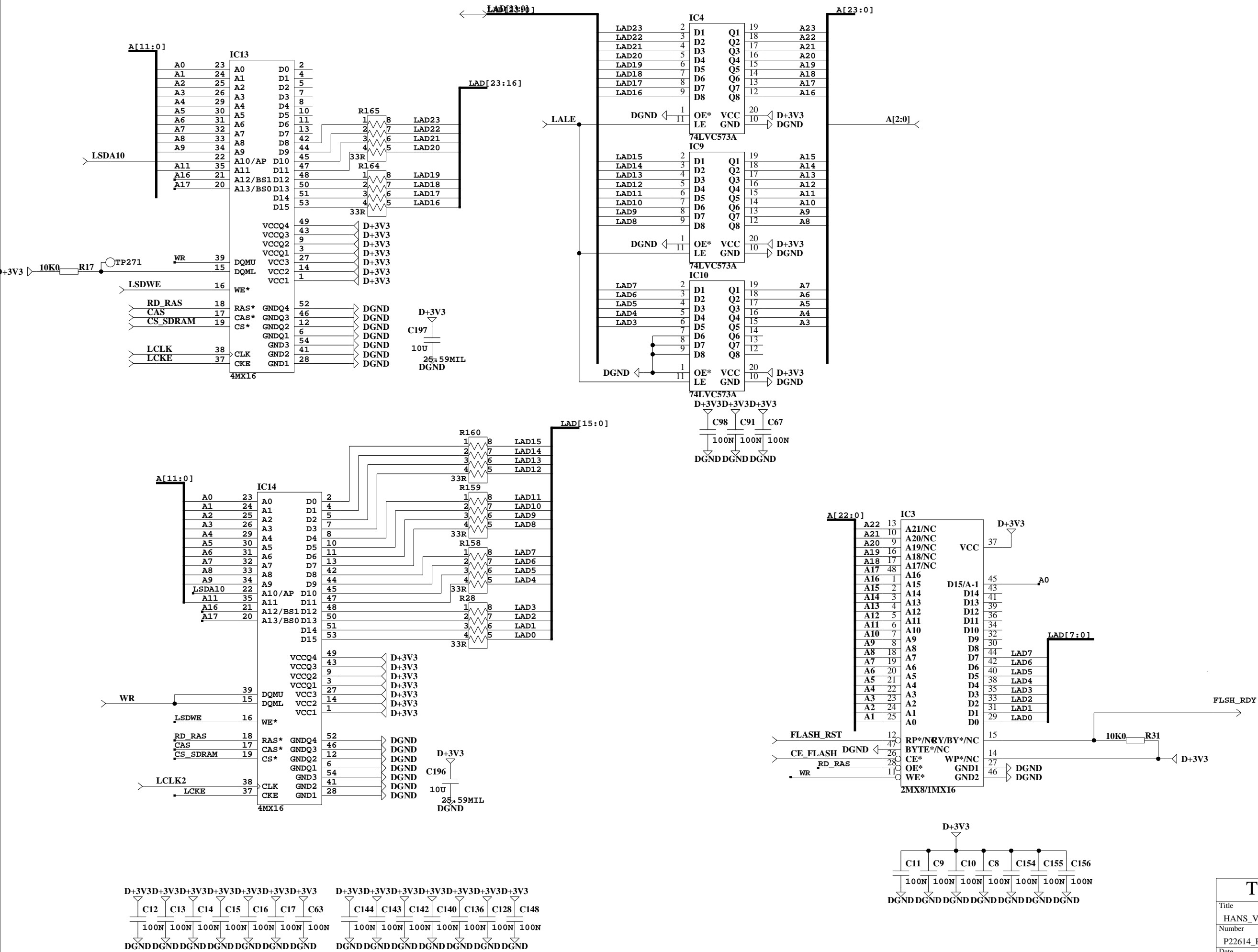


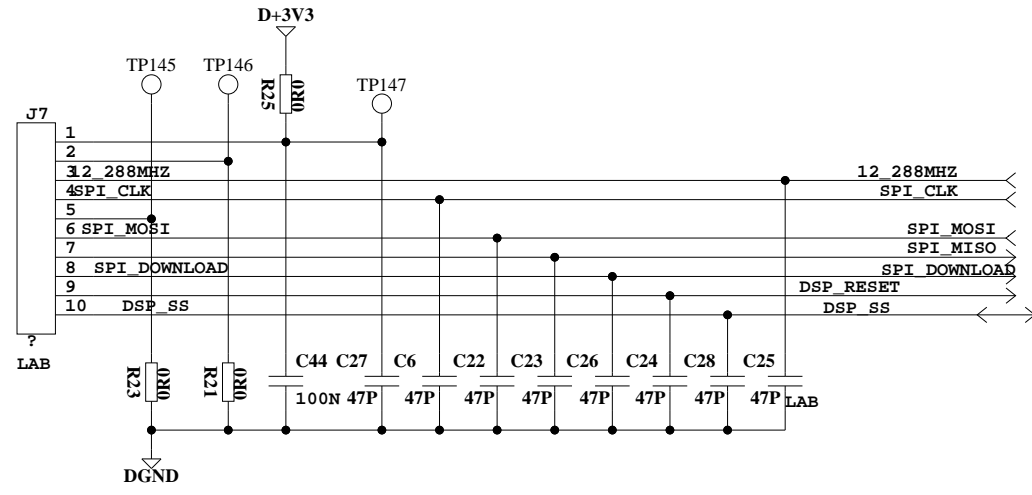
Codec: 0 dBFS = 2.2 dBu x2, -1 dBFS = 1.2 dBu x2
 Maximum guitar Level= +15dBu

-1 dBFS input level 14.8 dBu, 12Vp-p

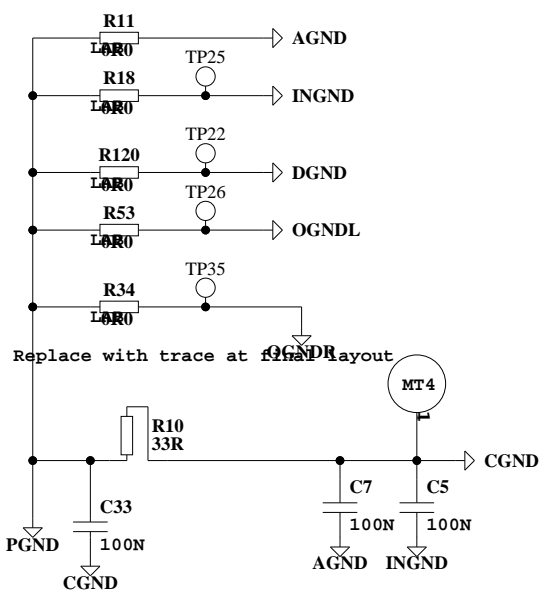
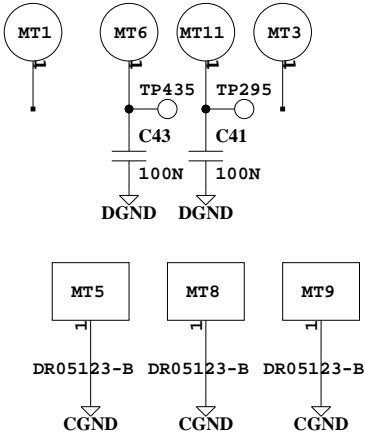
Divider attenuation = 0.204; 13.8dB
 Impedance seen by CODEC= 204 Ohms

TC Electronic A/S		Designer DKH
Title HANS_V5		Module title MAINBOARD
Number P22614_B	Revision BBB	Previous page XX
Date 4-7-2009 10:53	Filename GUITAR_INPUT	Page / of 1 / 1

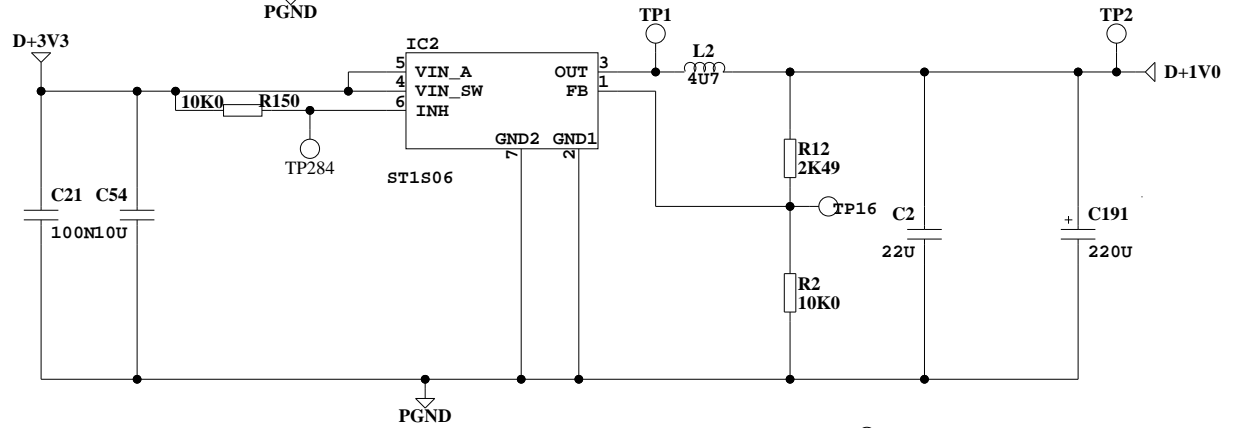
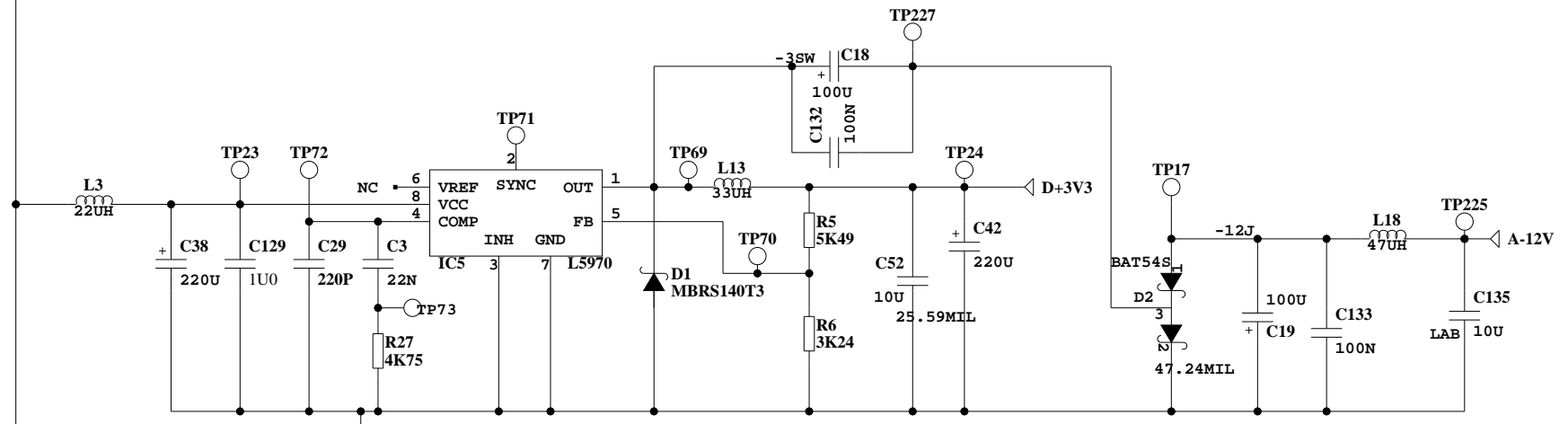
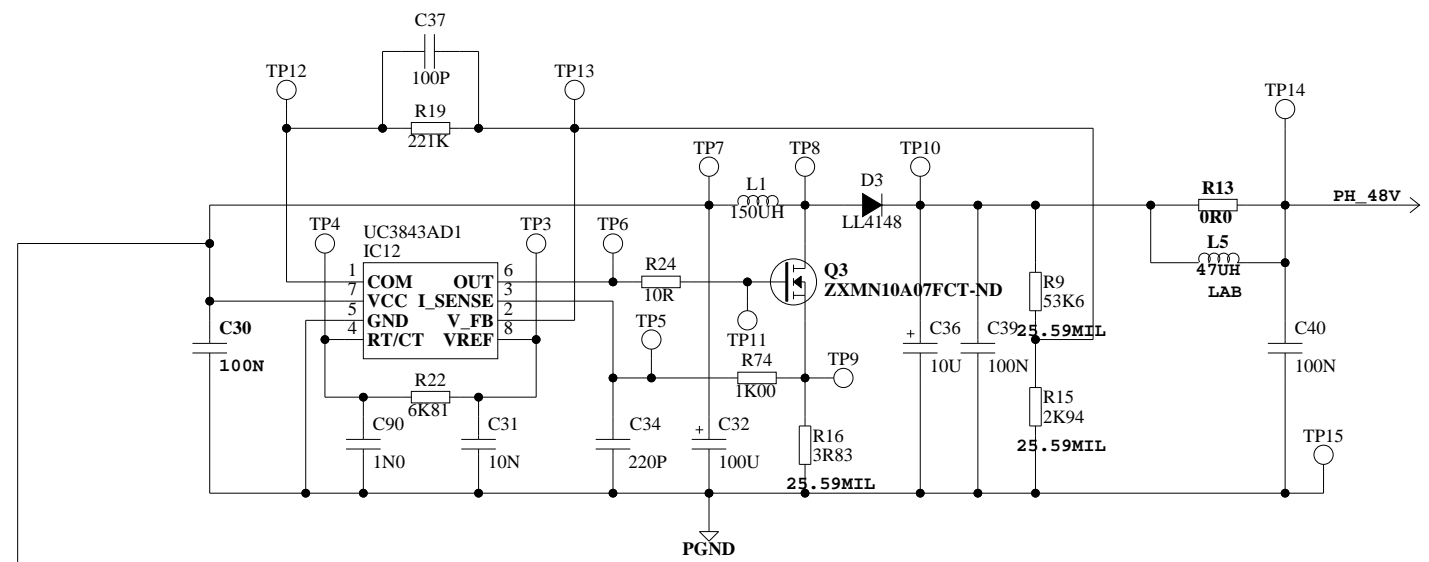
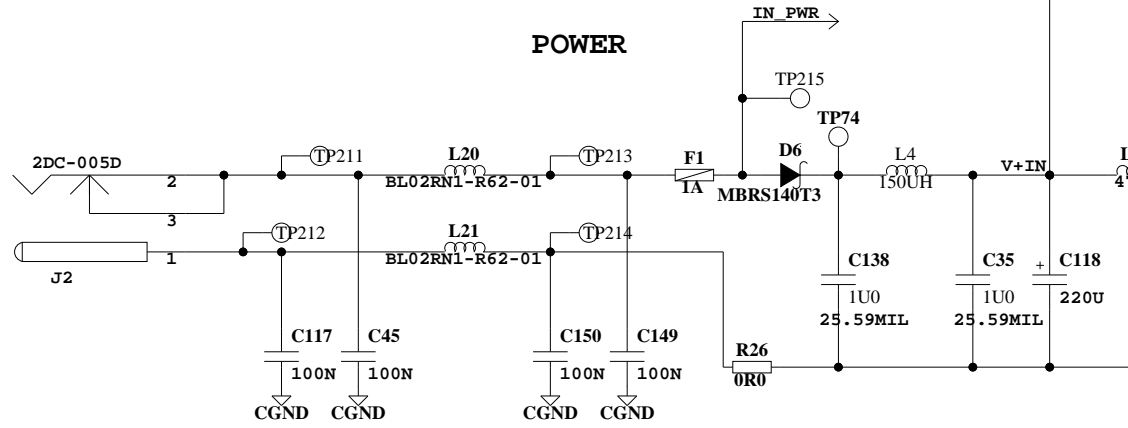




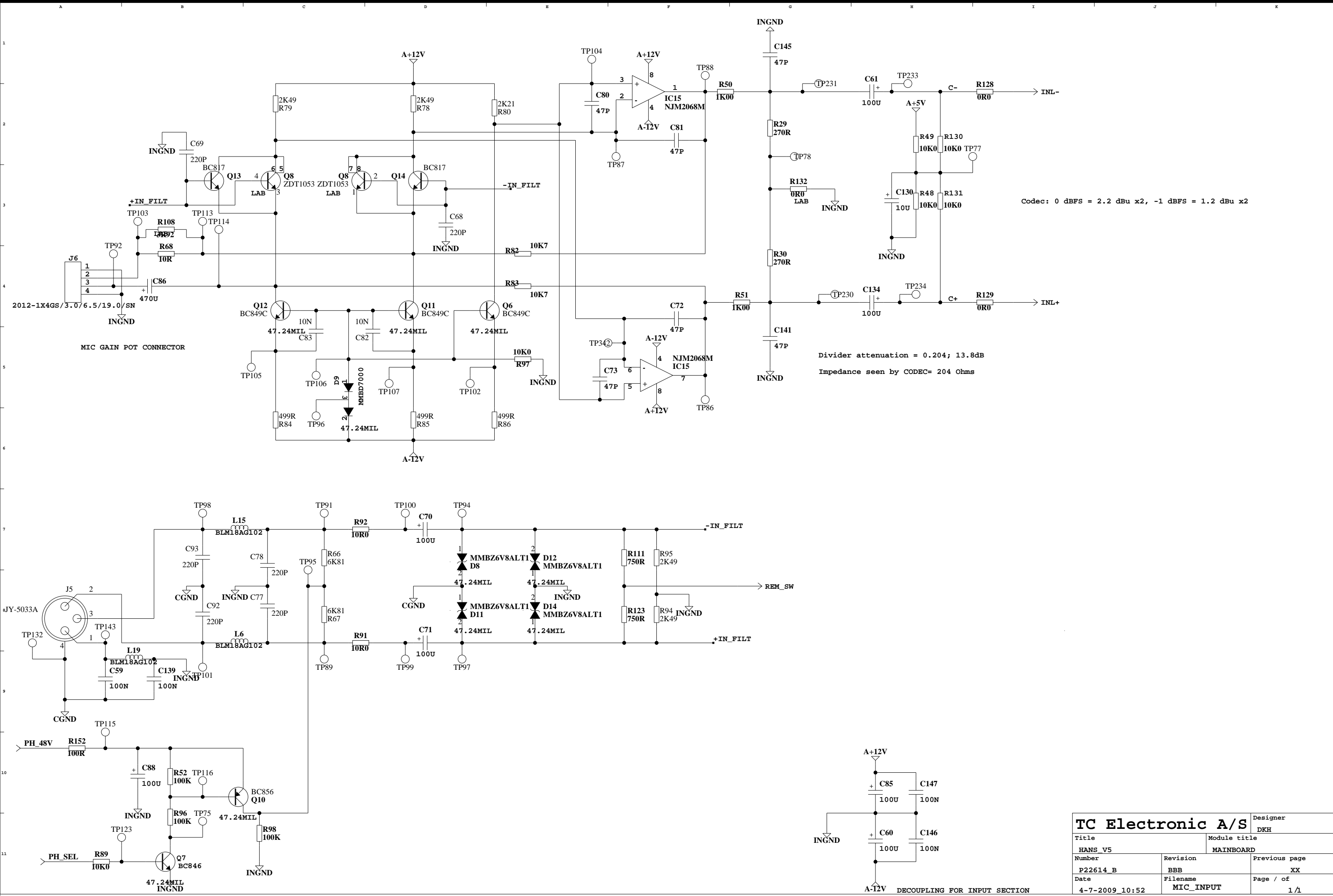
UI Connector



POWER

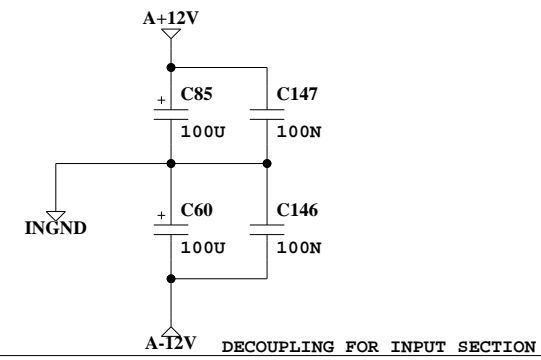


TC Electronic A/S		Designer DKH
Title HANS_V5	Module title MAINBOARD	
Number P22614_B	Revision BBB	Previous page XX
Date 4-7-2009_10:52	Filename INTERFACE	Page / of XX / XX



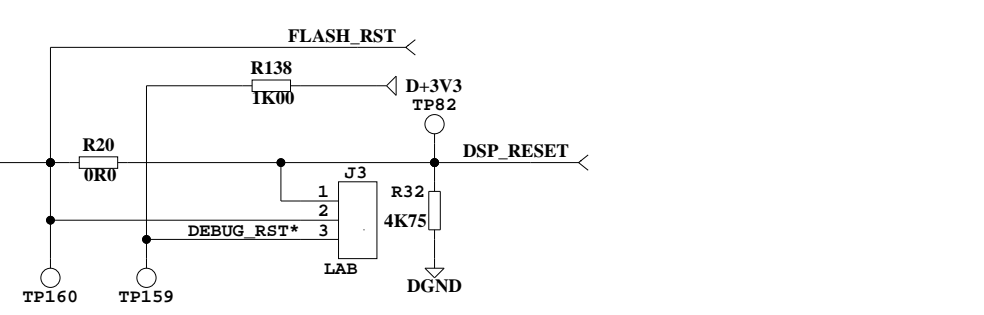
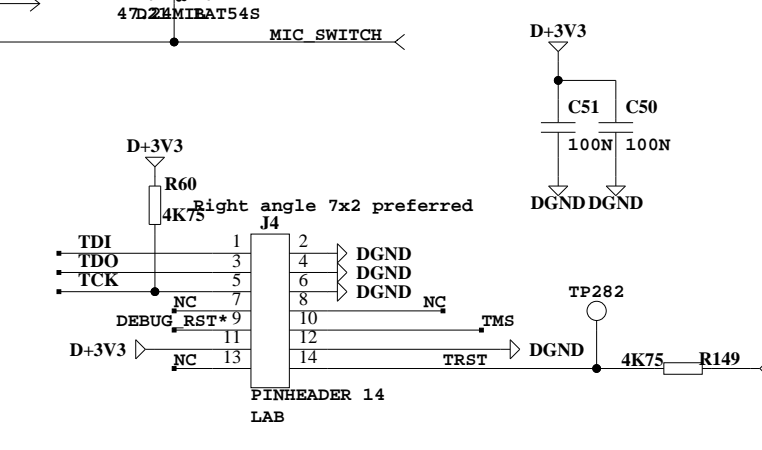
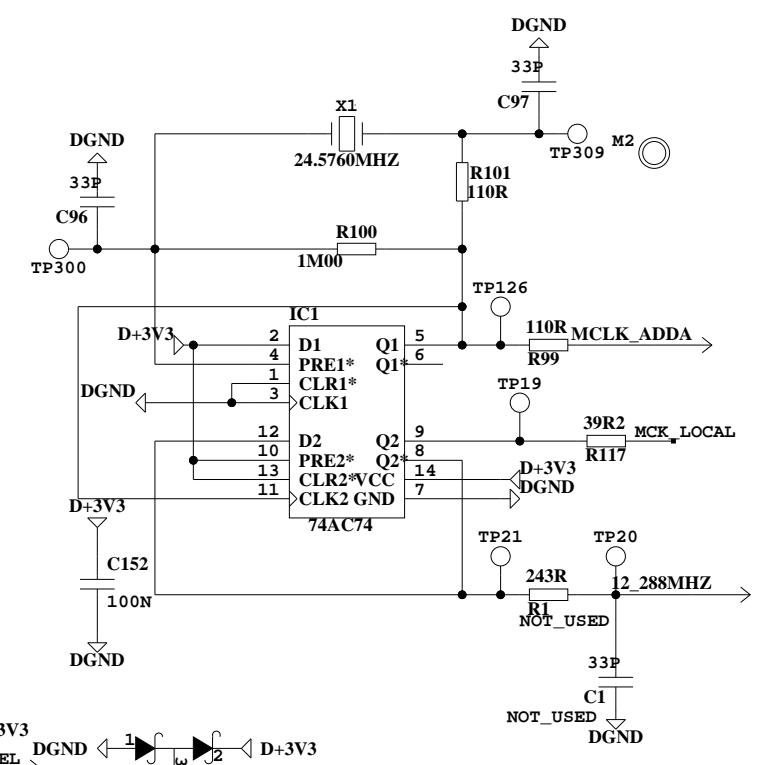
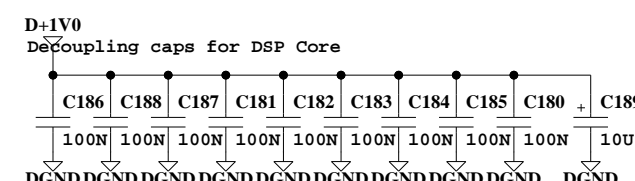
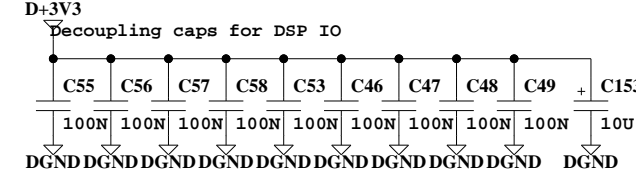
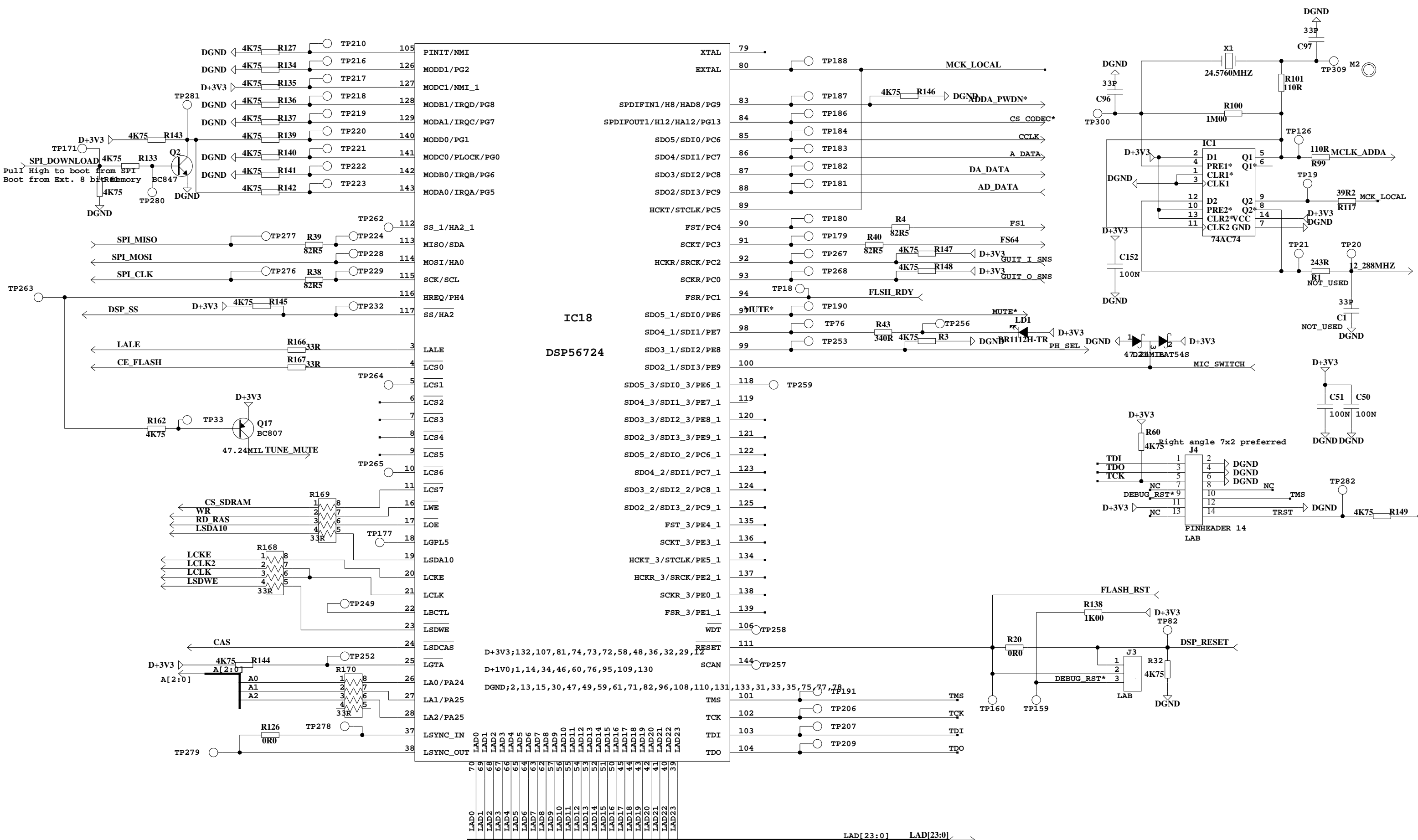
Codec: 0 dBFS = 2.2 dBu x2, -1 dBFS = 1.2 dBu x2

Divider attenuation = 0.204; 13.8dB
Impedance seen by CODEC= 204 Ohms



DECOUPLING FOR INPUT SECTION

TC Electronic A/S		Designer DKH
Title HANS_V5		Module title MAINBOARD
Number P22614_B	Revision BBB	Previous page XX
Date 4-7-2009_10:52	Filename MIC_INPUT	Page / of 1/1



TC Electronic A/S		Designer
HANS_V5		DKH
Module title	MAINBOARD	
Number	Revision	Previous page
P22614_B	BBB	XX
Date	Filename	Page / of
4-7-2009 11:12	DSP720	XX / XX