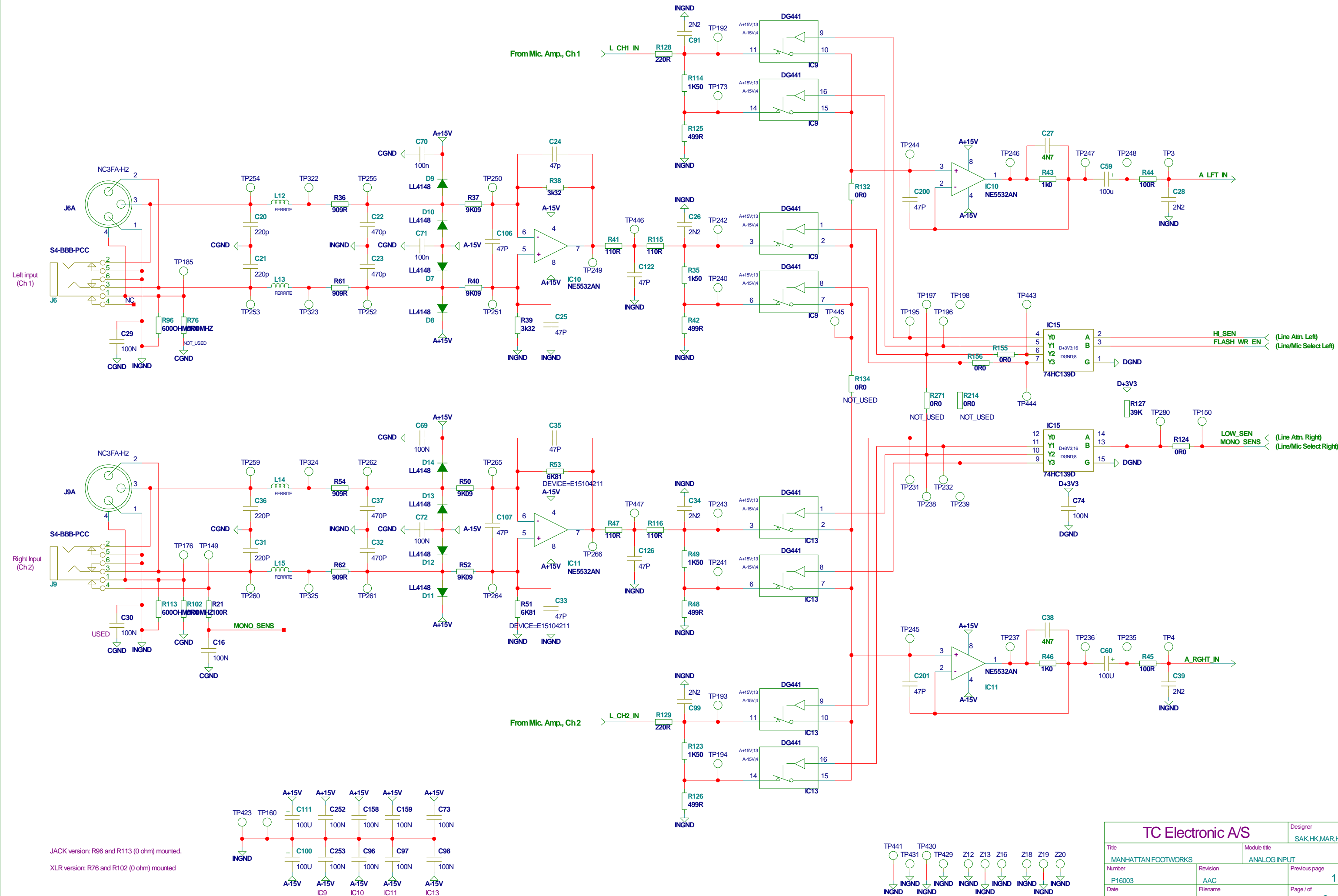


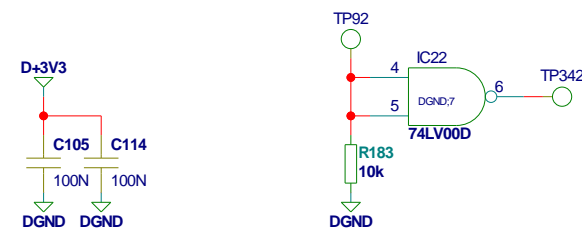
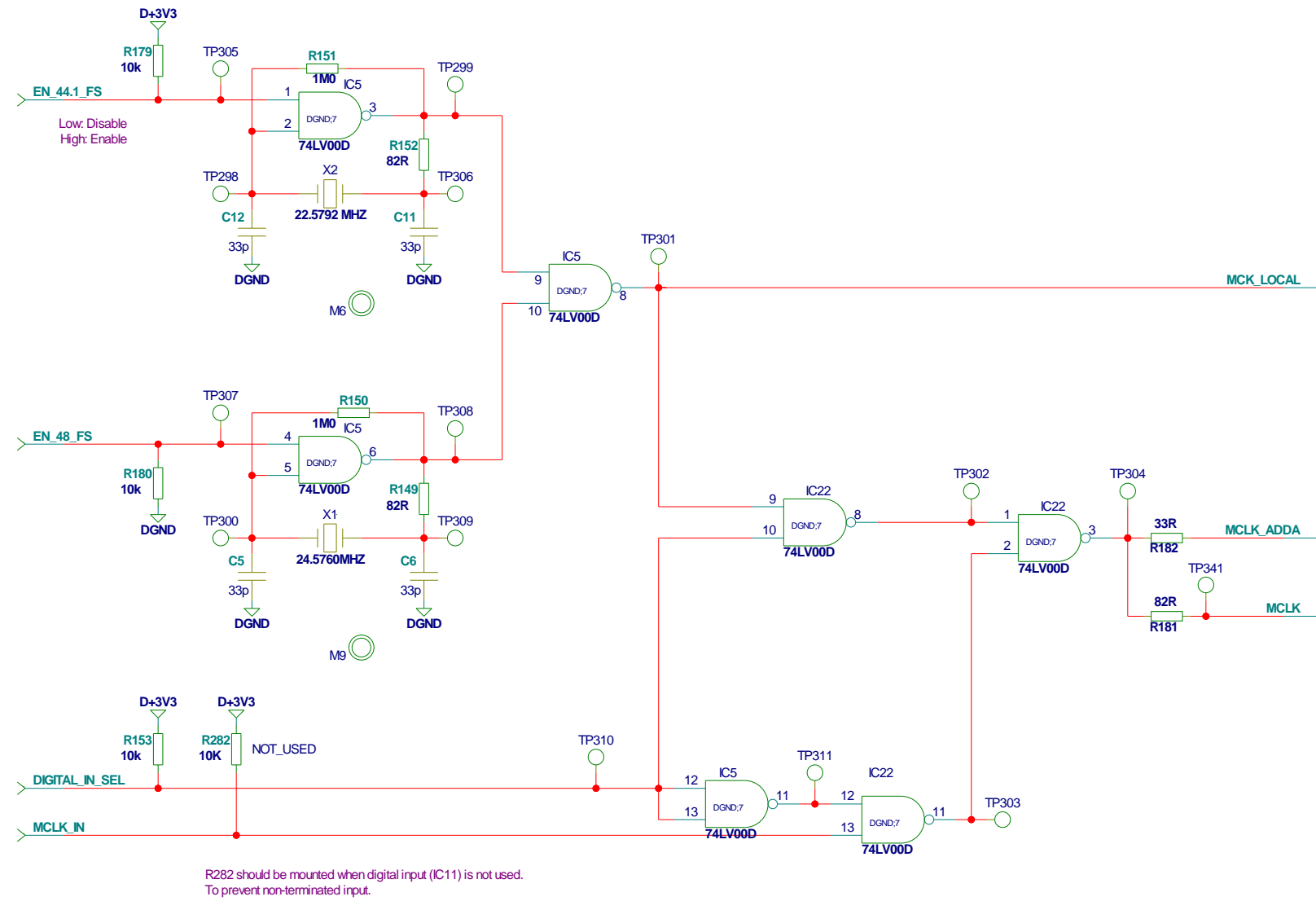
PCB FOOTWORKS MAINBOARD
 P16003-A
 M10

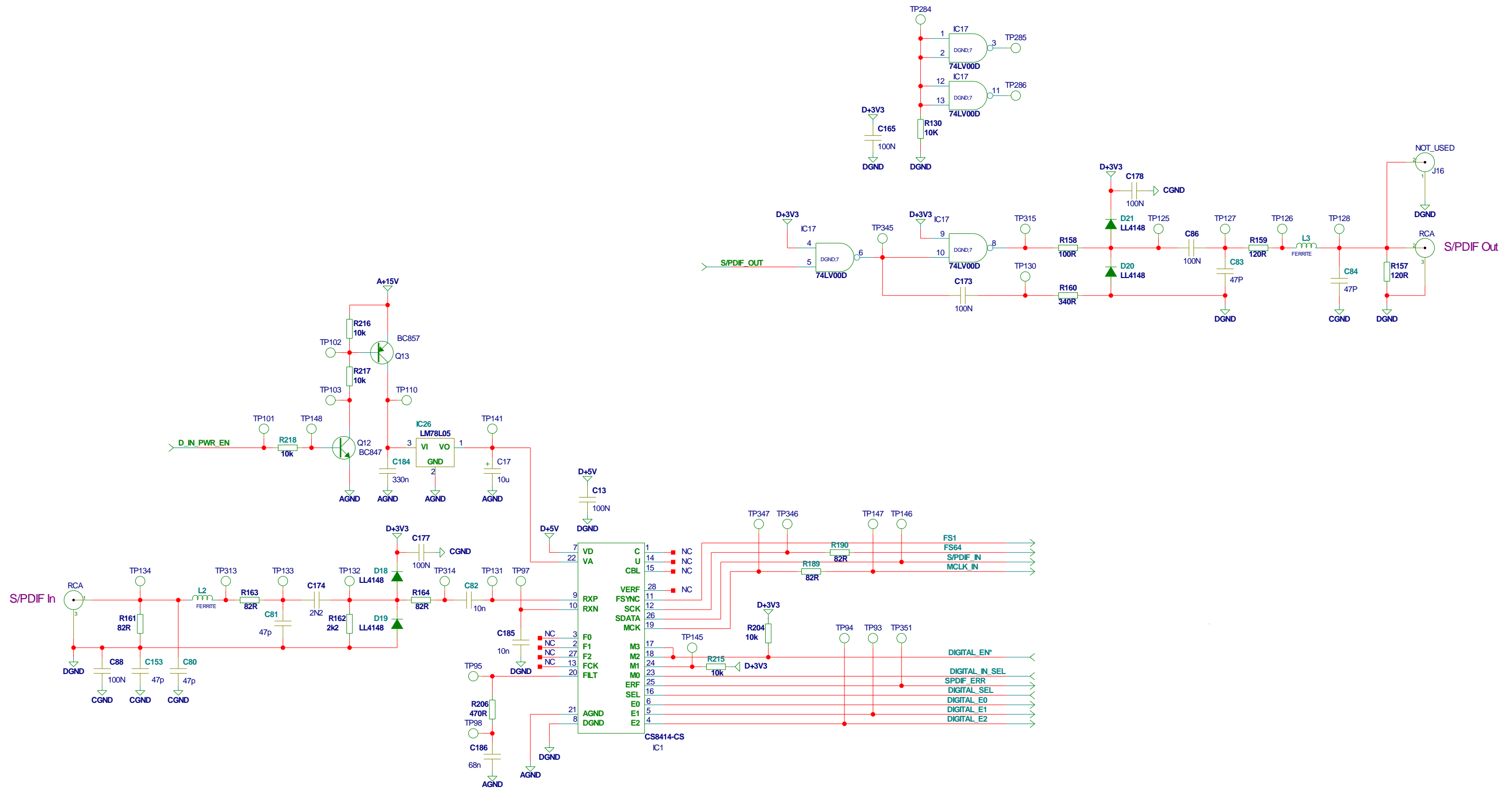
TC Electronic A/S		Designer MAR.SAK.HJE
Title MANHATTAN FOOTWORKS		Module title BLOCK LEVEL SCHEMATIC
Number P16003	Revision AAC	Previous page XX
Date 1-29-2004_17:30	Filename P16003-AAC	Page / of 1 / 11

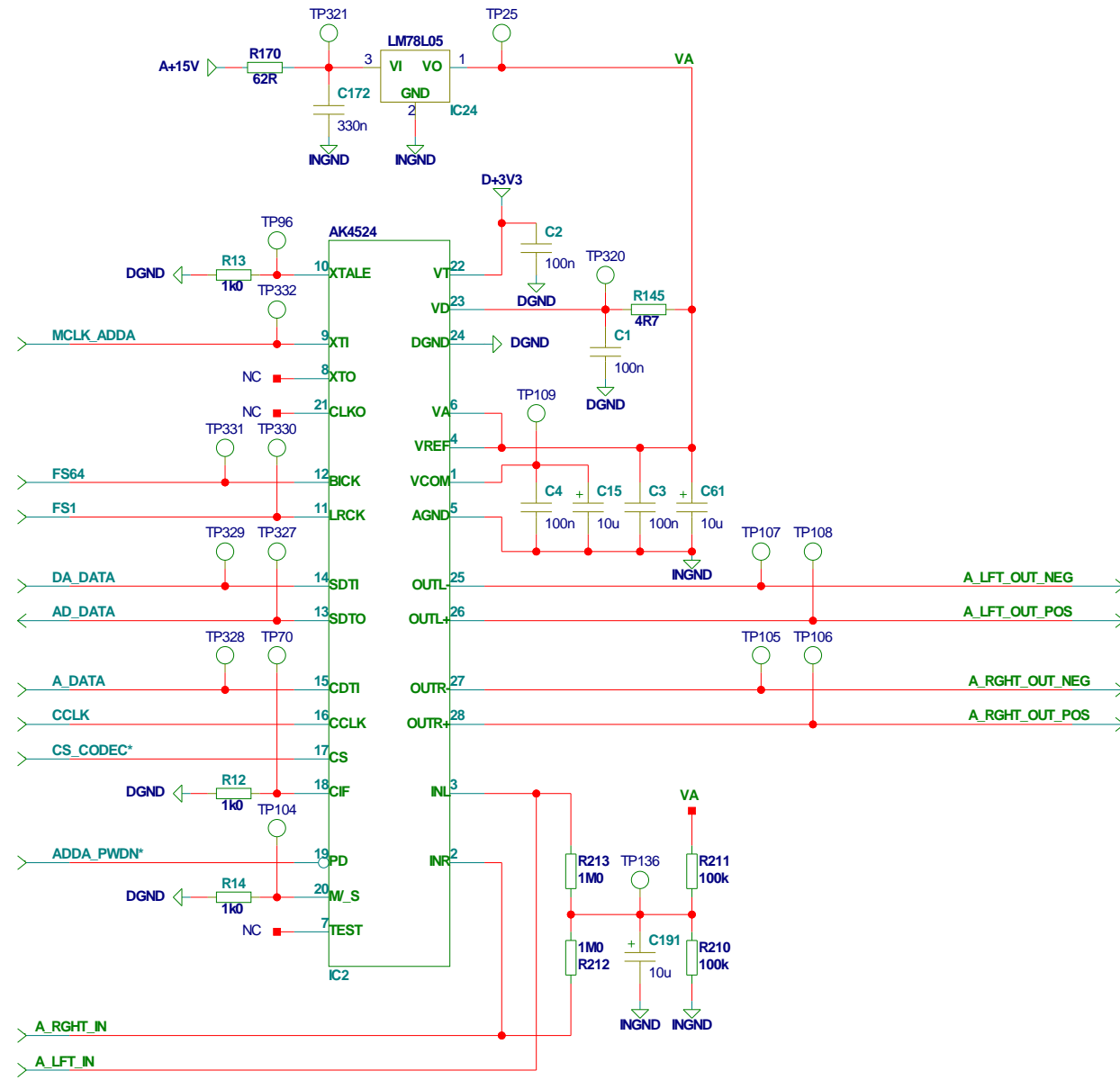


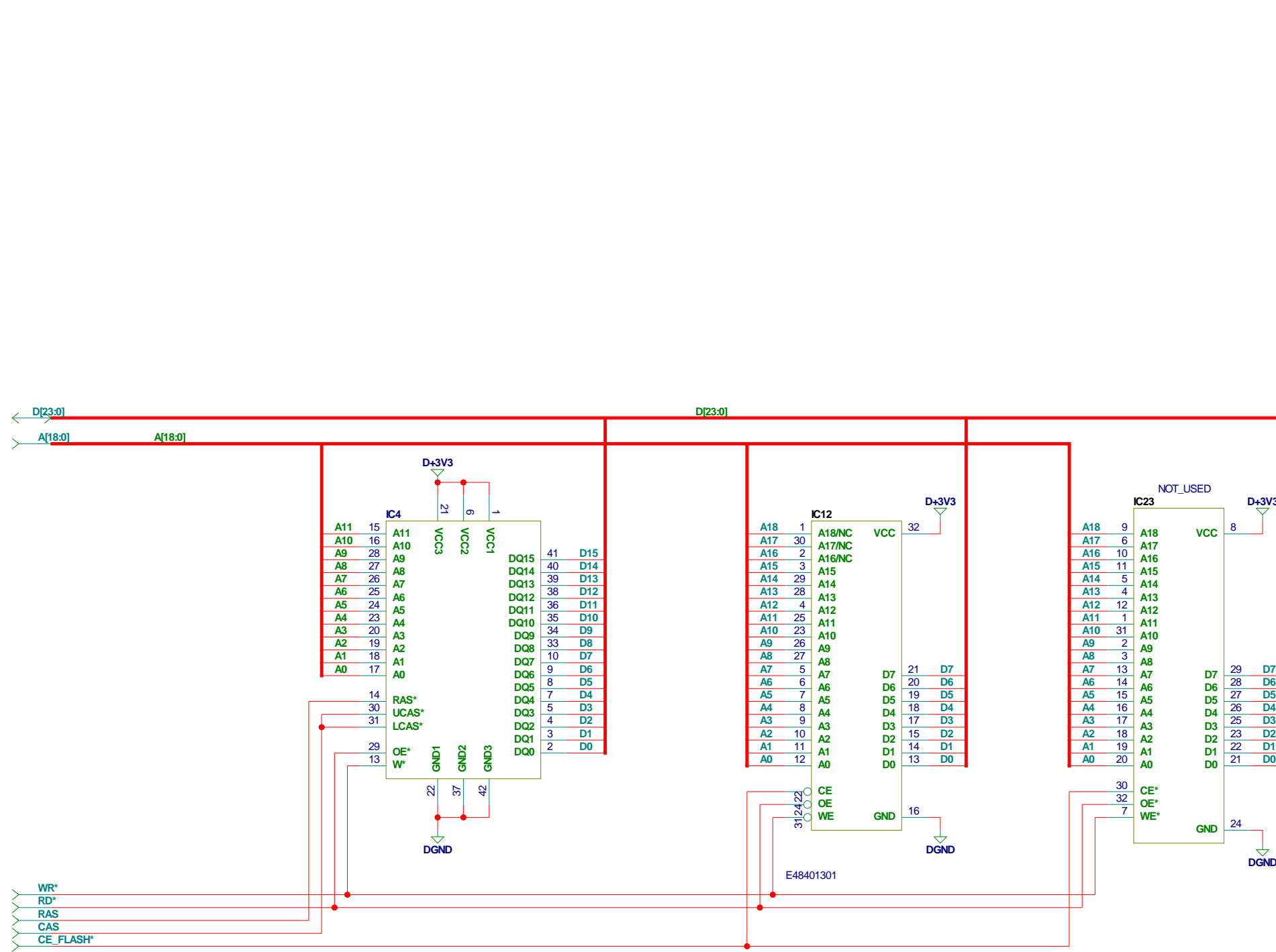
JACK version: R96 and R113 (0 ohm) mounted.
 XLR version: R76 and R102 (0 ohm) mounted

TC Electronic A/S		Designer SAK,HK,MAR,HJE
Title MANHATTAN FOOTWORKS		Module title ANALOG INPUT
Number P16003	Revision AAC	Previous page 1
Date 1-29-2004_17:39	Filenam ANALOG_IN	Page / of 3 / 11



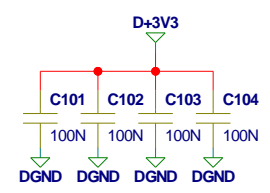






- A[17:0]
- A17 TP282
 - A16 TP60
 - A15 TP59
 - A14 TP57
 - A13 TP58
 - A12 TP53
 - A11 TP54
 - A10 TP55
 - A9 TP56
 - A8 TP46
 - A7 TP47
 - A6 TP49
 - A5 TP48
 - A4 TP52
 - A3 TP51
 - A2 TP50
 - A1 TP61
 - A0 TP45

- D[23:0]
- D23 TP28
 - D22 TP29
 - D21 TP30
 - D20 TP31
 - D19 TP32
 - D18 TP33
 - D17 TP34
 - D16 TP35
 - D15 TP36
 - D14 TP37
 - D13 TP39
 - D12 TP38
 - D11 TP43
 - D10 TP42
 - D9 TP41
 - D8 TP40
 - D7 TP44
 - D6 TP68
 - D5 TP67
 - D4 TP65
 - D3 TP66
 - D2 TP62
 - D1 TP63
 - D0 TP64

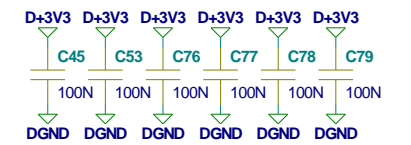
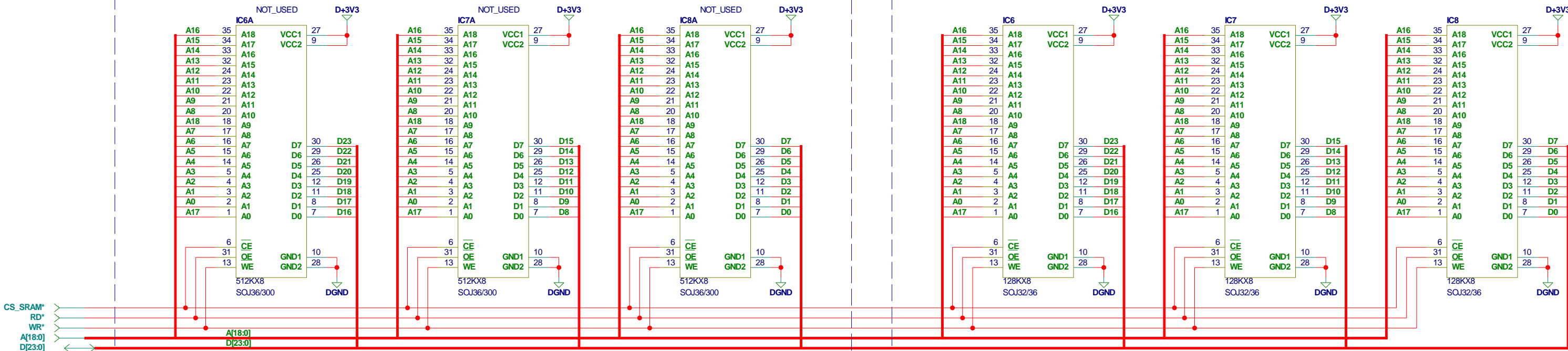


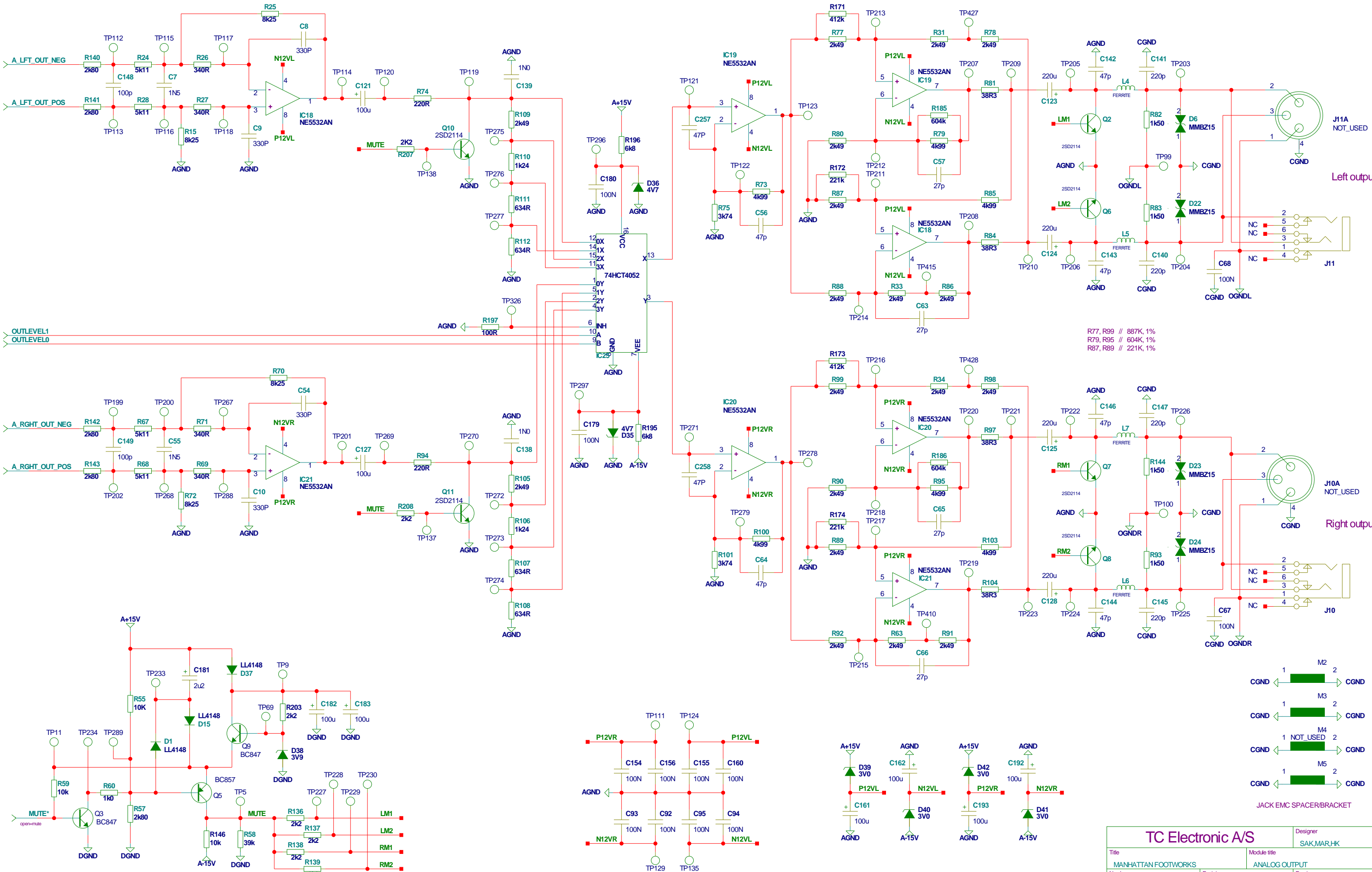
J12

Note: Only one of the Flash types are mounted

SOJ36/300 mil - 128k/512k

SOJ36/400 mil - 128k/512k



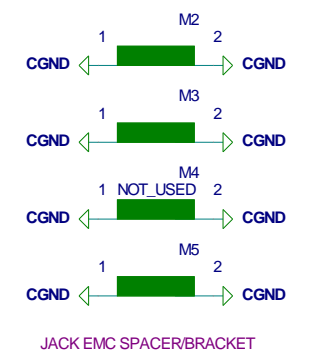


R77, R99 // 887K, 1%
 R79, R95 // 604K, 1%
 R87, R89 // 221K, 1%

Mute circuit

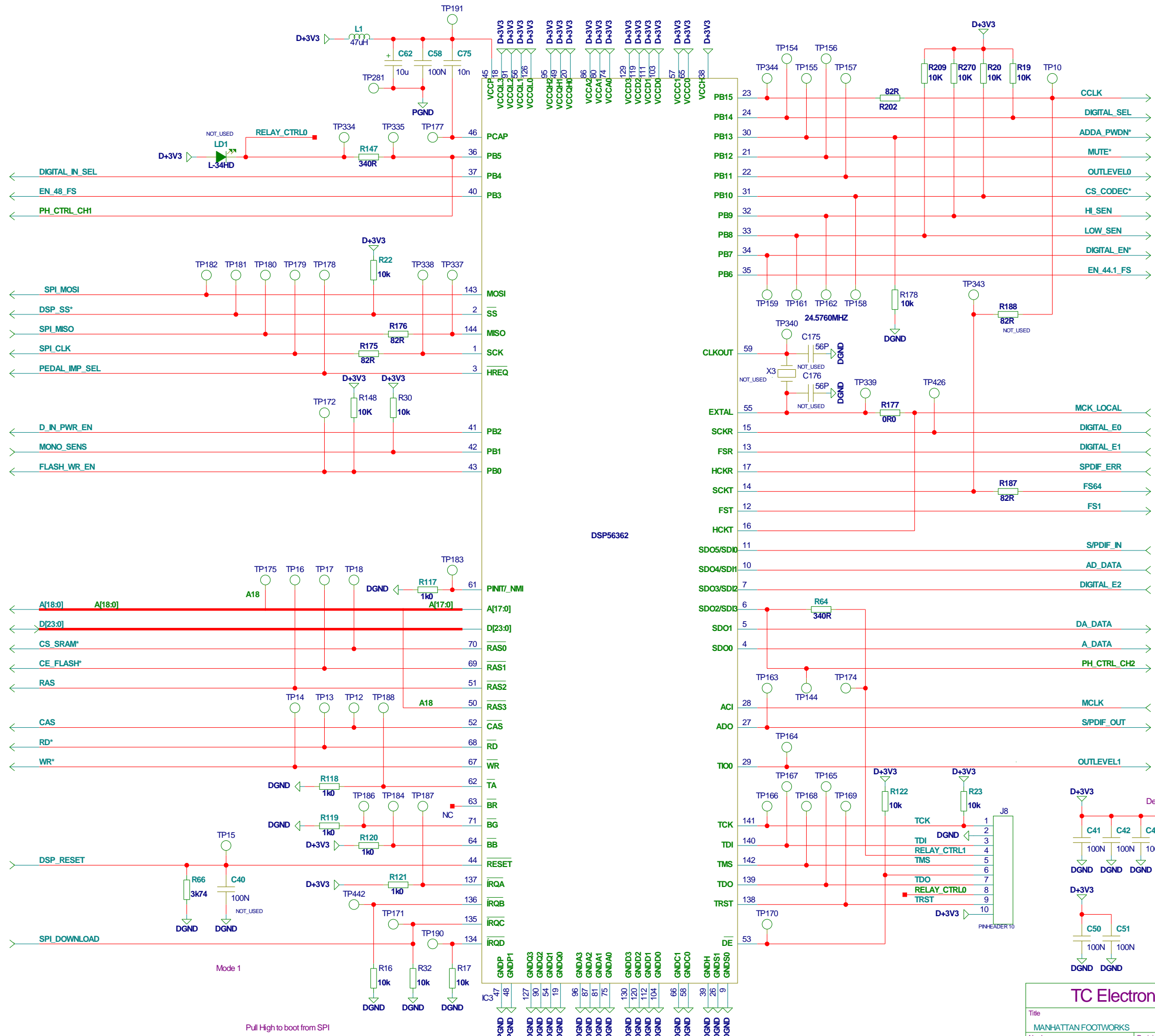
Decoupling for Analog

Power for output stage amplifiers

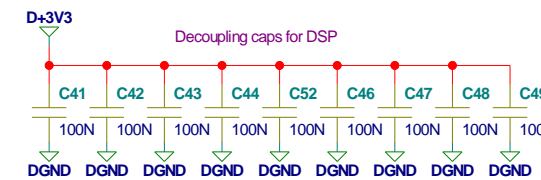


JACK EMC SPACER/BACKET

TC Electronic A/S		Designer SAK,MAR,HK
Title MANHATTAN FOOTWORKS	Module title ANALOG OUTPUT	Previous page 1
Number P16003	Revision AAC	Page / of 5 / 11
Date 1-29-2004_17:31	Filername ANALOG_OUT	

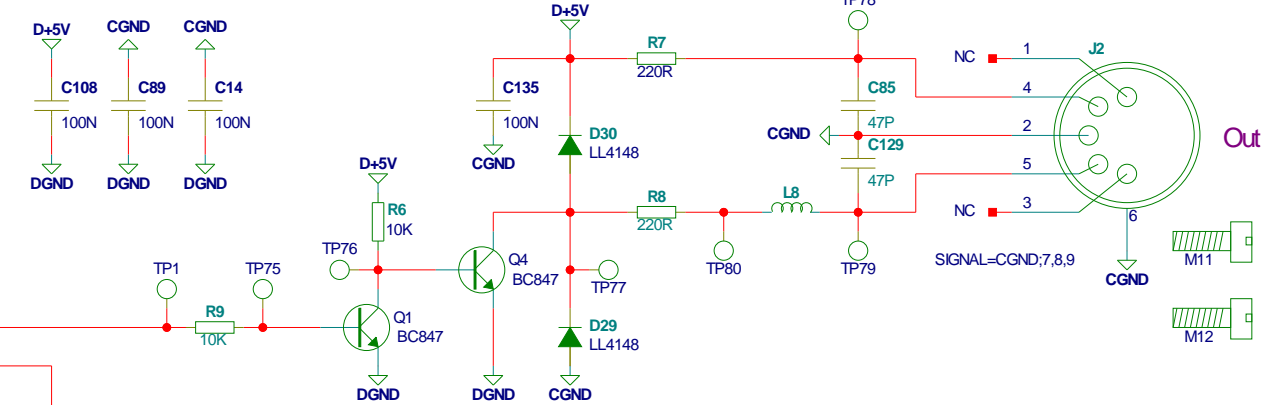
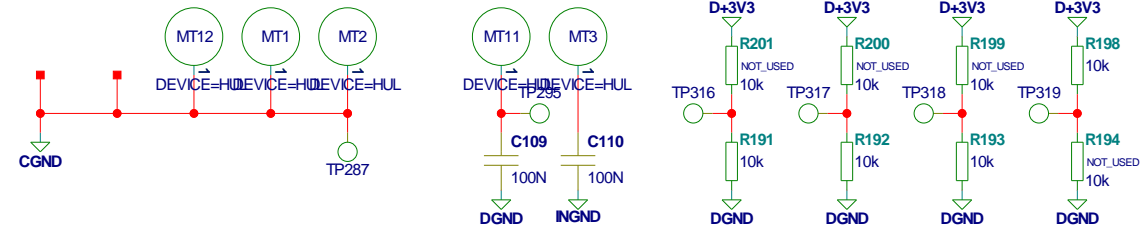


Mode 1
 Pull High to boot from SPI
 Boot from Ext. 8 bit memory

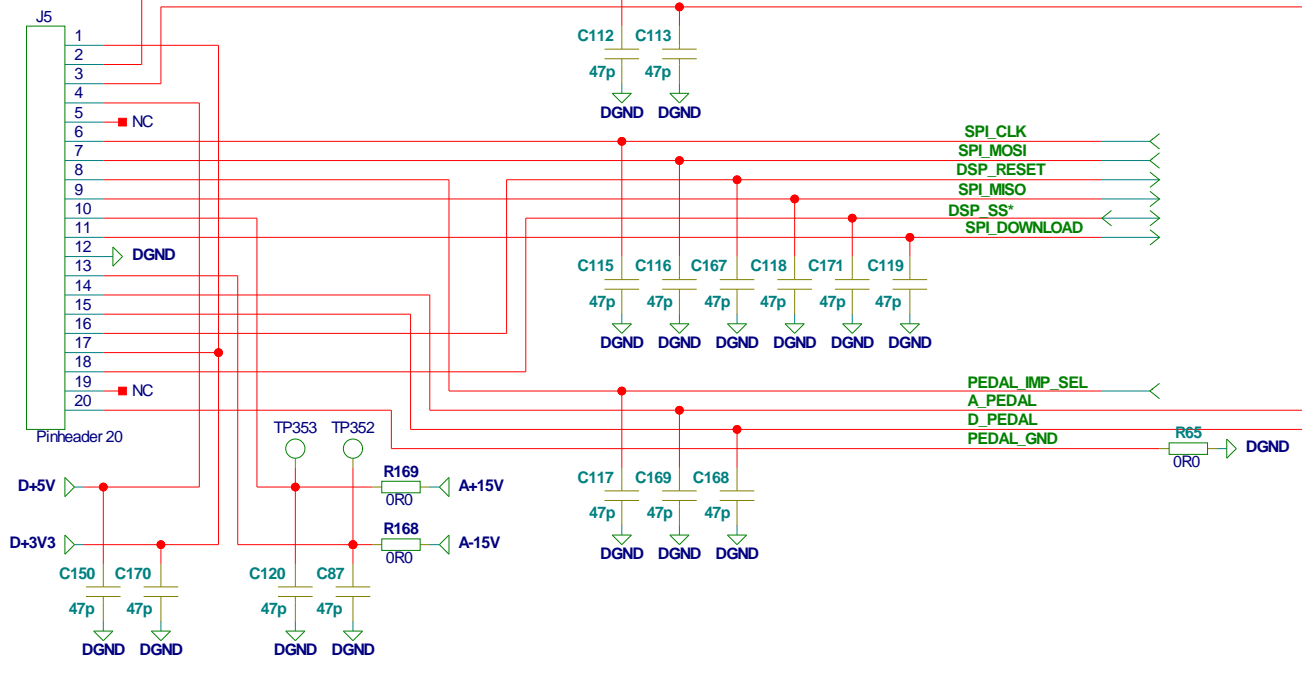


TC Electronic A/S		Designer MAR
Title MANHATTAN FOOTWORKS		Module title DSP
Number P16003	Revision AAC	Previous page 1
Date 1-29-2004_17:34	Filename DSP	Page / of 6 / 11

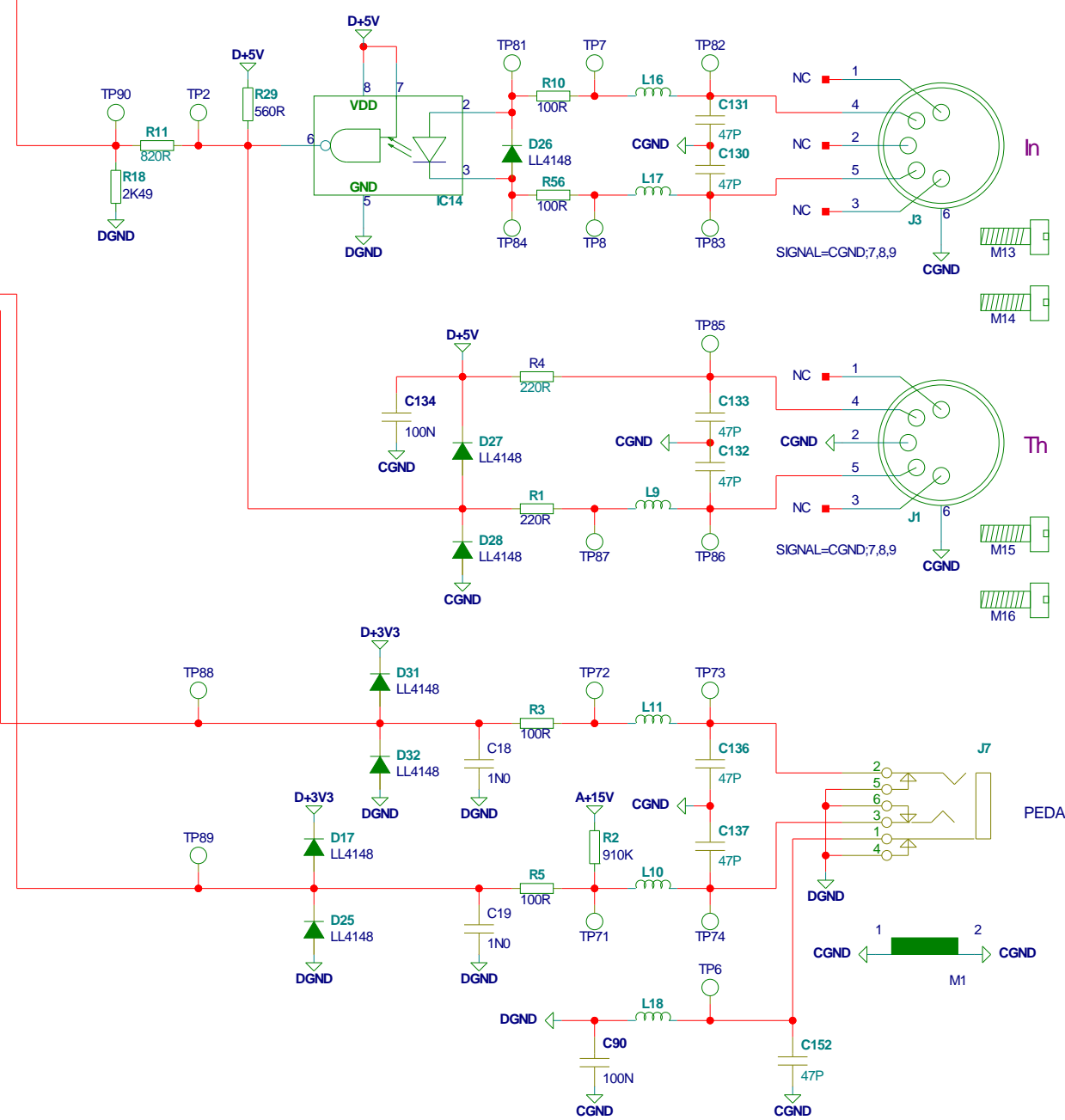
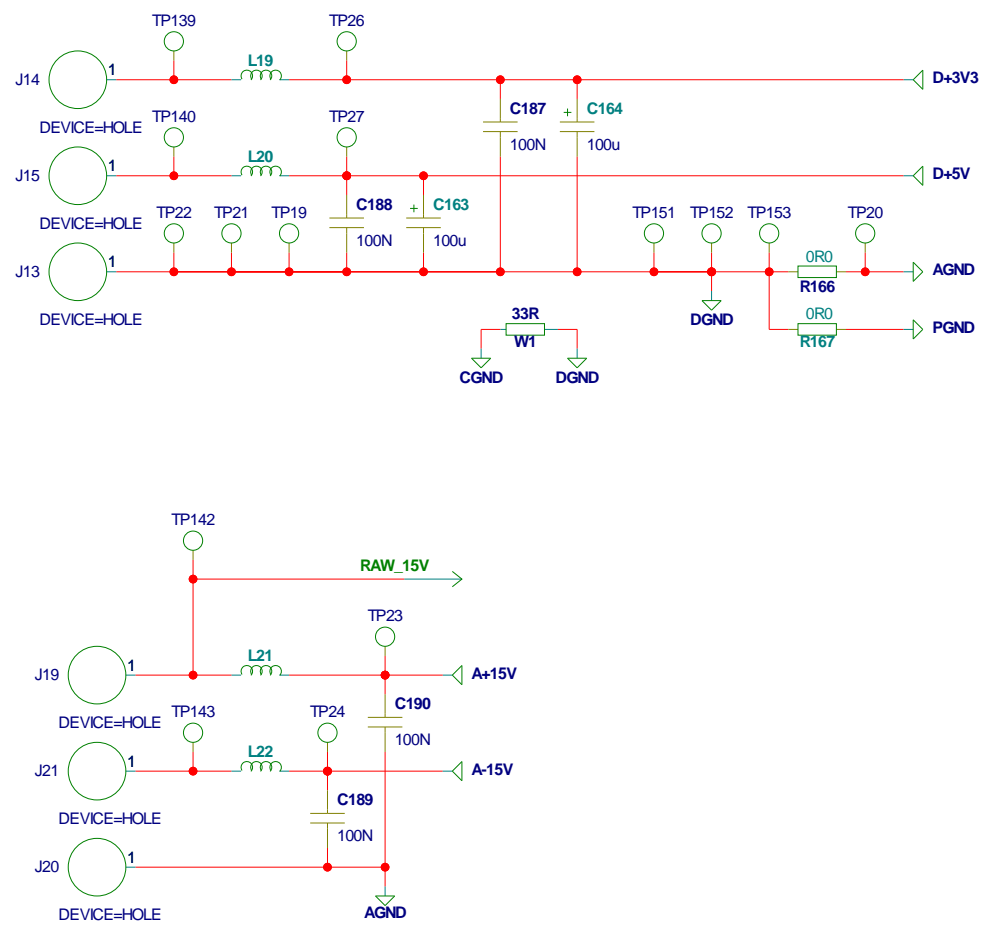
PCB Revision strap field.



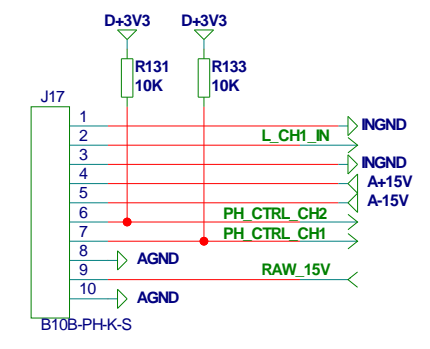
Front Conn.



Power Supply Connection



TC Electronic A/S		Designer SAK, MAR, HJE
Title MANHATTAN FOOTWORKS	Module title INTERFACE TO FRONT AND POWER	Previous page 1
Number P16003	Revision AAC	Page / of 11 / 11
Date 1-29-2004_17:31	Filename INTERFACE	



TC Electronic A/S		Designer
		HJE
Title	MANHATTAN FOOTWORKS	Module title
		MIC INPUT
Number	P16003	Revision
		AAC
Date	2-11-2004 11:57	Filename
		MIC_IN
		Previous page
		1
		Page / of
		2 / 11