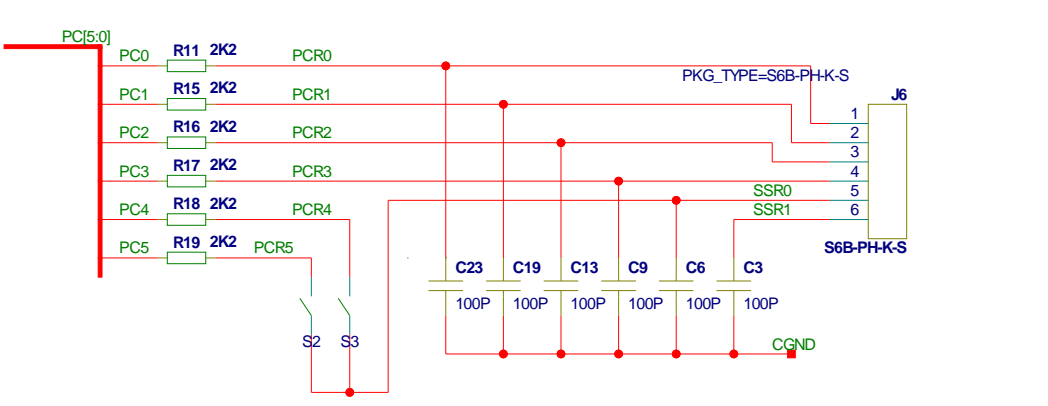
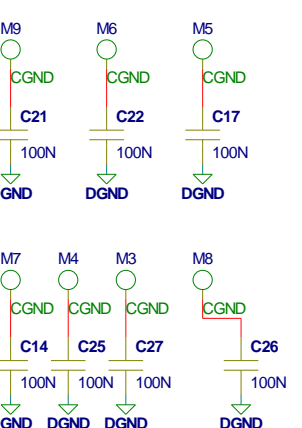
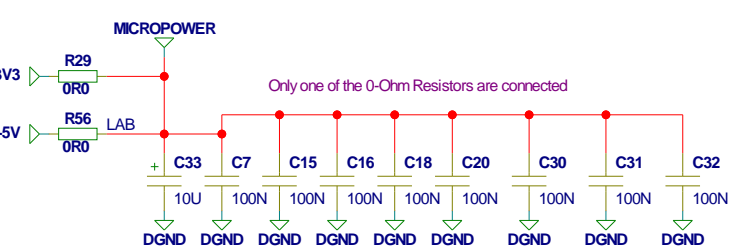
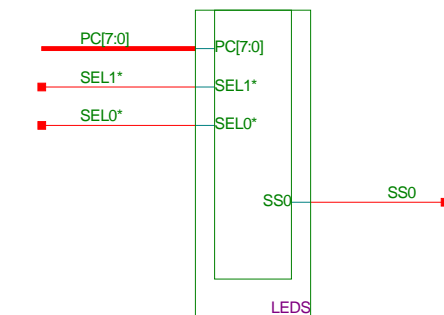
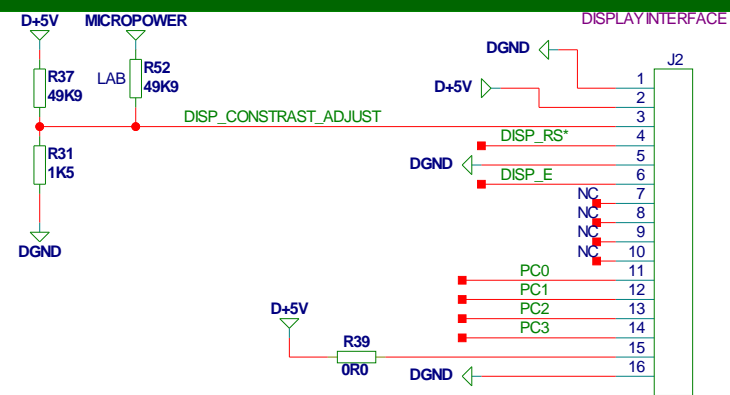
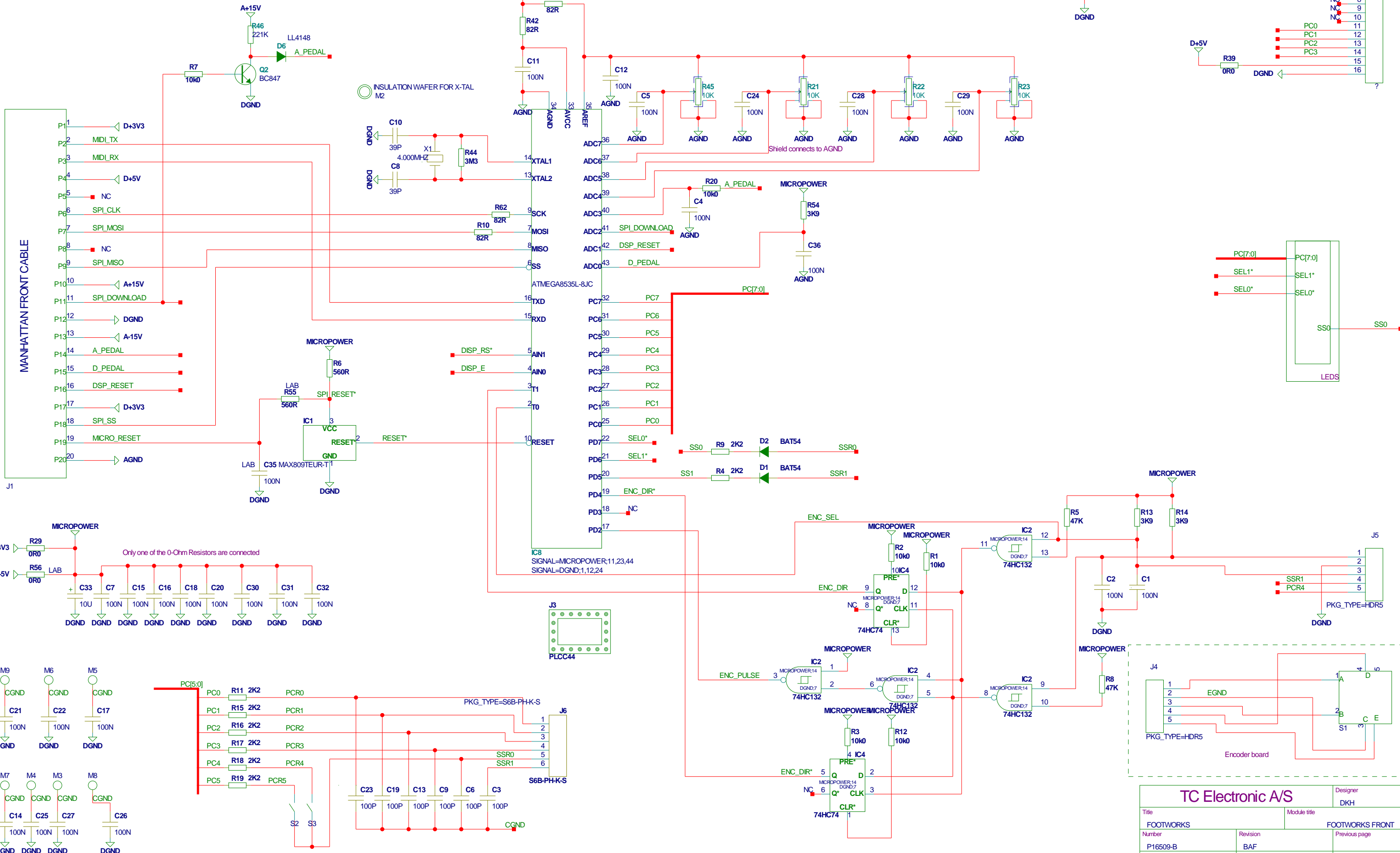


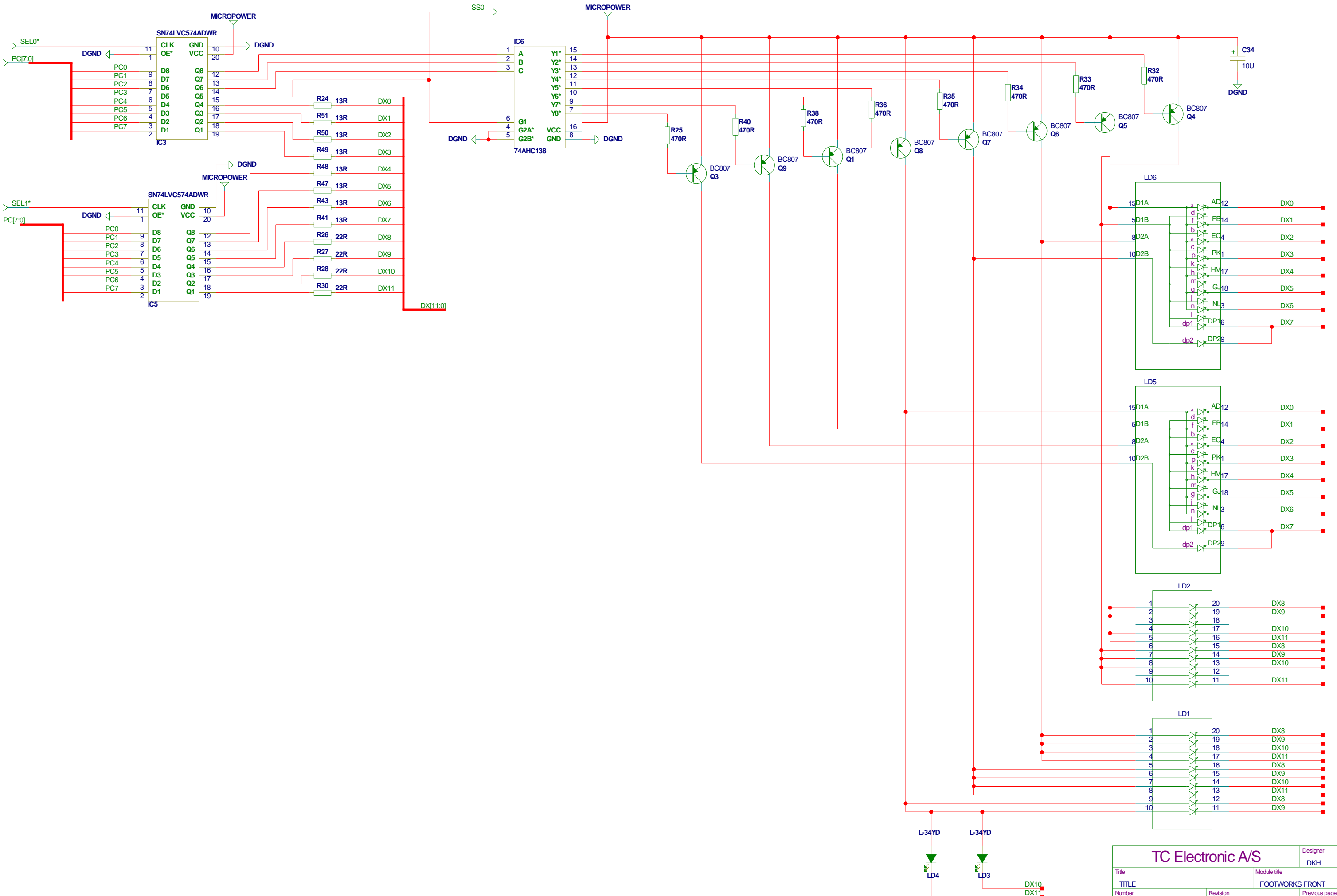
PCB FOOTWORKS FRONTPANEL

P16509-B

M1



TC Electronic A/S		Designer
FOOTWORKS		DKH
Title	Module title	
Number	Revision	FOOTWORKS FRONT
P16509-B	BAF	Previous page
Date	Filename	Page / of
3-31-2004_13:18	P16509_BAF	1 / 2



<b>TC Electronic A/S</b>		Designer DKH
Title <b>FOOTWORKS FRONT</b>		Module title
Number 16509_B	Revision BAF	Previous page 1
Date 3-31-2004 13:15	Filenam LEDS	Page / of 2 / 2