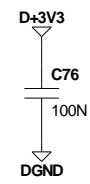
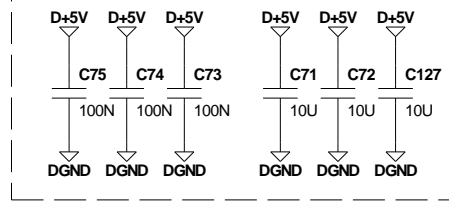


<b>TC Electronic A/S</b>		Designer MC/HK
Title 8 AES IN/OUT		Module title TOP SHEET
Number P30301	Revision DAA	Previous page XX
Date 10-28-2004 11:43	Filename P30301-DAA	Page / of 1 / 4

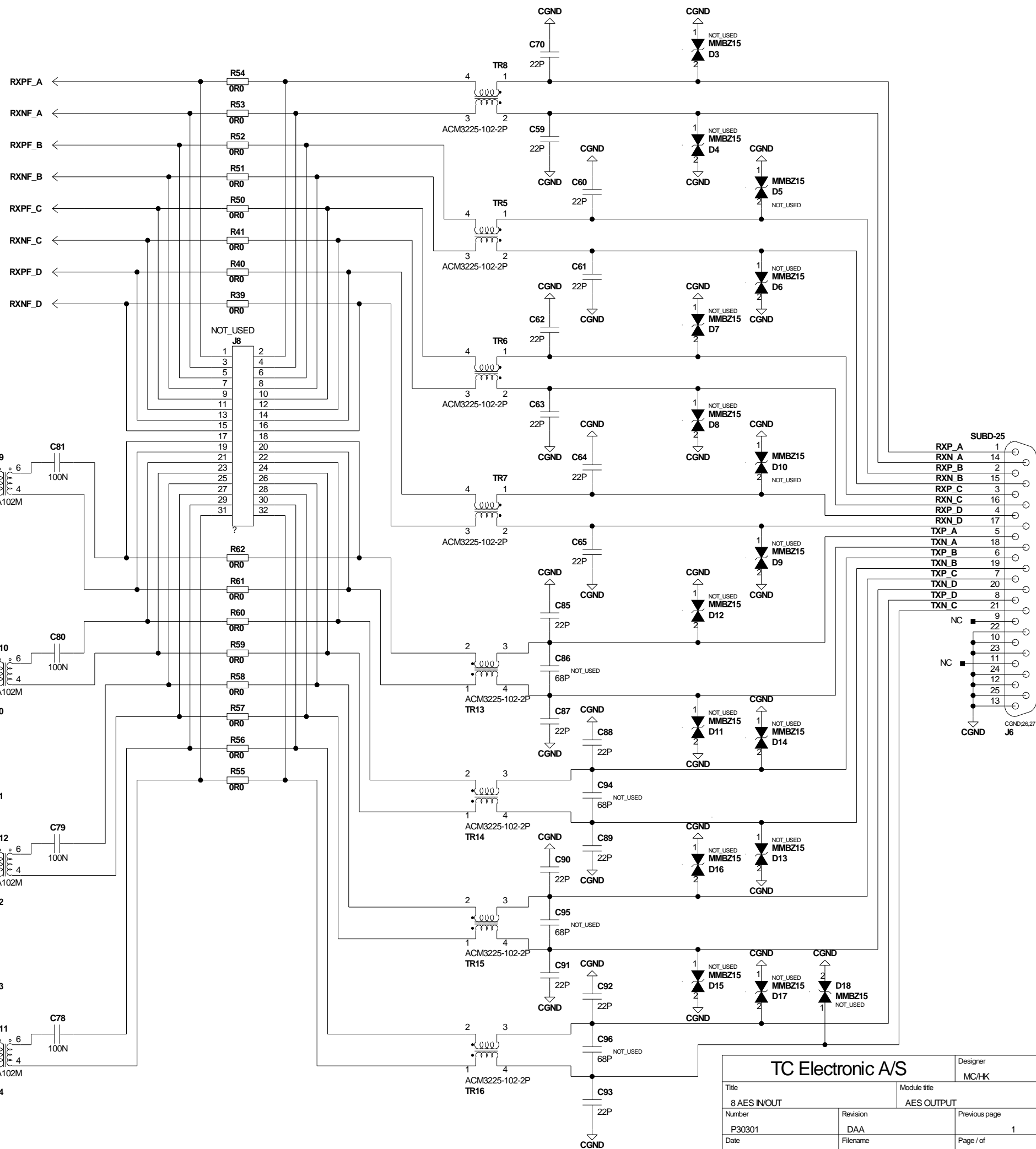
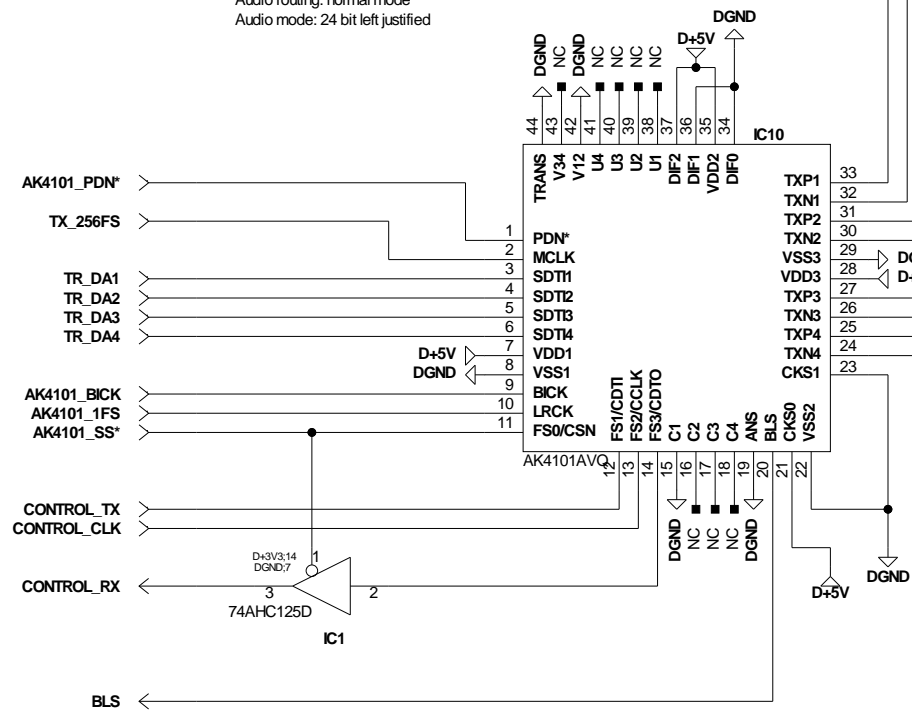
74AHC125 decoupling



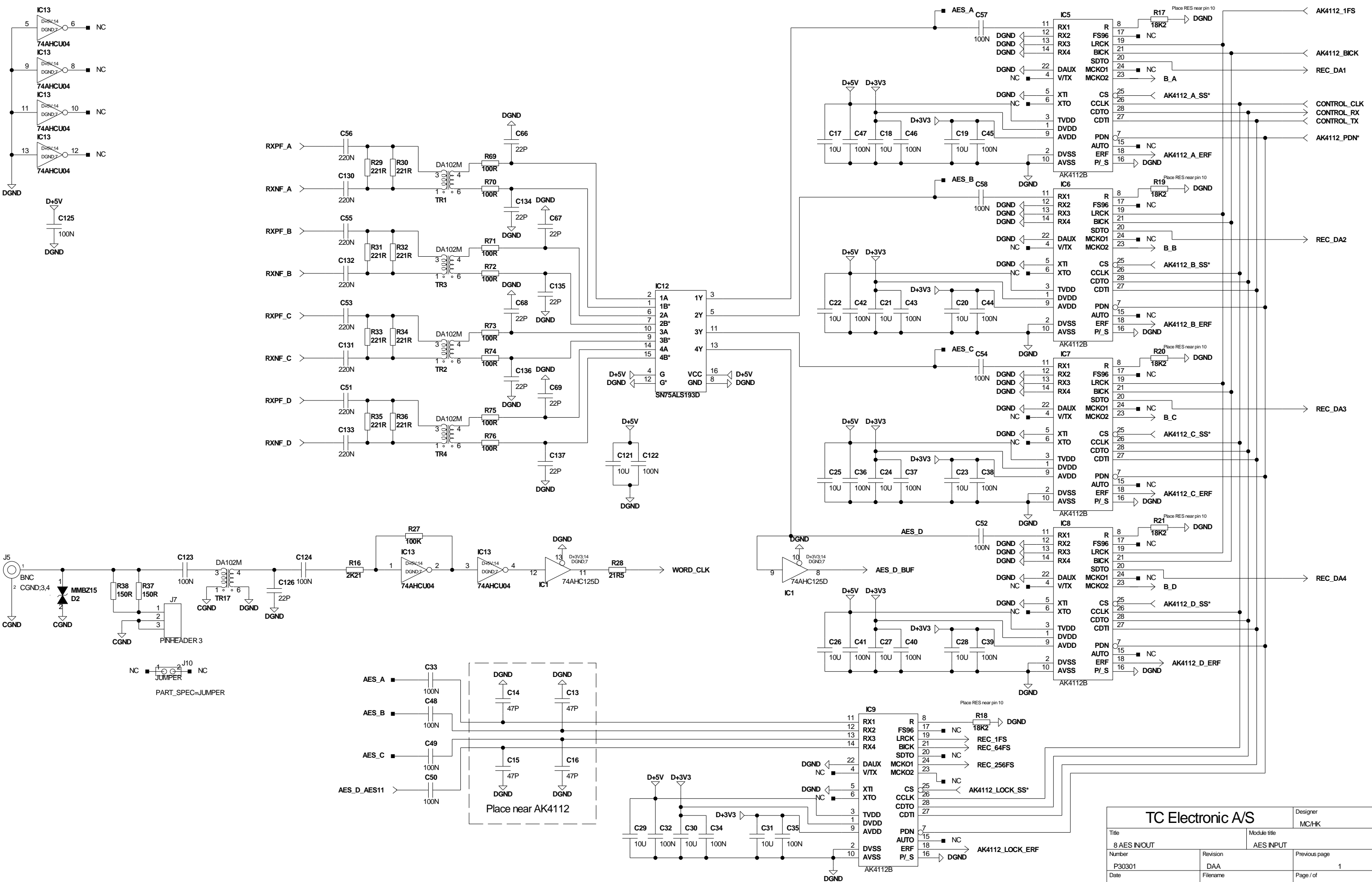
AK4101 decoupling



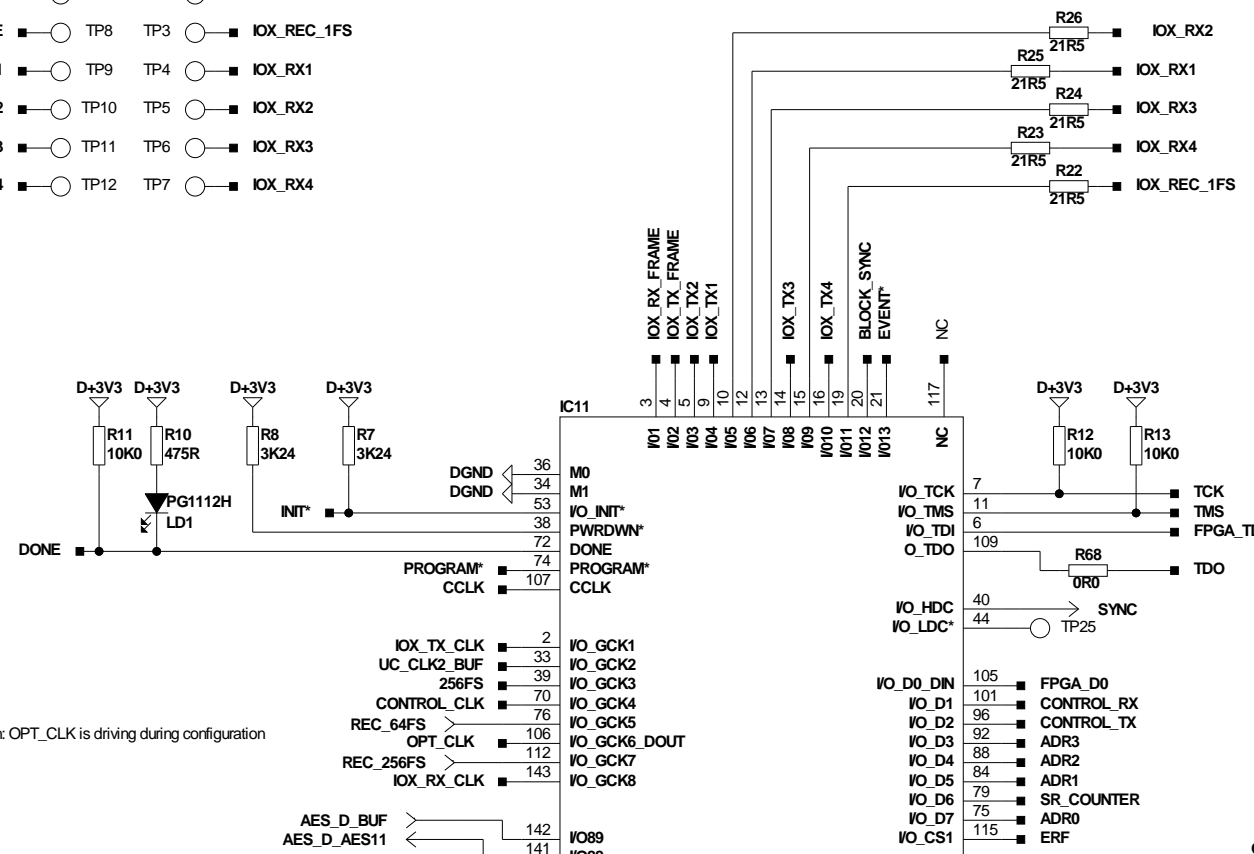
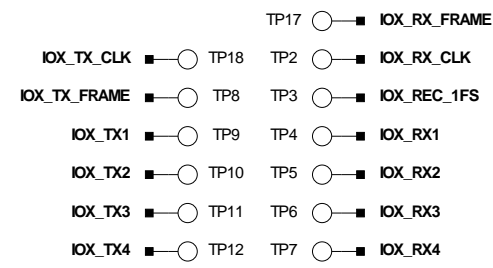
Asynchronous mode  
Audio routing: normal mode  
Audio mode: 24 bit left justified



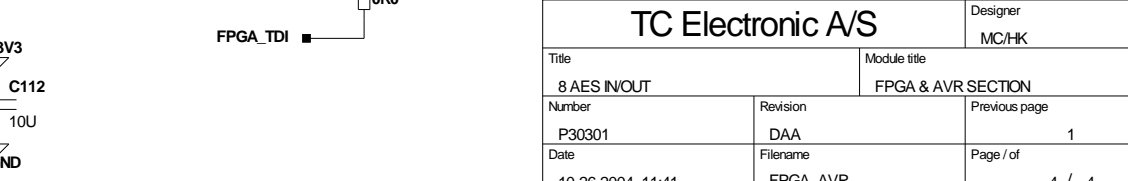
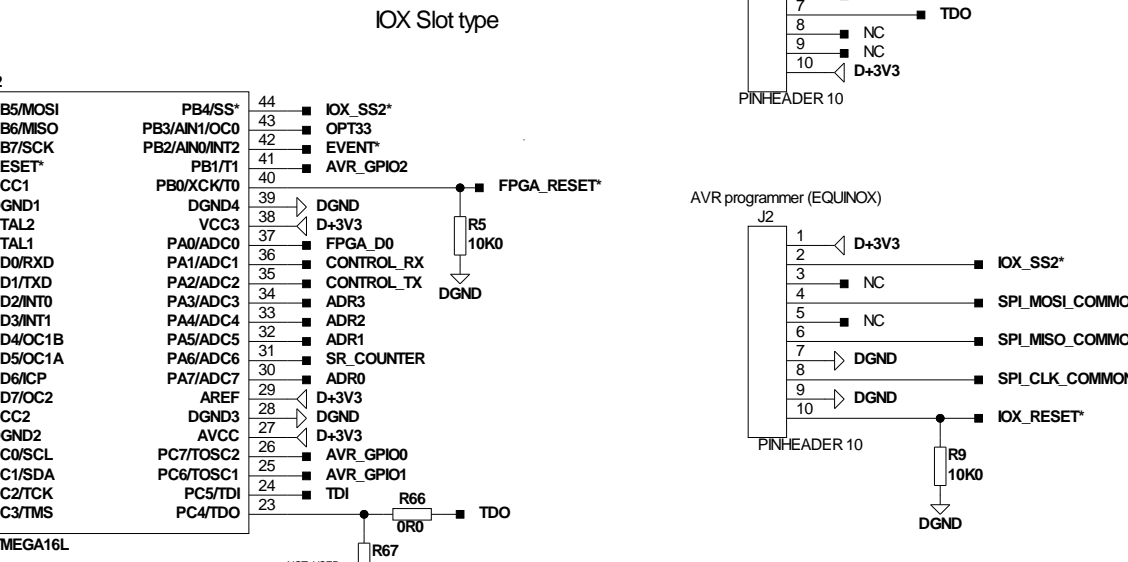
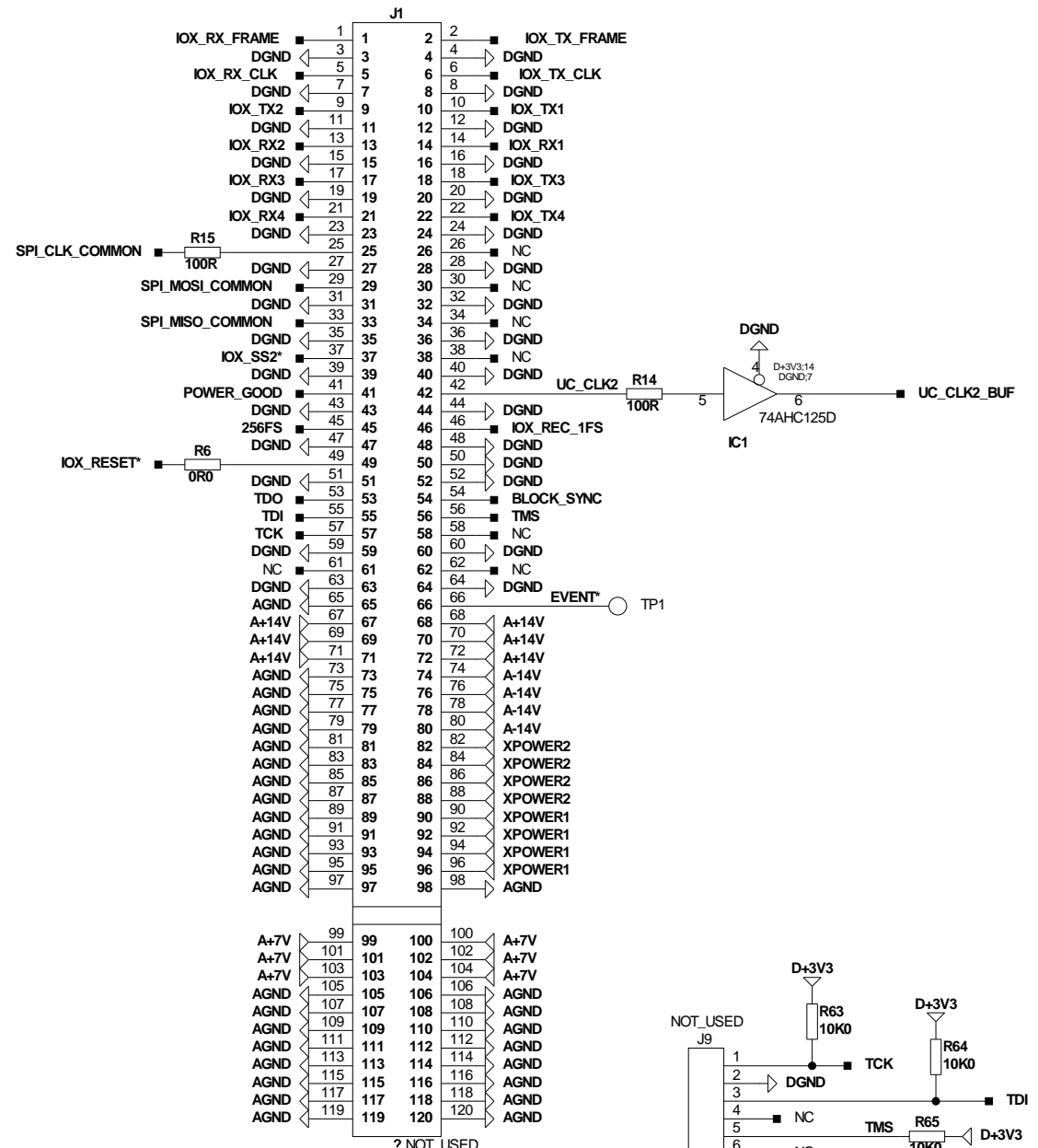
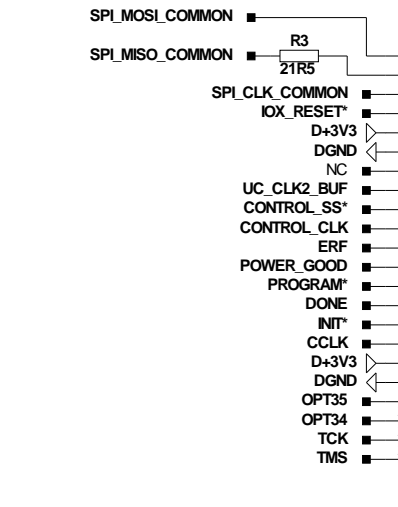
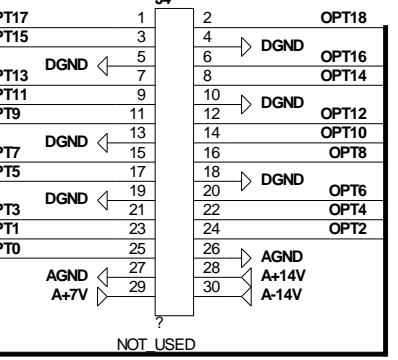
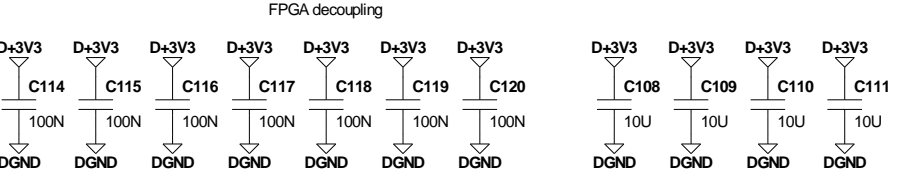
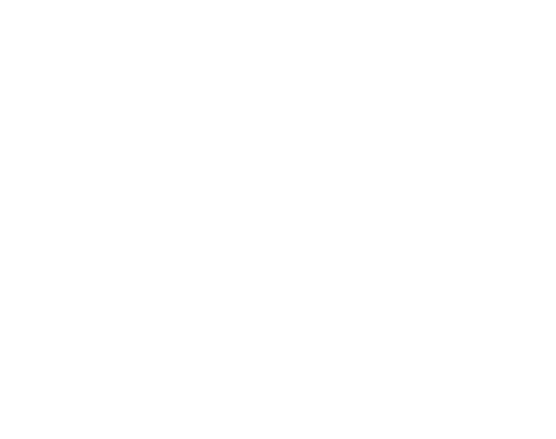
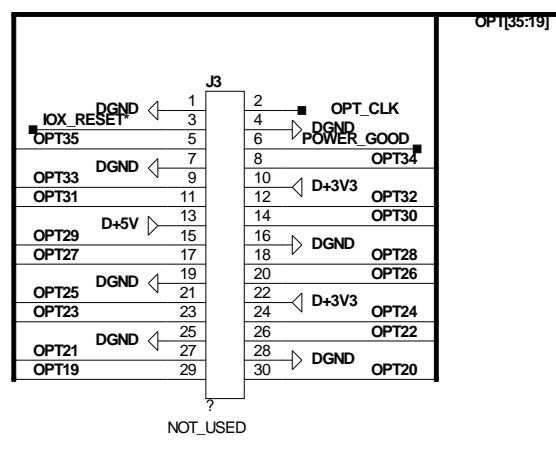
<b>TC Electronic A/S</b>		Designer
		MCH/K
Title	8 AES IN/OUT	Module title
		AES OUTPUT
Number	P30301	Revision
		DAA
Date	10-26-2004 10:39	File name
		AES_OUT
		Previous page
		1
		Page / of
		3 / 4



<b>TC Electronic A/S</b>		Designer
		MCH/K
Title	8 AES INOUT	Module title
Number	P30301	AES INPUT
Date	10-26-2004 11:37	Previous page
		1
		Page / of
		2 / 4



Attention: OPT\_CLK is driving during configuration



TC Electronic A/S		Designer	MCH/K
8 AES INOUT		Module title	
FPGA & AVR SECTION		Previous page	
Number	Revision	Page / of	
P30301	DAA	1	
Date	Filename	Page / of	
10-26-2004_11:41	FPGA_AVR	4 / 4	