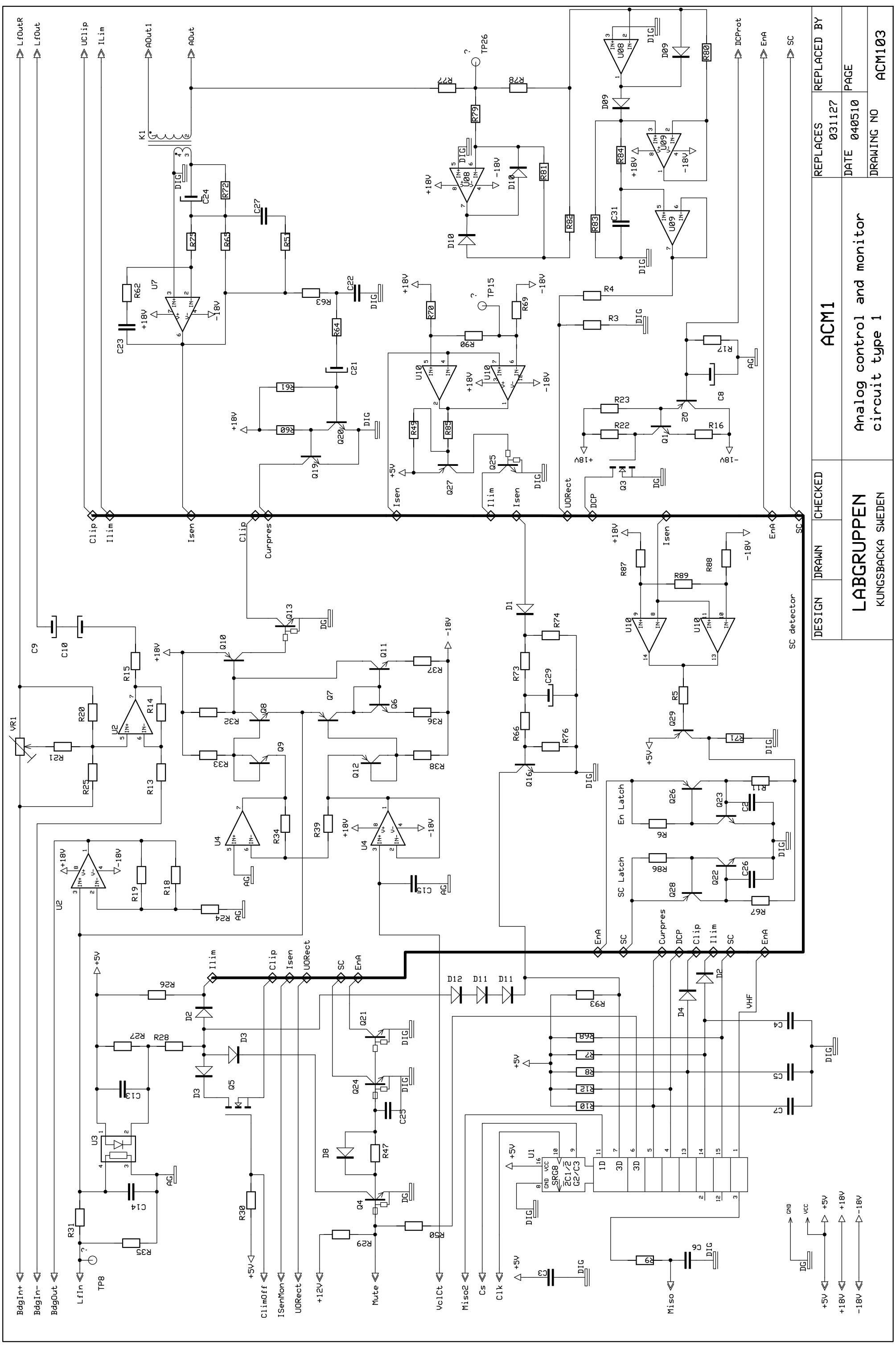


DESIGN	DRAWN	CHECKED	REPLACES	REPLACED BY
KA	AM		AIC04b07	ME
			AIC04b08	
			DATE	PAGE
			081225	
			DRAWING NO	AIC04b08

LABGRUPPEN		AIC04b	
		Analog Input, Control and Output	
KUNGSBACKA SWEDEN		4 channels type b	

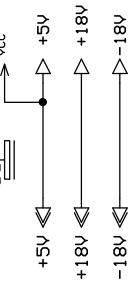


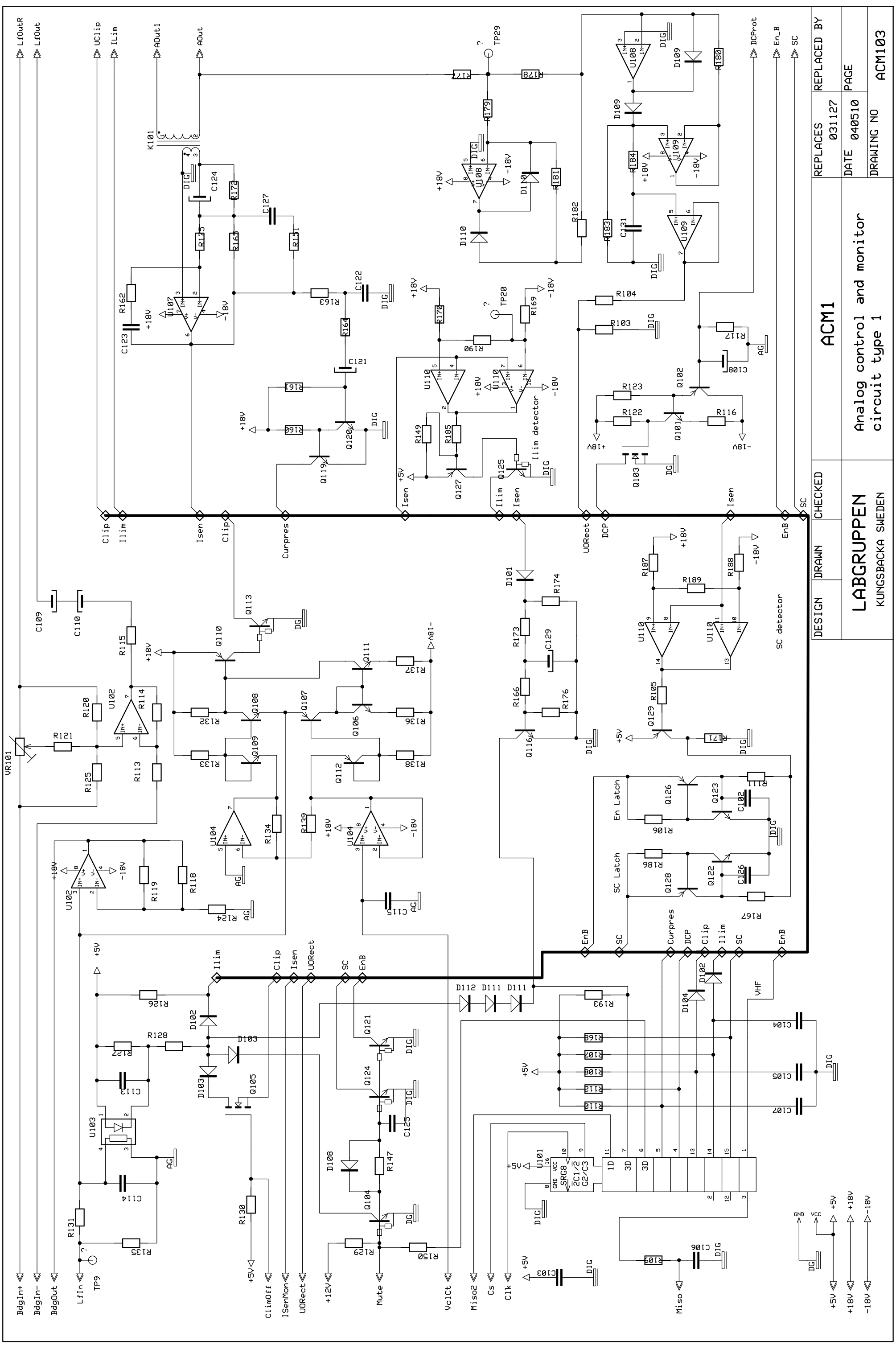
DESIGN	DRAWN	CHECKED	REPLACES	REPLACED BY
LABGRUPPEN			031127	031127
KUNGSBACKA SWEDEN			DATE	PAGE
			040510	
			DRAWING NO	ACM103

ACM1

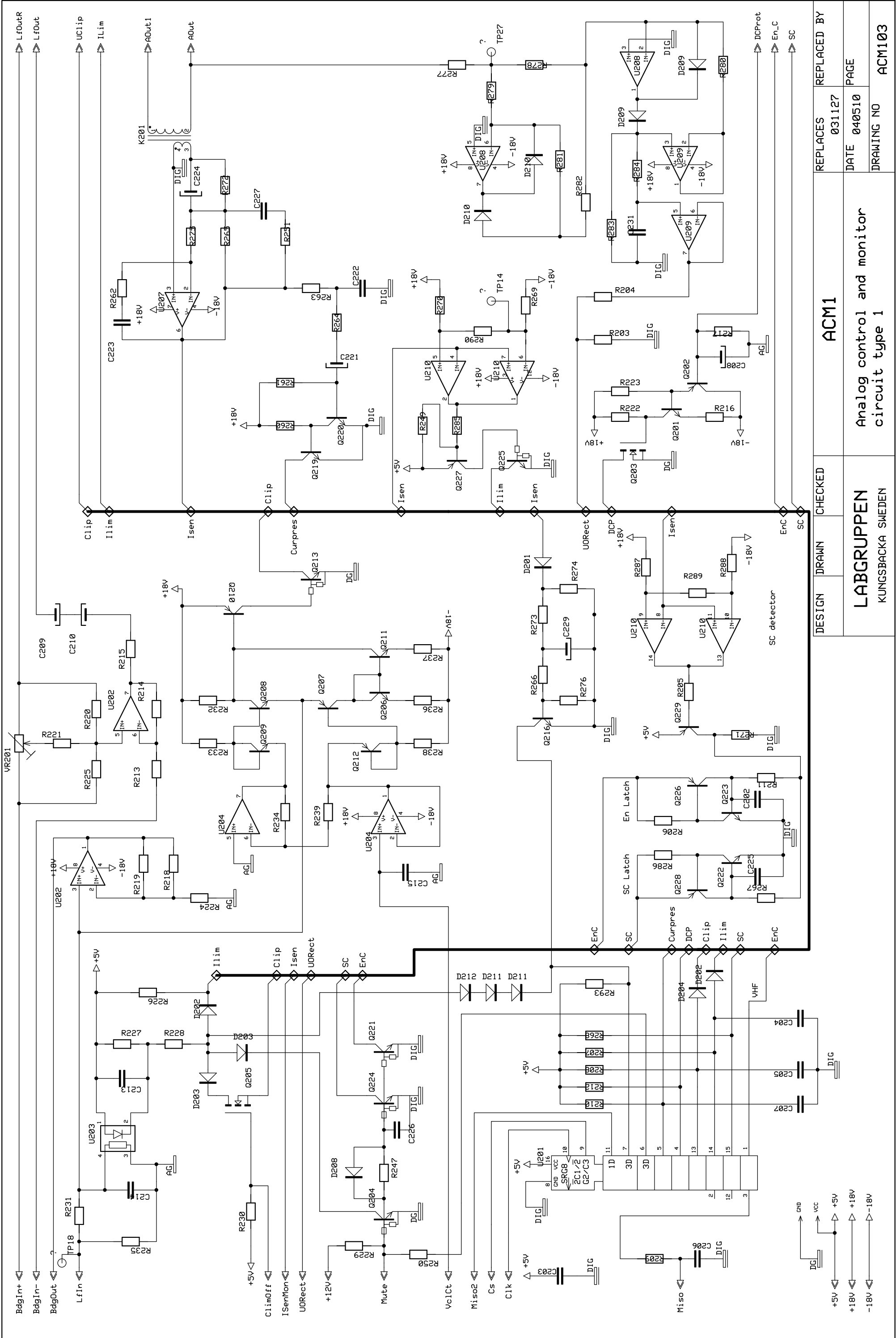
Analog control and monitor
circuit type 1

SC detector

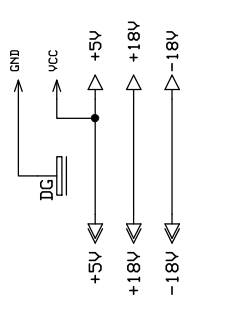


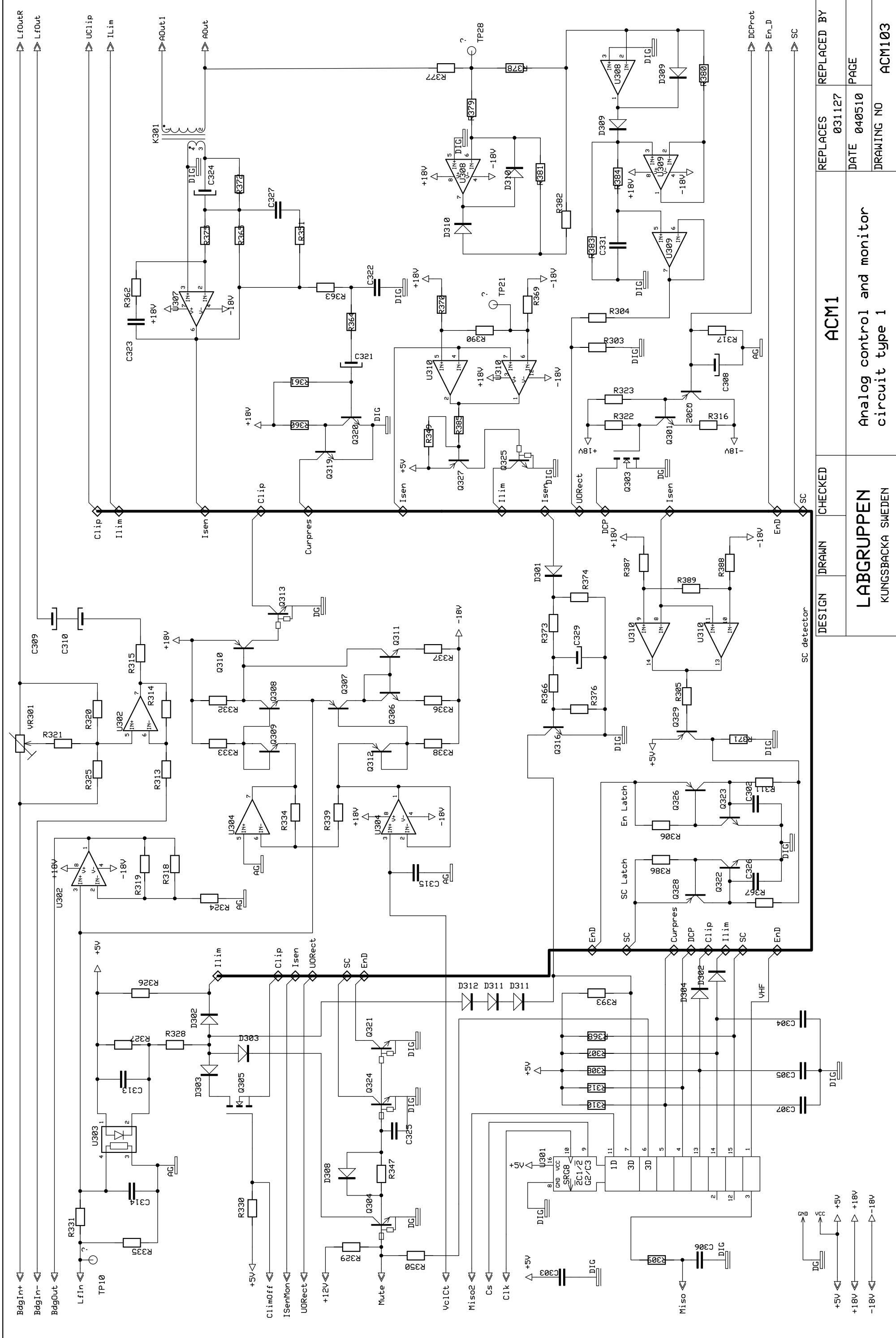


DESIGN	DRAWN	CHECKED	ACM1	REPLACES	REPLACED BY
LABGRUPPEN			Analogue control and monitor	031127	031127
KUNGSBACKA SWEDEN			circuit type 1	DATE	PAGE
				040510	1
				DRAWING NO	ACM103



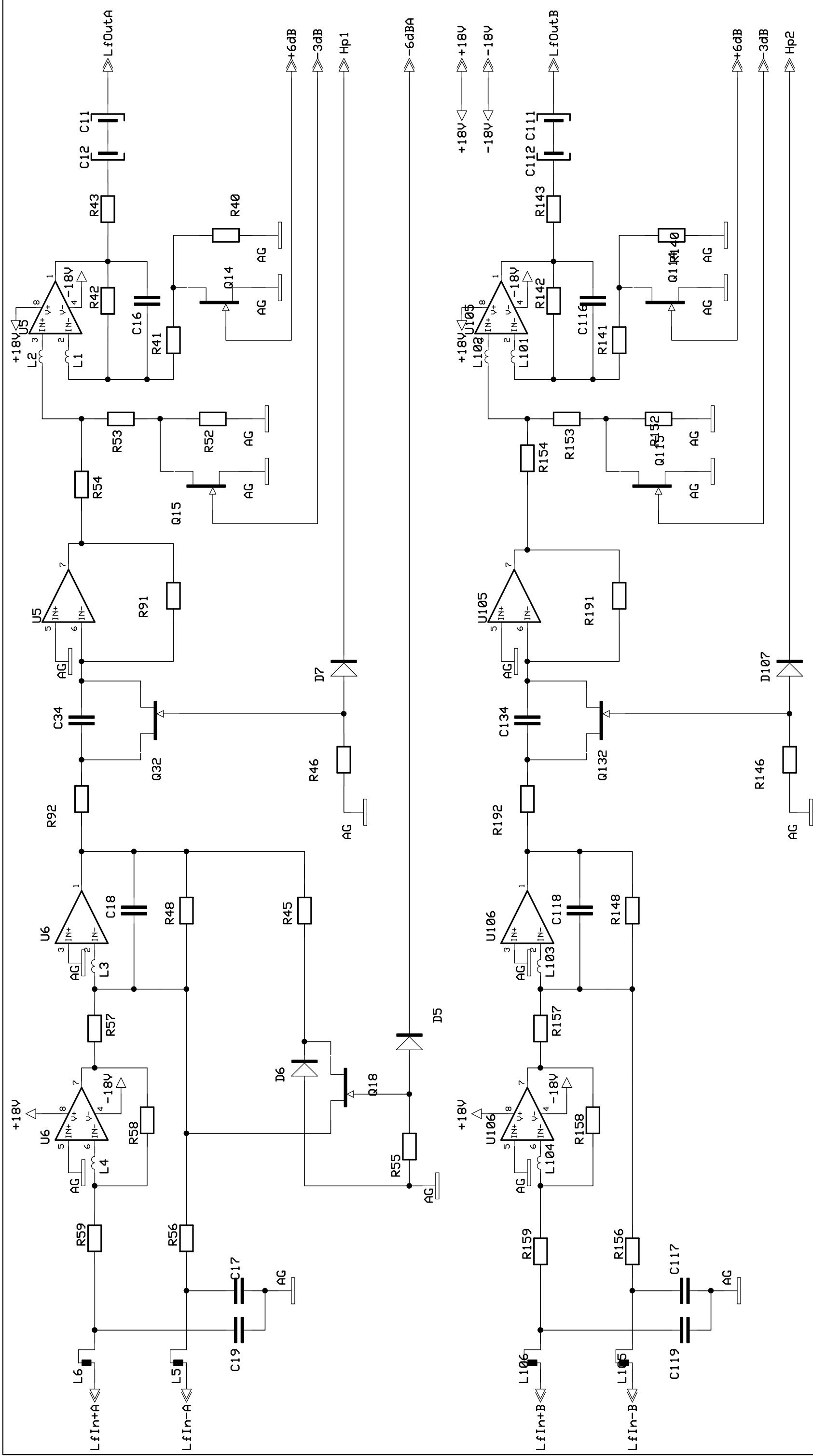
DESIGN	DRAWN	CHECKED	ACM1	REPLACES	REPLACED BY
				031127	031127
LABGRUPPEN KUNGSBACKA SWEDEN			Analog control and monitor circuit type 1		
				DATE	PAGE
				040510	
				DRAWING NO	ACM103





DESIGN	DRAWN	CHECKED	ACM1	REPLACES	REPLACED BY
				031127	031127
LABGRUPPEN			Analog control and monitor		
KUNGSBACKA SWEDEN			circuit type 1		
			DATE	040510	PAGE
			DRAWING NO		ACM103

+5V	←	→	+5V
+18V	←	→	+18V
-18V	←	→	-18V



DESIGN	DRAWN	CHECKED	REPLACES	REPLACED BY
LABGRUPPEN			AIG2B	
KUNGSBACKA SWEDEN			DATE	PAGE
			DRAWING NO	

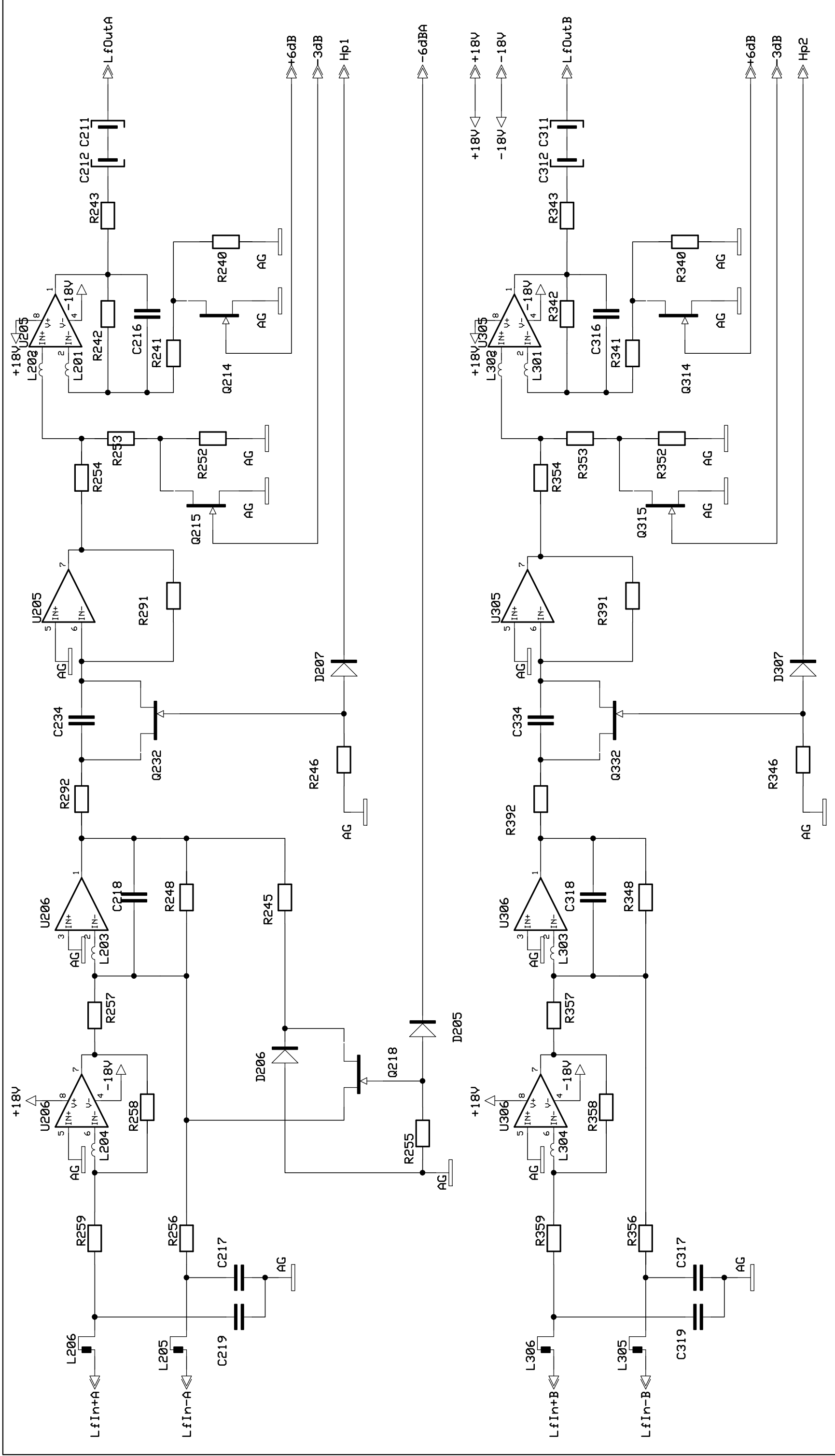
Analogue input & Gain

+18V <-> +18V
-18V <-> -18V

+18V <-> +18V
-18V <-> -18V

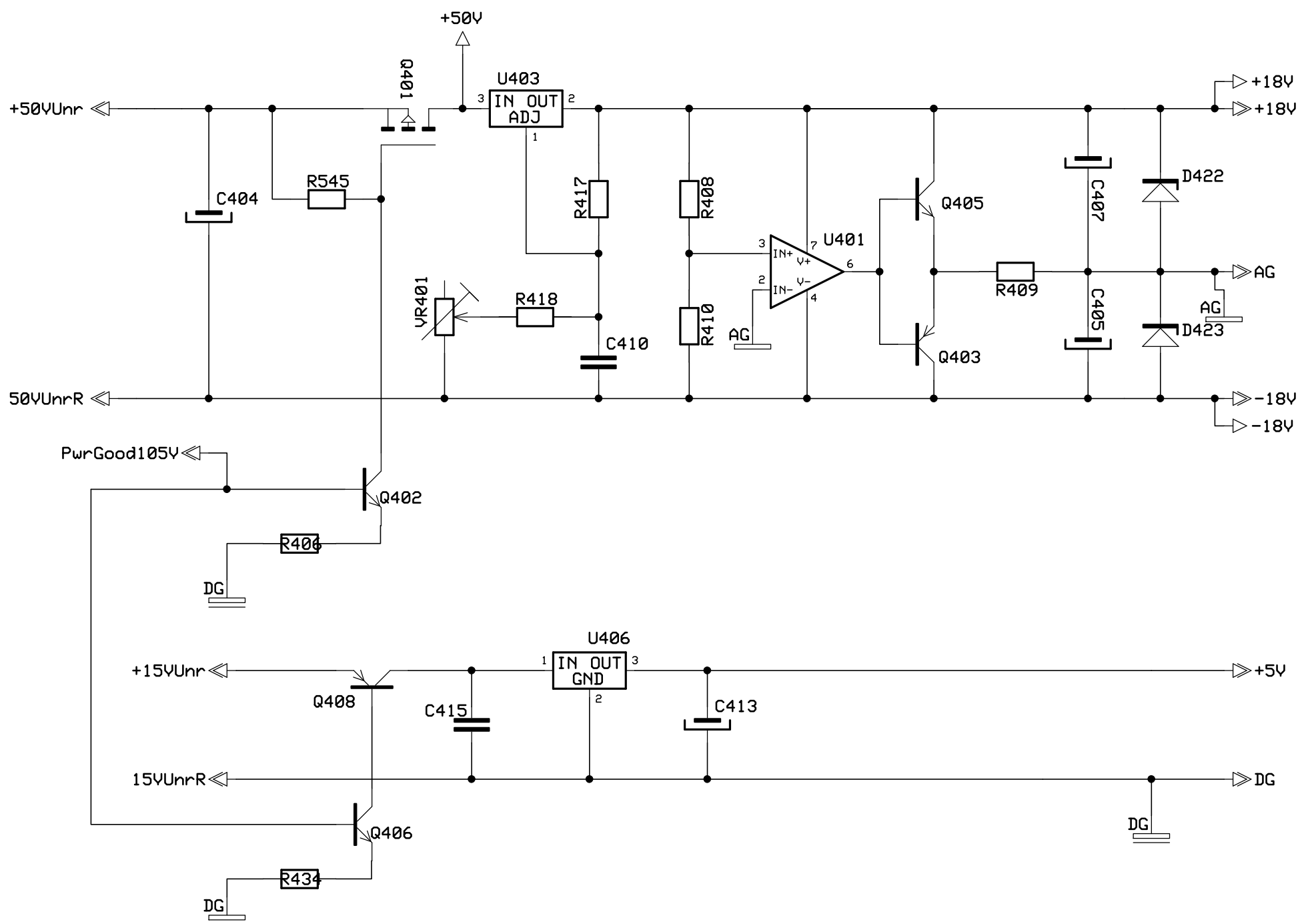
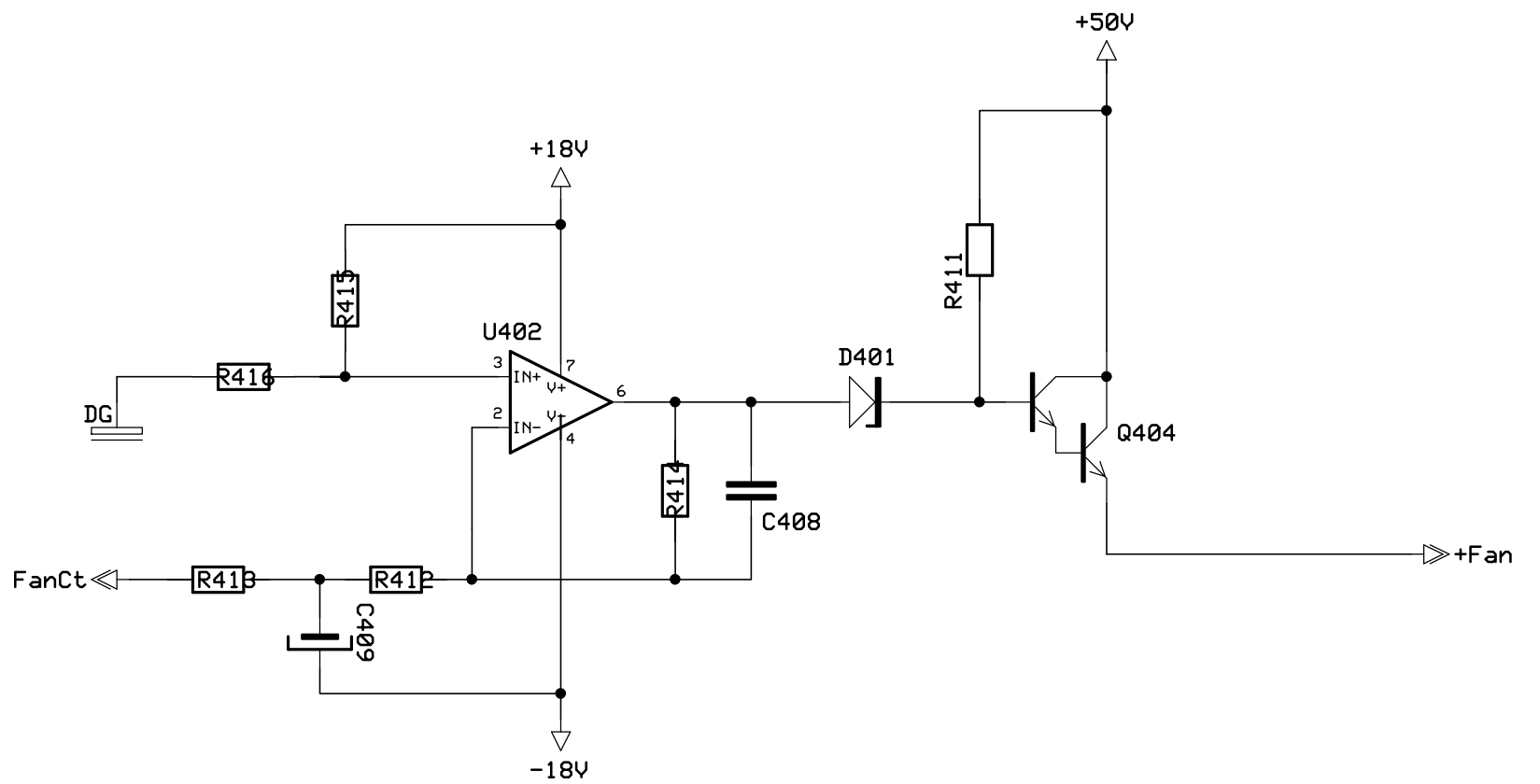
+6dB
3dB
Hp1
-6dBA

+6dB
3dB
Hp2

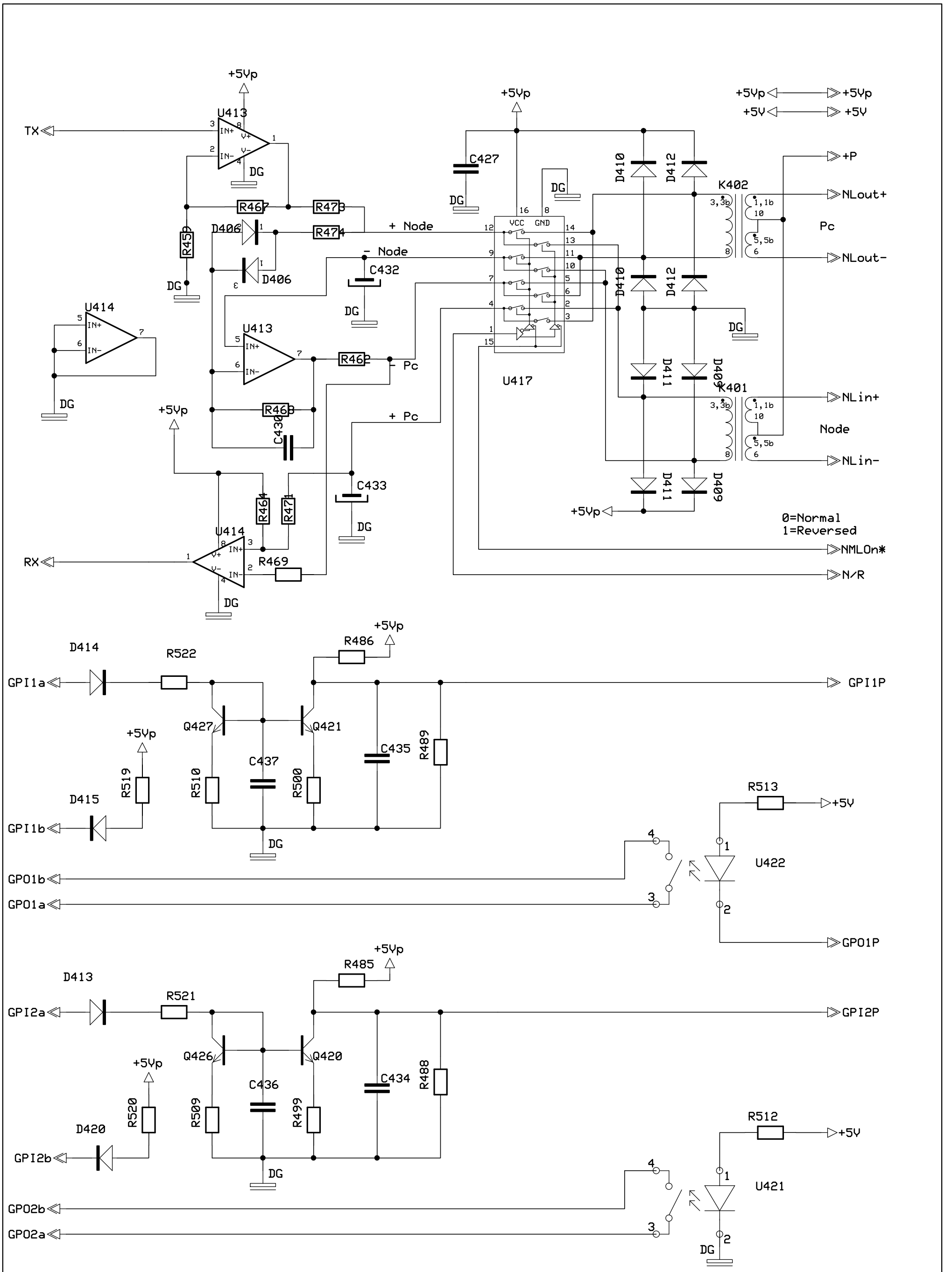


DESIGN	DRAWN	CHECKED	REPLACES	REPLACED BY
LABGRUPPEN KUNGSBACKA SWEDEN			AIG2B	
			DATE	PAGE
			DRAWING NO	
Analogue input & Gain				

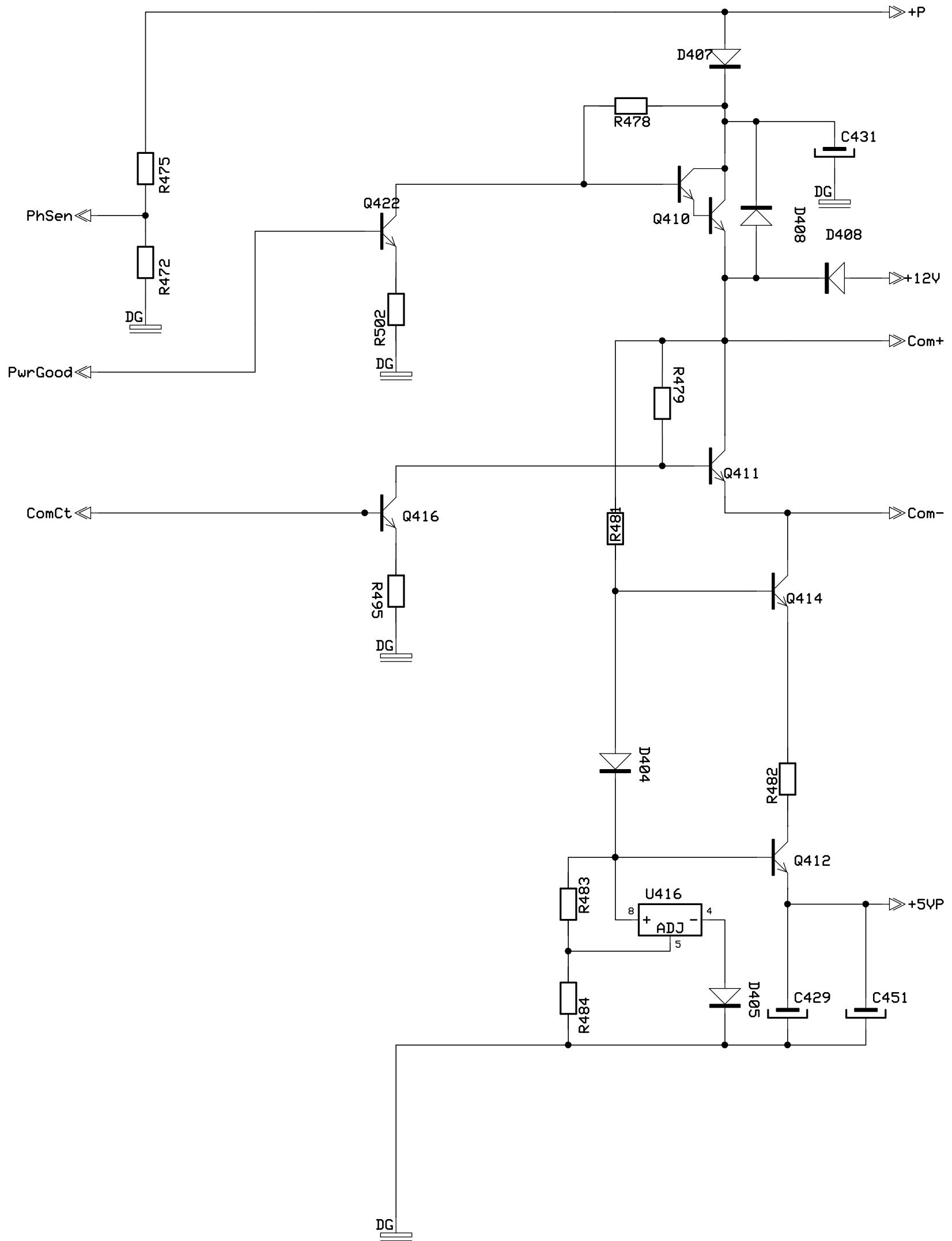
DESIGN	DRAWN	CHECKED	REPLACES	REPLACED BY
LABGRUPPEN KUNGSBACKA SWEDEN			AIG2B	
			DATE	PAGE
			DRAWING NO	
Analogue input & Gain				



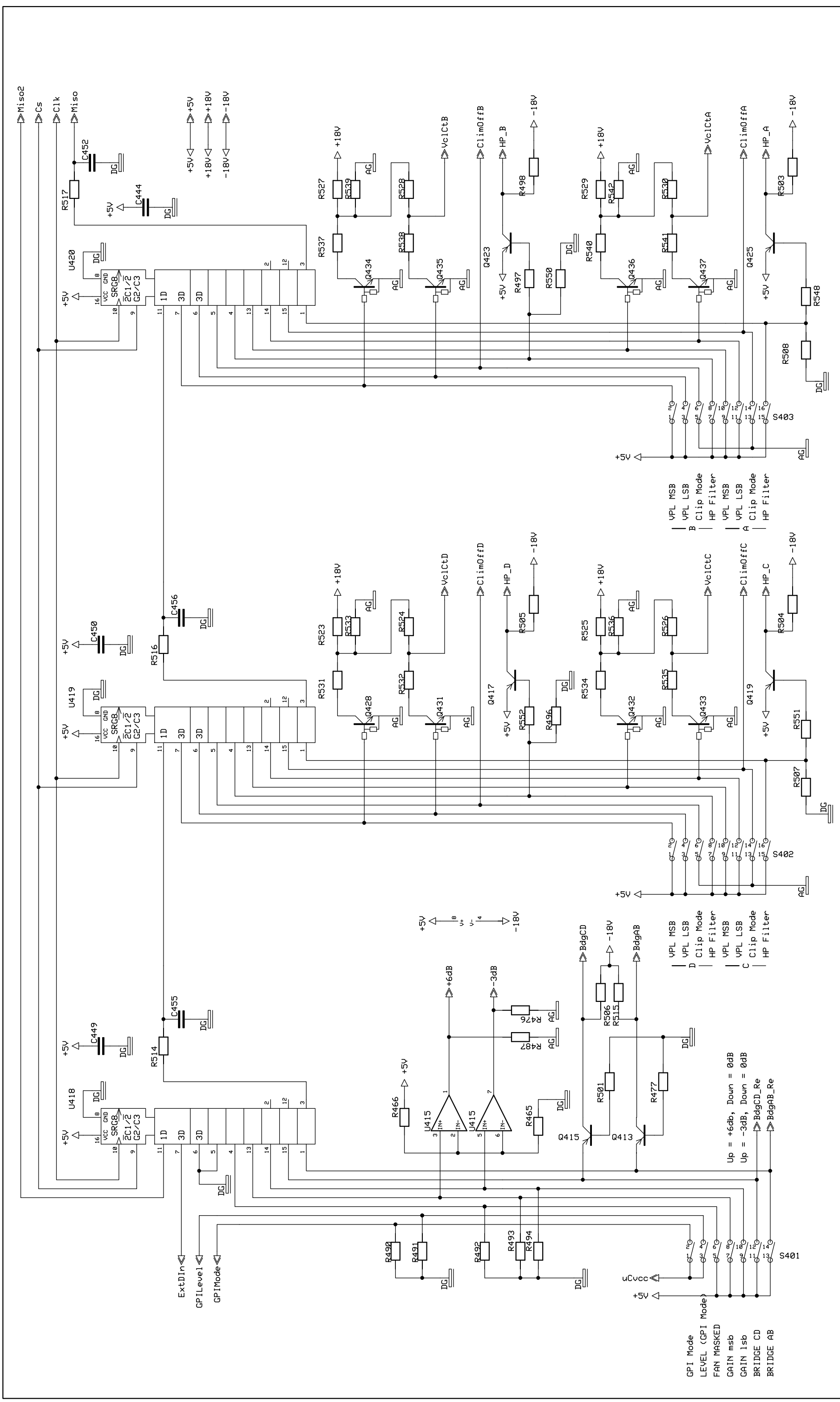
DESIGN KA	DRAWN	CHECKED	LVPsB	REPLACES	REPLACED BY
LABGRUPPEN KUNGSBACKA SWEDEN				Low voltage power supply type1	DATE 030128



DESIGN	DRAWN	CHECKED	NLIB/GPIO	REPLACES	REPLACED BY	
LABGRUPPEN KUNGSBACKA SWEDEN				Nomad link and GPIO interface		DATE



DESIGN KA	DRAWN	CHECKED	NLIPs	REPLACES	REPLACED BY	
LABGRUPPEN KUNGSBACKA SWEDEN				Nomad Link Interface Power Supply		DATE 030128
						DRAWING NO NLIPs01

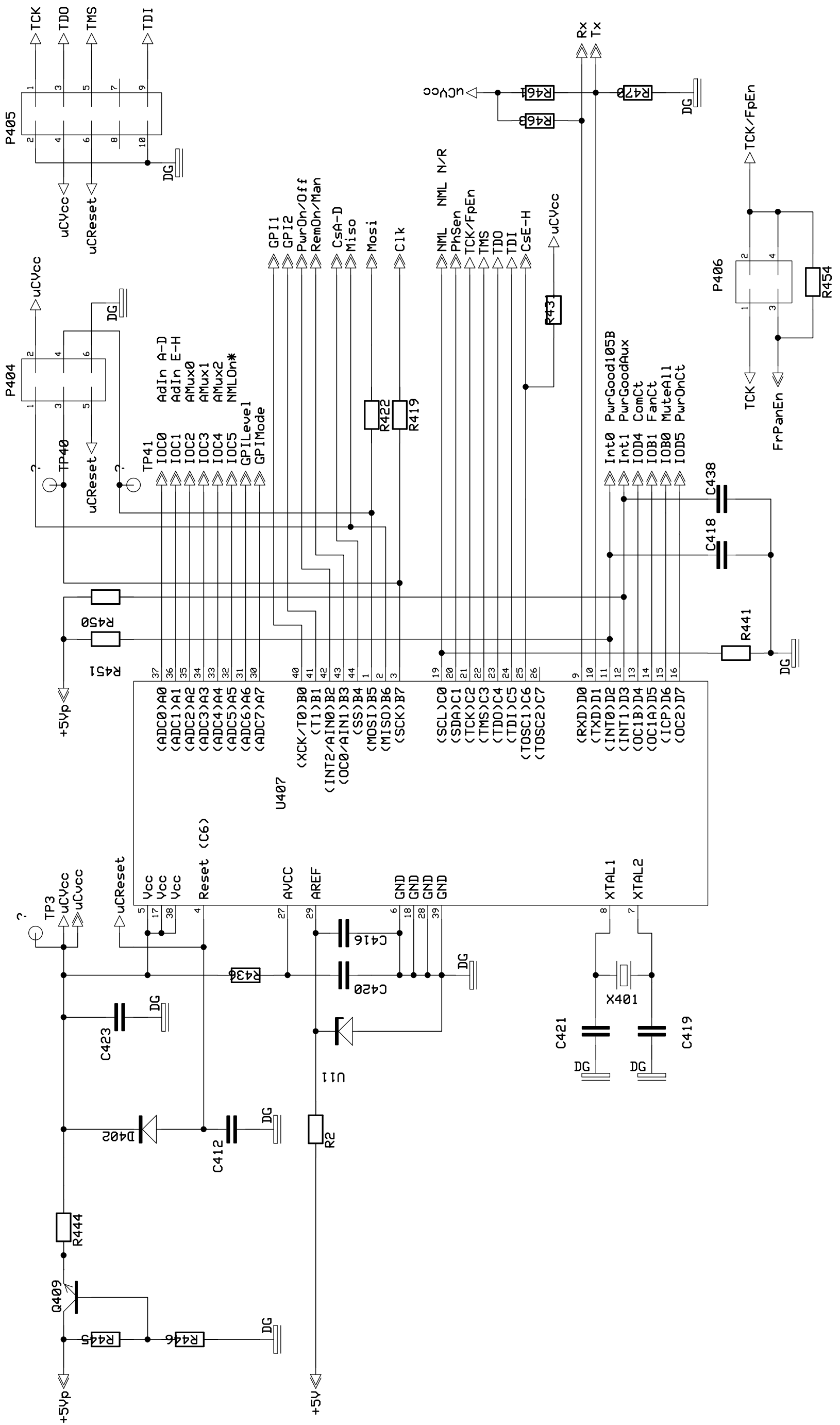


DESIGN	DRAWN	CHECKED	REPLACES	REPLACED BY
LABGRUPPEN KUNGSBACKA SWEDEN			DATE	PAGE
			DRAWING NO	

PGSW_4CH

ISP Port

JTAG Port



DESIGN	DRAWN	CHECKED	UPcB		REPLACES	REPLACED BY
					031202	031202
LABGRUPPEN KUNGSBACKA SWEDEN			Micro Processor unit typeB		DATE	PAGE
					040204	
					DRAWING NO	UPcB01