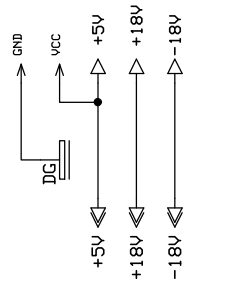
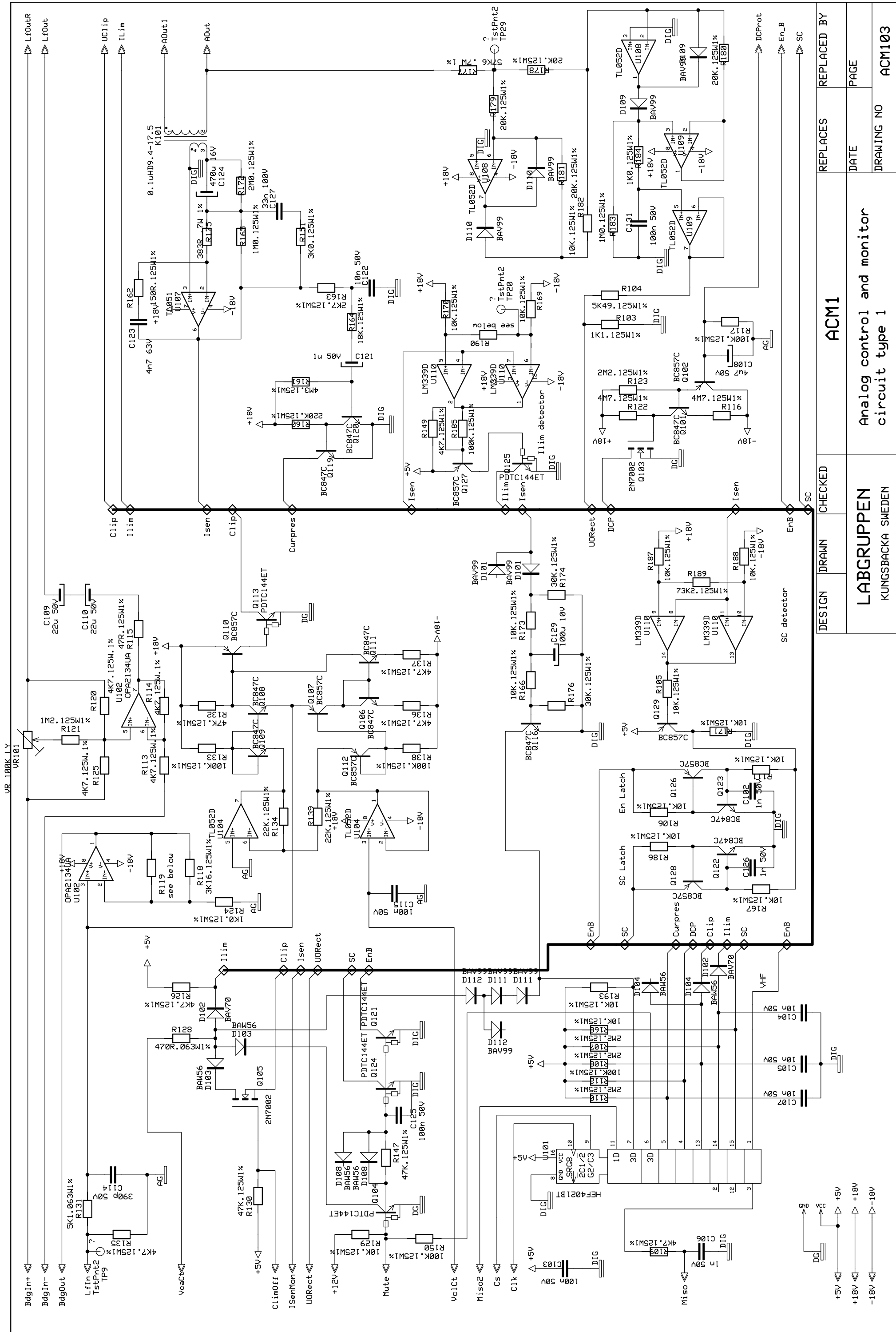


DESIGN	DRAWN	CHECKED	REPLACES	REPLACED BY
LABGRUPPEN			ACM1	
KUNGSBACKA SWEDEN			DATE	PAGE
			DRAWING NO	ACM103

Analog control and monitor	
circuit type 1	

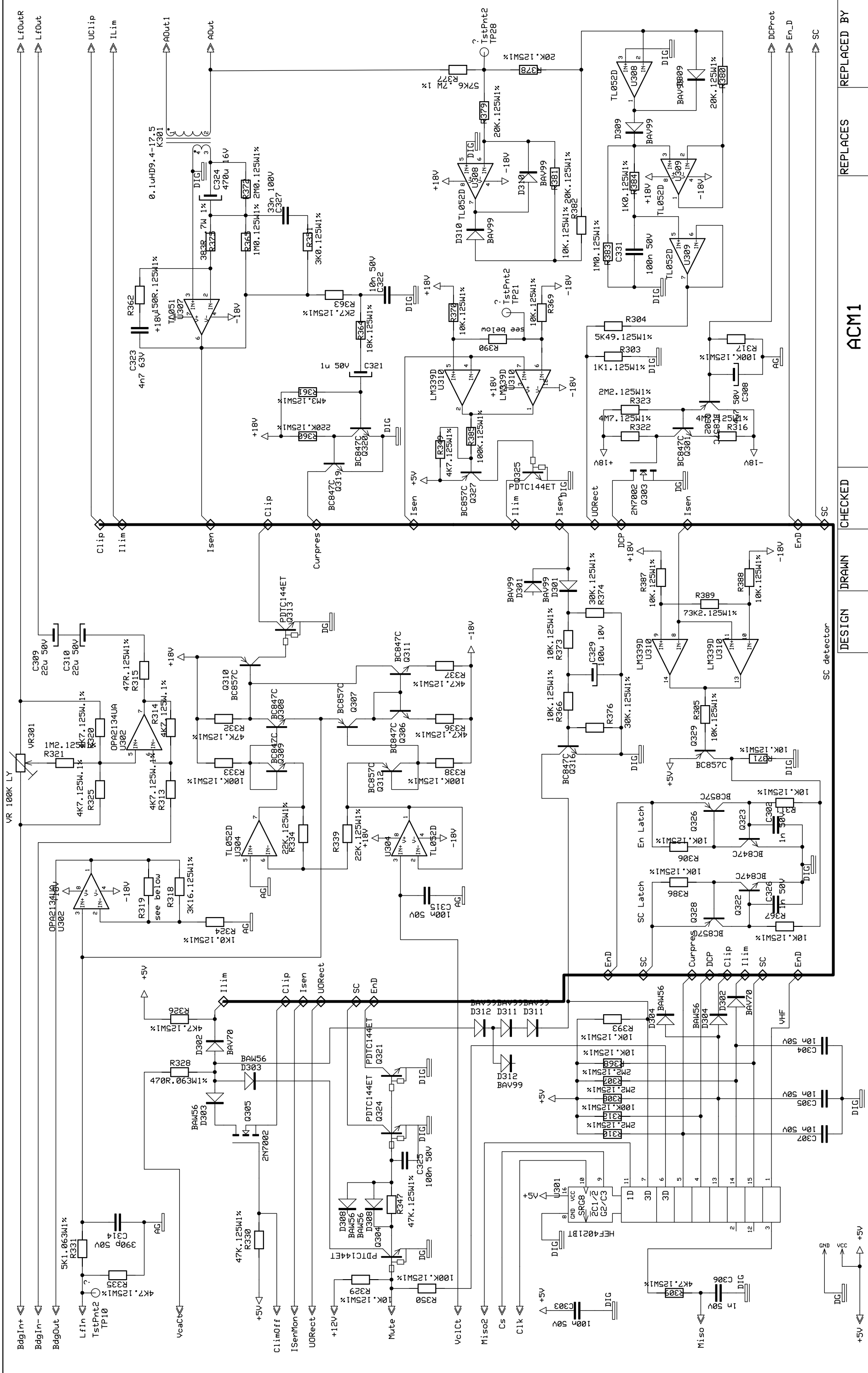




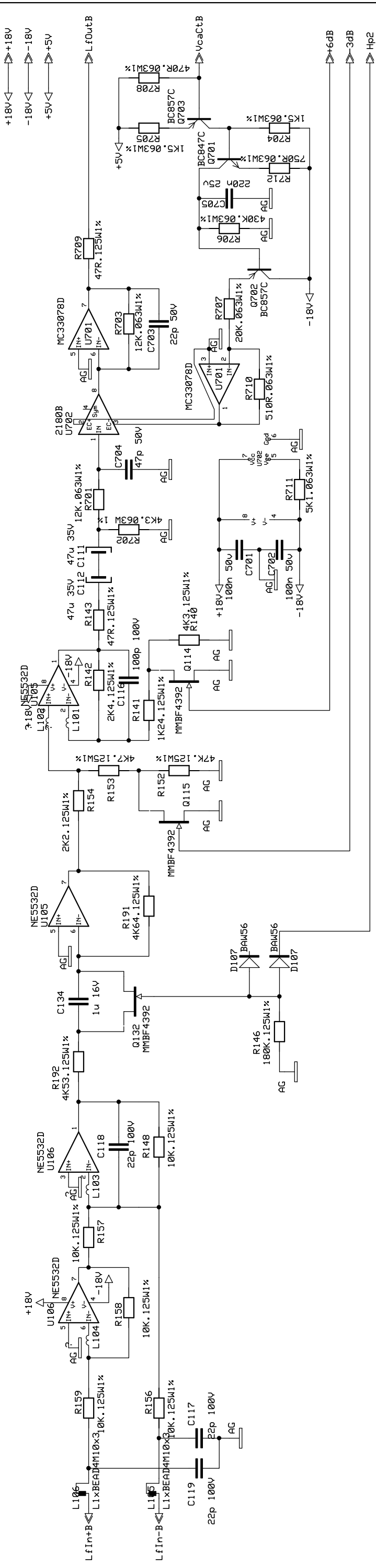
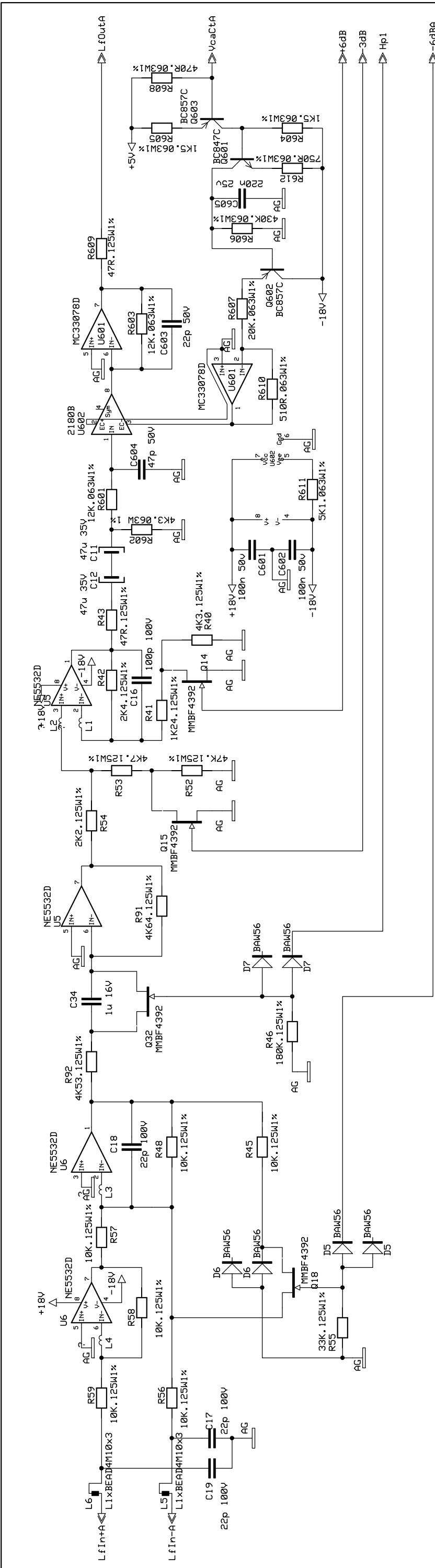
DESIGN	DRAWN	CHECKED	REPLACES	REPLACED BY
LABGRUPPEN KUNGSBACKA SWEDEN			ACM1	ACM103
			DATE	PAGE
			DRAWING NO	ACM103

Analog control and monitor  
circuit type 1





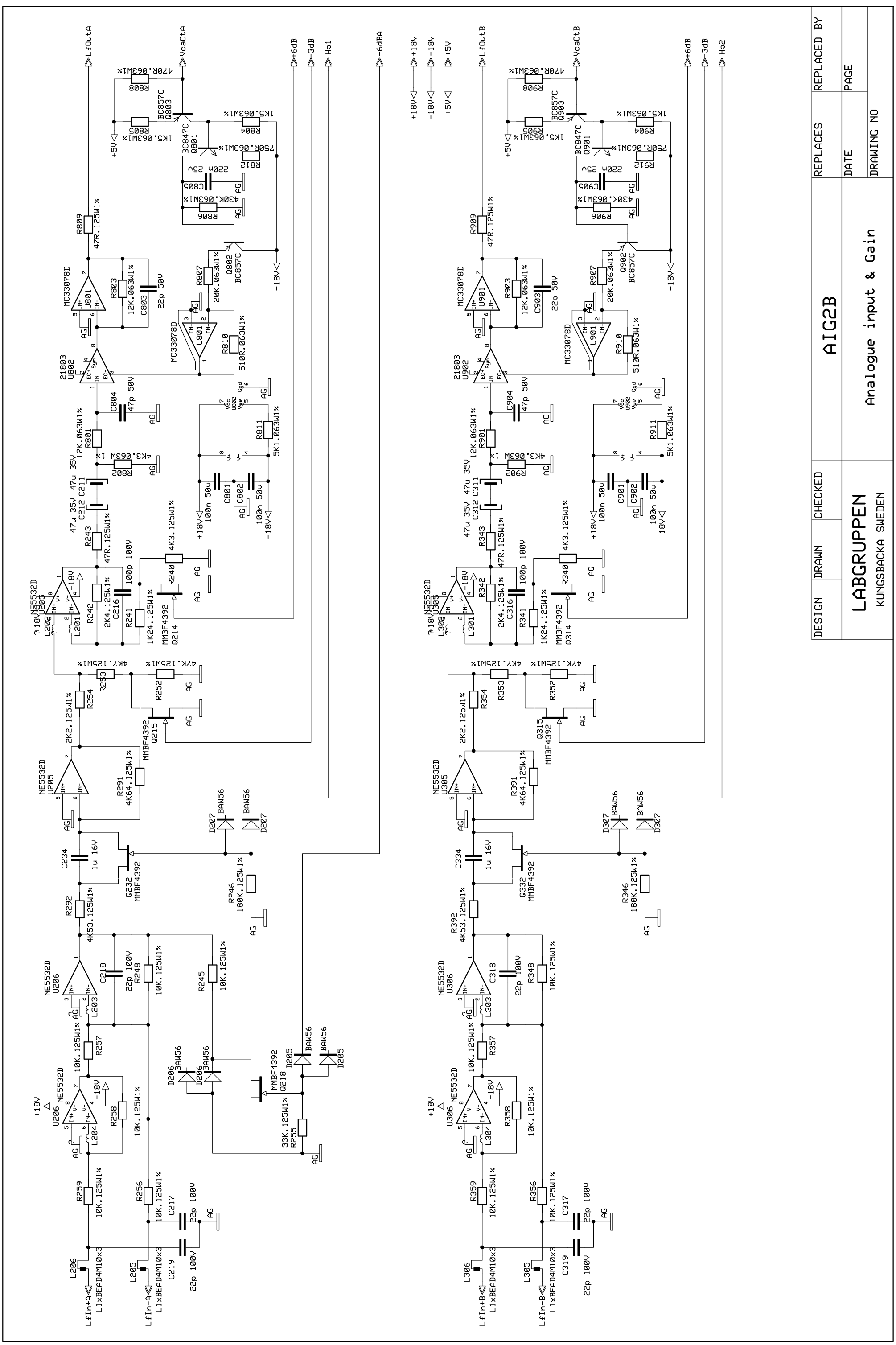
DESIGN	DRAWN	CHECKED	REPLACES	REPLACED BY
LABGRUPPEN			ACM1	
KUNGSBACKA SWEDEN			DATE	PAGE
			DRAWING NO	ACM103
Analog control and monitor circuit type 1				



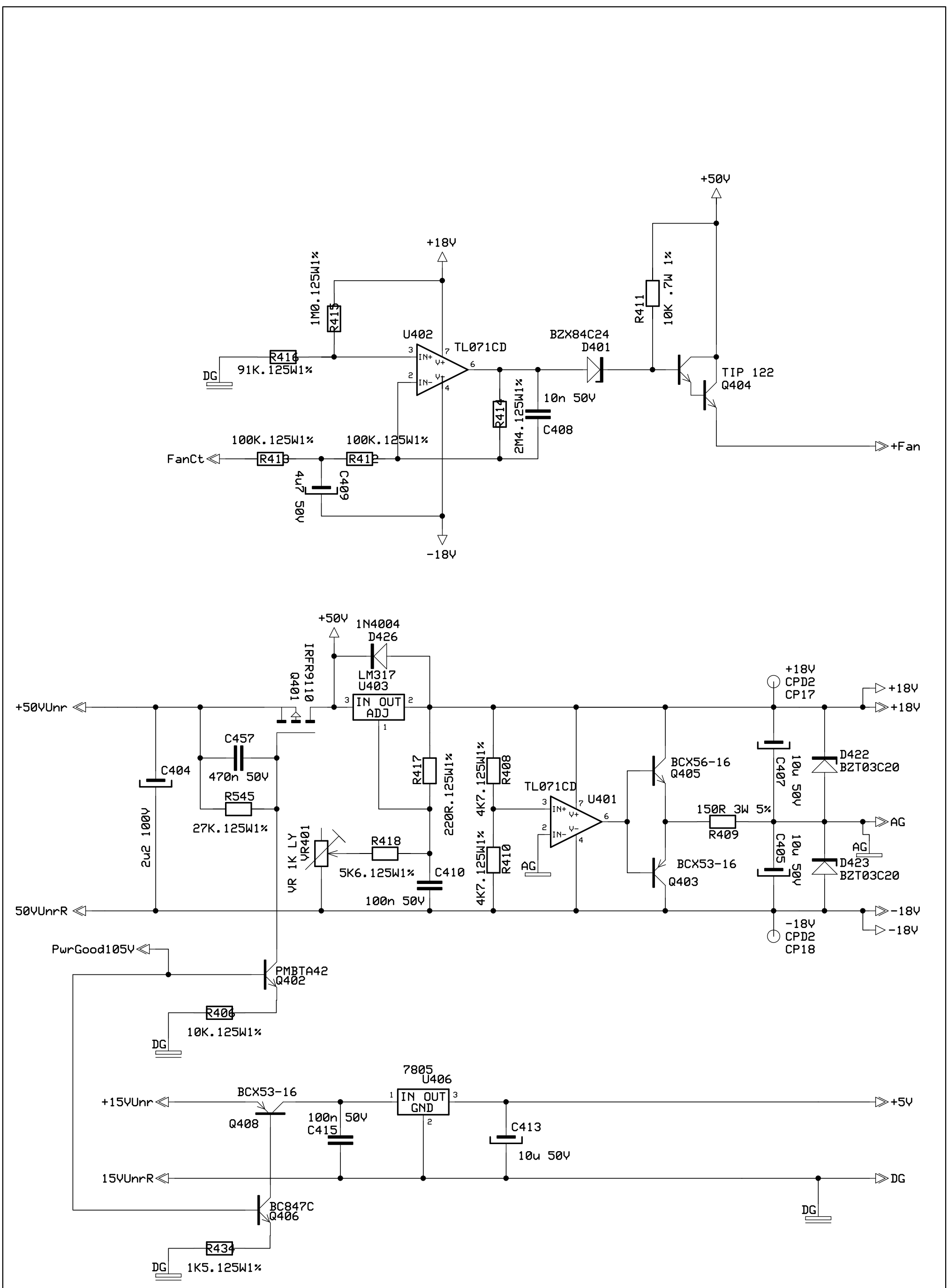
+18V <-> +18V  
 -18V <-> -18V  
 +5V <-> +5V

DESIGN	DRAWN	CHECKED	REPLACES	REPLACED BY
LABGRUPPEN KUNGSBACKA SWEDEN			AIG2B	
Analogue input & Gain			DATE	PAGE
			DRAWING NO	

+18V <-> +18V  
 -18V <-> -18V  
 +5V <-> +5V

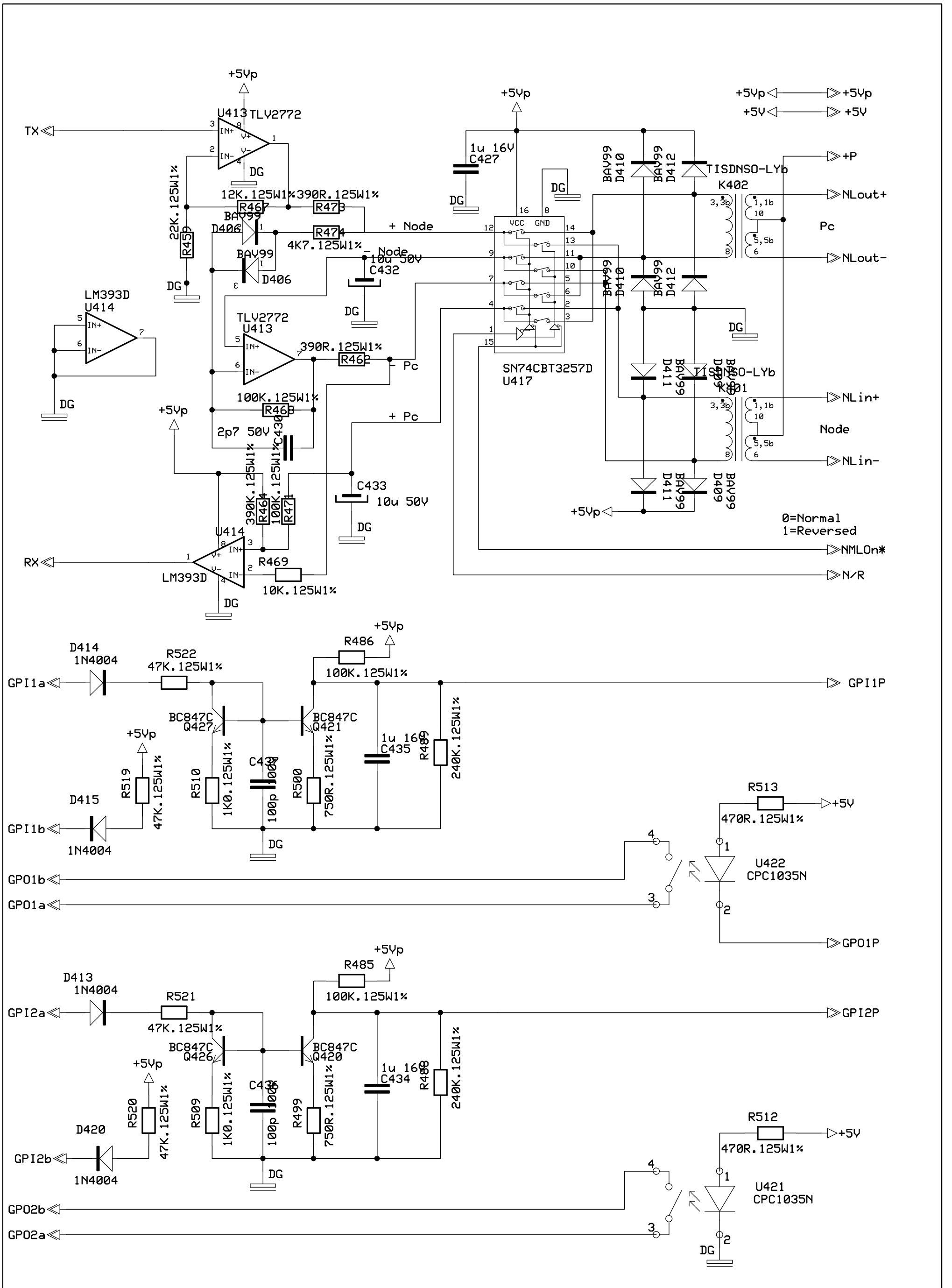


DESIGN	DRAWN	CHECKED	REPLACES	REPLACED BY
LABGRUPPEN KUNGSBACKA SWEDEN			DATE	PAGE
AIG2B			Analogue input & Gain	
			DRAWING NO	

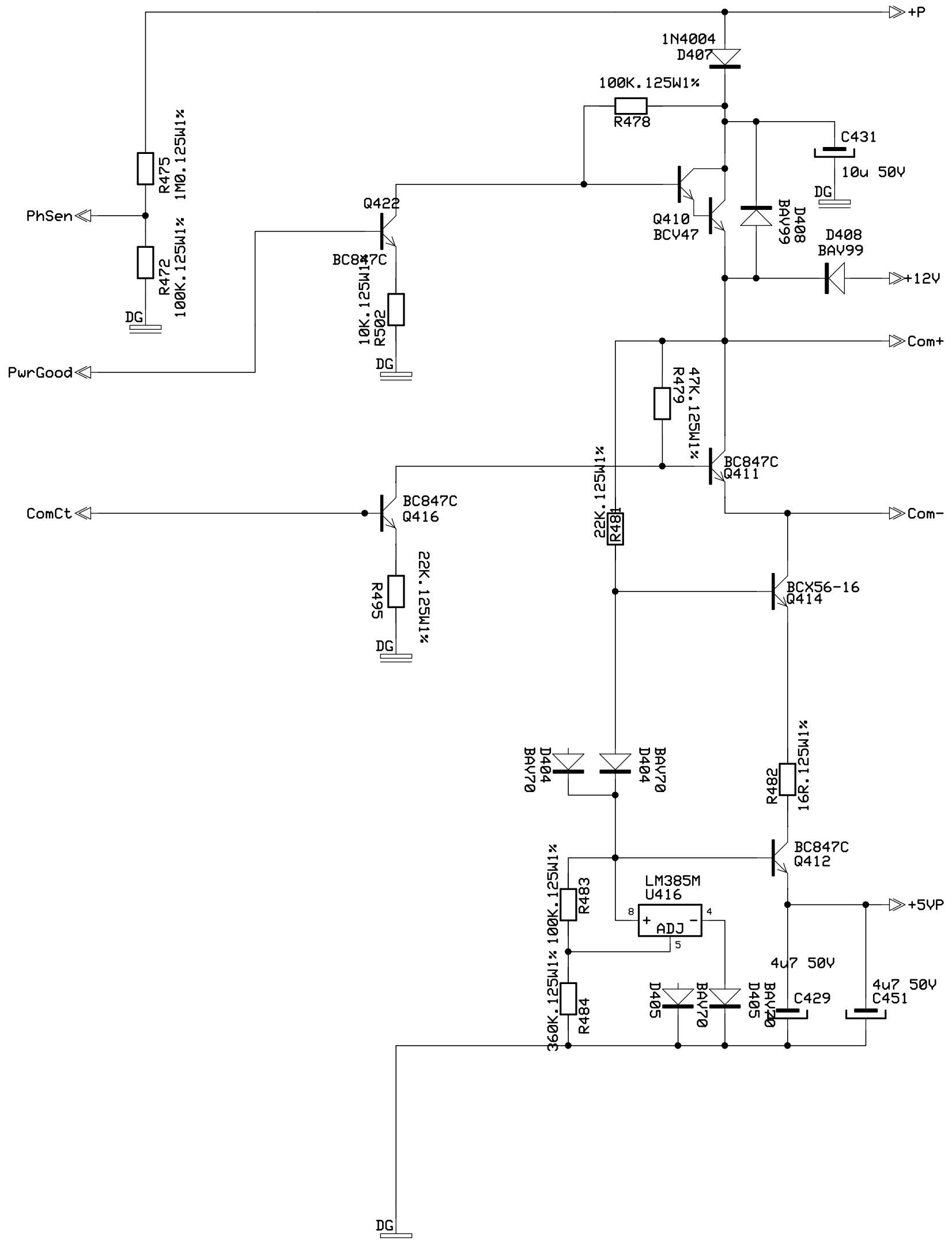


DESIGN KA	DRAWN	CHECKED	<b>LVPsB</b>	REPLACES	REPLACED BY	
<b>LABGRUPPEN</b> KUNGSBACKA SWEDEN				Low voltage power supply type1		DATE
						DRAWING NO





DESIGN	DRAWN	CHECKED	<b>NLIB/GPIO</b>	REPLACES	REPLACED BY
<b>LABGRUPPEN</b> KUNGSBACKA SWEDEN				Nomad link and GPI interface	
			DATE	PAGE	
				DRAWING NO	

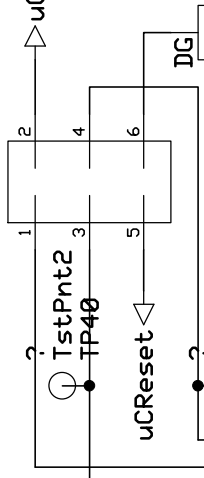


DESIGN KA	DRAWN	CHECKED	<b>NLIPs</b>	REPLACES	REPLACED BY	
<b>LABGRUPPEN</b> KUNGSBACKA SWEDEN				Nomad Link Interface Power Supply		DATE
						DRAWING NO



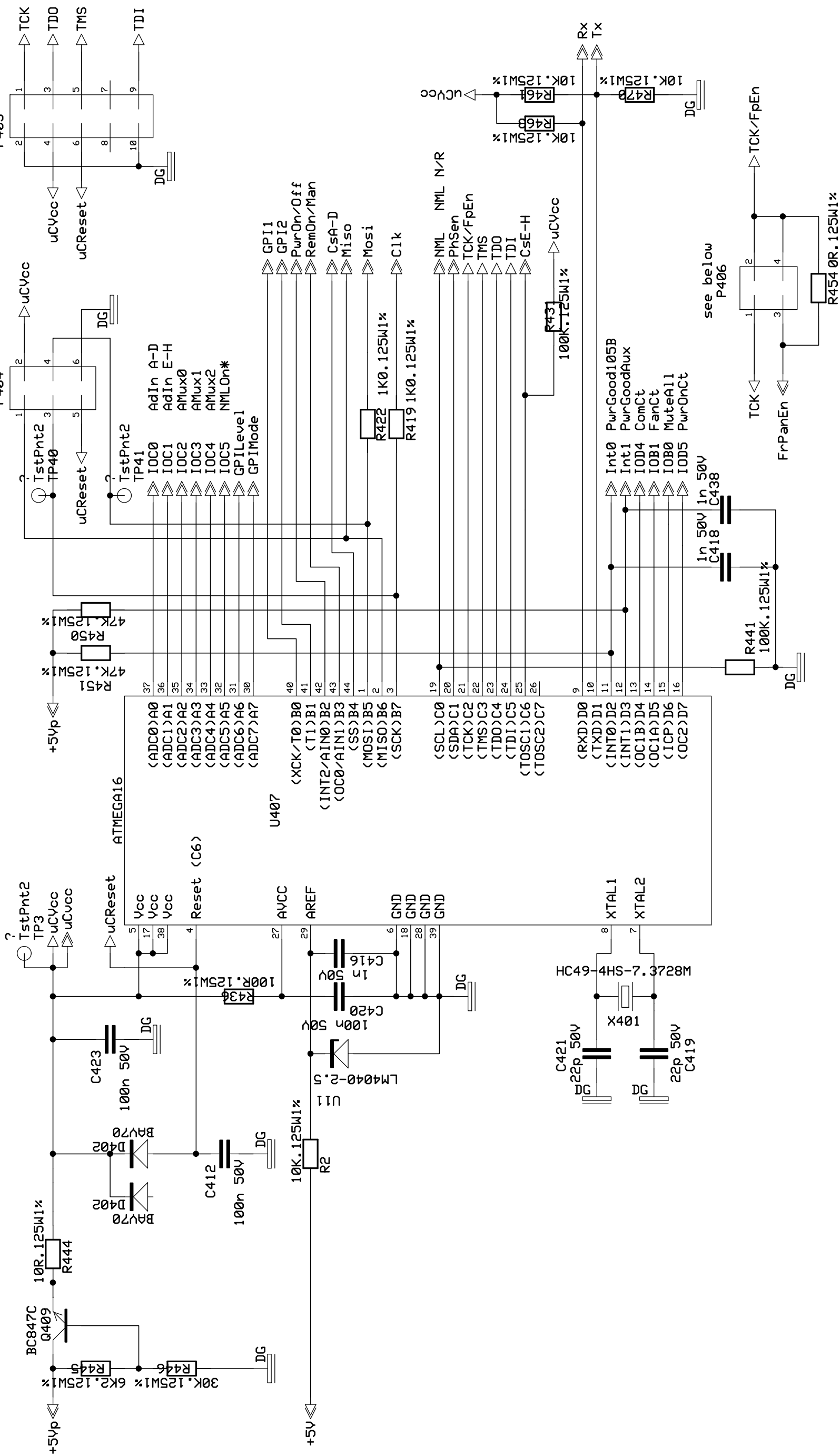
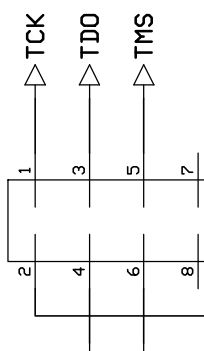
### ISP Port

PH2x31M  
P404



### JTAG Port

see below  
P405



DESIGN	DRAWN	CHECKED	REPLACES	REPLACED BY
LABGRUPPEN			UPcB	
KUNGSBACKA SWEDEN			DATE	PAGE
			DRAWING NO	UPcB01
Micro Processor unit typeB				