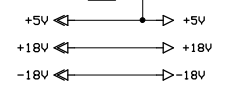
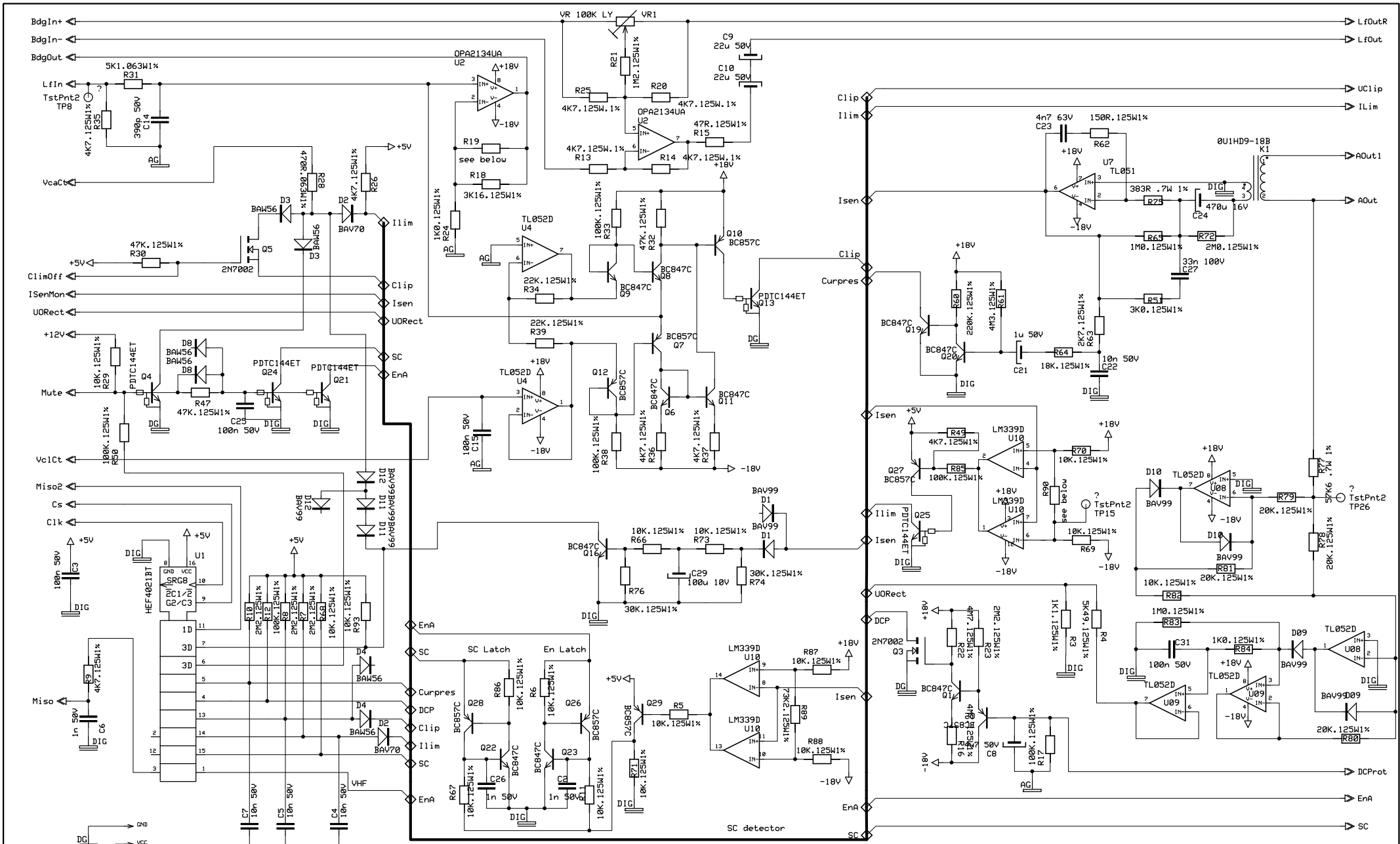
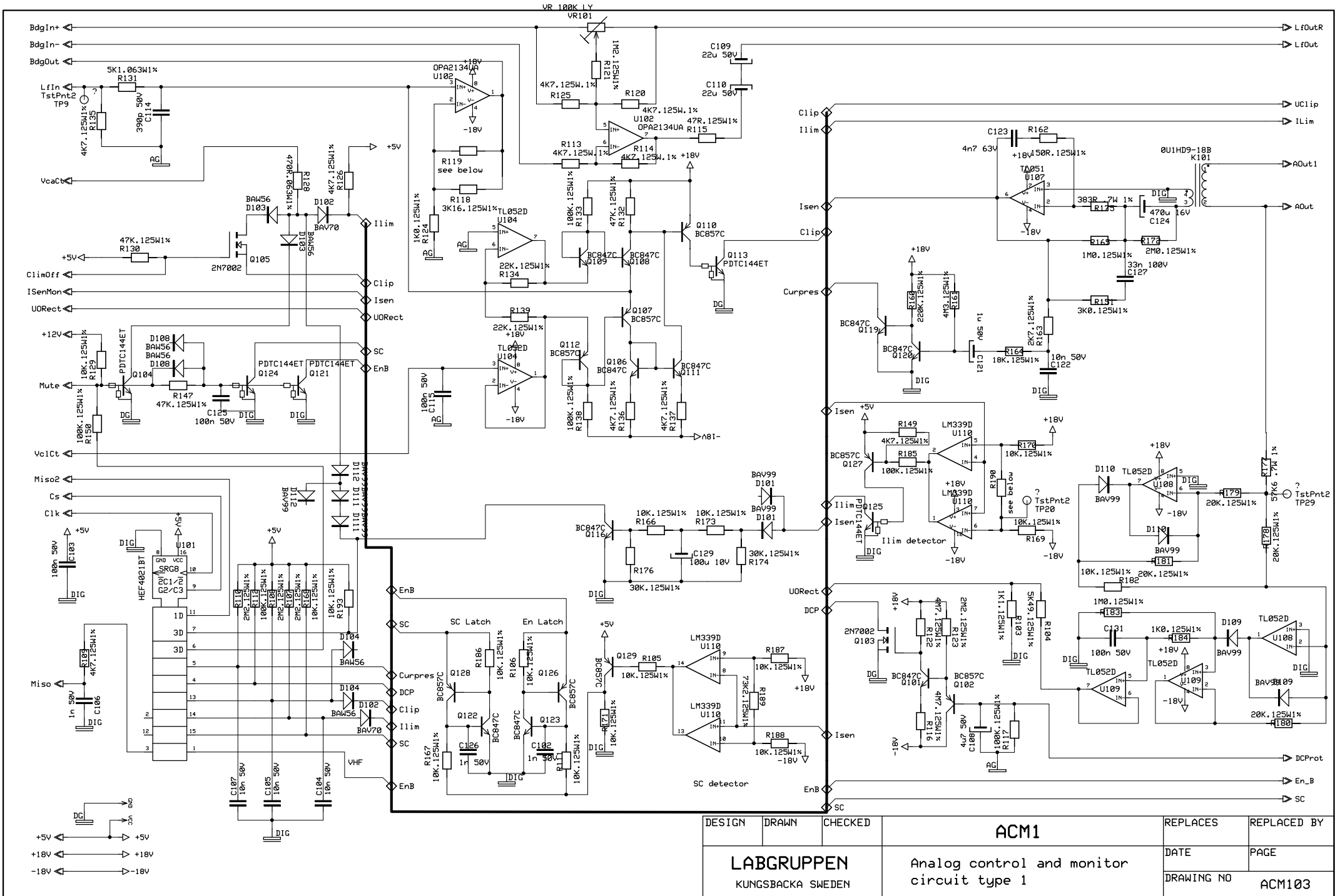


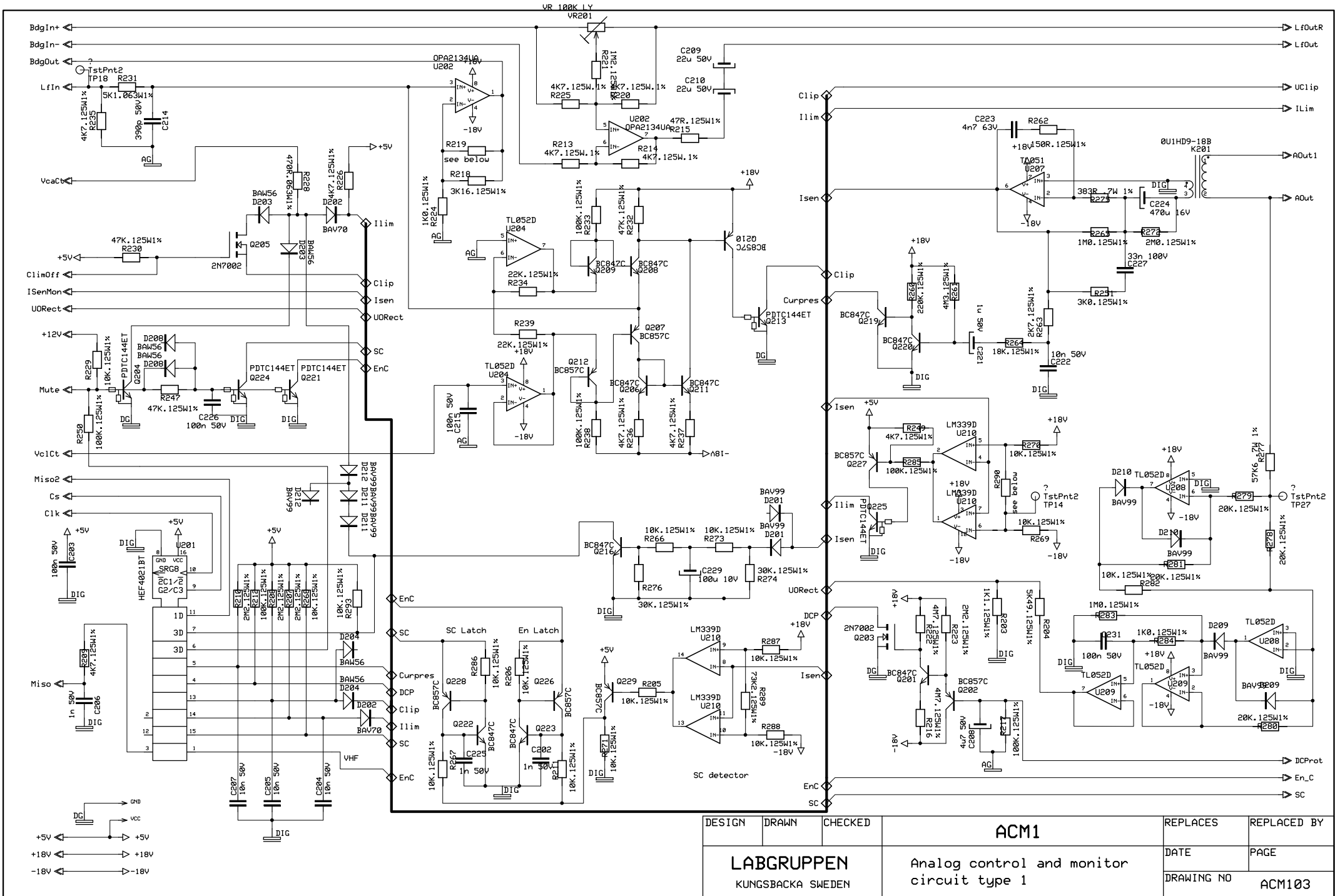
DESIGN	DRAWN	CHECKED	AIC04b		REPLACES	REPLACED BY
KA	AM				140319	ME
LABGRUPPEN			Analog Input, Control and Output		DATE	PAGE
KUNGSBACKA SWEDEN			4 channels type b		171207	
					DRAWING NO	AIC04B10b



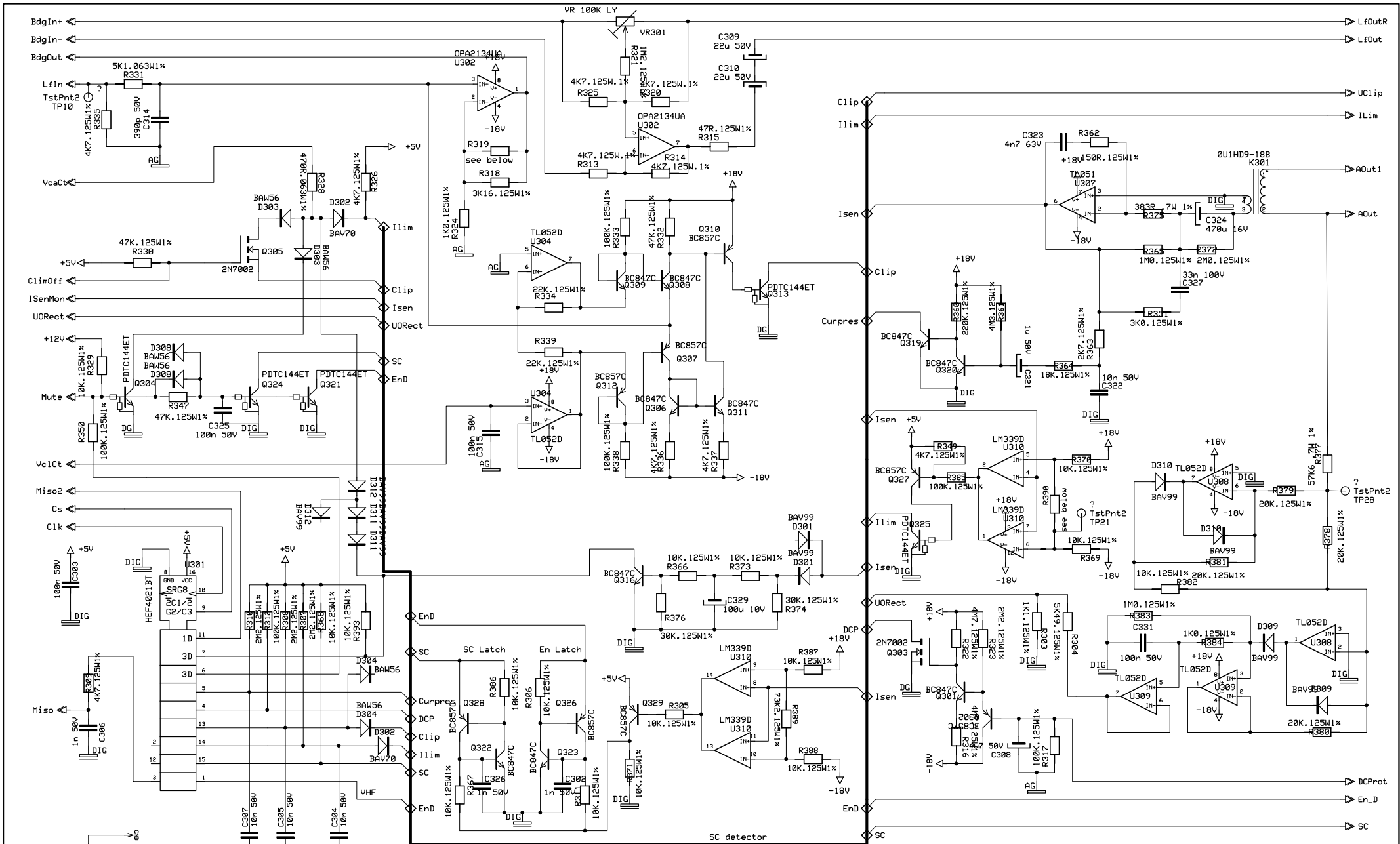
DESIGN	DRAWN	CHECKED	ACM1	REPLACES	REPLACED BY
LABGRUPPEN				DATE	PAGE
KUNGSBACKA SWEDEN			Analog control and monitor circuit type 1		DRAWING NO ACM103



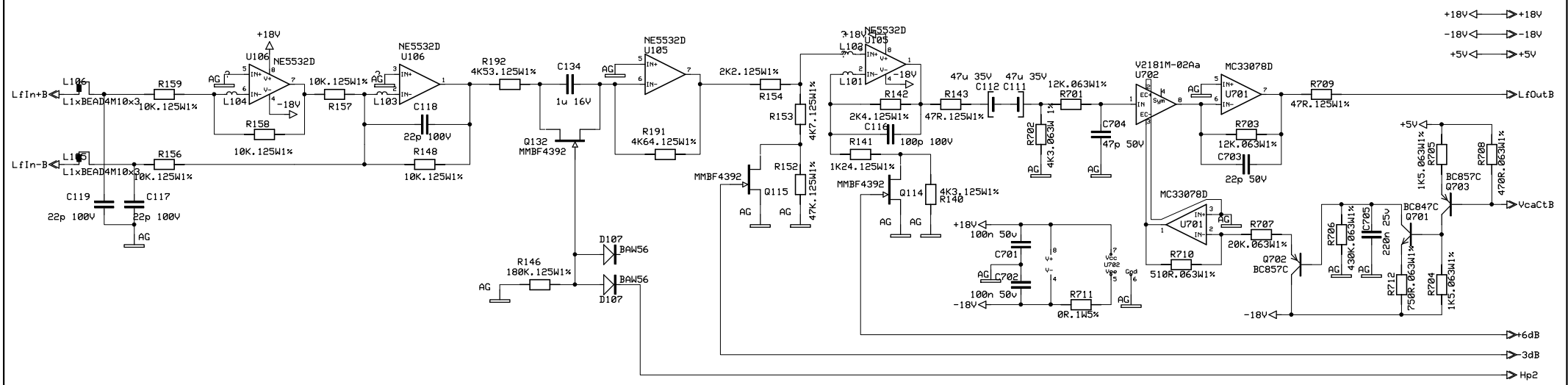
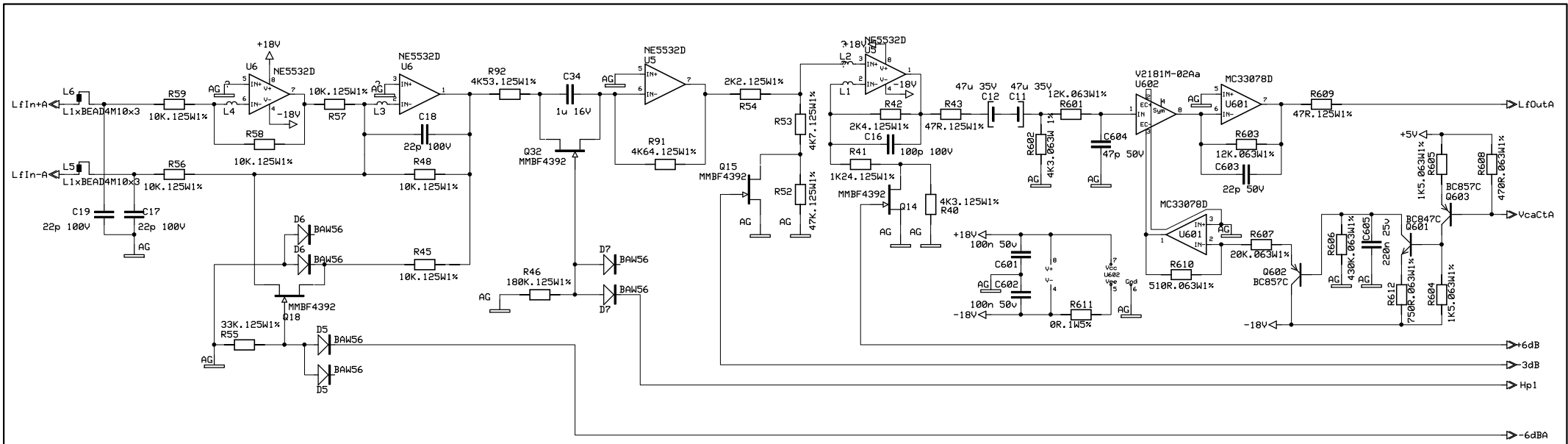
DESIGN	DRAWN	CHECKED	ACM1		REPLACES	REPLACED BY
LABGRUPPEN KUNGSBACKA SWEDEN			Analog control and monitor circuit type 1		DATE	PAGE
					DRAWING NO	ACM103



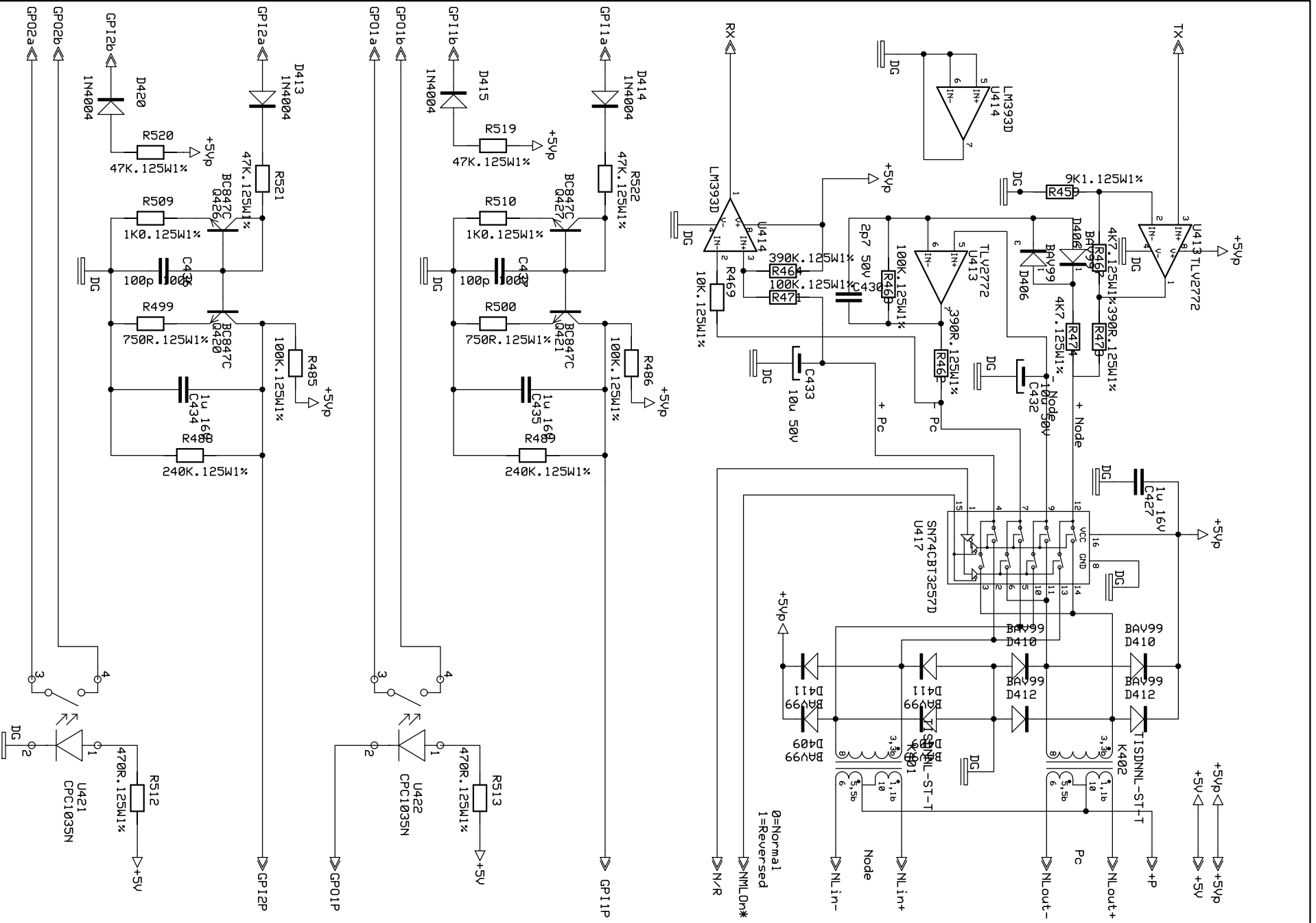
DESIGN	DRAWN	CHECKED	ACM1	REPLACES	REPLACED BY
LABGRUPPEN KUNGSBACKA SWEDEN				Analog control and monitor circuit type 1	DATE
				DRAWING NO	ACM103



DESIGN	DRAWN	CHECKED	ACM1	REPLACES	REPLACED BY
LABGRUPPEN KUNGSBACKA SWEDEN				Analog control and monitor circuit type 1	DATE
				DRAWING NO	ACM103



DESIGN	DRAWN	CHECKED	AIG2B	REPLACES	REPLACED BY
LABGRUPPEN				DATE	PAGE
KUNGSBACKA SWEDEN			Analogue input & Gain	DRAWING NO	

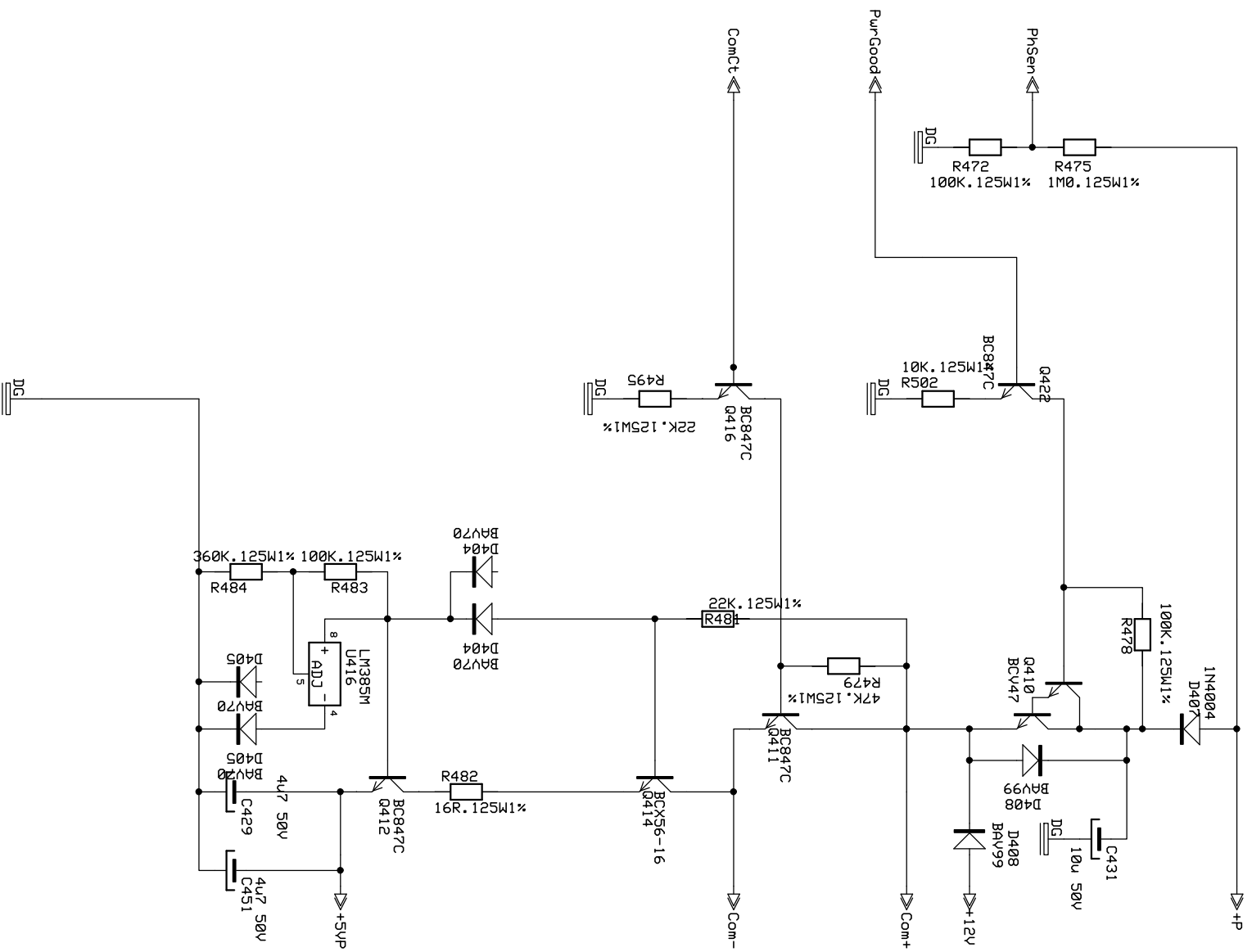


DESIGN DRAWING NO
LABGRUPPEN
 KUNGSBACKA SWEDEN

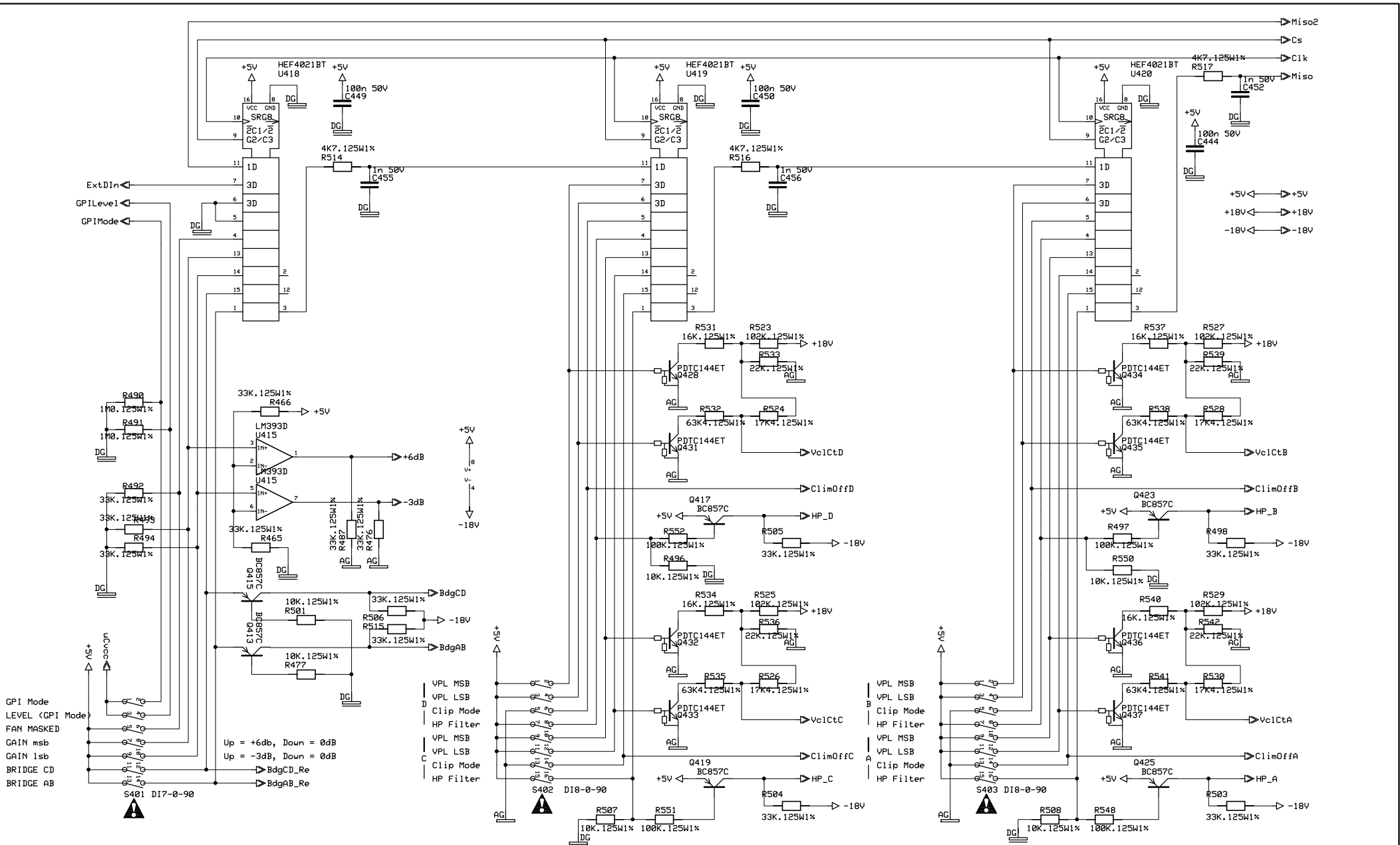
CHECKED
NLIB/GPIO
 Nomad link and GPI interface

REPLACES
 DATE
 DRAWING NO

REPLACED BY
 PAGE



DESIGN	DRAWN	CHECKED	REPLACES		REPLACED BY
KA			NLIPS		
LABGRUPPEN			Nomad Link Interface Power Supply		
KUNGSBACKA SWEDEN			DATE	PAGE	
			DRAWING NO		NLIP501



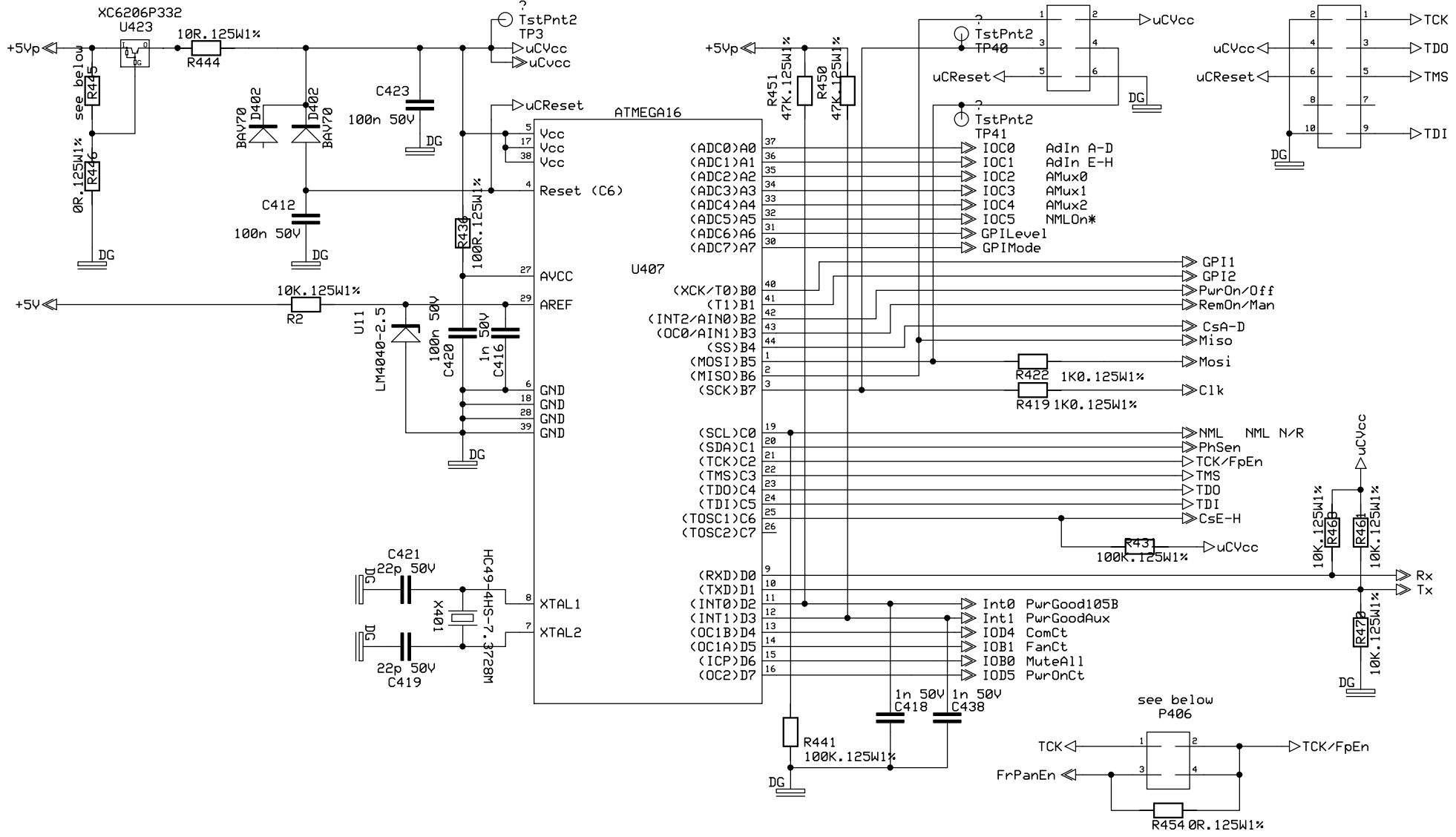
GPI Mode
 LEVEL (GPI Mode)
 FAN MASKED
 GAIN msb
 GAIN lsb
 BRIDGE CD
 BRIDGE AB

Up = +6db, Down = 0db
 Up = -3db, Down = 0db

Vp1 MSB
 Vp1 LSB
 Clip Mode
 HP Filter
 Vp1 MSB
 Vp1 LSB
 Clip Mode
 HP Filter

Vp1 MSB
 Vp1 LSB
 Clip Mode
 HP Filter
 Vp1 MSB
 Vp1 LSB
 Clip Mode
 HP Filter

DESIGN	DRAWN	CHECKED	PGSW_4CH	REPLACES	REPLACED BY
LABGRUPPEN KUNGSBACKA SWEDEN				DATE	PAGE
			DRAWING NO		



DESIGN	DRAWN	CHECKED	UPcB	REPLACES	REPLACED BY
LABGRUPPEN KUNGSBACKA SWEDEN				DATE	PAGE
			Micro Processor unit typeB	DRAWING NO	
				UPcB01	