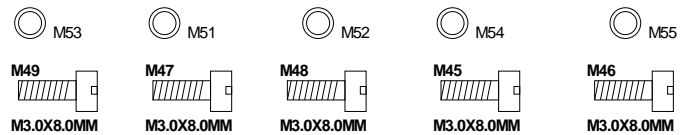
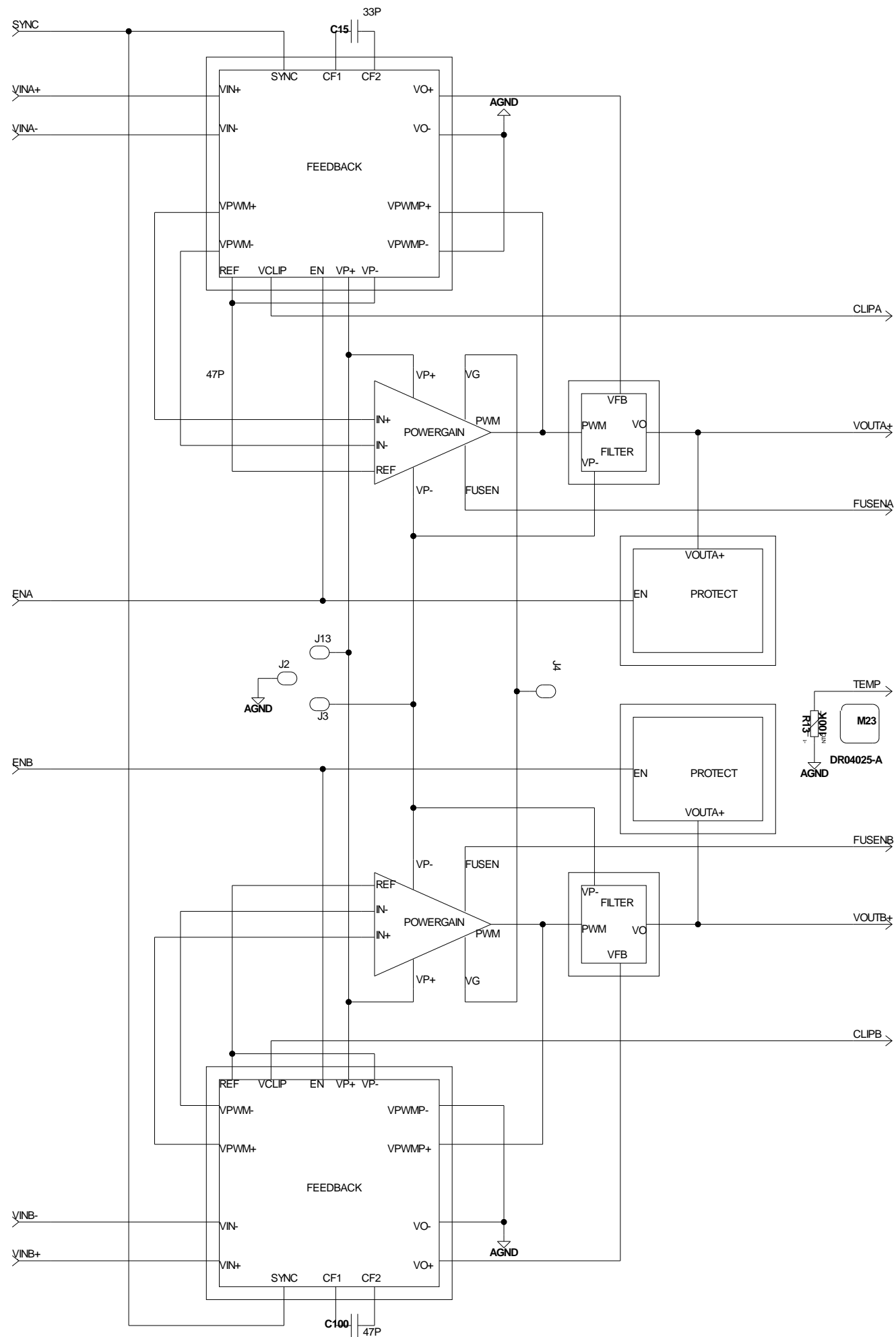


M50
DR04021-C

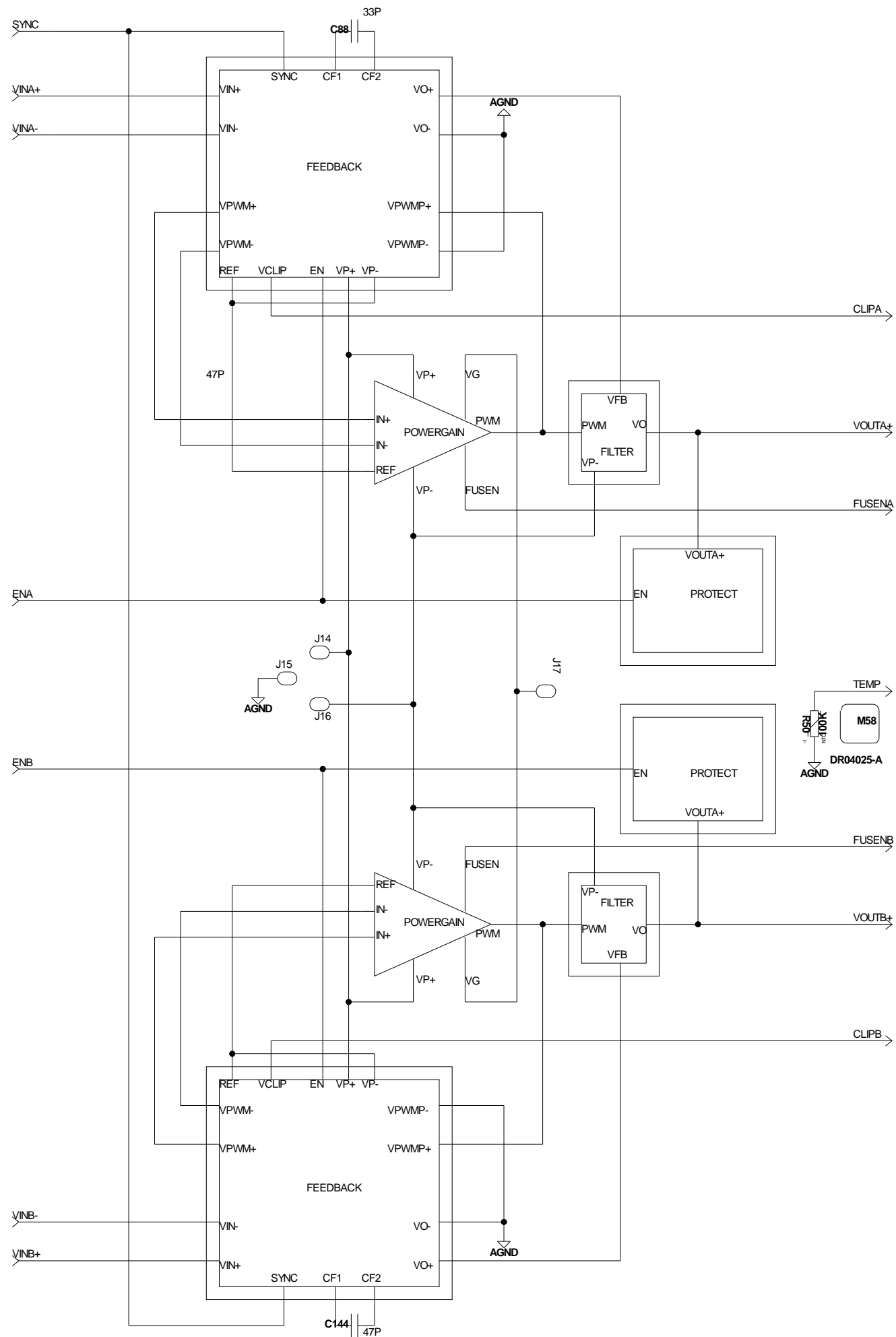
M56
P34001-F



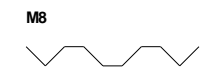
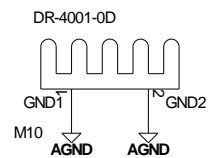
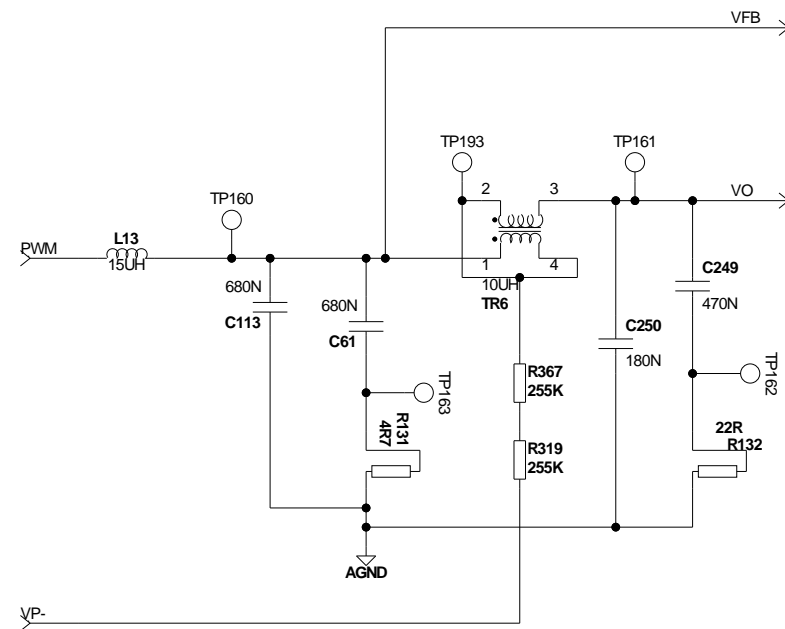
TC Electronic A/S		Designer
		TMF
Title P34 AMP		Module title TOP LEVEL
Number P34001	Revision FAA	Previous page XX
Date 3-23-2011 11:00	Filename P34001_F	Page / of XX / XX



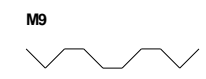
TC Electronic A/S		Designer DESIGNER
Title		Module title
NUMBER		MODULE TITLE
Revision	FAA	Previous page XX
Date	Filename AMP	Page / of 1 / 1
4-20-2010_15:41		



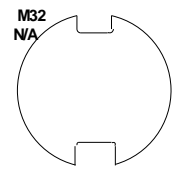
TC Electronic A/S Title		Designer
		DESIGNER
TITLE Module title		MODULE TITLE Previous page
Number NUMBER	Revision FAA	Page / of XX
Date 4-20-2010_15:41	Filename AMP	Page / of 1 / 1



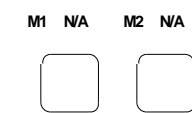
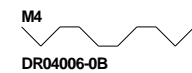
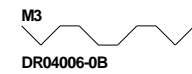
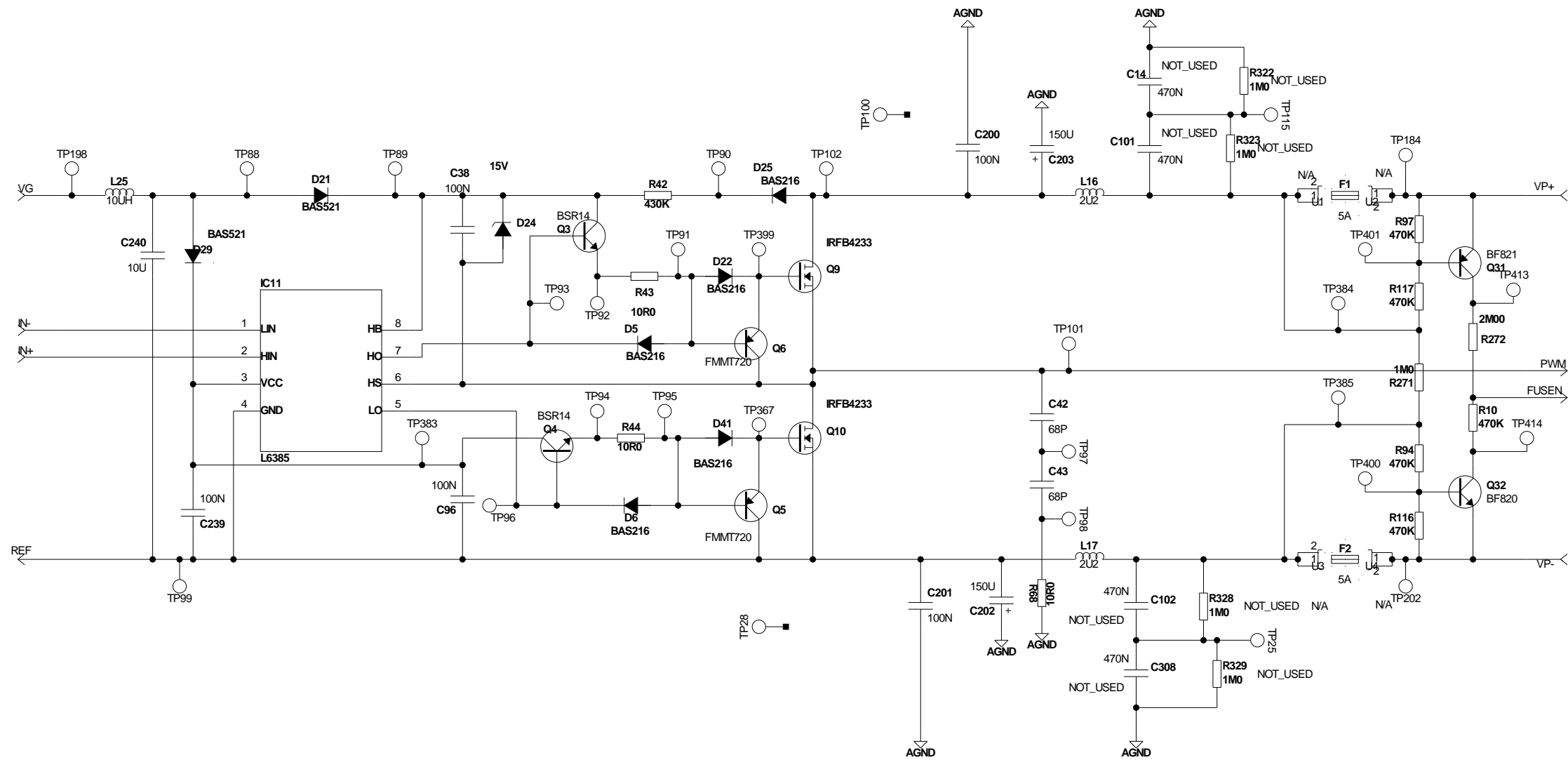
DR04006-0B



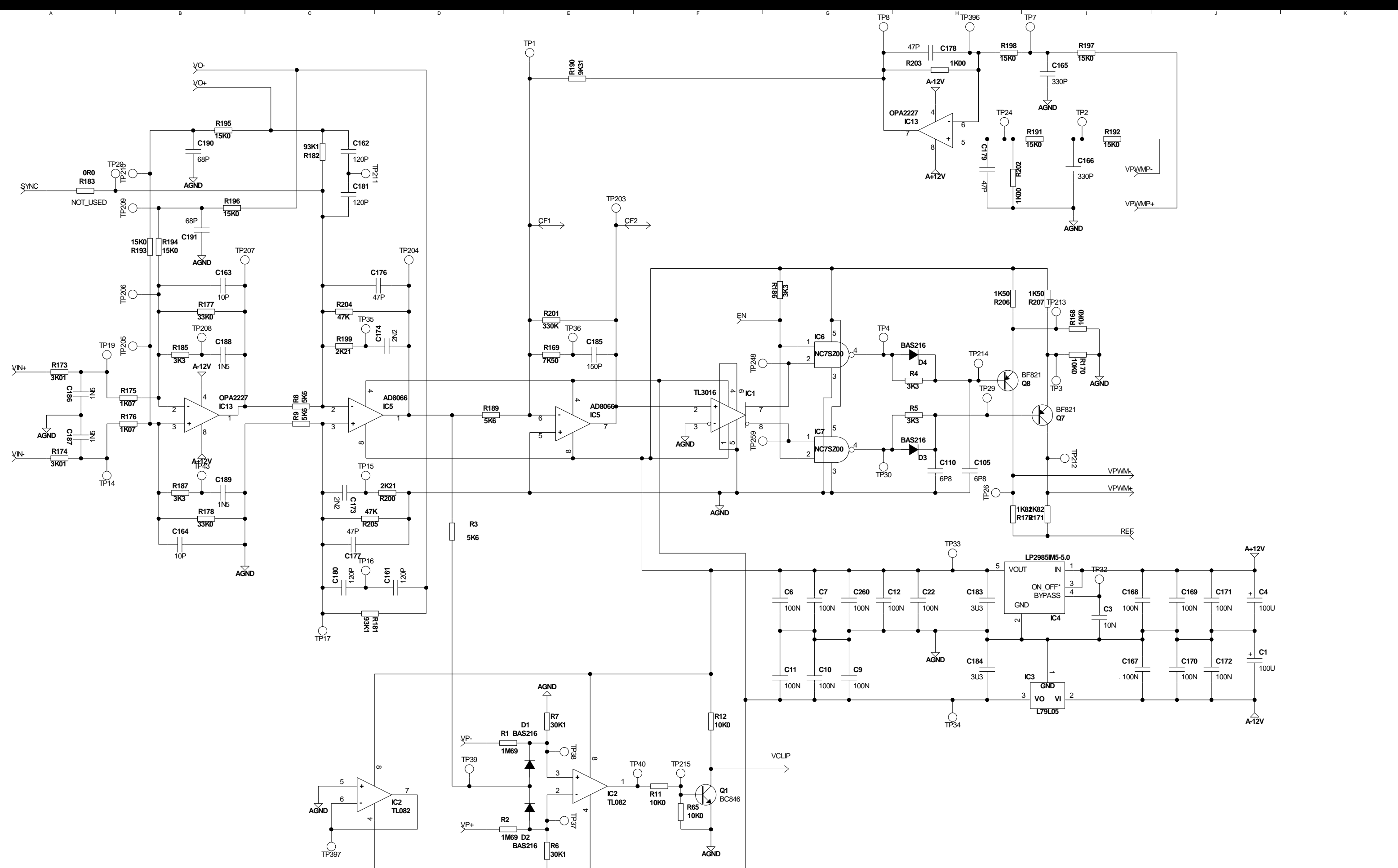
DR04006-0B



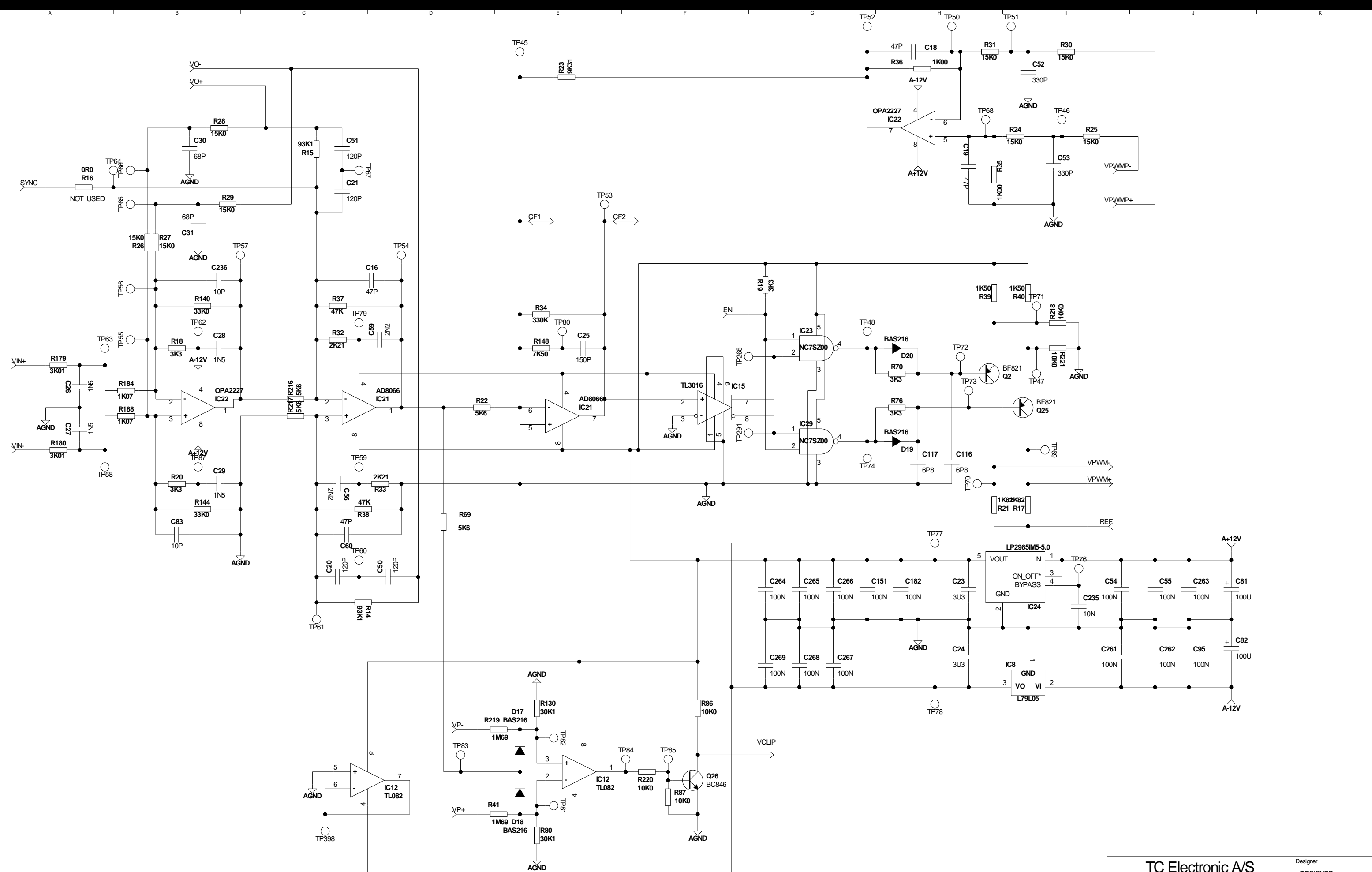
TC Electronic A/S		Designer DESIGNER
Title	Module title	
TITLE	MODULE TITLE	
Number	Revision	Previous page
NUMBER	FAA	XX
Date	Filename	Page / of
4-20-2010_15:41	FILTER	1 / 1



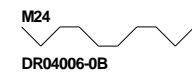
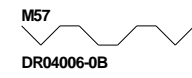
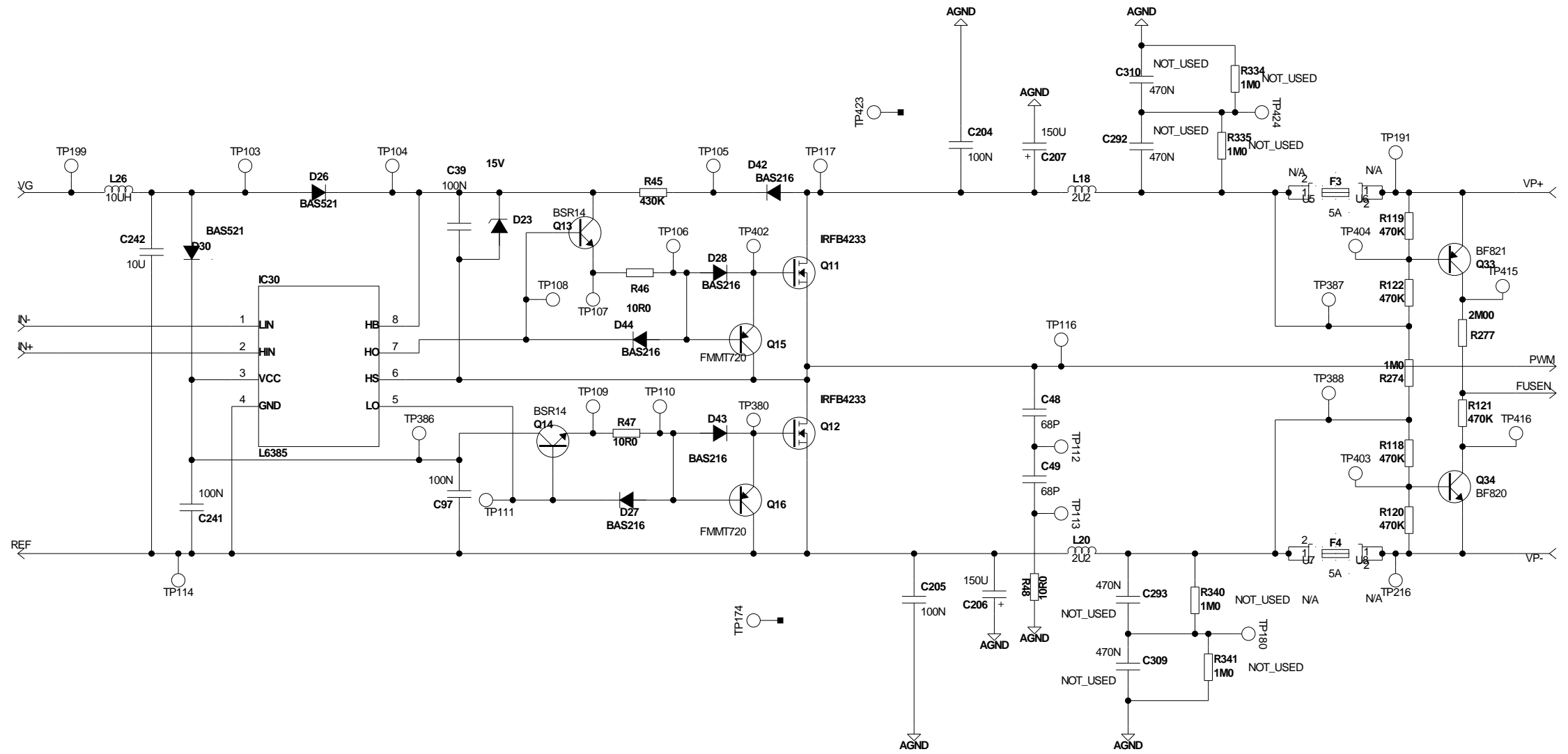
TC Electronic A/S		Designer DESIGNER
Title MODULE TITLE		Module title MODULE TITLE
Number NUMBER	Revision FAA	Previous page XX
Date 4-20-2010_15:41	Filename POWERGAIN	Page / of 1 / 1



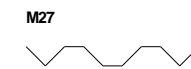
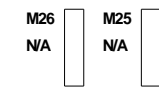
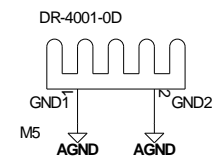
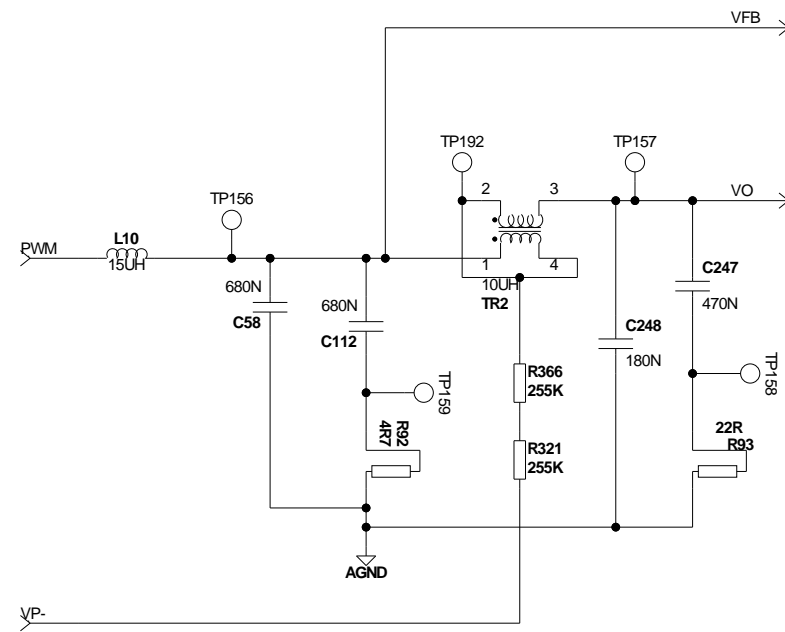
TC Electronic A/S		Designer DESIGNER
Title MODULE TITLE		Module title MODULE TITLE
Number NUMBER	Revision FAA	Previous page XX
Date 4-20-2010_15:41	Filename FEEDBACK	Page / of 1 / 1



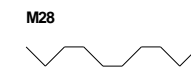
TC Electronic A/S		Designer DESIGNER
Title MODULE TITLE		Module title MODULE TITLE
Number NUMBER	Revision FAA	Previous page XX
Date 4-20-2010_15:41	Filename FEEDBACK	Page / of 1 / 1



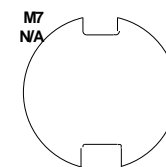
TC Electronic A/S		Designer DESIGNER
Title MODULE TITLE		Module title MODULE TITLE
Number NUMBER	Revision FAA	Previous page XX
Date 4-20-2010_15:41	Filename POWERGAIN	Page / of 1 / 1



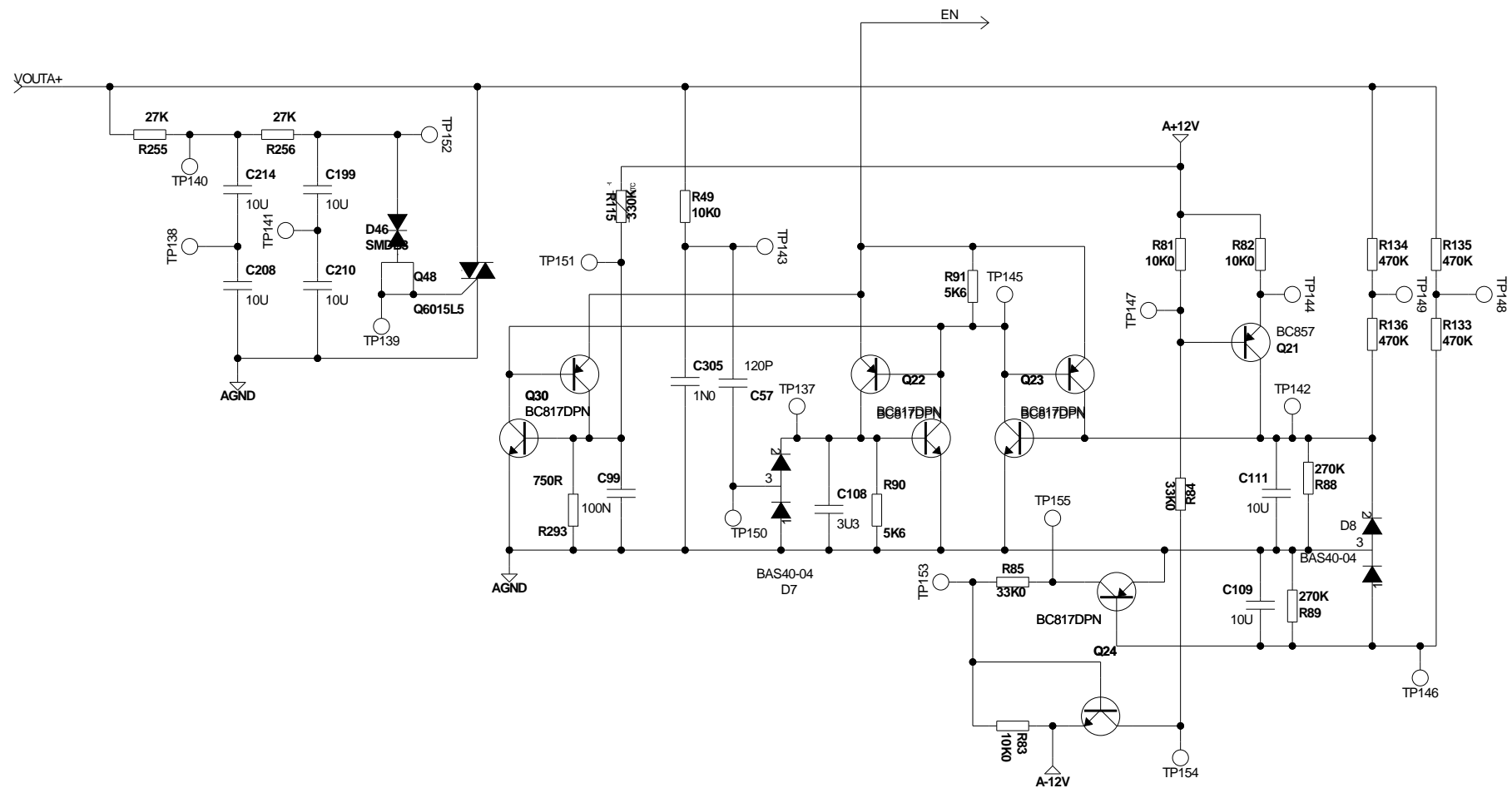
DR04006-0B



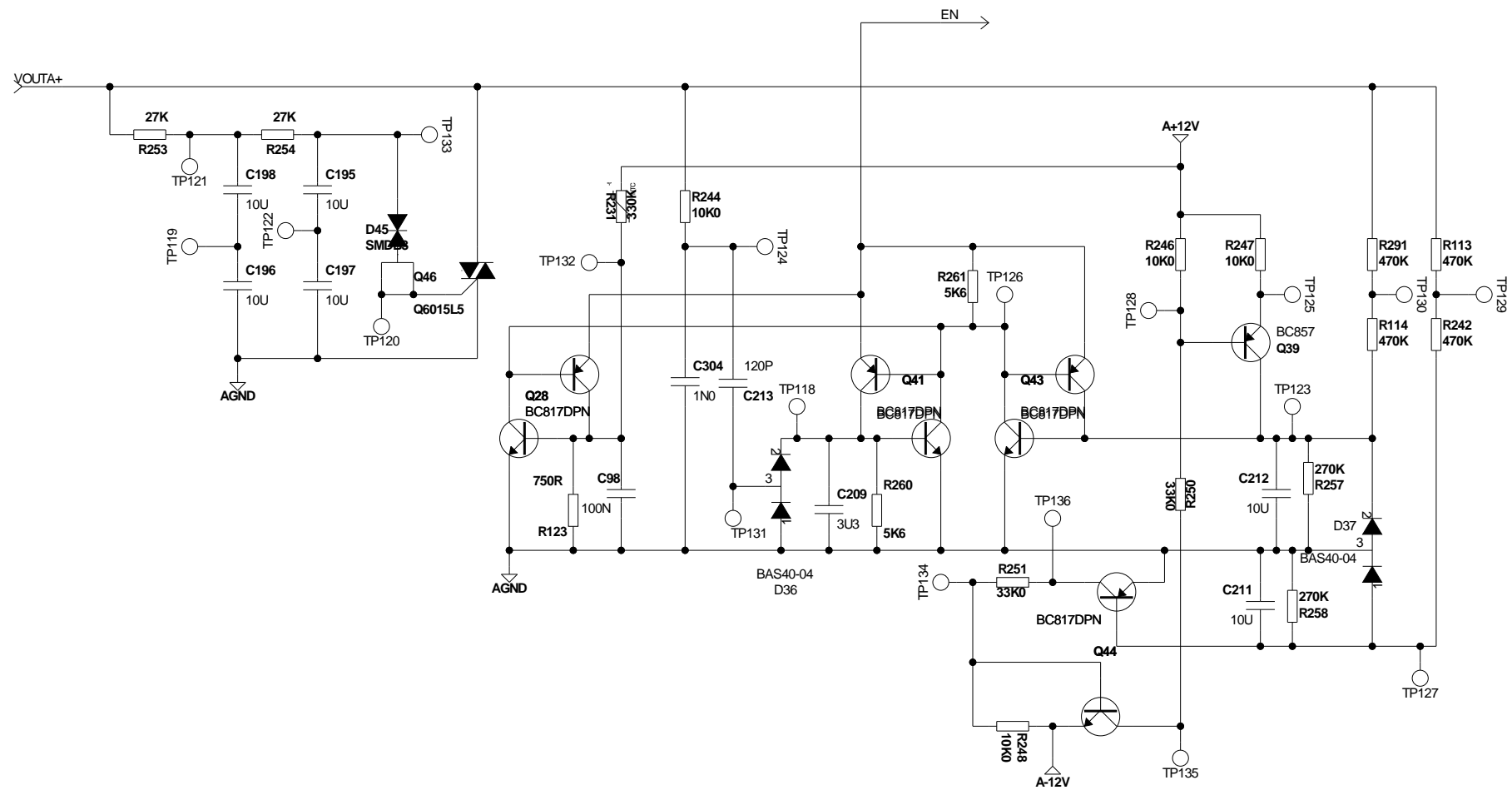
DR04006-0B



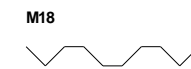
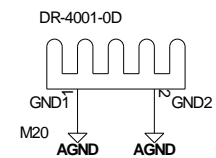
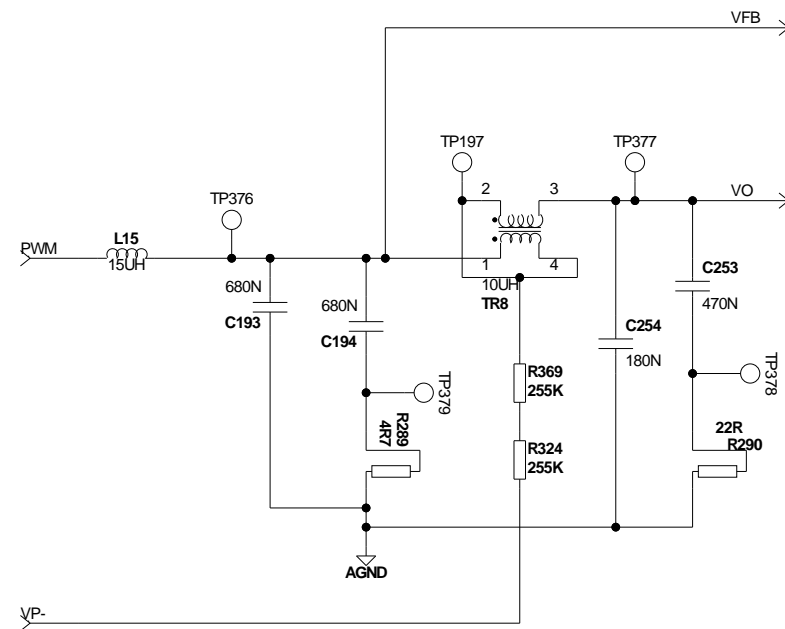
TC Electronic A/S		Designer DESIGNER
Title	Module title	
TITLE	MODULE TITLE	
Number	Revision	Previous page
NUMBER	FAA	XX
Date	Filename	Page / of
4-20-2010_15:41	FILTER	1 / 1



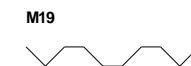
TC Electronic A/S		Designer DESIGNER
Title	Module title	
NUMBER	MODULE TITLE	
Revision	Previous page	XX
FAA	Page / of	1 / 1
Date	Filename	
4-20-2010_15:41	PROTECT	



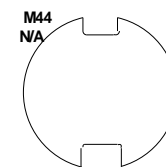
TC Electronic A/S		Designer DESIGNER
Title	Module title	
NUMBER	MODULE TITLE	
Revision	FAA	Previous page XX
Date	Filename PROTECT	Page / of 1 / 1
4-20-2010_15:41		



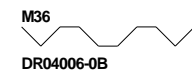
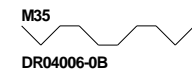
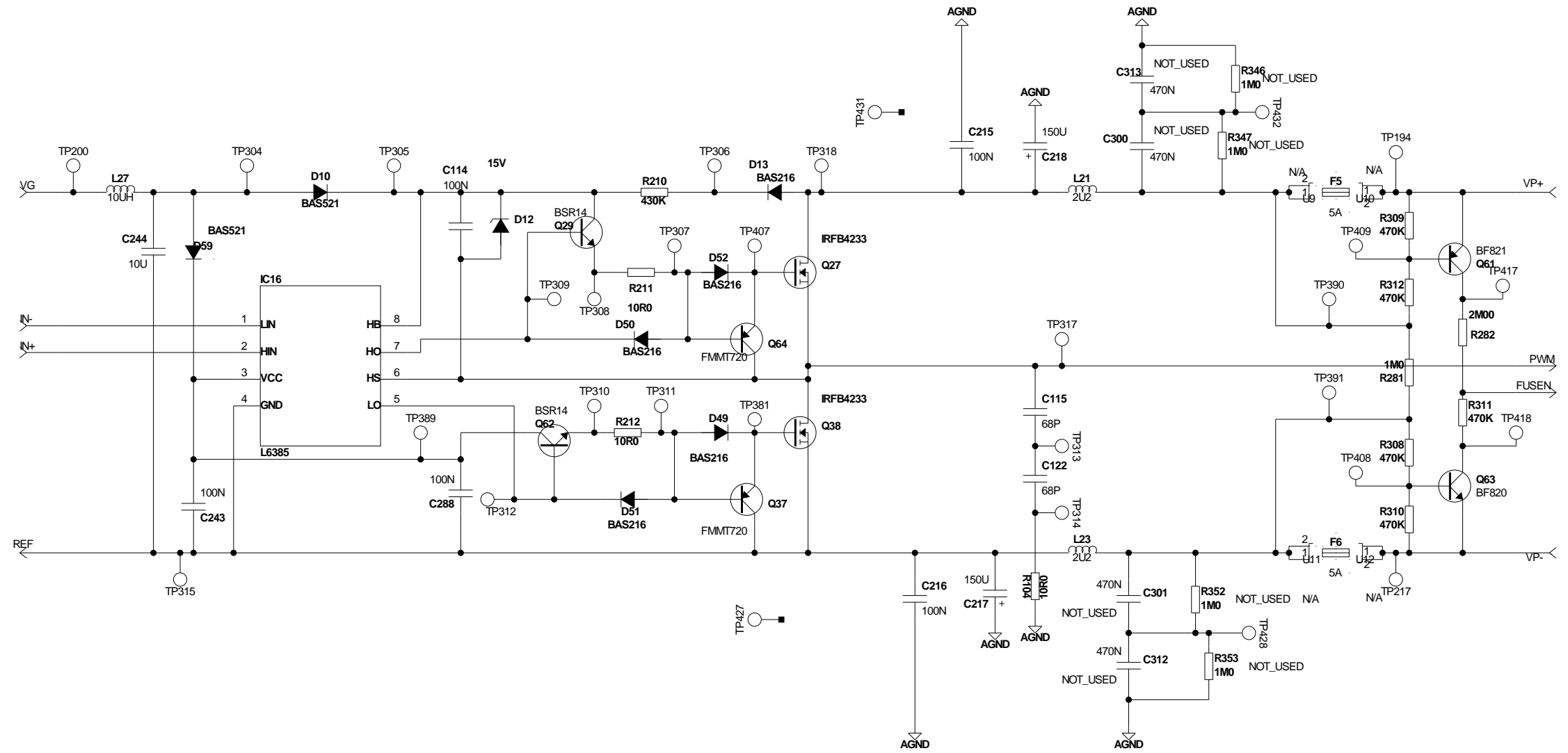
DR04006-0B



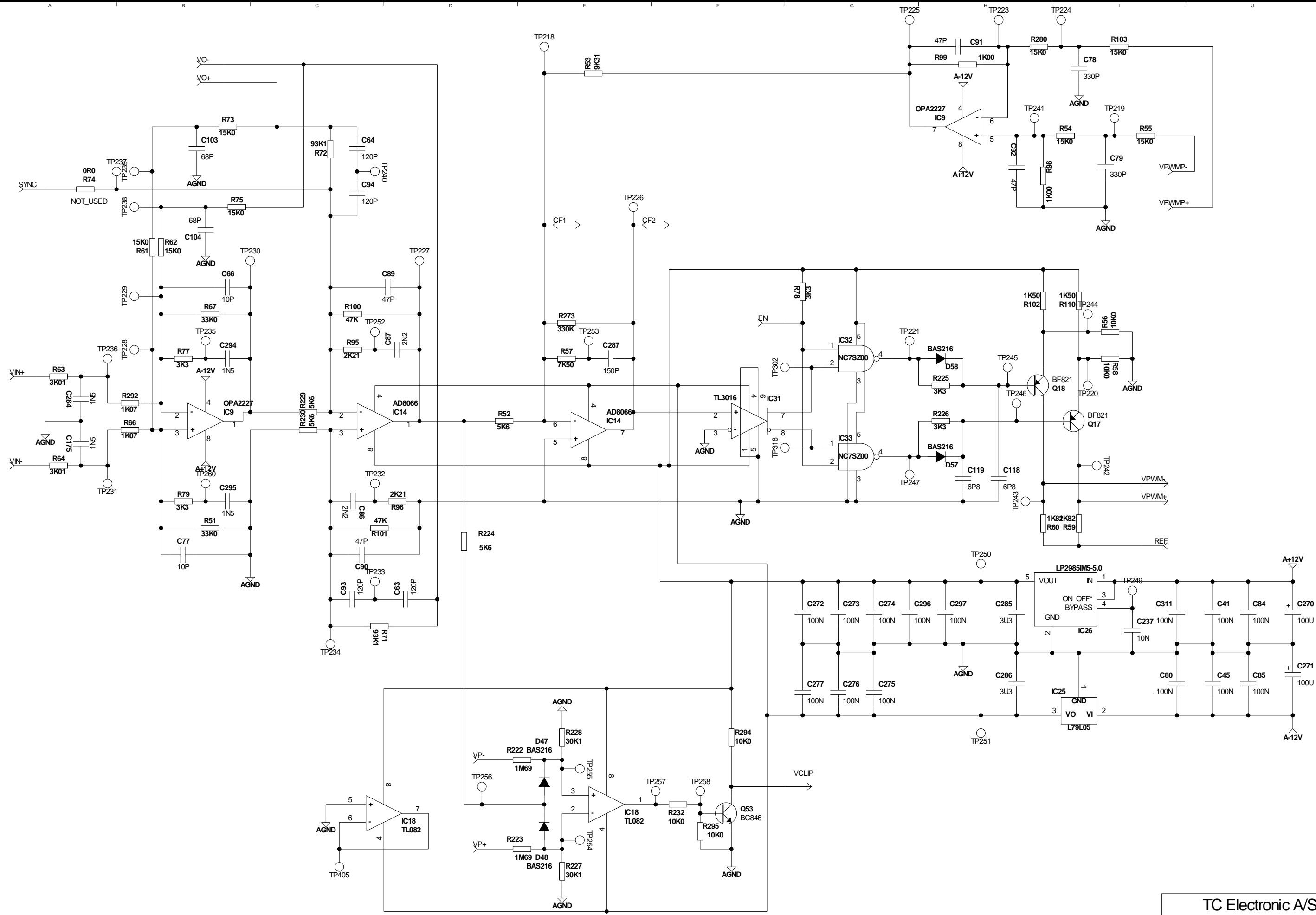
DR04006-0B



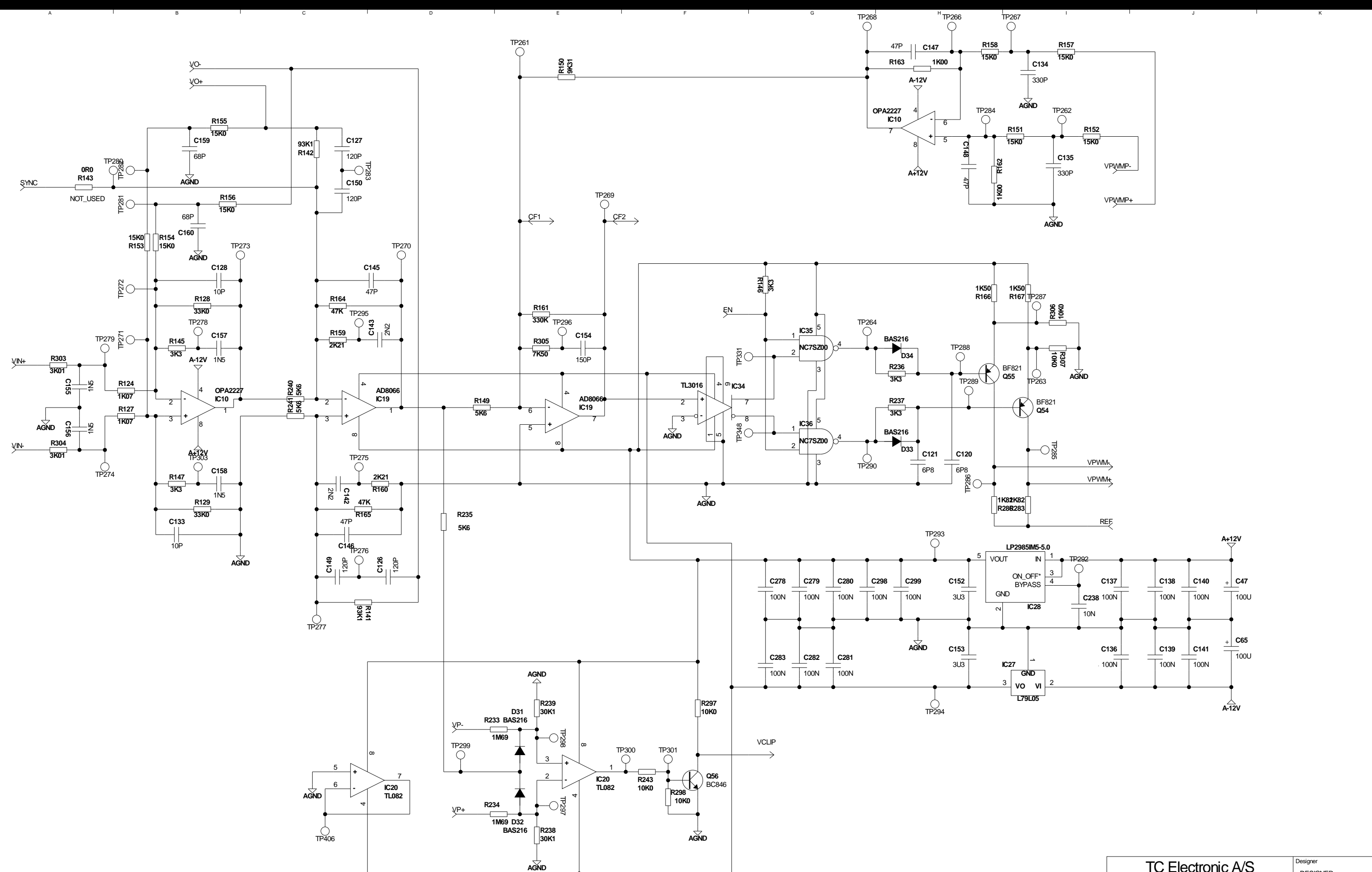
TC Electronic A/S		Designer DESIGNER
Title	Module title	
TITLE	MODULE TITLE	
Number	Revision	Previous page
NUMBER	FAA	XX
Date	Filename	Page / of
4-20-2010_15:41	FILTER	1 / 1



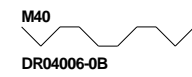
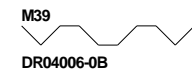
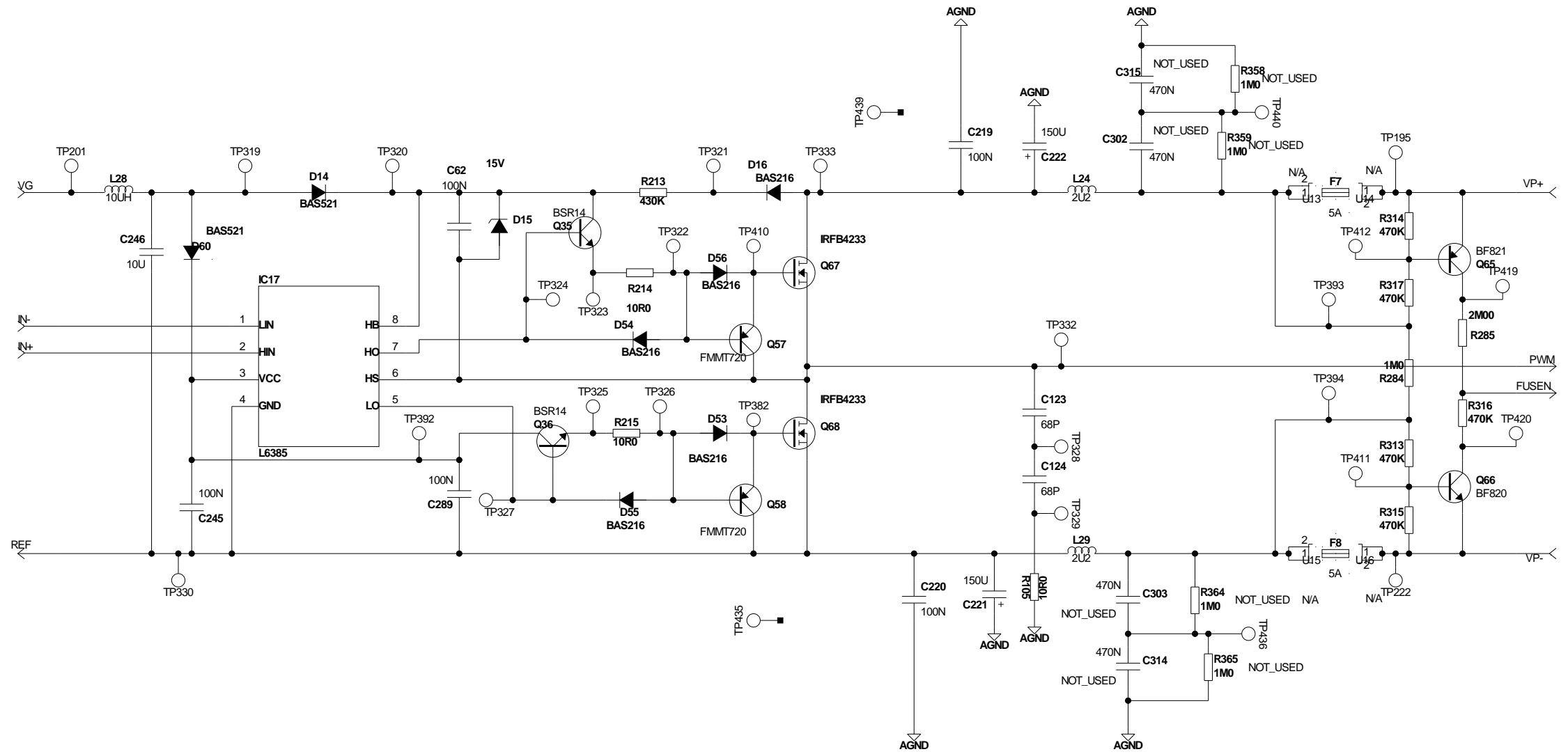
TC Electronic A/S		Designer DESIGNER
Title MODULE TITLE		Module title MODULE TITLE
Number NUMBER	Revision FAA	Previous page XX
Date 4-20-2010_15:41	Filename POWERGAIN	Page / of 1 / 1



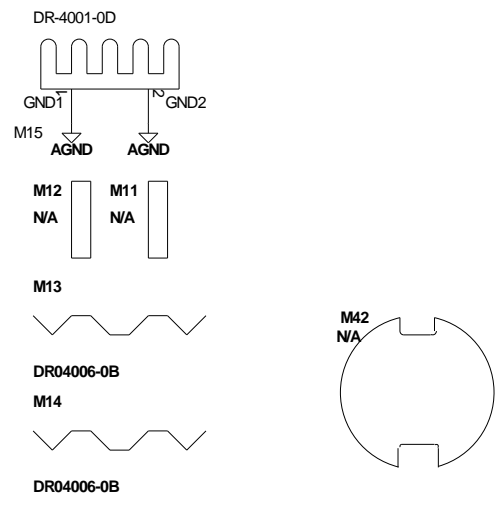
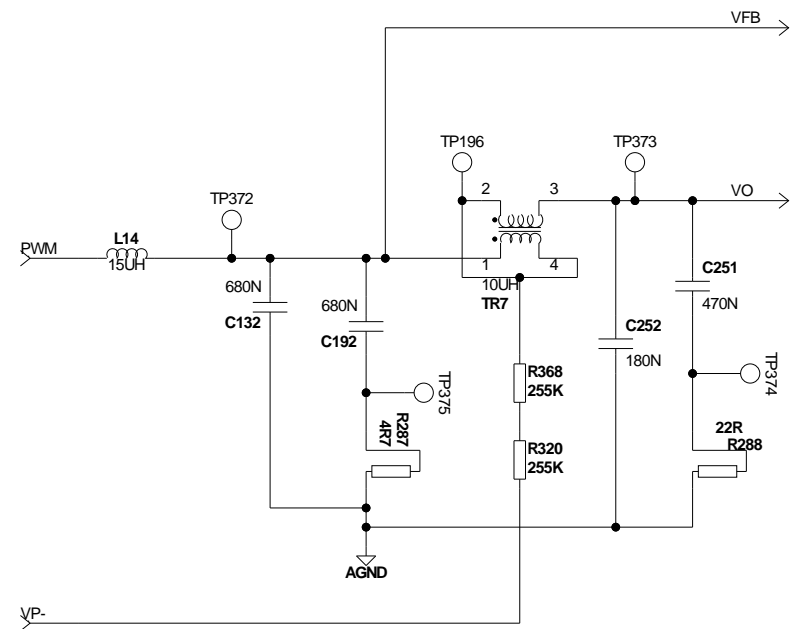
TC Electronic A/S		Designer DESIGNER
Title MODULE TITLE		Module title MODULE TITLE
Number NUMBER	Revision FAA	Previous page XX
Date 4-20-2010_15:41	Filename FEEDBACK	Page / of 1 / 1



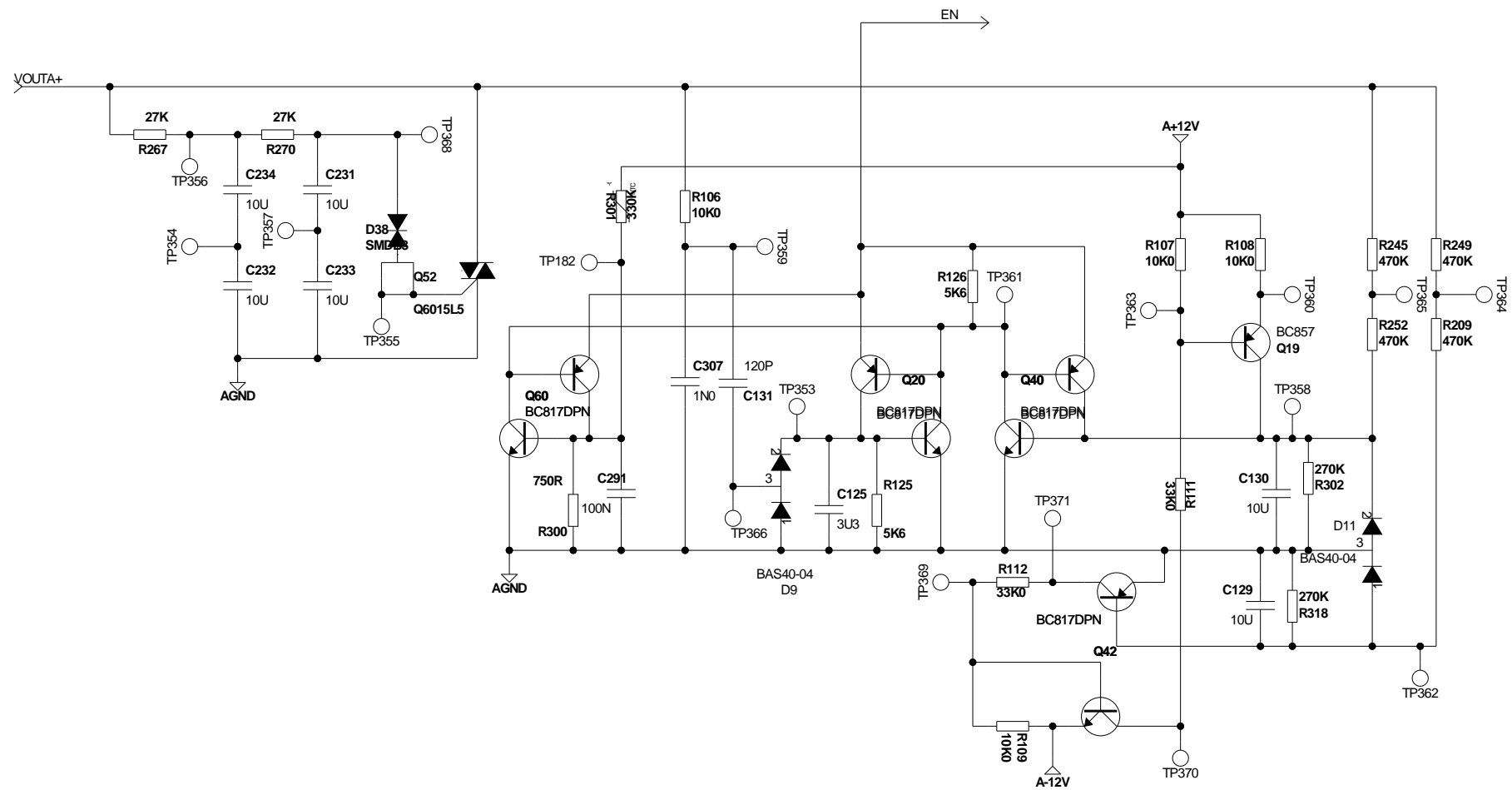
TC Electronic A/S		Designer DESIGNER
Title MODULE TITLE		Module title MODULE TITLE
Number NUMBER	Revision FAA	Previous page XX
Date 4-20-2010_15:41	Filename FEEDBACK	Page / of 1 / 1



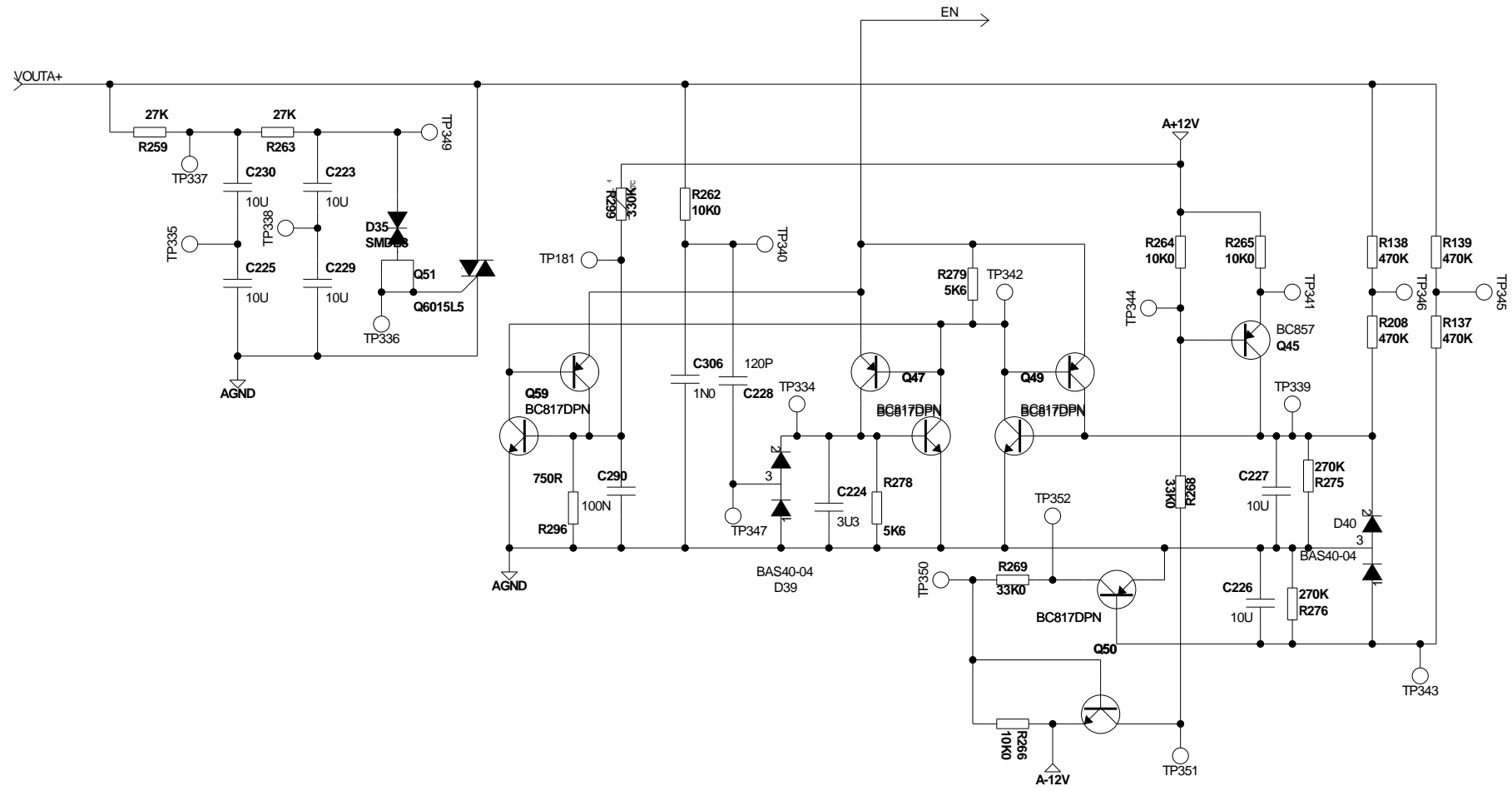
TC Electronic A/S		Designer DESIGNER
Title MODULE TITLE		Module title MODULE TITLE
Number NUMBER	Revision FAA	Previous page XX
Date 4-20-2010_15:41	Filename POWERGAIN	Page / of 1 / 1



TC Electronic A/S		Designer DESIGNER
Title	Module title	
NUMBER	Revision FAA	Previous page XX
Date 4-20-2010_15:41	Filename FILTER	Page / of 1 / 1



TC Electronic A/S		Designer DESIGNER
Title	Module title	
NUMBER	Revision FAA	Previous page XX
Date 4-20-2010_15:41	Filename PROTECT	Page / of 1 / 1



TC Electronic A/S		Designer DESIGNER
Title	Module title	
NUMBER	Revision FAA	Previous page XX
Date 4-20-2010_15:41	Filename PROTECT	Page / of 1 / 1