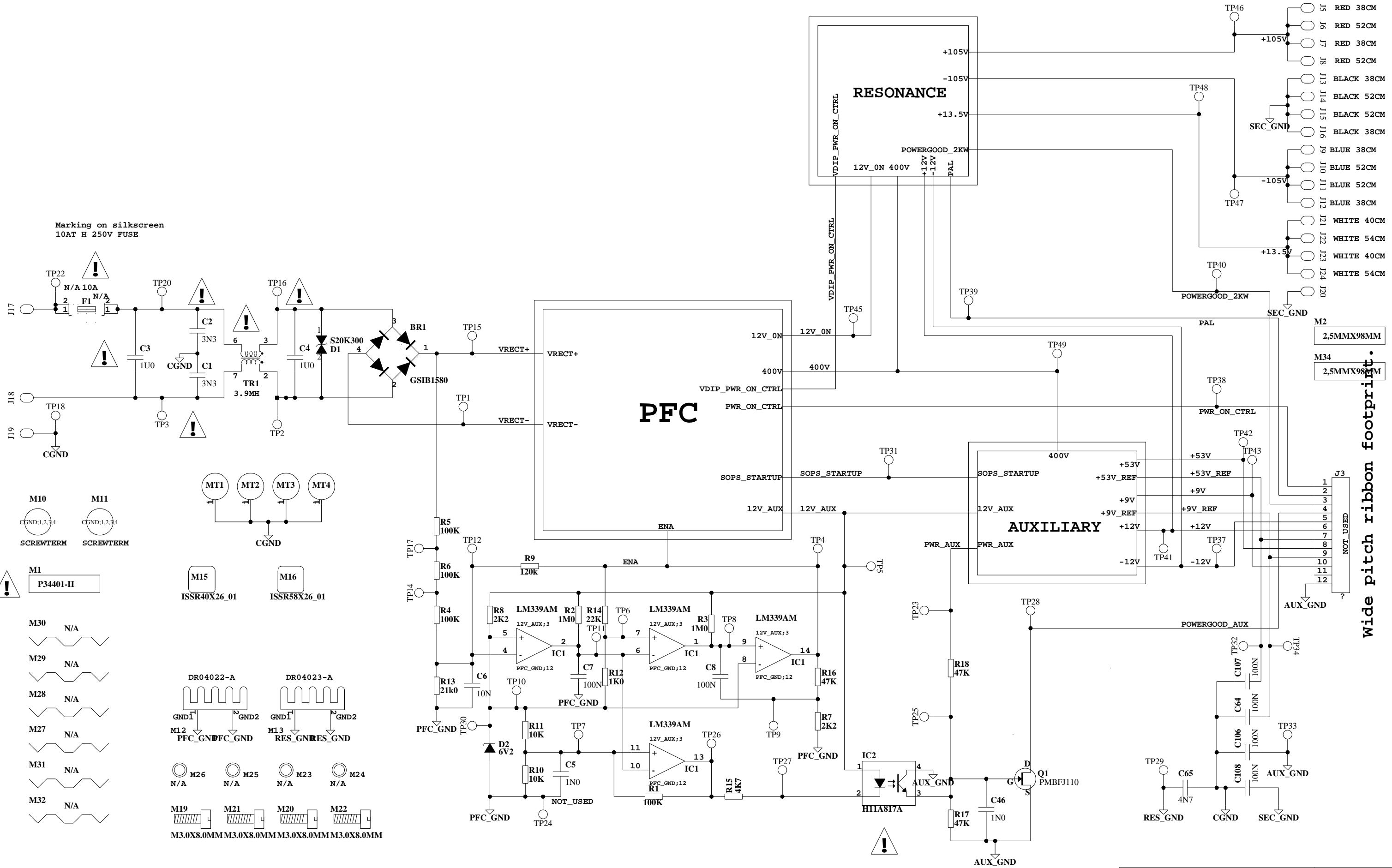
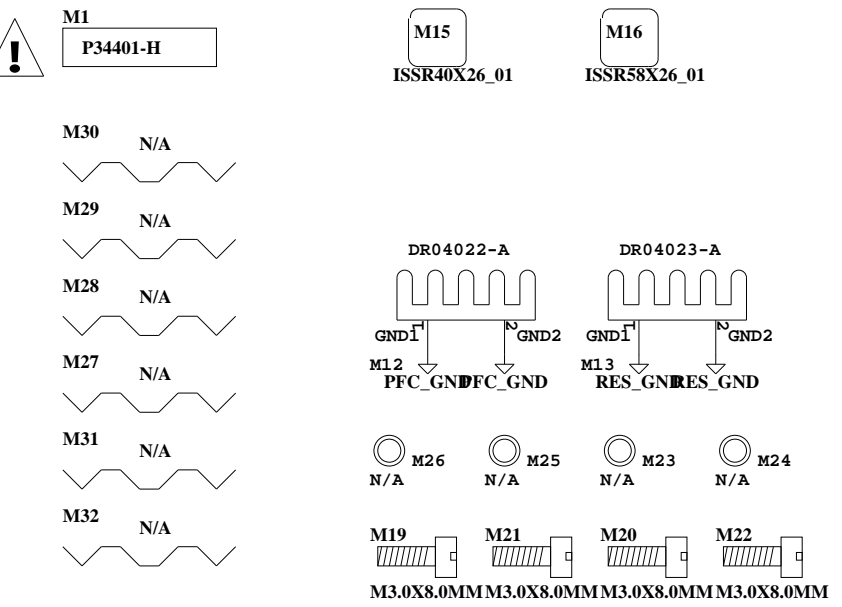
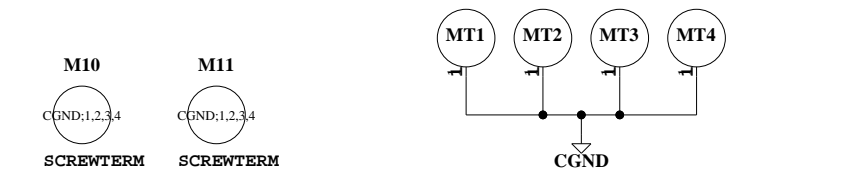
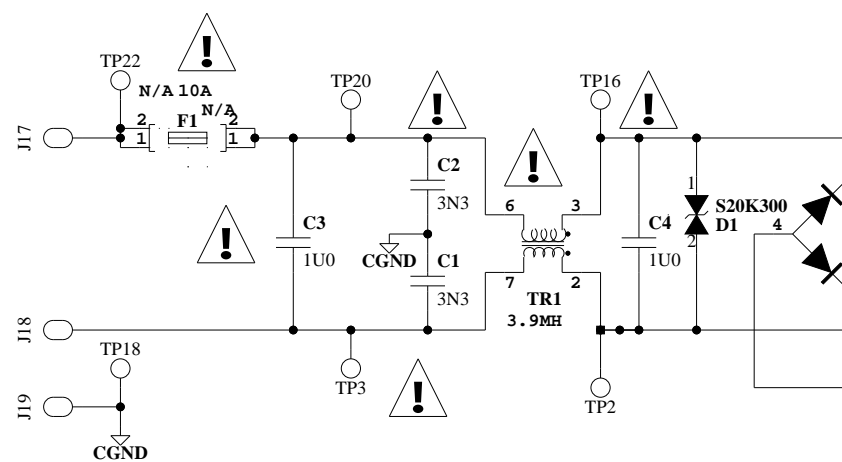


See DXF for lodde-pads.



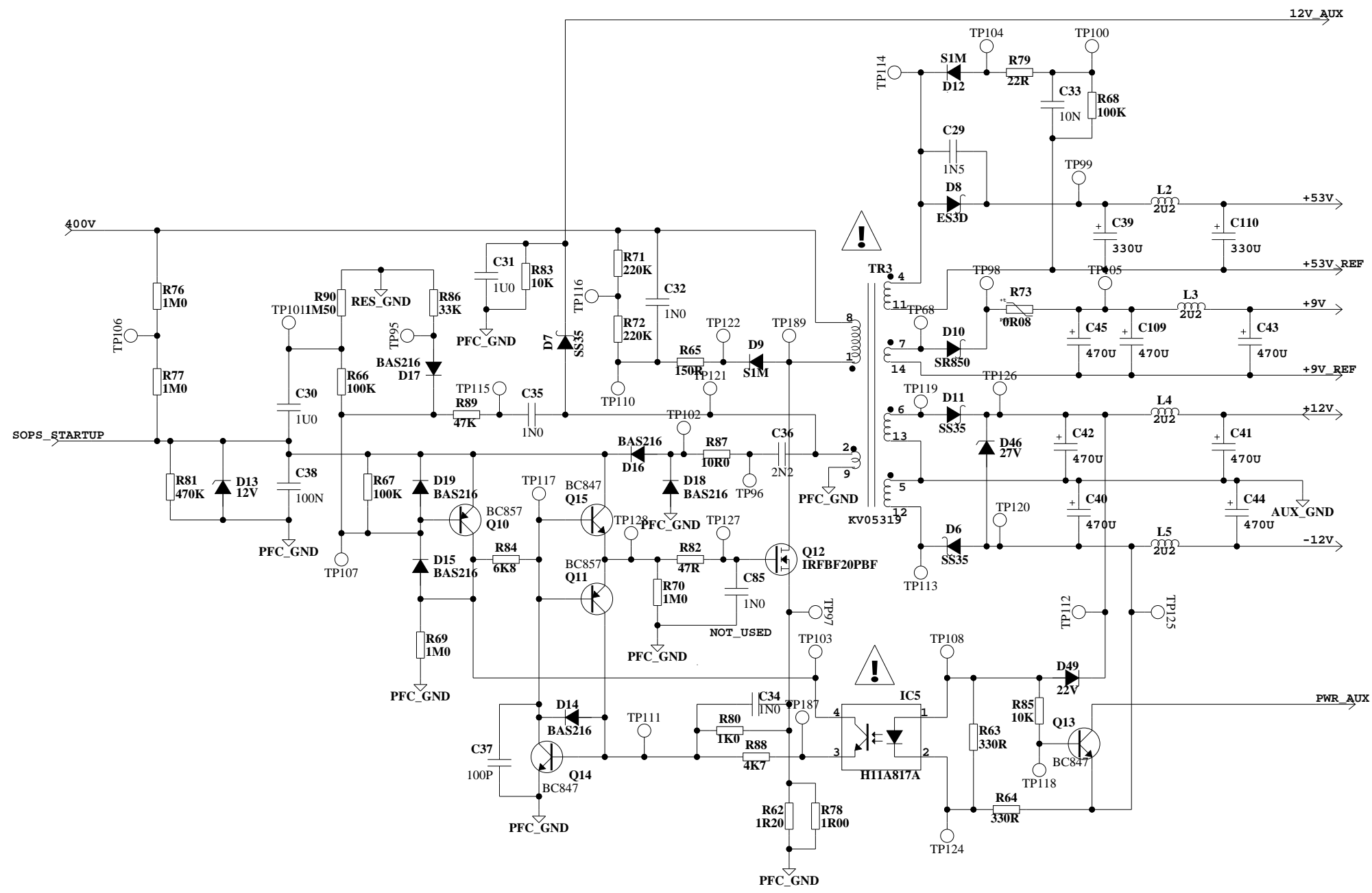
Marking on silkscreen
10AT H 250V FUSE



! = Safety component

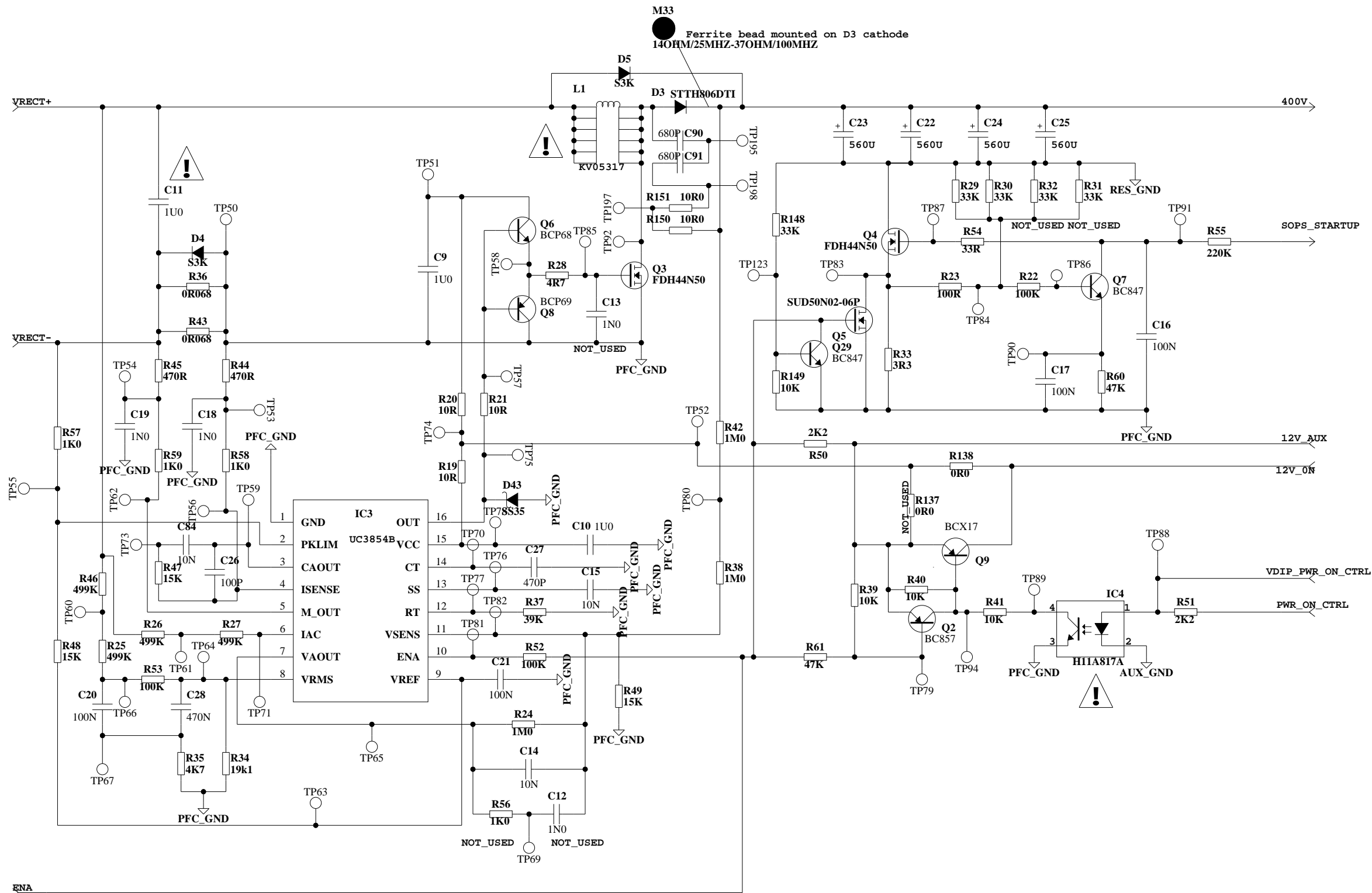
Wide pitch ribbon footprint.

TC Electronic A/S		Designer
P34 PSU		TMF
Number	Revision	Previous page
P34401	HAD	XX
Date	Filename	Page / of
10-16-2012 10:47	P34401_H	XX / 4



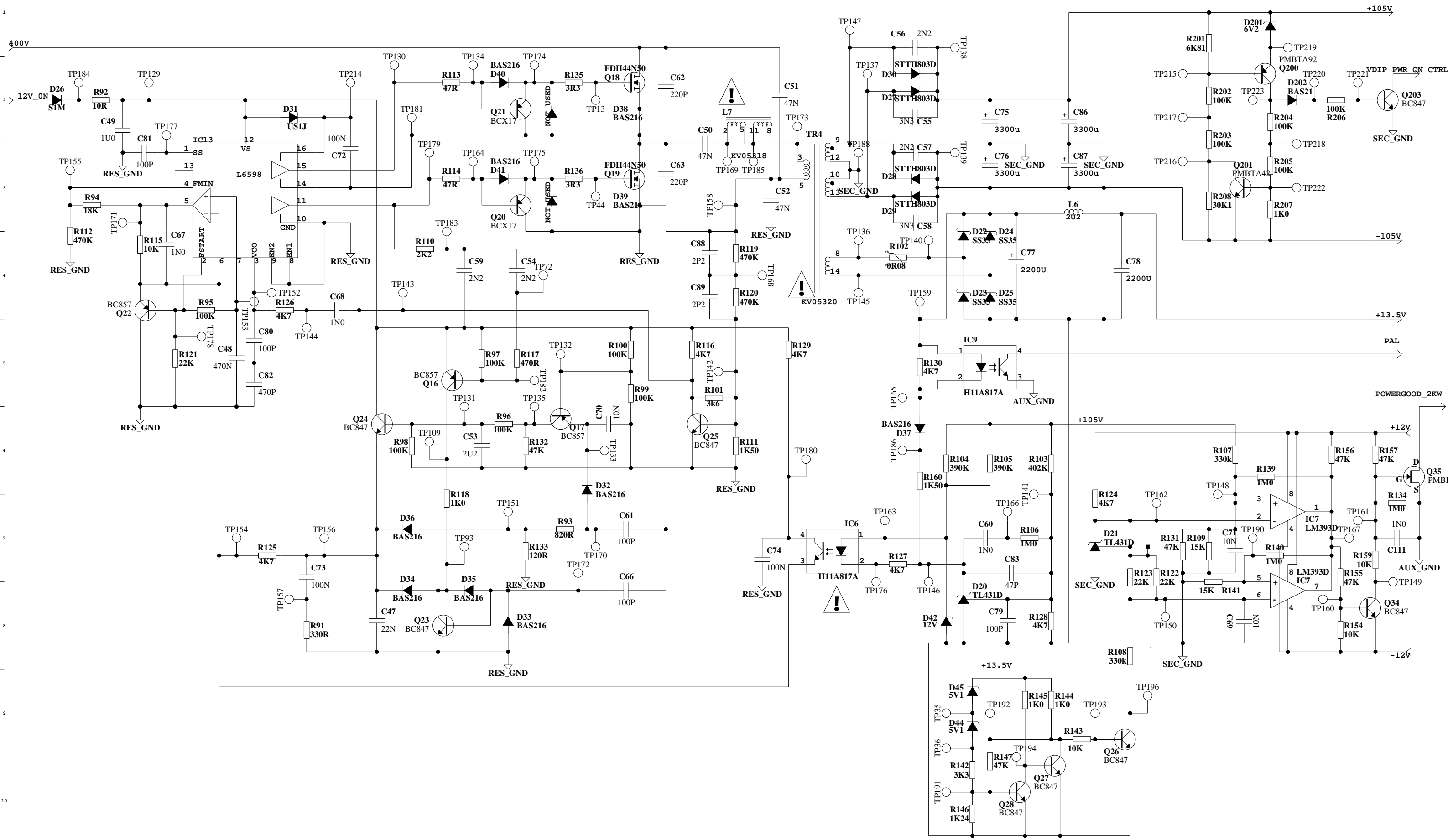
! = Safety component

TC Electronic A/S		Designer
P34 PSU		TMF
Module title		MODULE TITLE
Number	Revision	Previous page
P34401	HAD	XX
Date	Filename	Page / of
10-16-2012 10:47	AUXILIARY	1 / 4



! = Safety component

TC Electronic A/S		Designer TMF
Title P34 PSU		Module title MODULE TITLE
Number P34401	Revision HAD	Previous page XX
Date 10-16-2012 10:47	Filename PFC	Page / of 1/4



! = Safety component

TC Electronic A/S		Designer TMF
Title P34 PSU	Module title MODULE TITLE	
Number P34401	Revision HAD	Previous page XX
Date 10-16-2012 10:47	Filename RESONANCE	Page / of 1 / 4