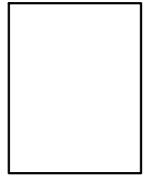
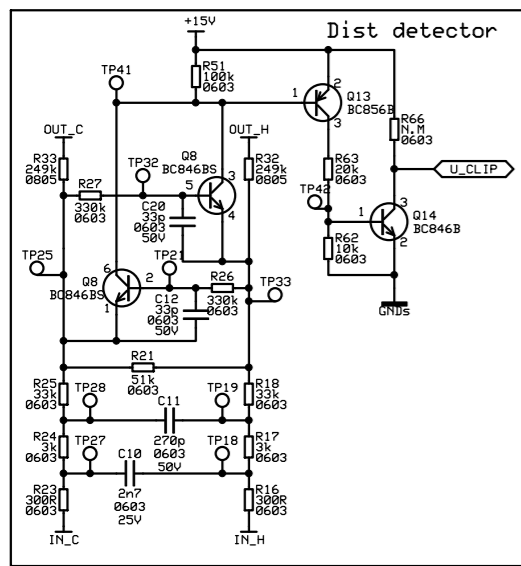


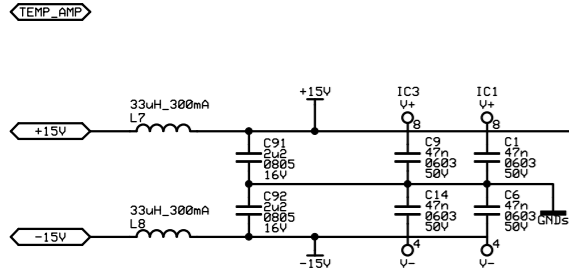
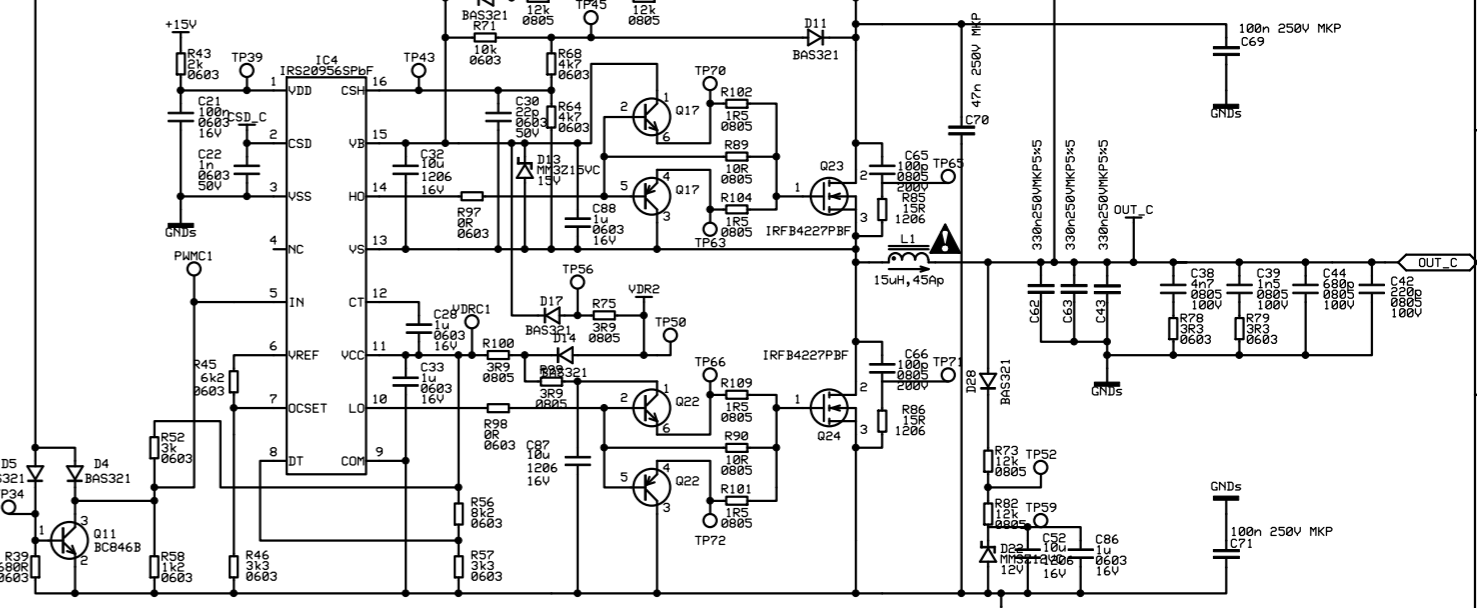
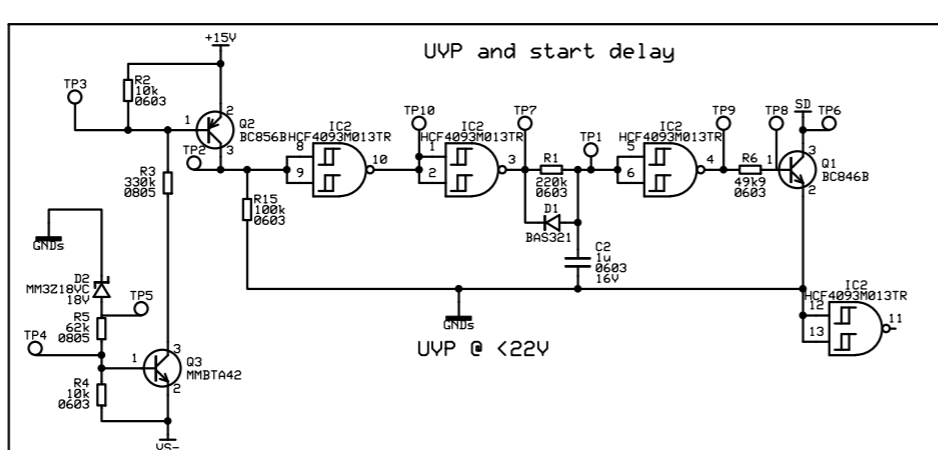
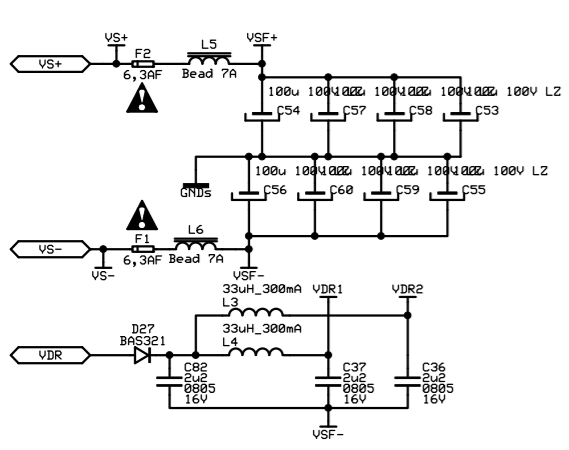
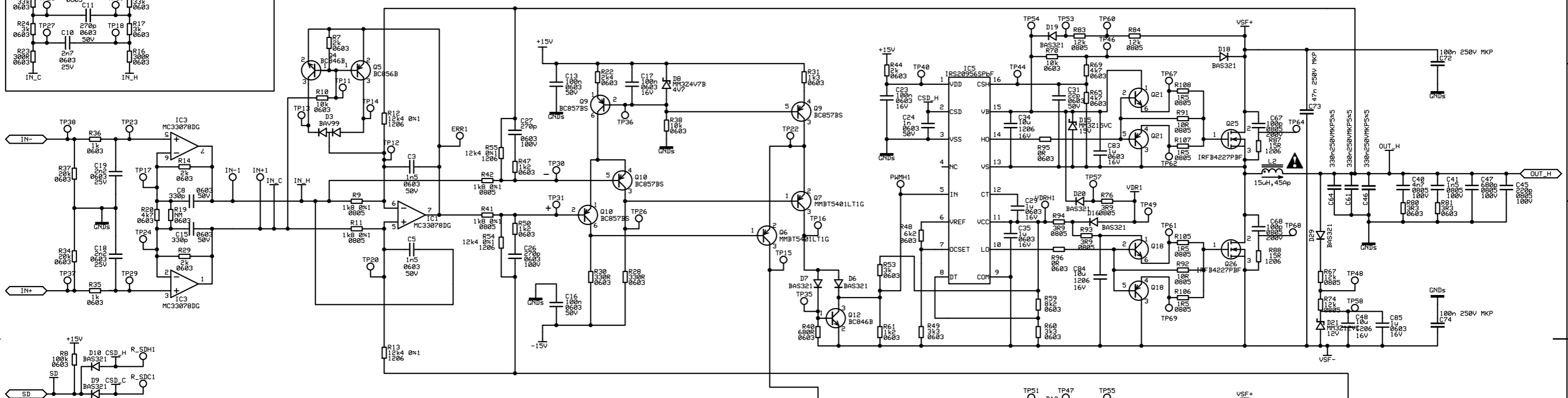
Accessories



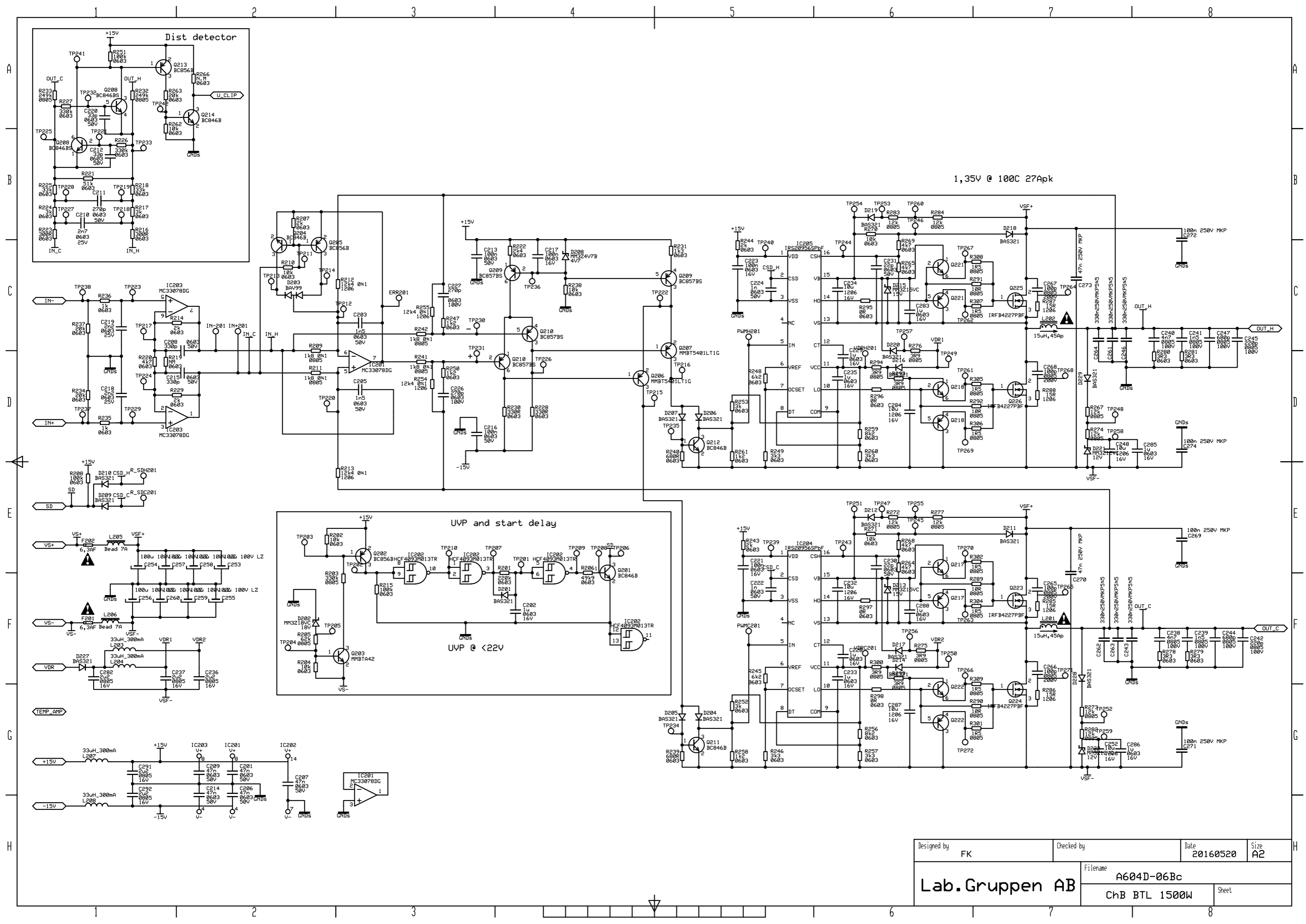
Designed by FK	Checked by	Date 20160520	Size A3
Lab. Gruppen AB		Filename A604D-06Bc	
		Sheet	



1,35V @ 100C 27Apk



Designed by	FK	Checked by		Date	20160520	Size	A2
Lab. Gruppen AB		Filename				A604D-06Bc	
		ChA BTL 1500W				Sheet	

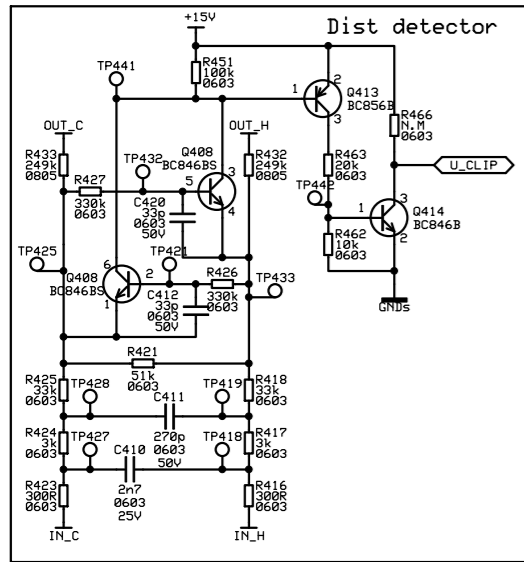


1,35V @ 100C 27Apk

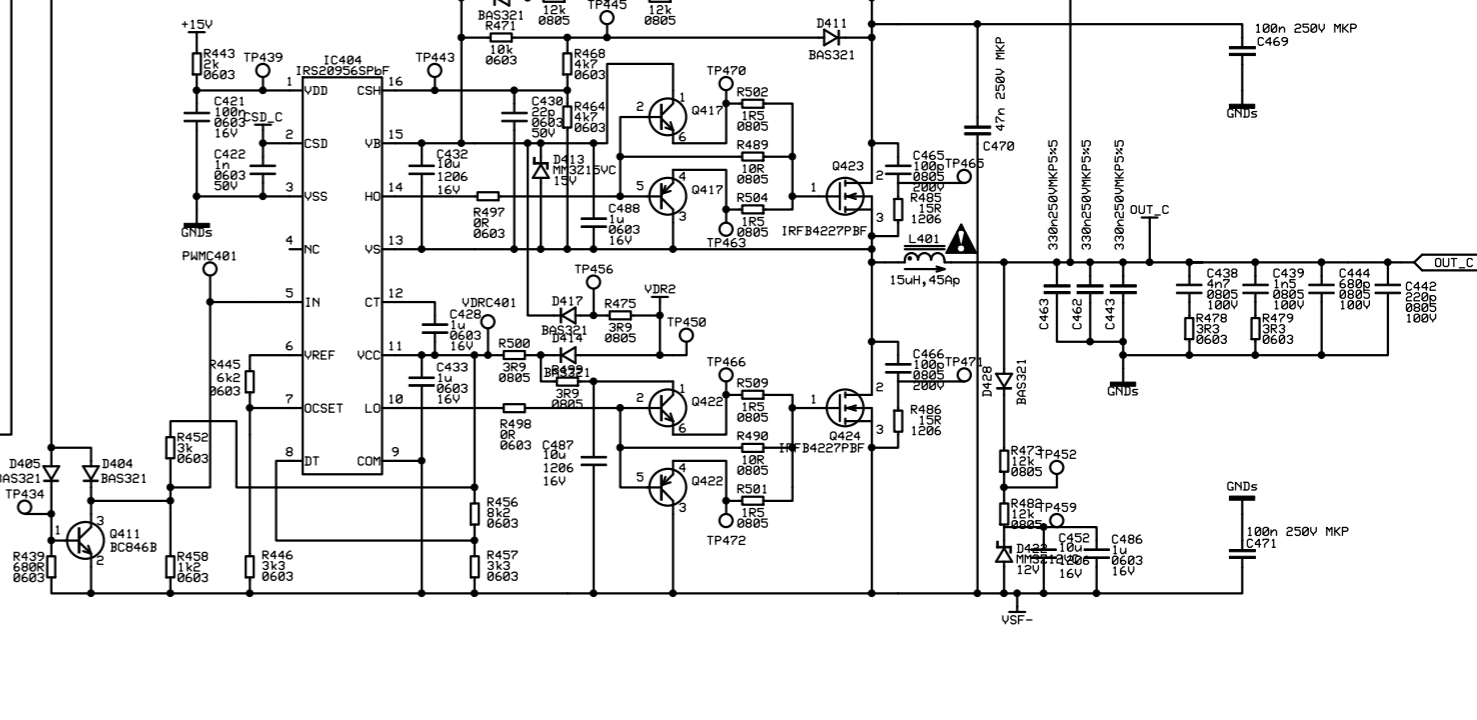
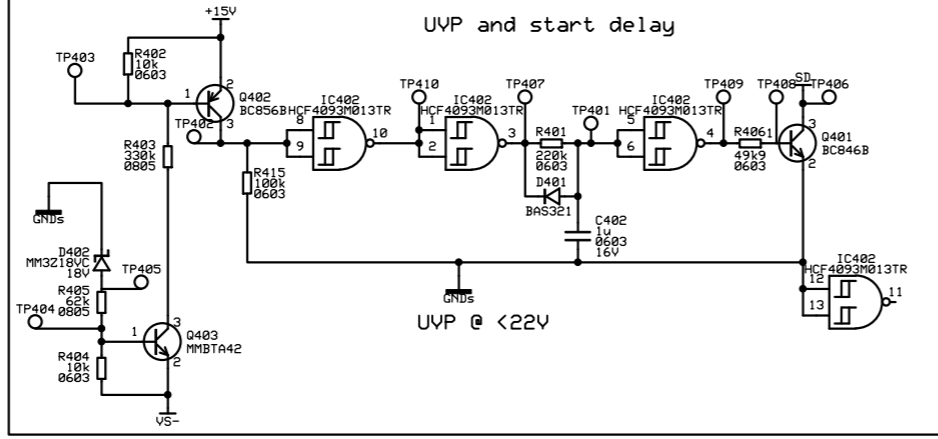
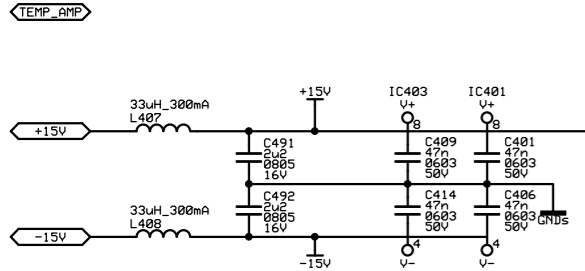
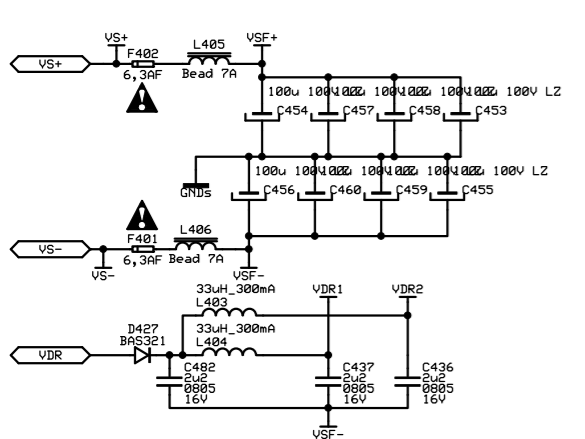
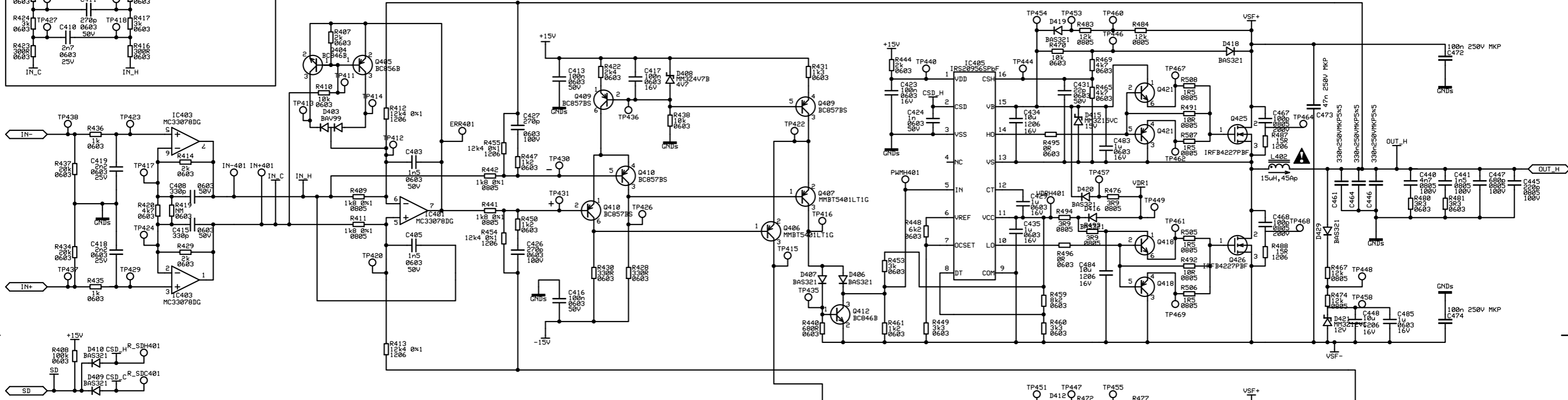
UVP and start delay

UVP @ <22V

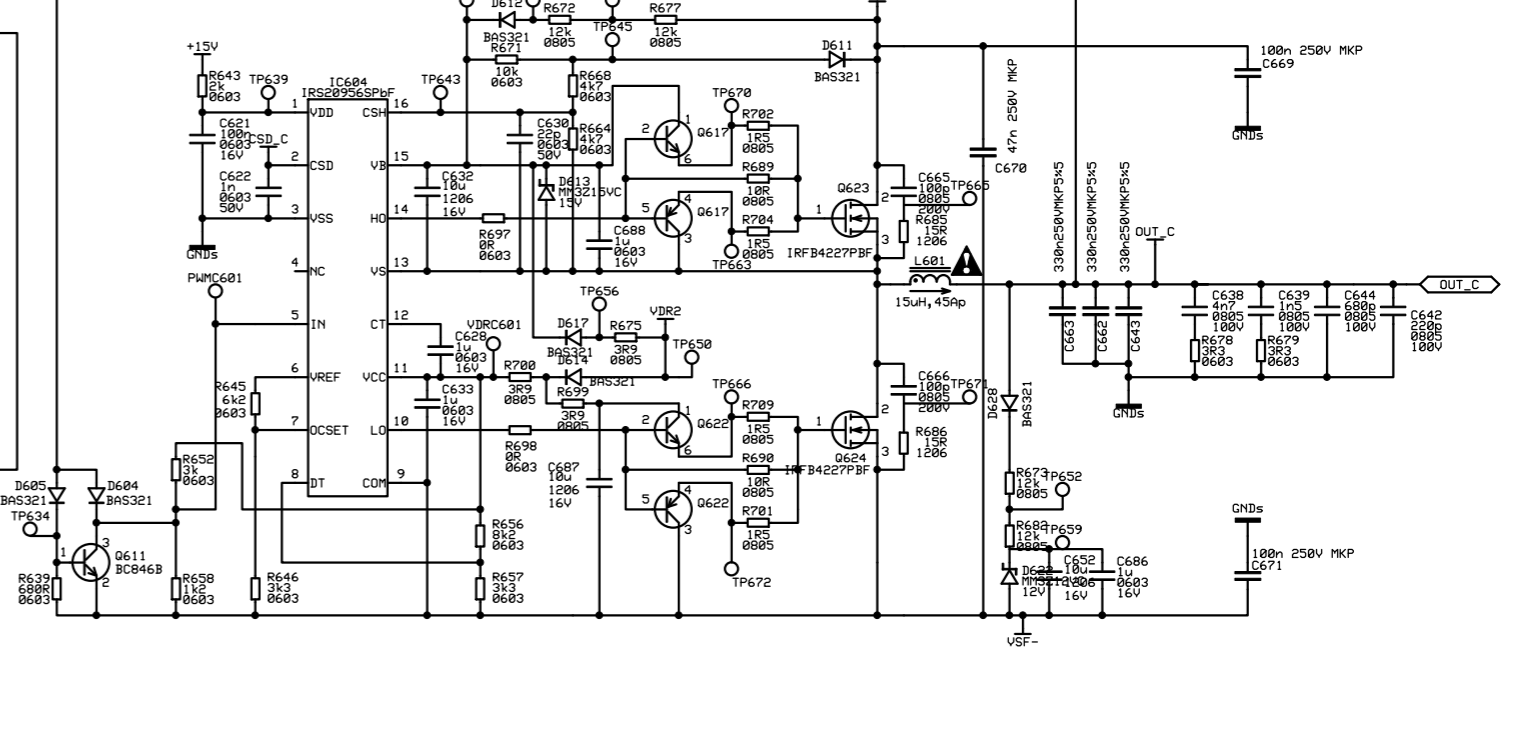
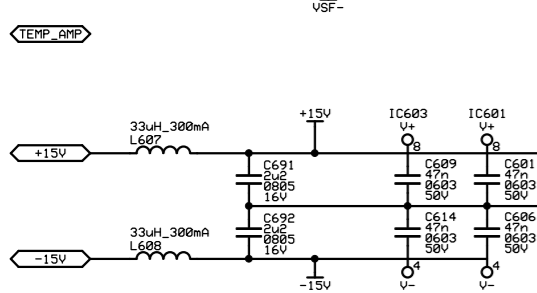
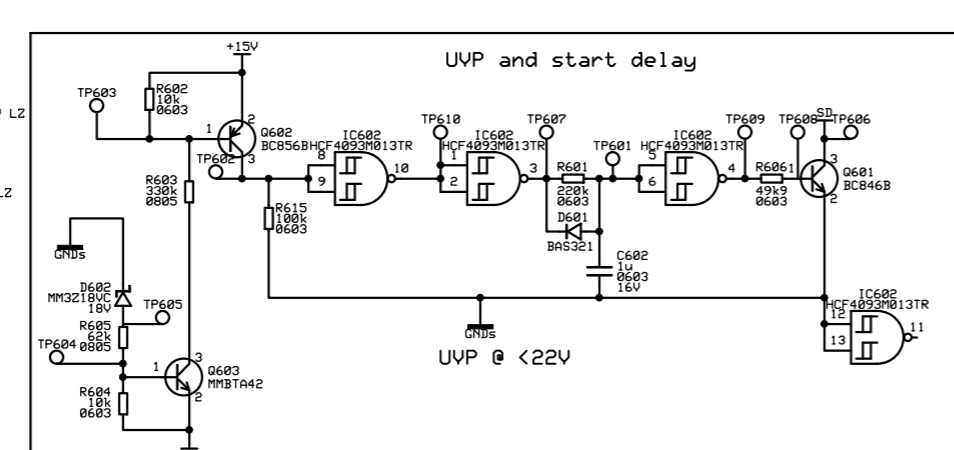
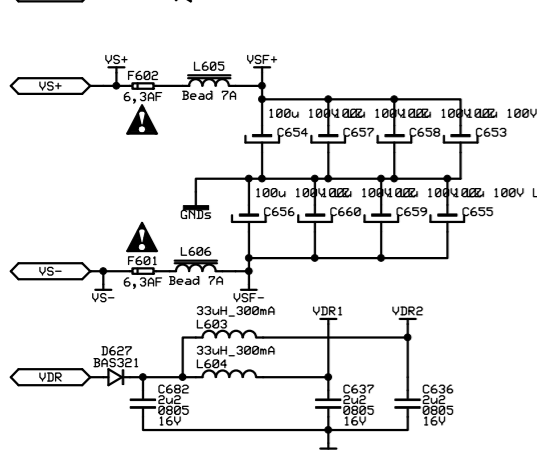
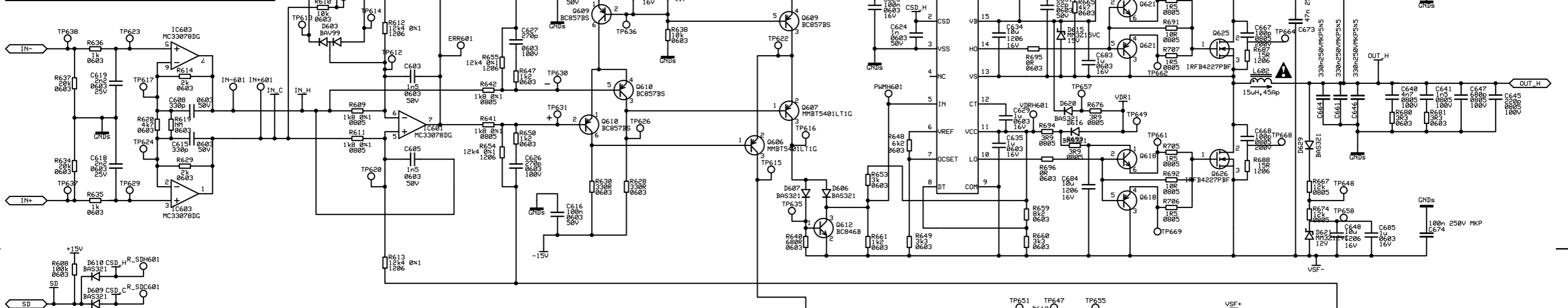
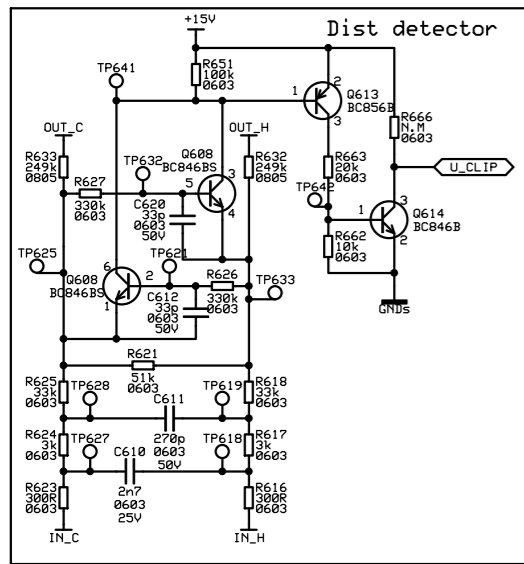
Designed by	FK	Checked by		Date	20160520	Size	A2
Lab. Gruppen AB		Filename		A604D-06Bc		Sheet	
				ChB BTL 1500W			



1, 35V @ 100C 27Apk



Designed by FK	Checked by	Date 20160520	Size A2
Lab. Gruppen AB		Filename A604D-06Bc	
		Sheet ChC BTL 1500W	



Designed by FK	Checked by	Date 20160520	Size A2
Lab. Gruppen AB		Filename A604D-06Bc	Sheet
		ChD BTL 1500W	

1 2 3 4 5 6 7 8

A

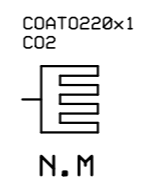
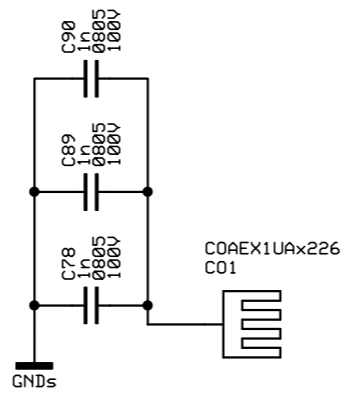
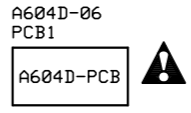
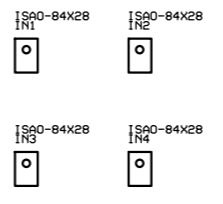
B

C

D

E

F



Designed by FK	Checked by	Date 20160520	Size A3
Lab. Gruppen AB		Filename A604D-06Bc	
		Accessories	Sheet

1 2 3 4 5 6 7 8