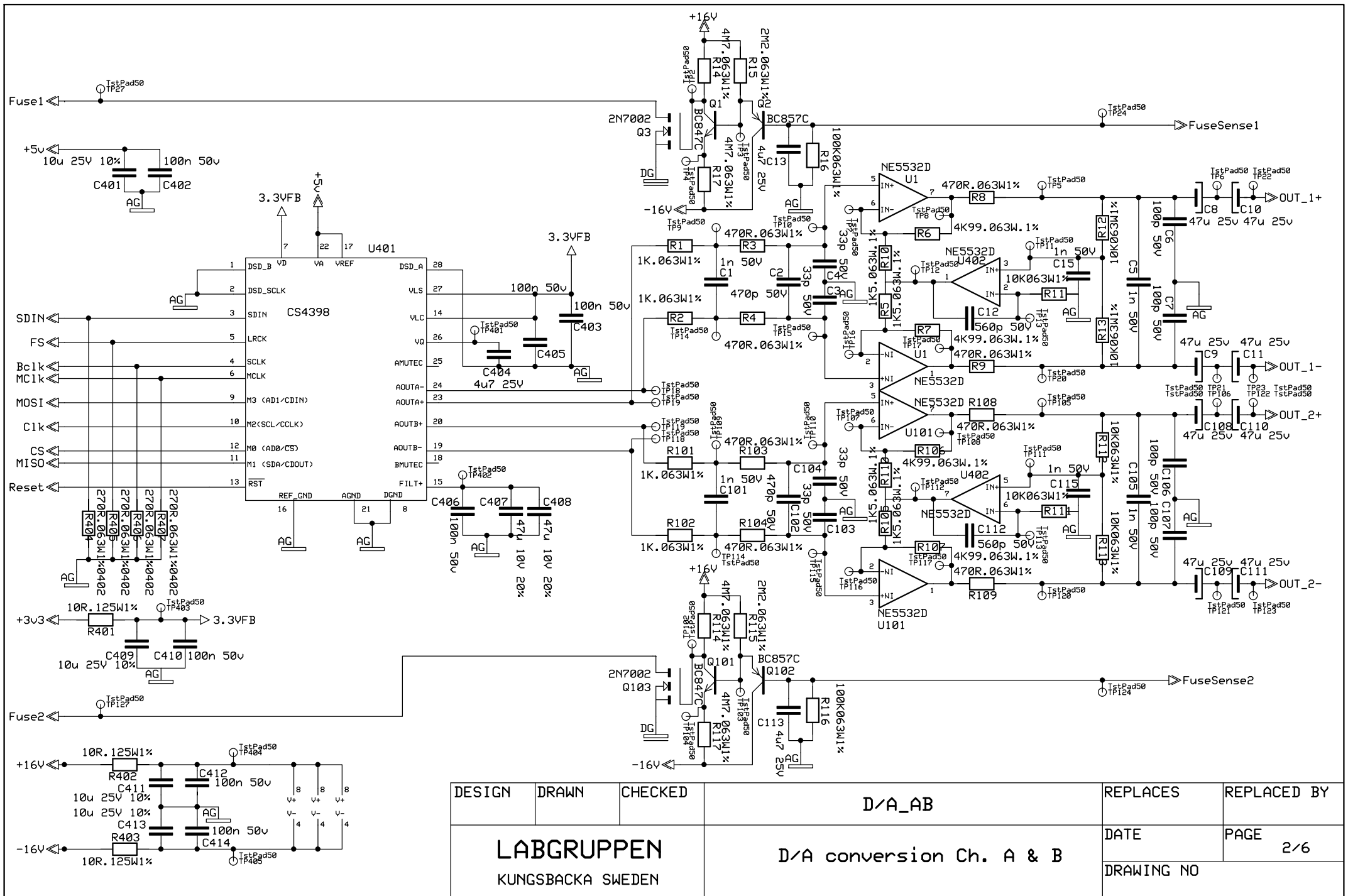
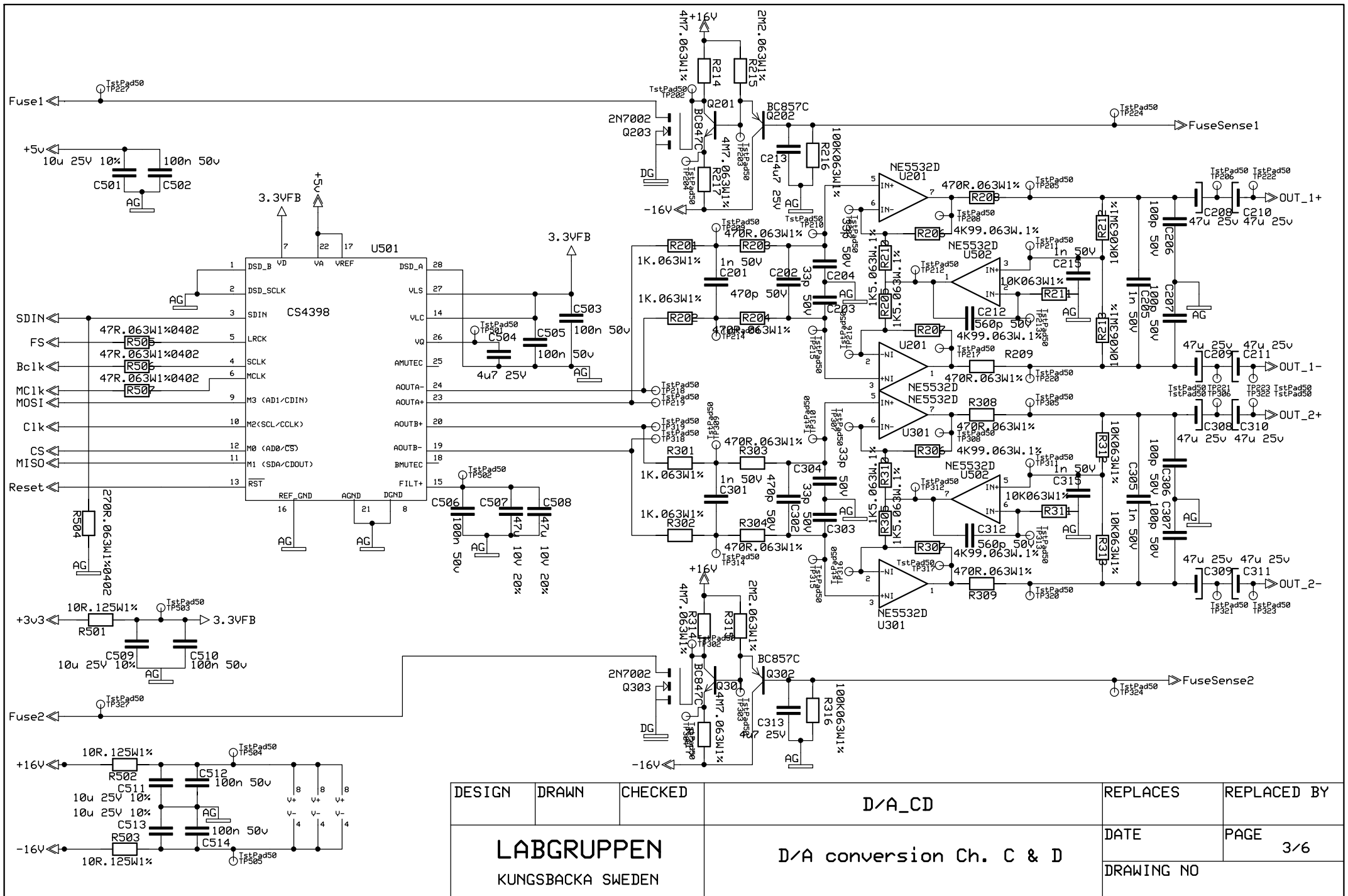


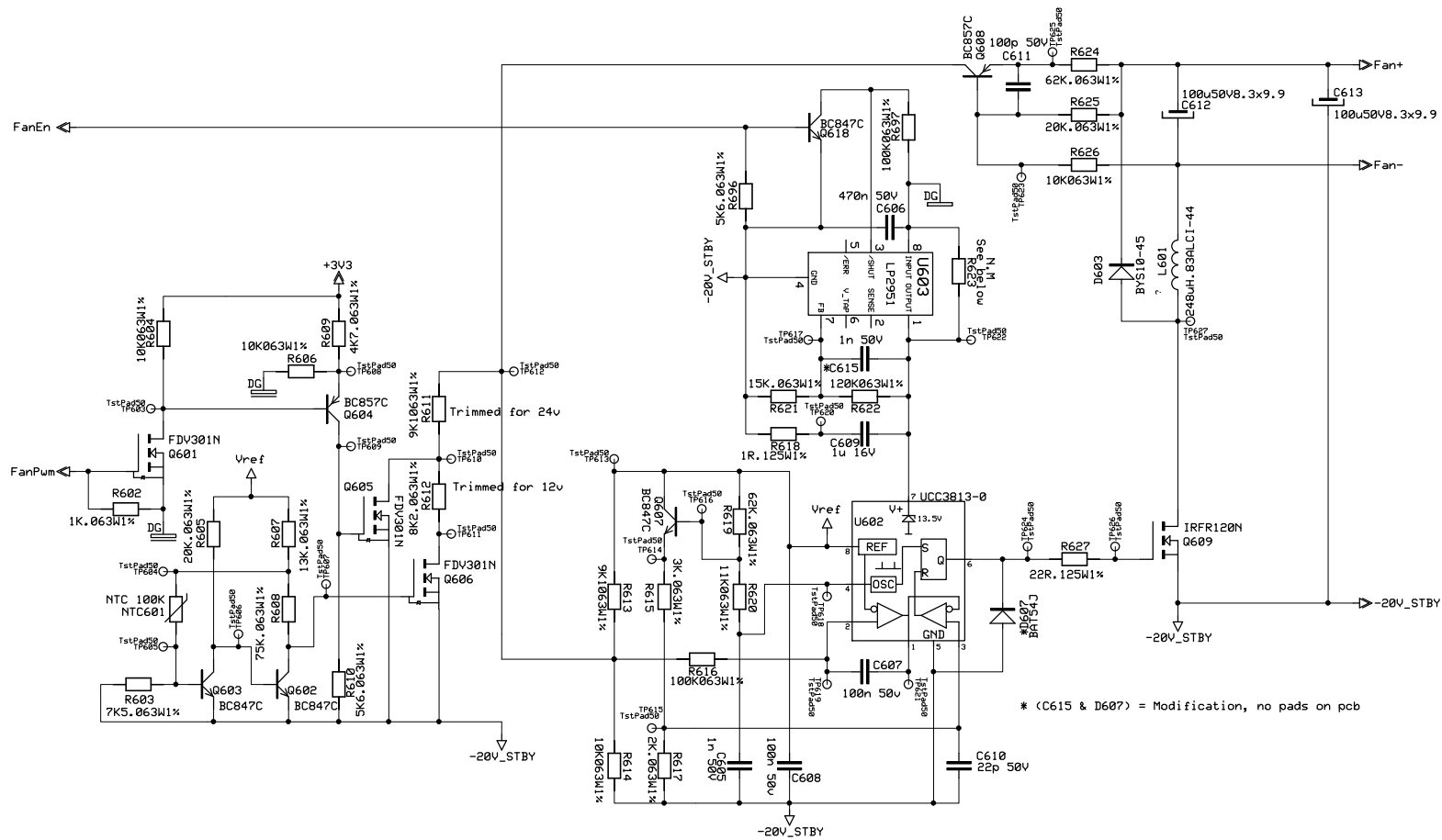
| | | | | | |
|-------------------|-------------|---------|-------------------------------|-------------------------|-------------|
| DESIGN ME/06 | DRAWN ME/06 | CHECKED | BP4DA1U | REPLACES 20160523 | REPLACED BY |
| LABGRUPPEN | | | BackPlane with 4ch D/A 1 unit | DATE 20170101 | PAGE 1/6 |
| KUNGSBACKA SWEDEN | | | | DRAWING NO BP4DA1U-03ad | |



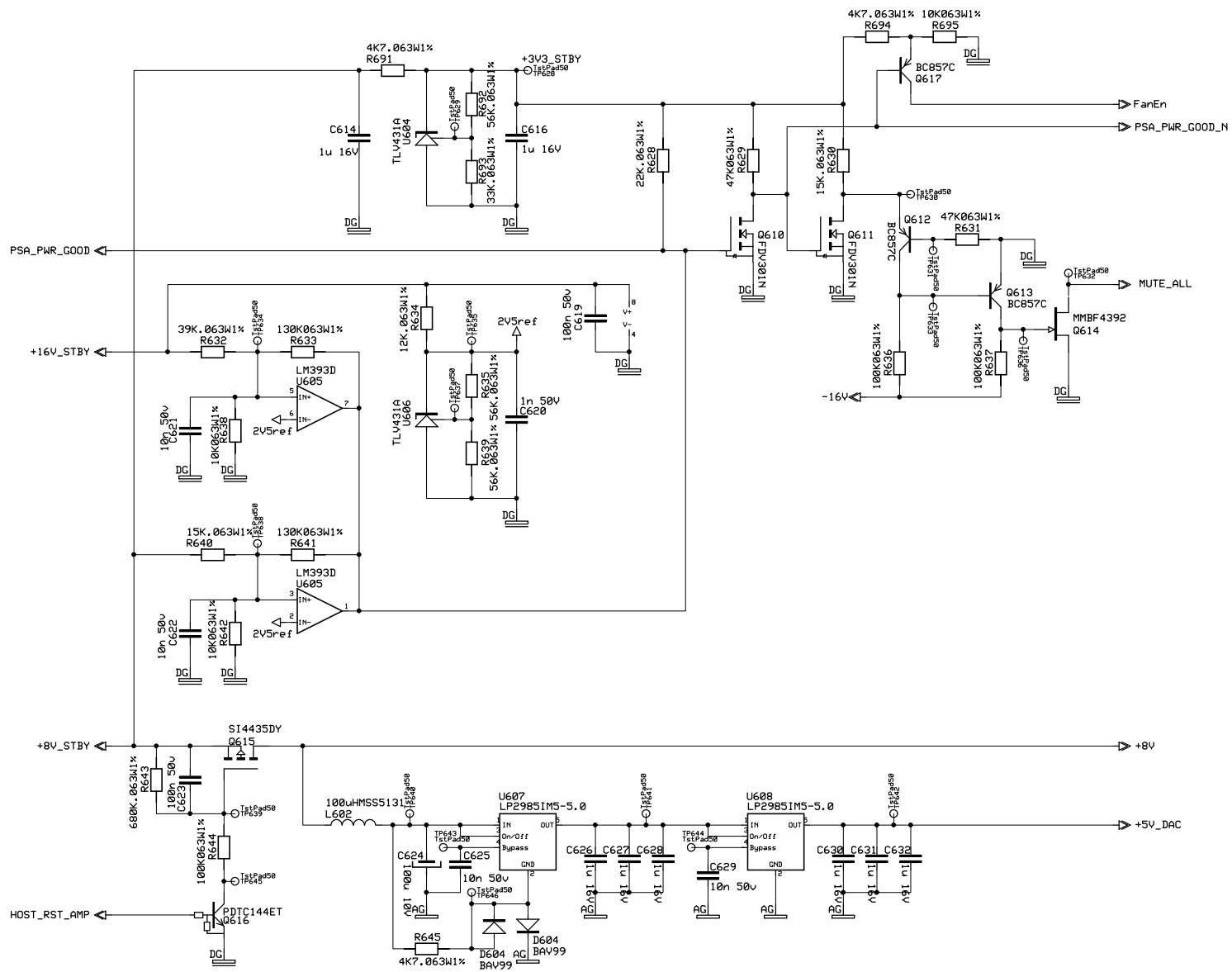
| DESIGN | DRAWN | CHECKED | D/A_AB | REPLACES | REPLACED BY |
|-------------------|-------|---------|--------------------------|------------|-------------|
| LABGRUPPEN | | | D/A conversion Ch. A & B | DATE | PAGE 2/6 |
| KUNGSBACKA SWEDEN | | | | DRAWING NO | |



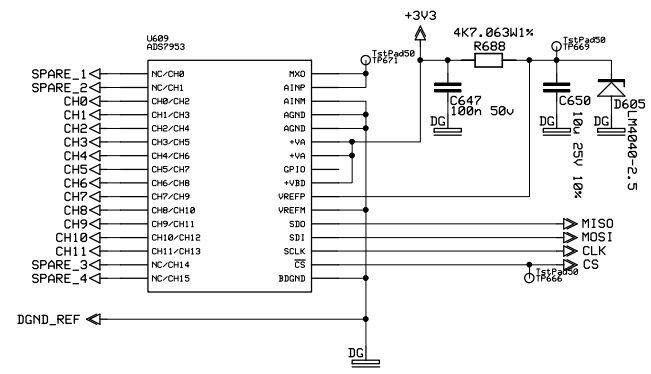
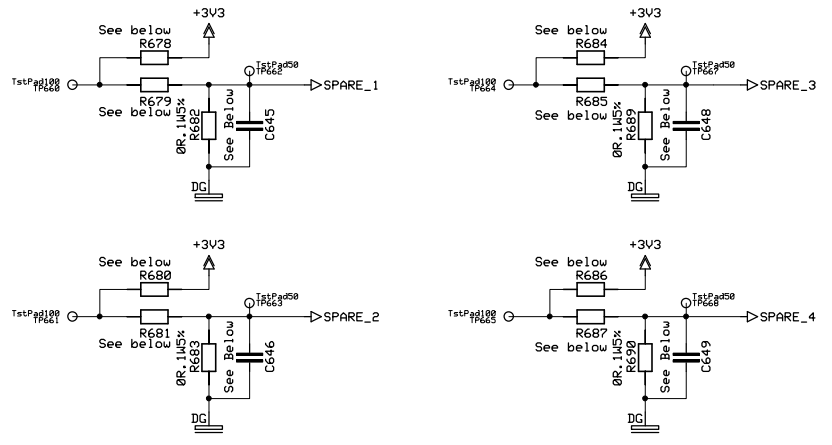
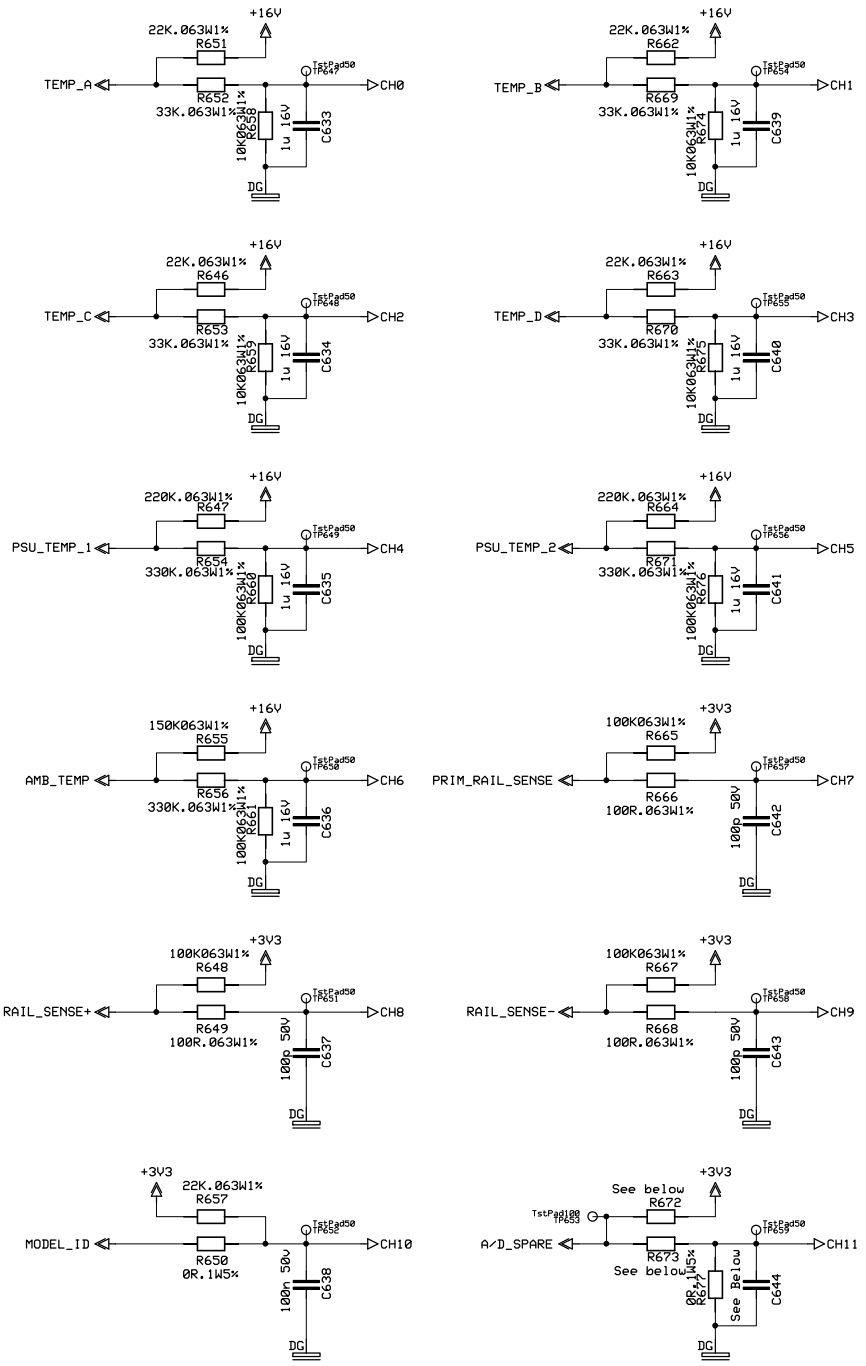
| DESIGN | DRAWN | CHECKED | D/A_CD | REPLACES | REPLACED BY |
|-------------------|-------|---------|--------------------------|------------|-------------|
| LABGRUPPEN | | | D/A conversion Ch. C & D | DATE | PAGE |
| KUNGSBACKA SWEDEN | | | | DRAWING NO | 3/6 |



| | | | | | |
|-------------------|-------|---------|------------|----------|-------------|
| DESIGN | DRAWN | CHECKED | FanControl | REPLACES | REPLACED BY |
| LABGRUPPEN | | | | DATE | PAGE |
| KUNGSBACKA SWEDEN | | | DRAWING NO | | |



| | | | | | |
|-------------------|-------|---------|--------------|----------|-------------|
| DESIGN | DRAWN | CHECKED | PowerControl | REPLACES | REPLACED BY |
| LABGRUPPEN | | | | DATE | PAGE |
| KUNGSBACKA SWEDEN | | | DRAWING NO | 5/6 | |



| | | | | | |
|---------------------------------|-------|---------|----------|------------|-------------|
| DESIGN | DRAWN | CHECKED | Temp_A/D | REPLACES | REPLACED BY |
| LABGRUPPEN KUNGSBACKA SWEDEN | | | | DATE | PAGE 6/6 |
| | | | | DRAWING NO | |