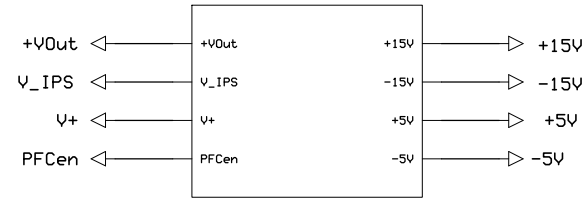


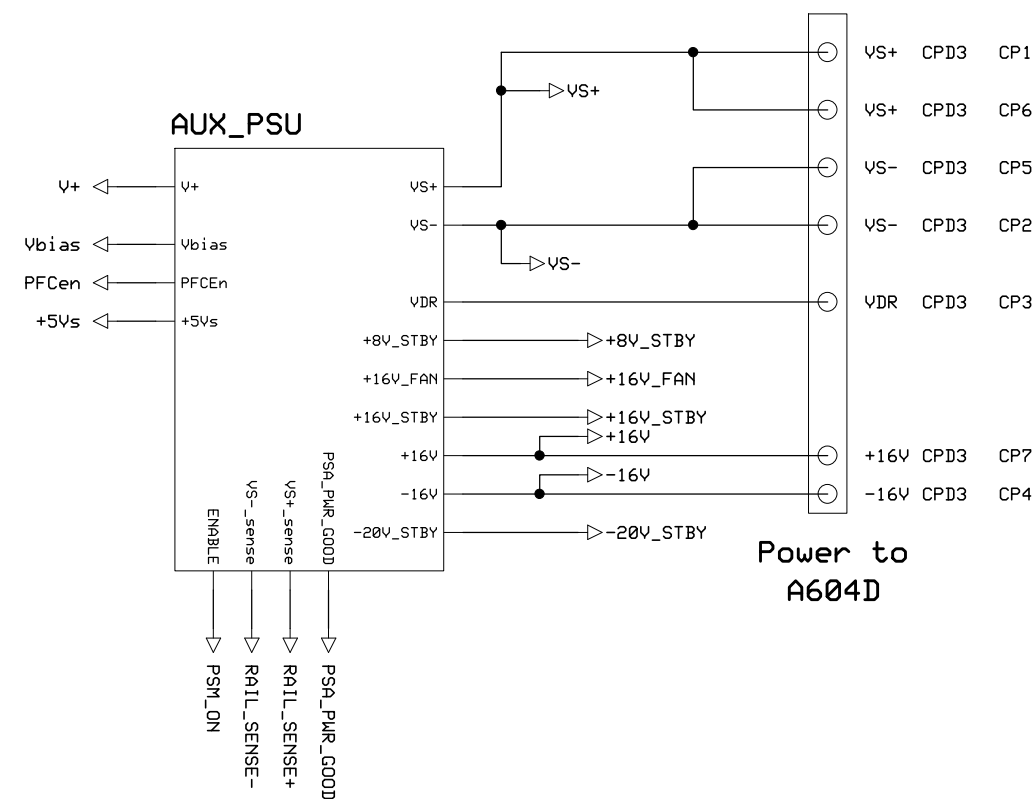
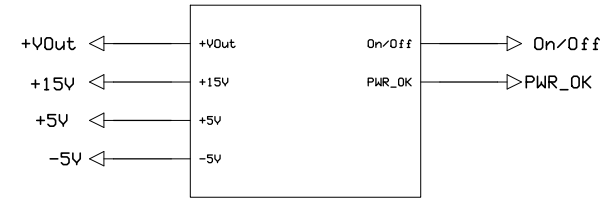
**Accessories**



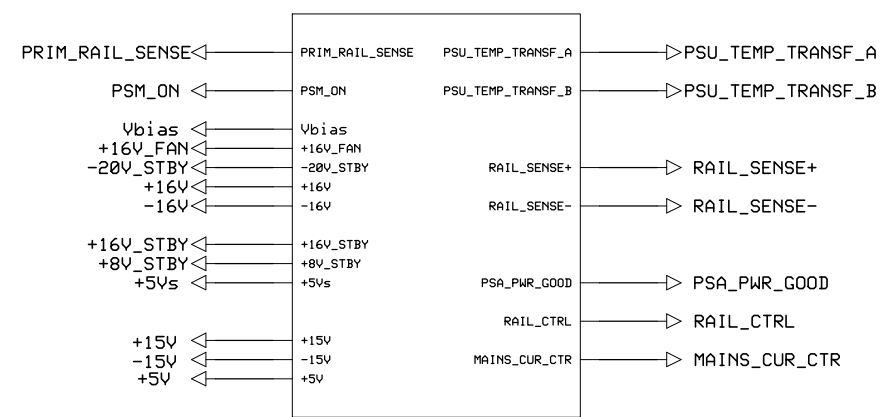
**PRIM\_AUX**



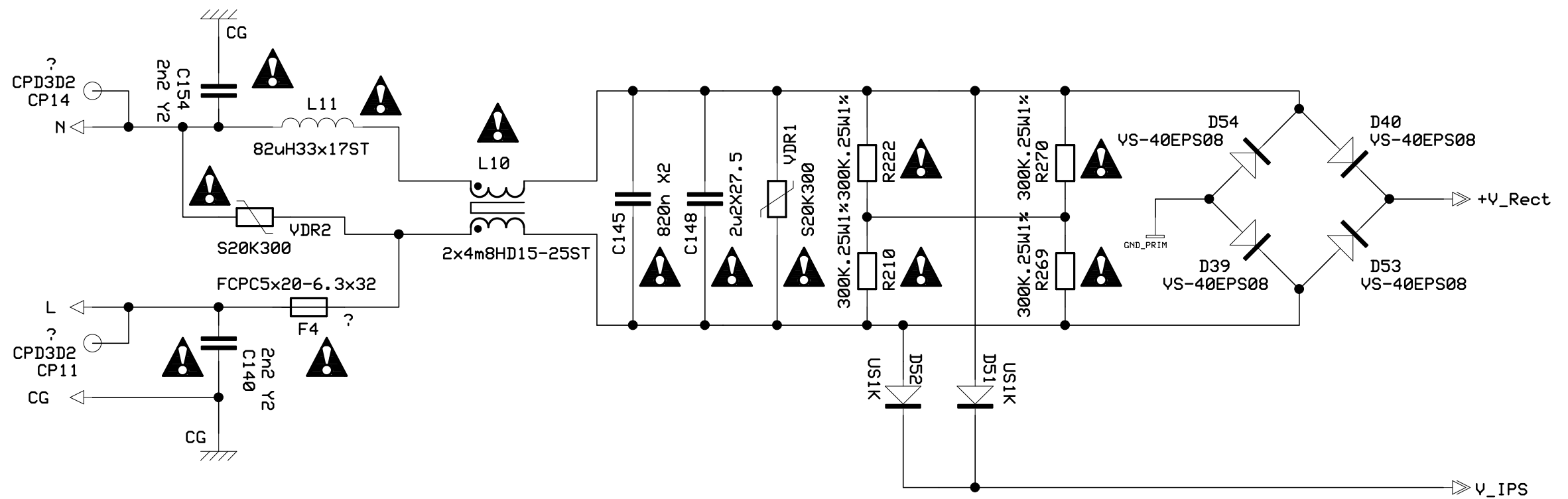
**On/Off\_Logic**



**CONN/SENSE/CTRL**

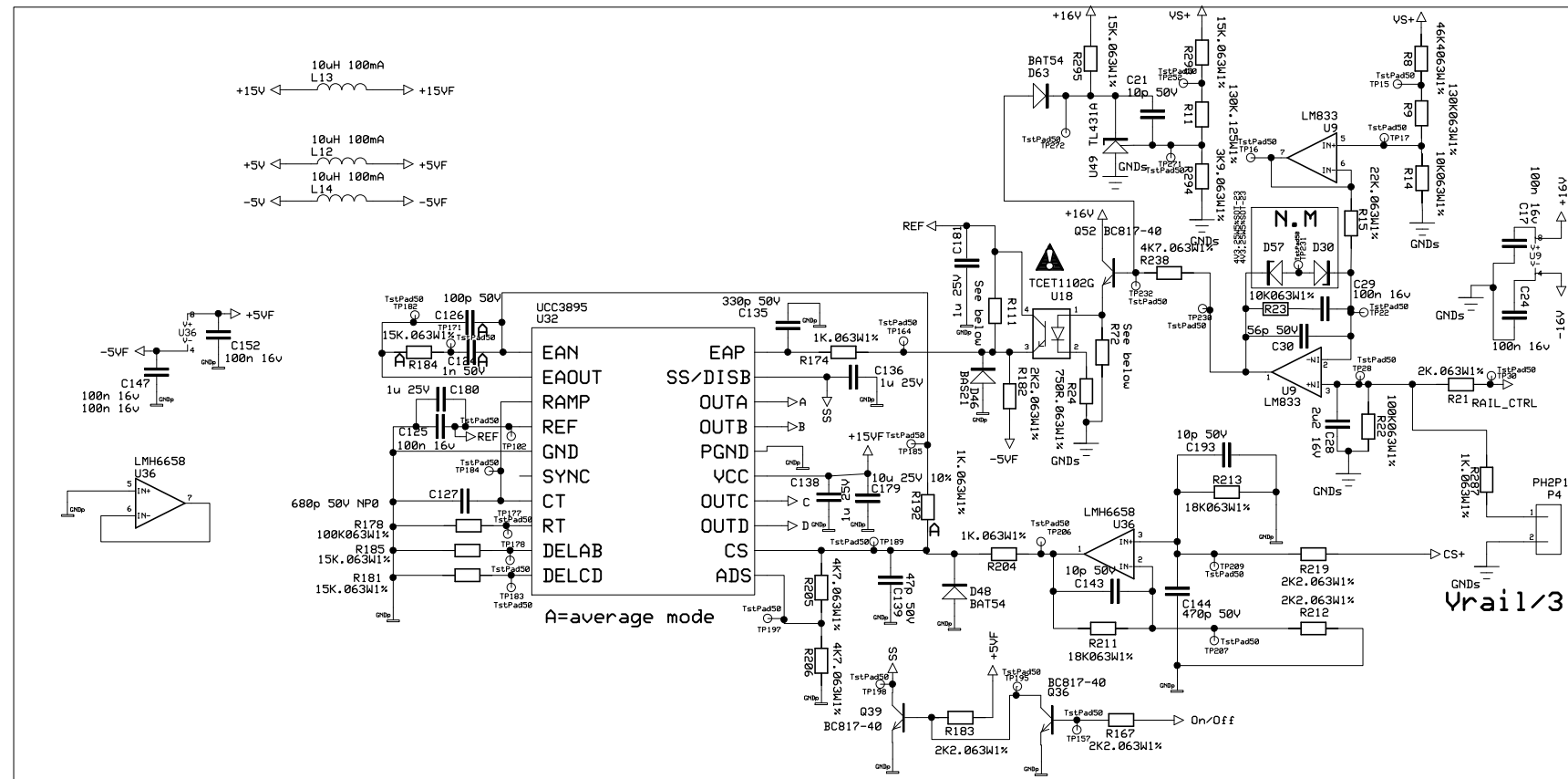
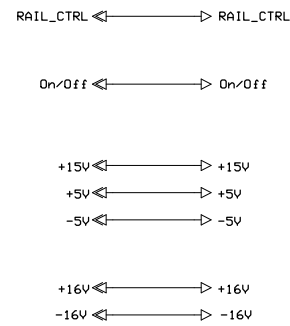
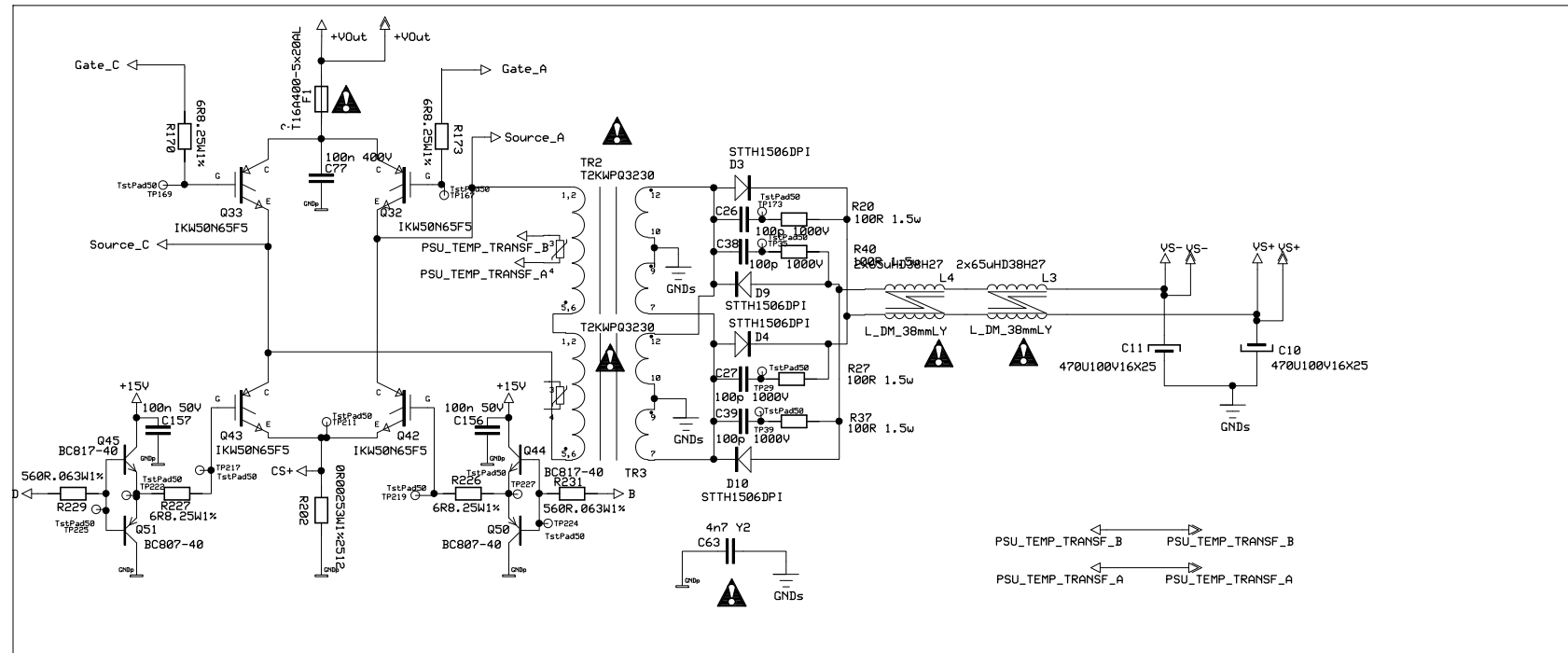
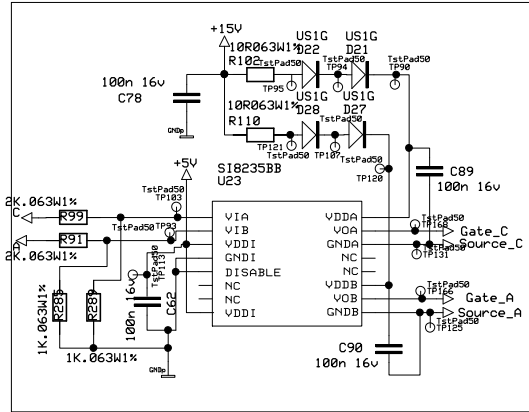


DESIGN	DRAWN	CHECKED	<b>SP40PFC</b>	REPLACES 20171006	REPLACED BY
				DATE 20171109	PAGE
			Switchmode Power supply 4kW Power Factor Correction	DRAWING NO SP40PFC-08Be	

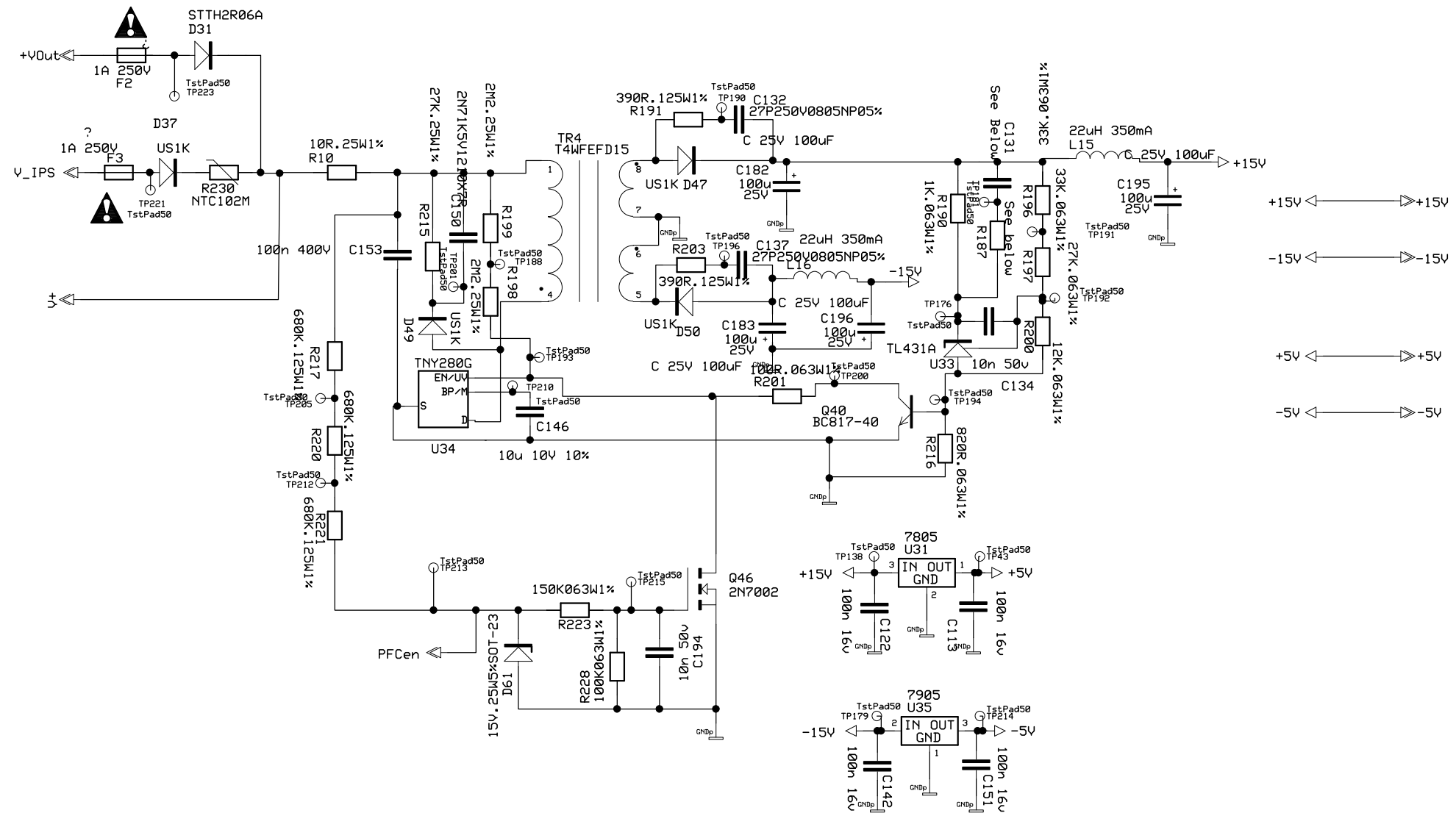


DESIGN	DRAWN	CHECKED	<b>SP40PFC</b>	REPLACES	REPLACED BY
				DATE	PAGE
			Mains Filter & Rectification	DRAWING NO SP40PFC-08Be	



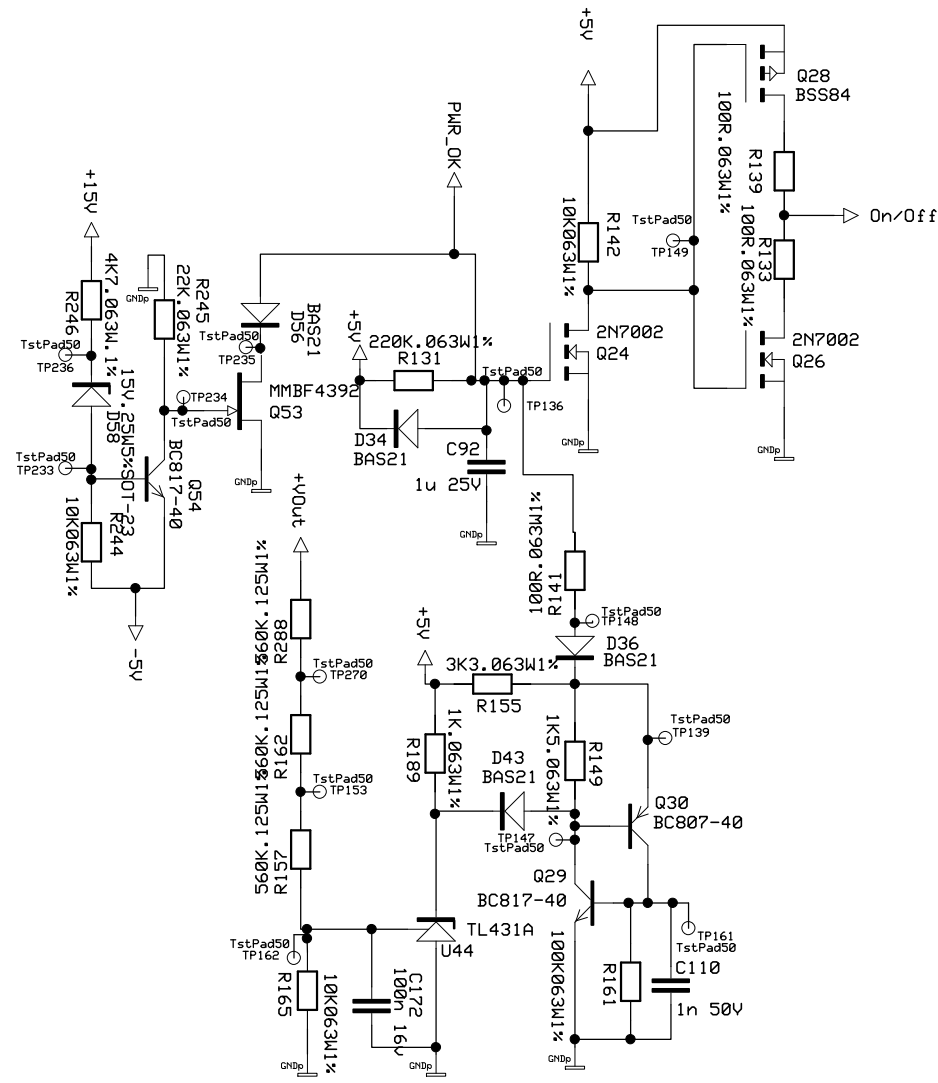


DESIGN	DRAWN	CHECKED	SP40PFC	REPLACES	REPLACED BY
			Phase Shifted Full Bridge	DATE	PAGE
				DRAWING NO	SP40PFC-08Be



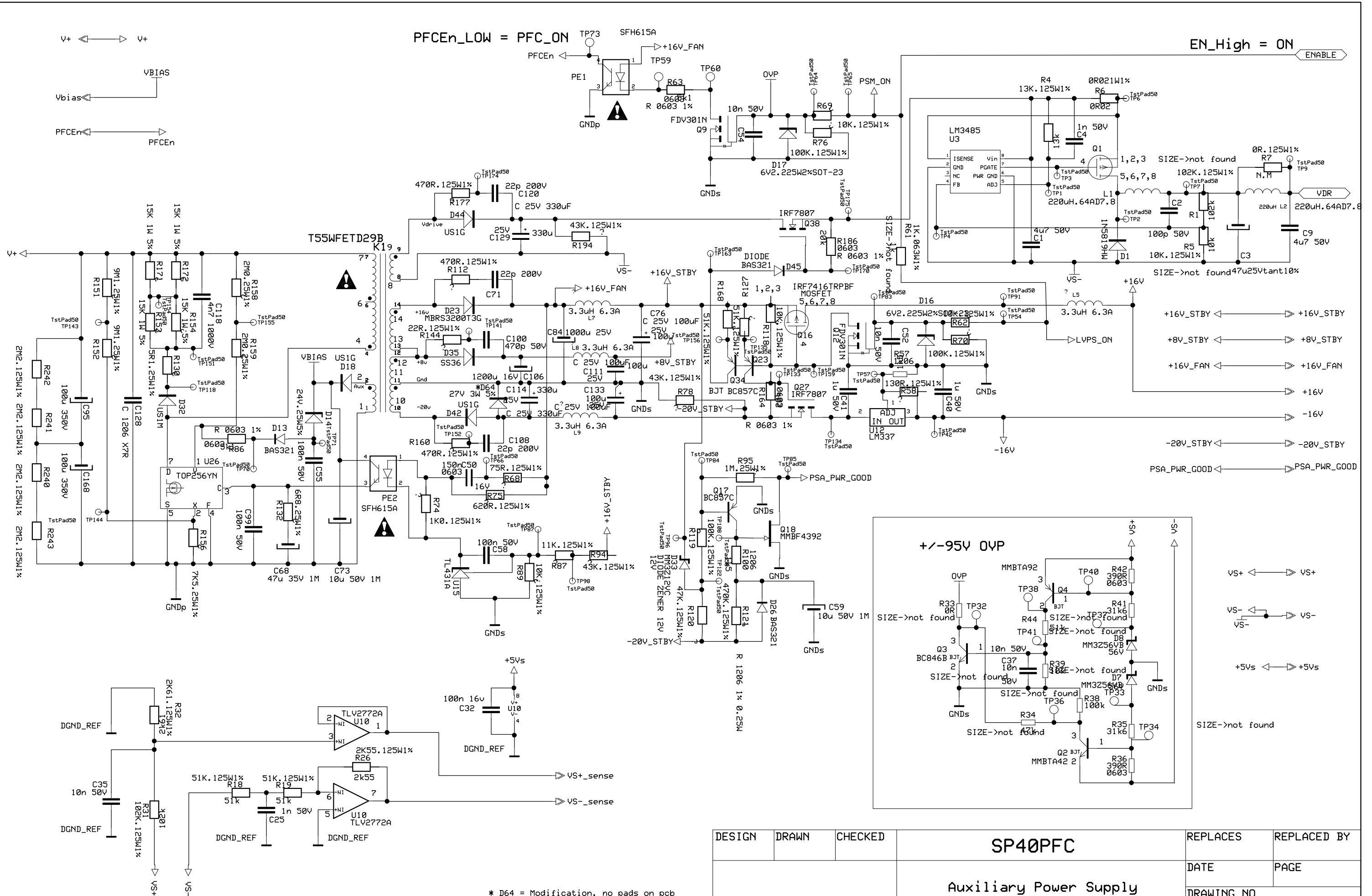
DESIGN	DRAWN	CHECKED	<b>SP40PFC</b>	REPLACES	REPLACED BY
				DATE	PAGE
			Primary Auxiliary Power Supply	DRAWING NO SP40PFC-0Be	

+V0ut ← → +V0ut  
 +15V ← → +15V  
 +5V ← → +5V  
 -5V ← → -5V



On/Off ← → On/Off  
 PWR\_OK ← → PWR\_OK

DESIGN	DRAWN	CHECKED	SP40PFC	REPLACES	REPLACED BY
				DATE	PAGE
			ON/OFF Logic	DRAWING NO SP40PFC-08Be	

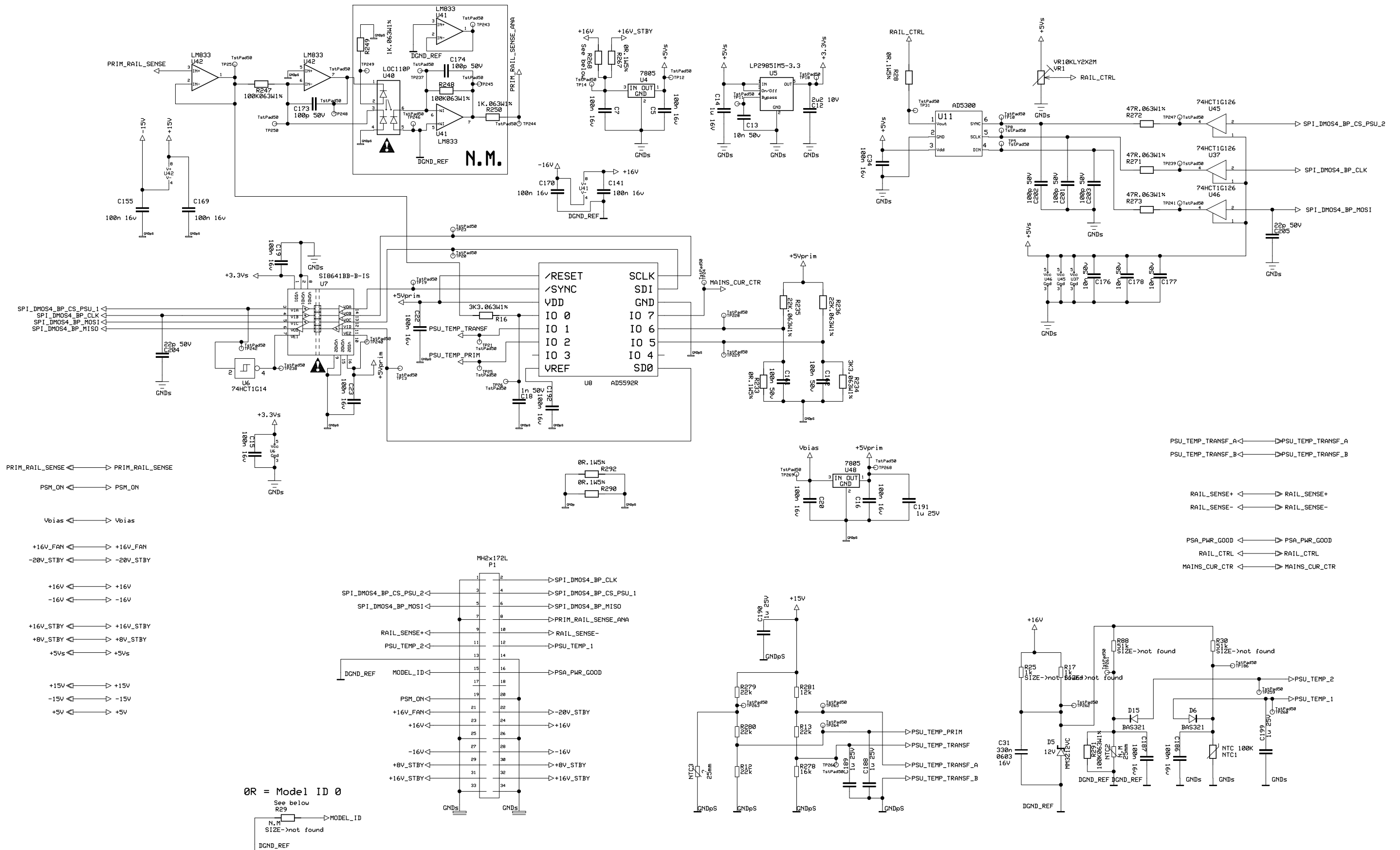


PFCEn\_LOW = PFC\_ON

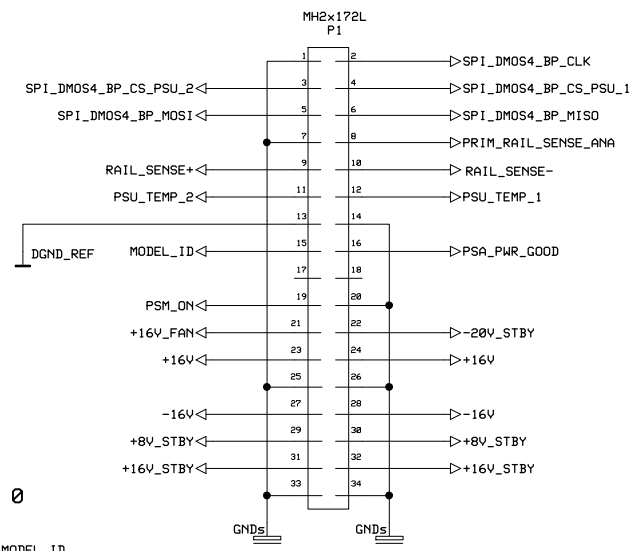
EN\_High = ON

\* D64 = Modification, no pads on pcb

DESIGN	DRAWN	CHECKED	<b>SP40PFC</b>  Auxiliary Power Supply	REPLACES	REPLACED BY
				DATE	PAGE
				DRAWING NO SP40PFC-08Be	



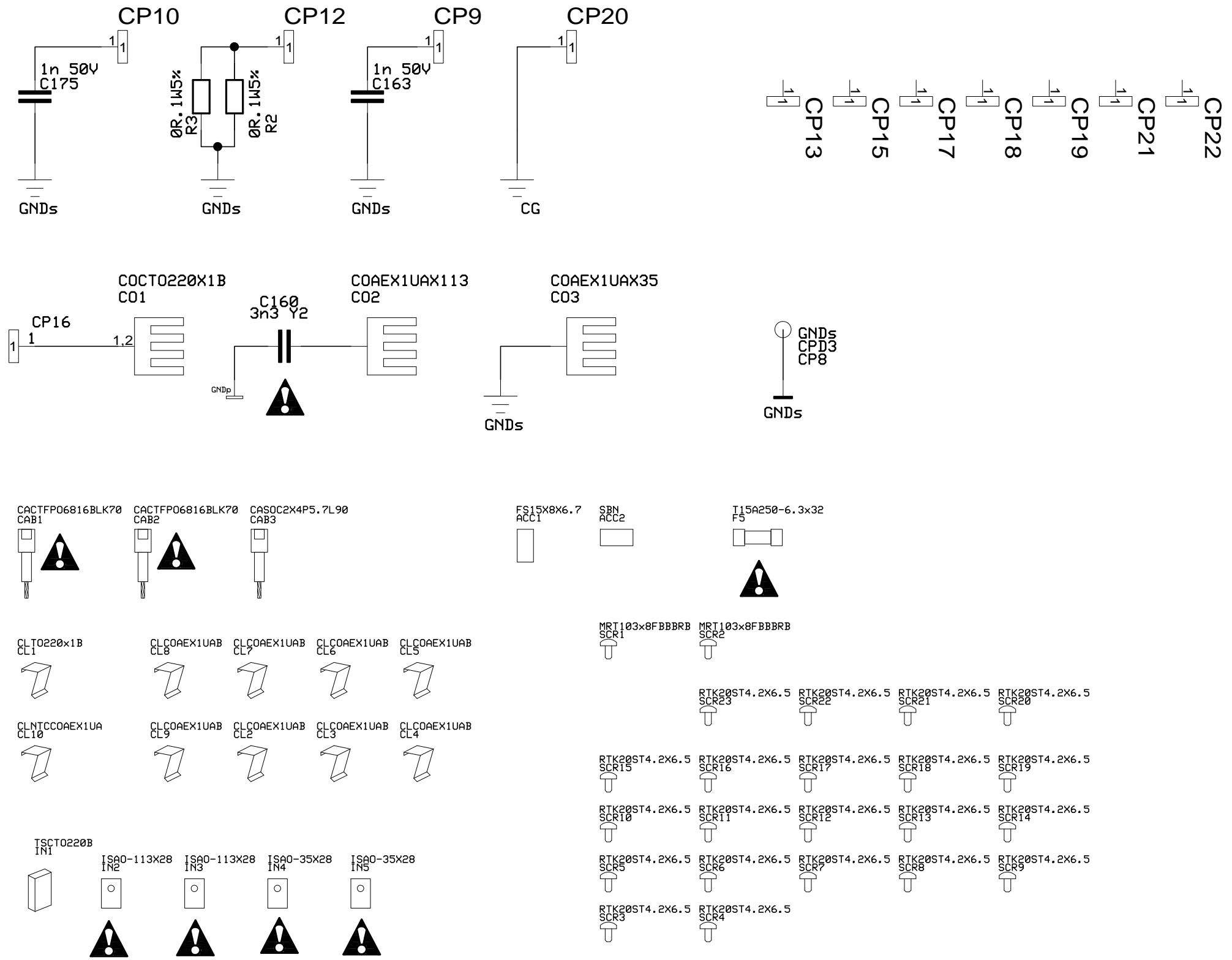
- PRIM\_RAIL\_SENSE <-> PRIM\_RAIL\_SENSE
- PSM\_ON <-> PSM\_ON
- Vbias <-> Vbias
- +16V\_FAN <-> +16V\_FAN
- 20V\_STBY <-> -20V\_STBY
- +16V <-> +16V
- 16V <-> -16V
- +16V\_STBY <-> +16V\_STBY
- +8V\_STBY <-> +8V\_STBY
- +5Vs <-> +5Vs
- +15V <-> +15V
- 15V <-> -15V
- +5V <-> +5V



- PSU\_TEMP\_TRANSF\_A <-> PSU\_TEMP\_TRANSF\_A
- PSU\_TEMP\_TRANSF\_B <-> PSU\_TEMP\_TRANSF\_B
- RAIL\_SENSE+ <-> RAIL\_SENSE+
- RAIL\_SENSE- <-> RAIL\_SENSE-
- PSA\_PWR\_GOOD <-> PSA\_PWR\_GOOD
- RAIL\_CTRL <-> RAIL\_CTRL
- MAINS\_CUR\_CTR <-> MAINS\_CUR\_CTR

DESIGN	DRAWN	CHECKED	<b>SP40PFC</b> Multi Pin Connector Sense and Control	REPLACES	REPLACED BY
				DATE	PAGE
				DRAWING NO SP40PFC-08Be	





DESIGN	DRAWN	CHECKED	<b>SP40PFC</b>	REPLACES	REPLACED BY
				<b>Accessories</b>	DATE
				DRAWING NO <b>SP40PFC-08Be</b>	