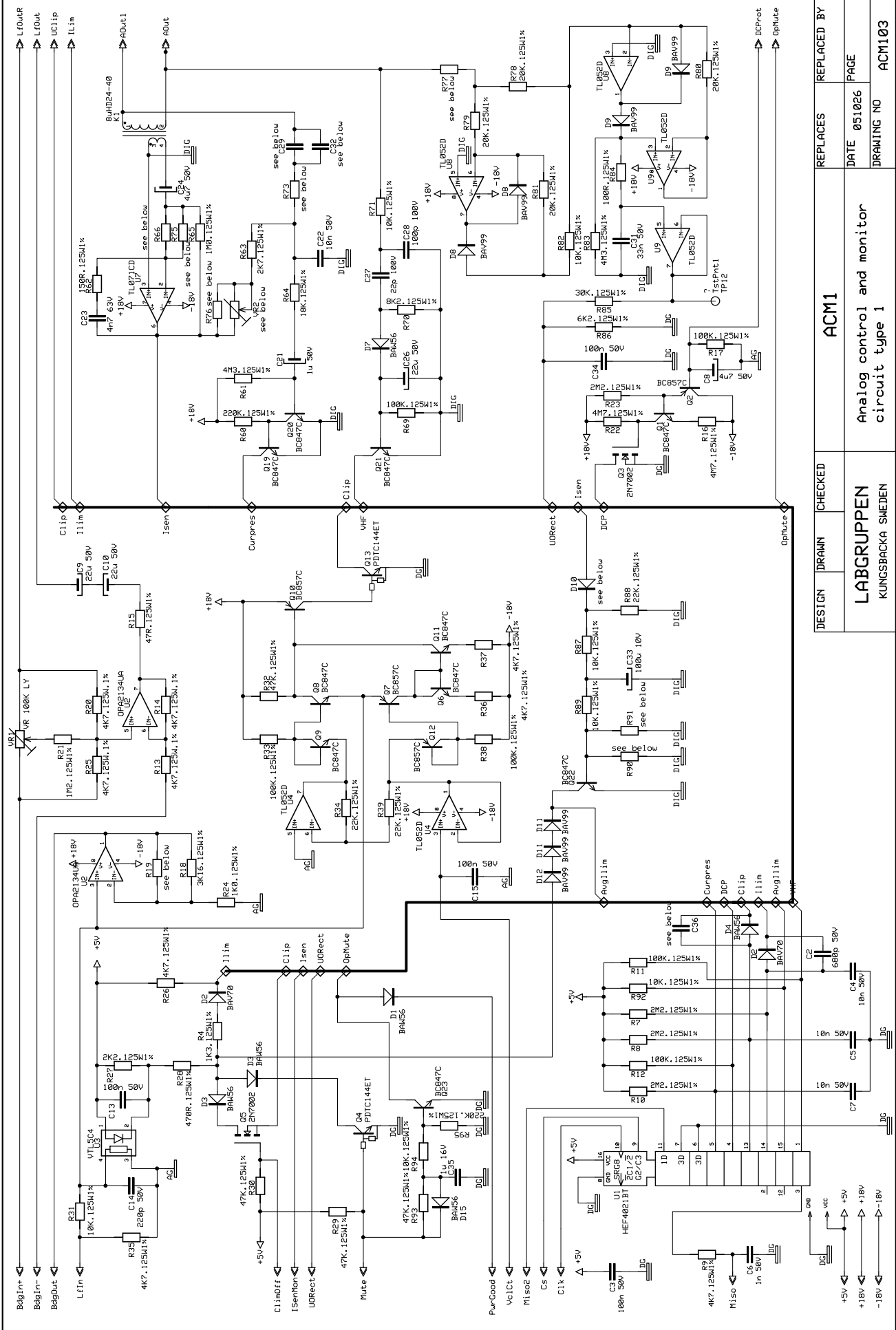
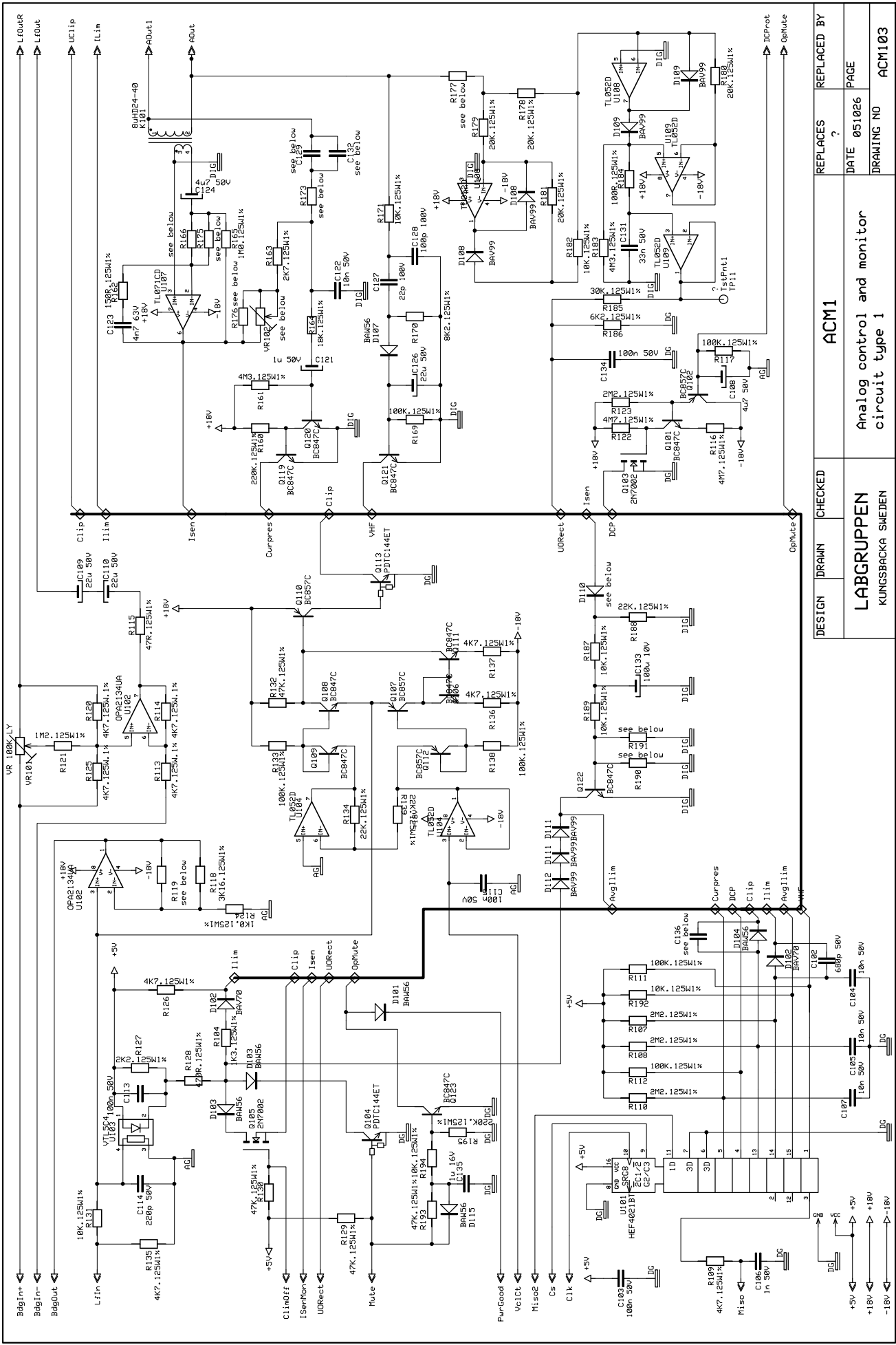


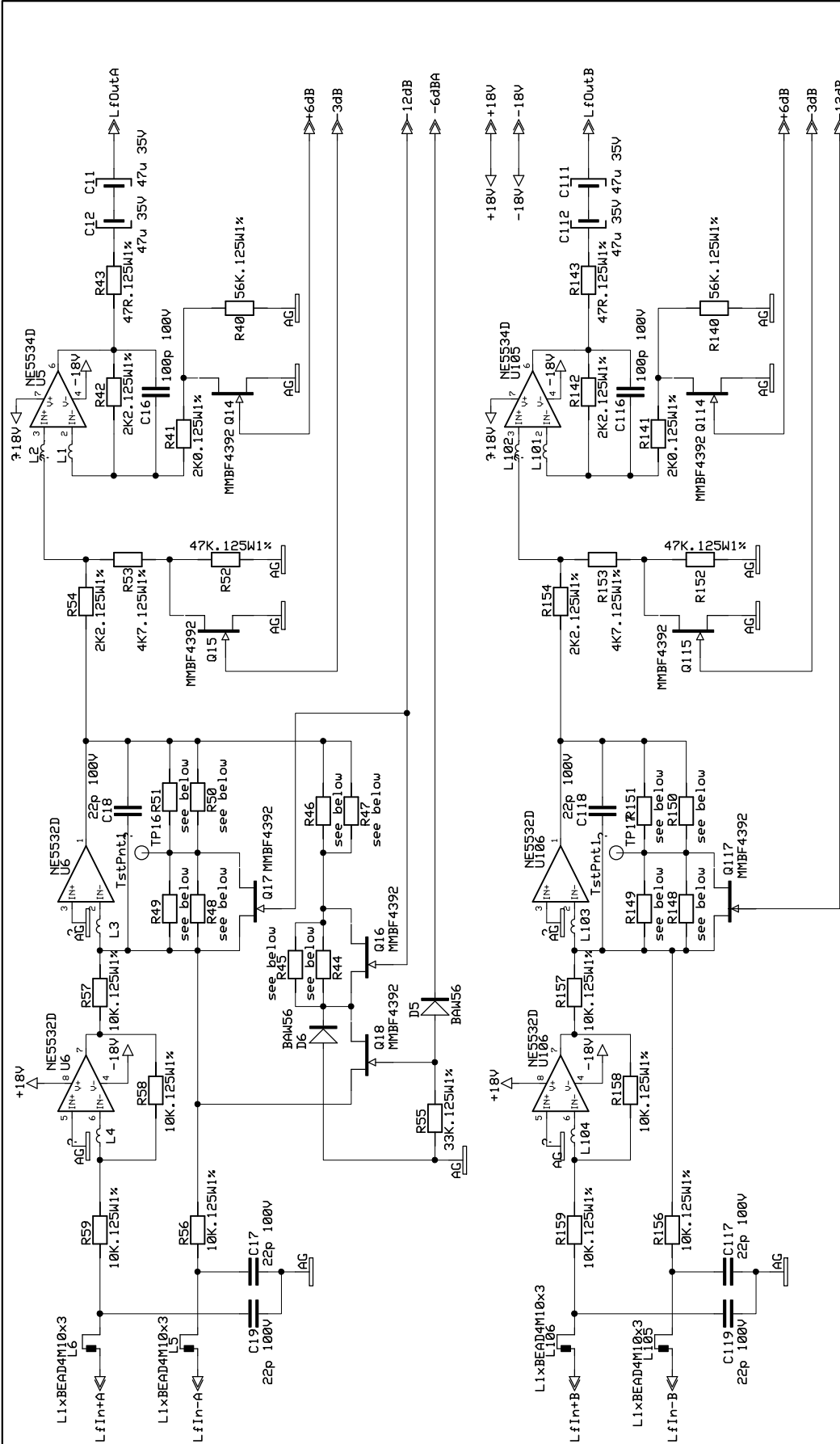
DESIGN	BRANN	CHECKED	AIC02	REPLACES BY
KA	KR/AM			9602E3
LABGRUPPEN				DATE
KUNGBACKS SIEDEN				961102
Analog Input, Control and Output				PAGE
2 channels				BRANNING NO
				AIC02095



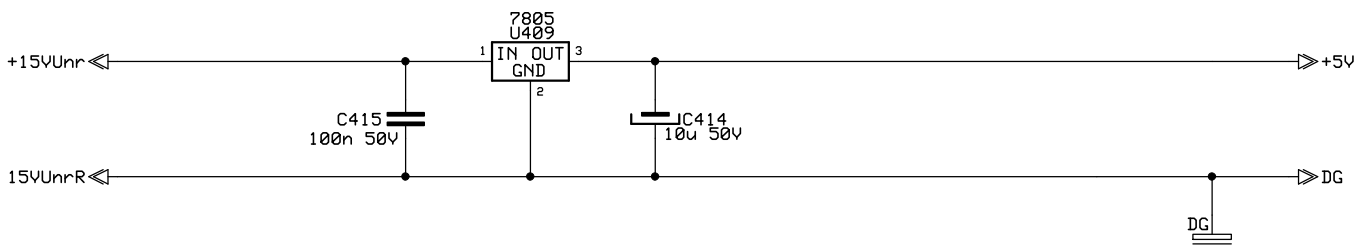
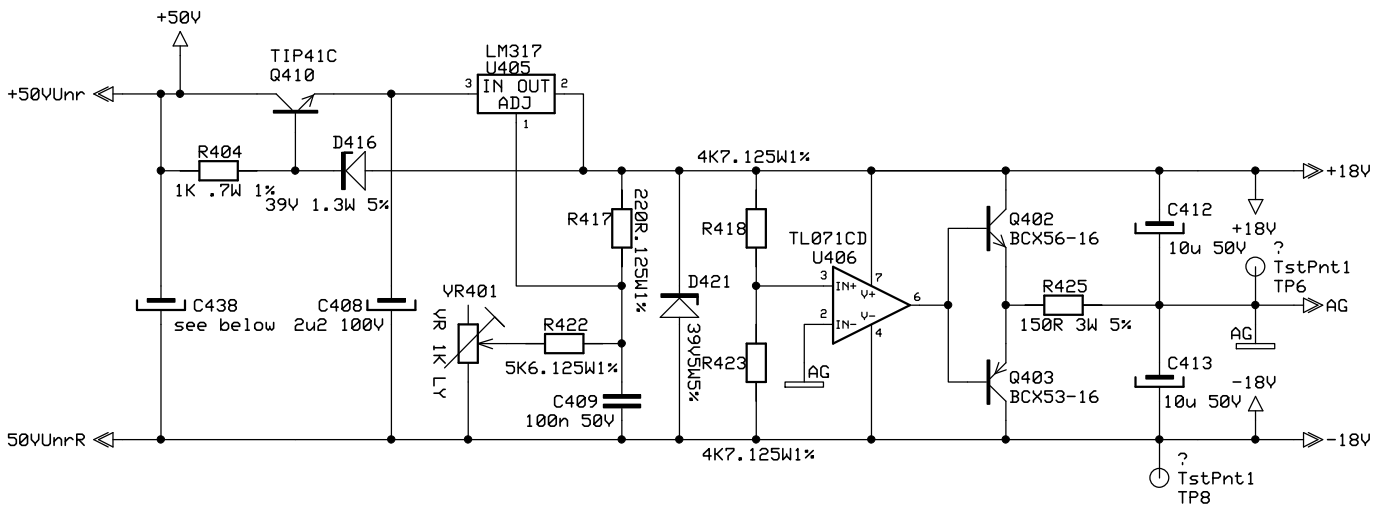
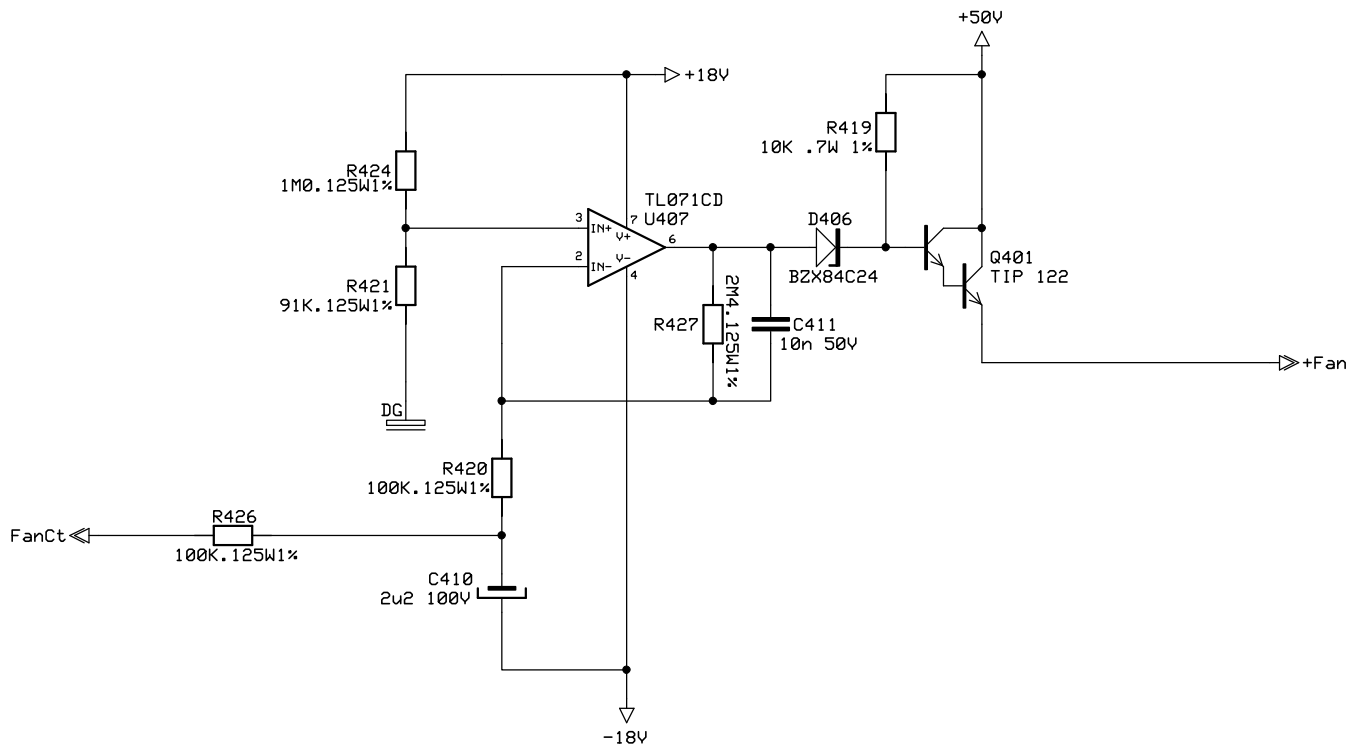
DESIGN	DRANN	CHECKED	ACM1	REPLACES	REPLACED BY
LABGRUPPEN				KUNGSBACKA SWEDEN	
Analog control and monitor				DATE	051026
circuit type 1				DRAWING NO	ACM103



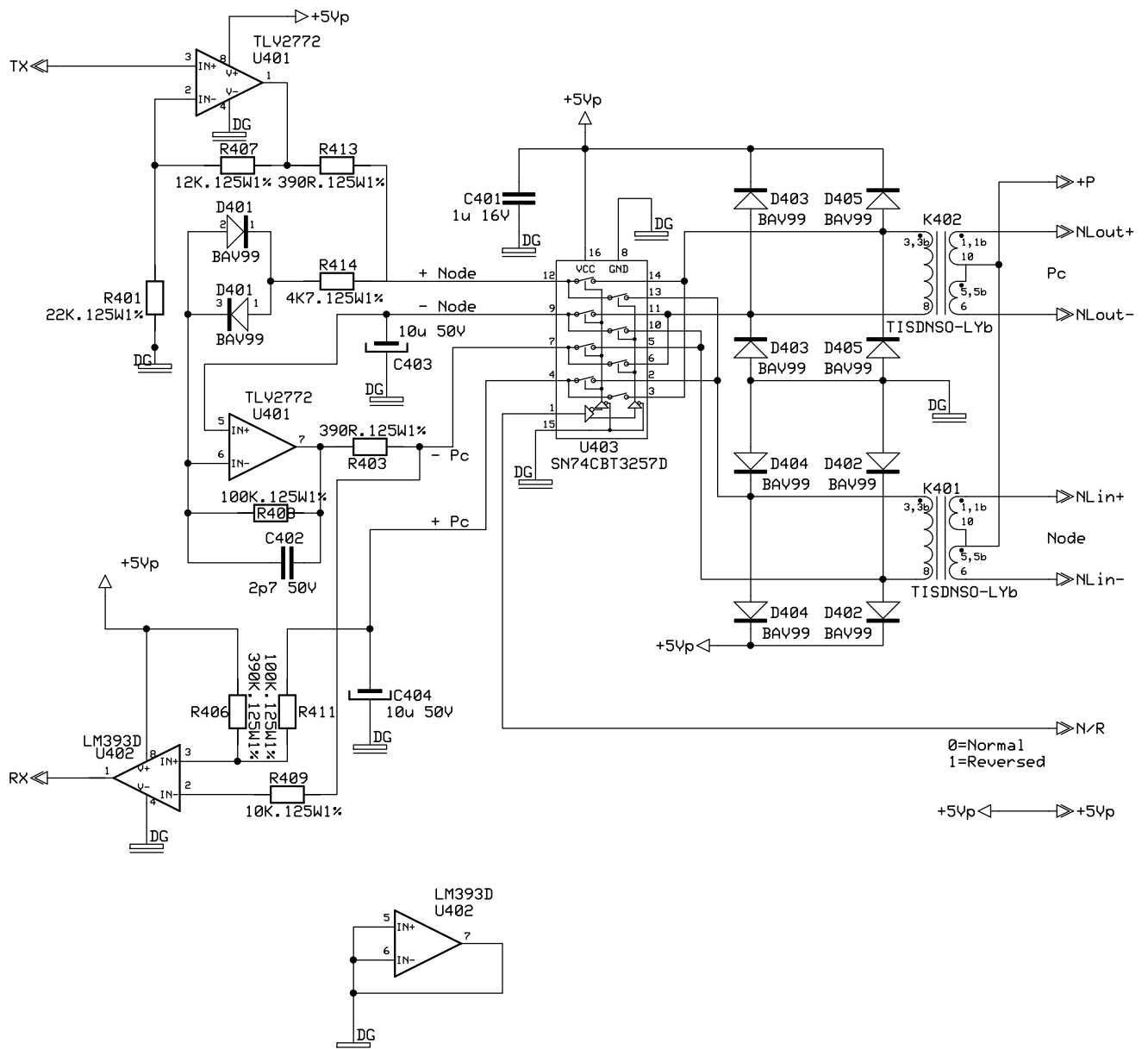
DESIGN	DRANN	CHECKED	REPLACES	REPLACED BY
LABGRUPPEN			?	
KUNGSBACKA SWEDEN				
ACM1			DATE	051026
Analog control and monitor			DRAWING NO	ACM103
circuit type 1				



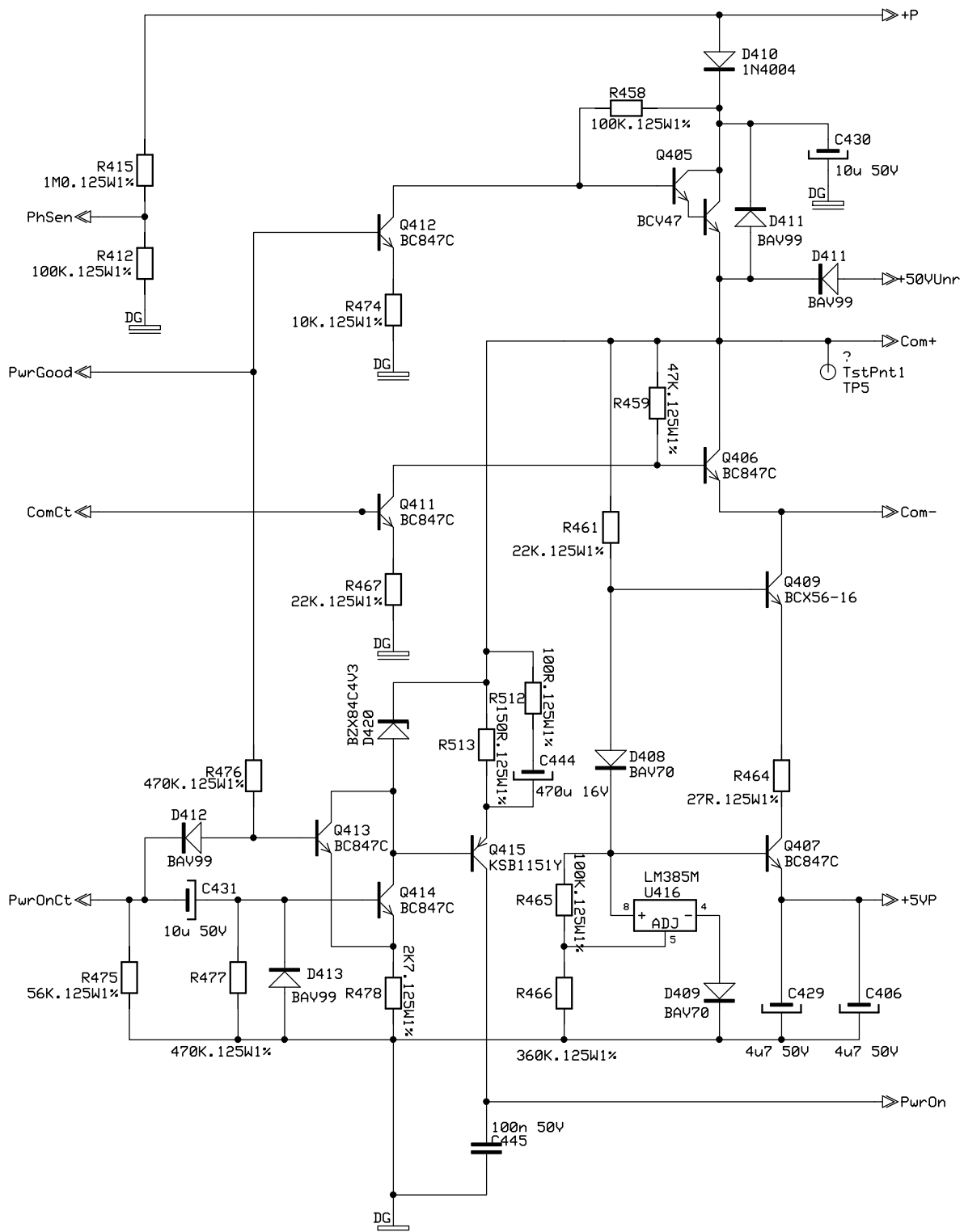
DESIGN KA	DRAWN	CHECKED	<b>AIG2B</b>		REPLACES	REPLACED BY
<b>LABGRUPPEN</b> KUNGSBACKA SWEDEN					DATE	PAGE
			Analogue Input, Gain switch 2-channel type B			DRAWING NO



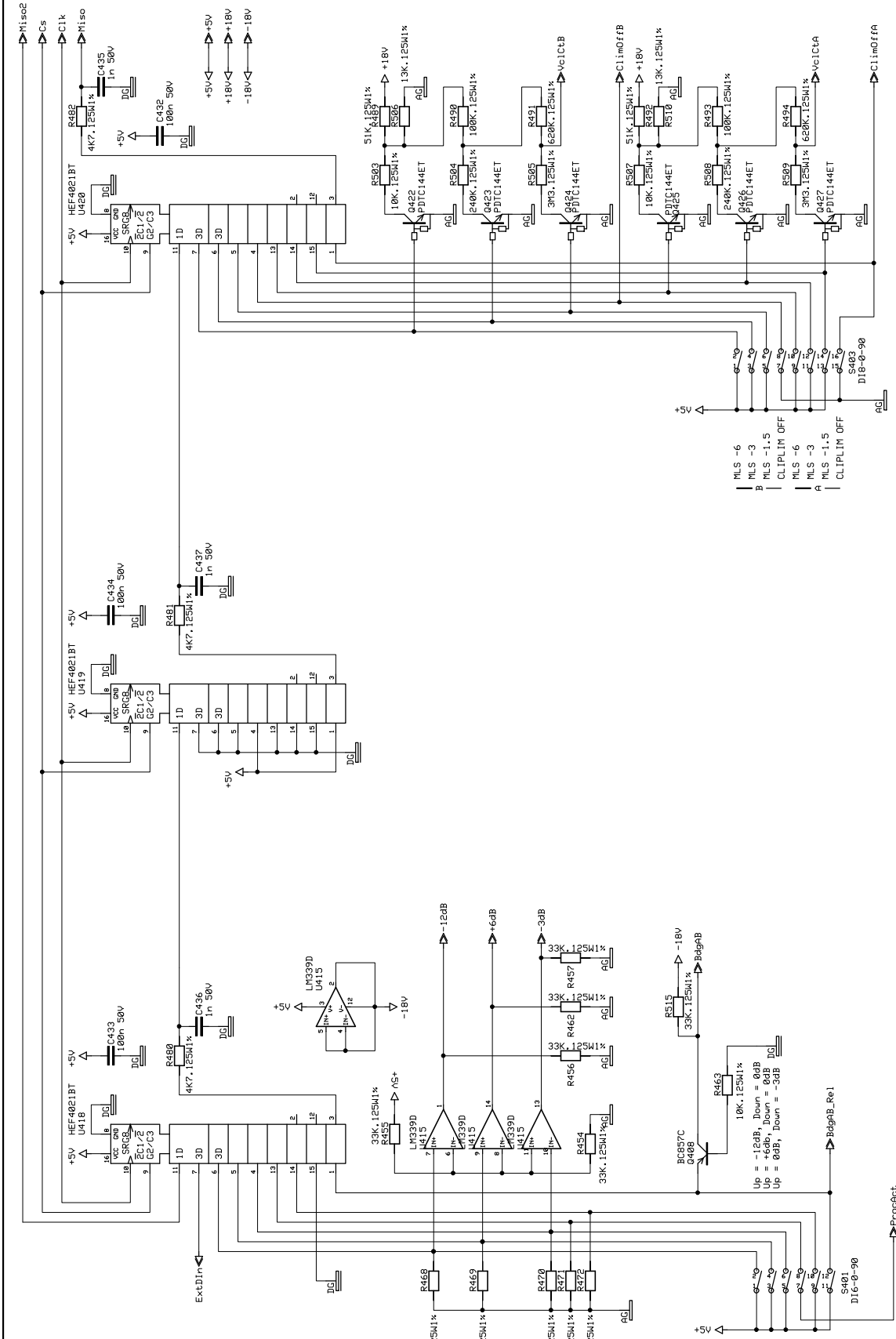
DESIGN KA	DRAWN	CHECKED	<b>LVPsC</b>	REPLACES	REPLACED BY
<b>LABGRUPPEN</b> KUNGSBACKA SWEDEN				Low voltage power supply type1	DATE 030128
				DRAWING NO	<b>LVPsB01</b>



DESIGN	DRAWN	CHECKED	<b>NLIB</b>	REPLACES	REPLACED BY
<b>LABGRUPPEN</b> KUNGSBACKA SWEDEN				DATE	PAGE
			Nomad link interface		



DESIGN KA	DRAWN	CHECKED	<b>NLIPs</b>	REPLACES	REPLACED BY
<b>LABGRUPPEN</b>				DATE 030128	PAGE
KUNGSBACKA SWEDEN			Nomad Link Interface Power Supply	DRAWING NO	NLIPs01



DESIGN	DRAWN	CHECKED	REPLACES	REPLACED BY
KA			PGSW2	
LABGRUPPEN			DATE	PAGE
KUNGSBACKA SWEDEN			DRAWING NO	PGSW201
			Power and Gain switch 2 channel	



