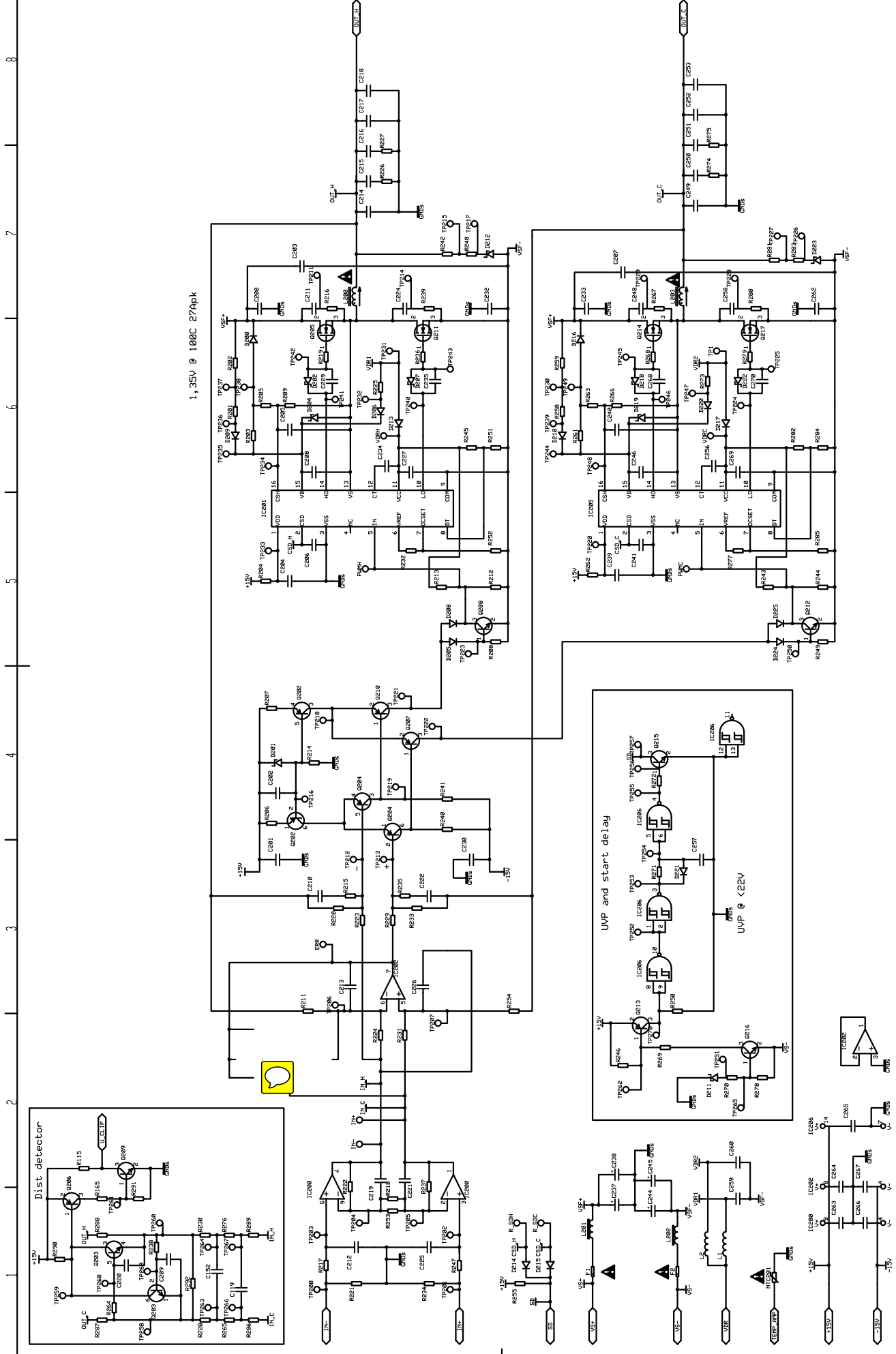


Designed by	SEHPABO	Checked by		Date	20120126	Size	A3
Lab. Gruppen AB				Filename		A11D-04Ab	
				Sheet			





1.35V @ 100C 27Apk